



US00D861856S

(12) **United States Design Patent**
Lin et al.

(10) **Patent No.:** **US D861,856 S**

(45) **Date of Patent:** **** Oct. 1, 2019**

(54) **MASK**

(71) Applicant: **MICROBASE TECHNOLOGY CORP.**, Taoyuan (TW)

(72) Inventors: **Chien-Hua Lin**, Taoyuan (TW);
Shao-Yi Huang, Taoyuan (TW);
Yu-Chung Hsu, Taoyuan (TW);
Kai-Yao Lo, Taoyuan (TW);
Chia-Chen Huang, Taoyuan (TW);
Chi-Shan Hung, Taoyuan (TW)

(73) Assignee: **MICROBASE TECHNOLOGY CORP.**, Taoyuan (TW)

(**) Term: **15 Years**

(21) Appl. No.: **29/650,937**

(22) Filed: **Jun. 11, 2018**

(30) **Foreign Application Priority Data**

Dec. 15, 2017 (TW) 106307377
Feb. 1, 2018 (TW) 107300655

(51) **LOC (12) Cl.** **29-02**

(52) **U.S. Cl.**
USPC **D24/110.1; D24/110.4**

(58) **Field of Classification Search**
USPC D24/108, 110, 110.1, 110.4, 110.5, 127,
D24/128, 164
CPC A61M 11/005; A61M 15/0085; A61M
11/02; A61M 11/00; A61M 16/14; A61M
11/04; A61M 15/009; A61M 11/06;
A61M 16/06

See application file for complete search history.

(56) **References Cited**

FOREIGN PATENT DOCUMENTS

CN 304700984 S 6/2018
JP D1121613 9/2001
TW D192285 S 8/2018

Primary Examiner — Lilyana Bekic

(74) *Attorney, Agent, or Firm* — Li & Cai Intellectual Property (USA) Office

(57) **CLAIM**

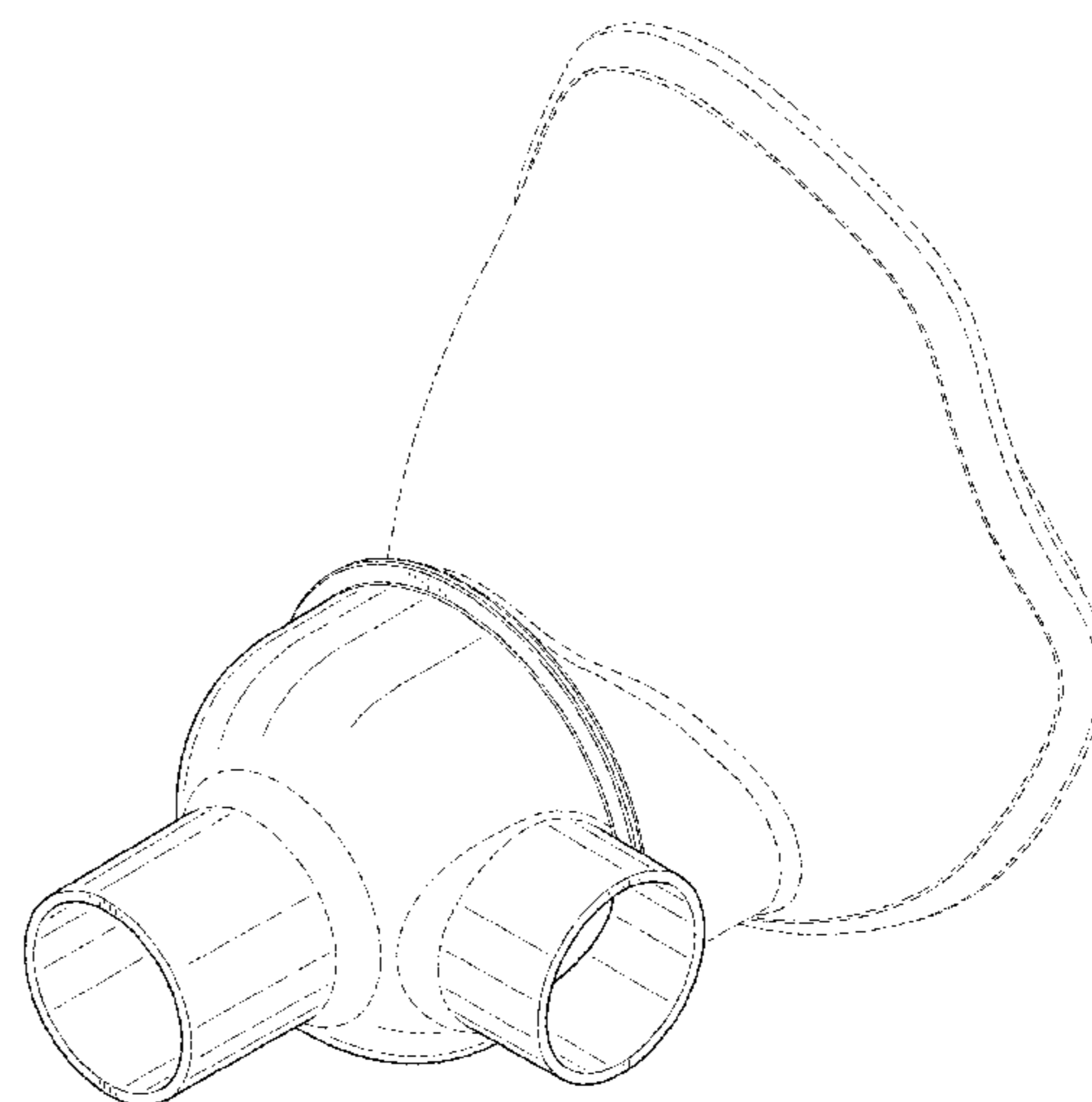
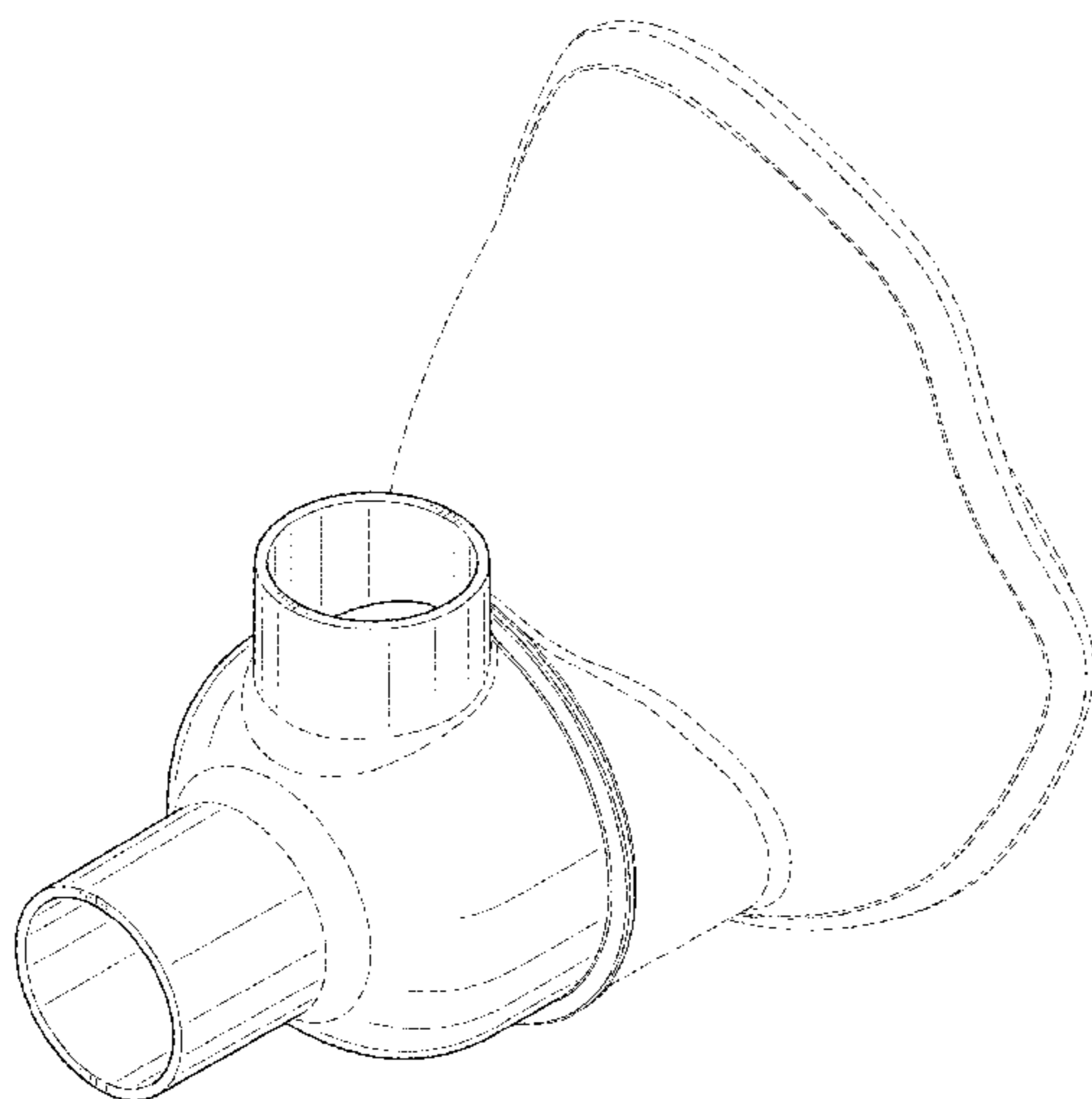
The ornamental design for a mask, as shown and described.

DESCRIPTION

FIG. 1 is a front, top, and right side perspective view of a mask showing our new design;
FIG. 2 is a front elevational view thereof;
FIG. 3 is a rear elevational view thereof;
FIG. 4 is a left side elevational side view thereof;
FIG. 5 is a right side elevational side view thereof;
FIG. 6 is a top plan view thereof;
FIG. 7 is a bottom plan view thereof;
FIG. 8 is a rear, bottom, right side perspective view thereof;
FIG. 9 is a front, top, and right side perspective view showing that a front portion of the mask is at a left rotation position; and,
FIG. 10 is a front, top, and right side perspective view showing that the front portion of the mask is at a right rotation position.

The broken lines in the drawings depict portions of the mask that form no part of the claimed design.

1 Claim, 10 Drawing Sheets



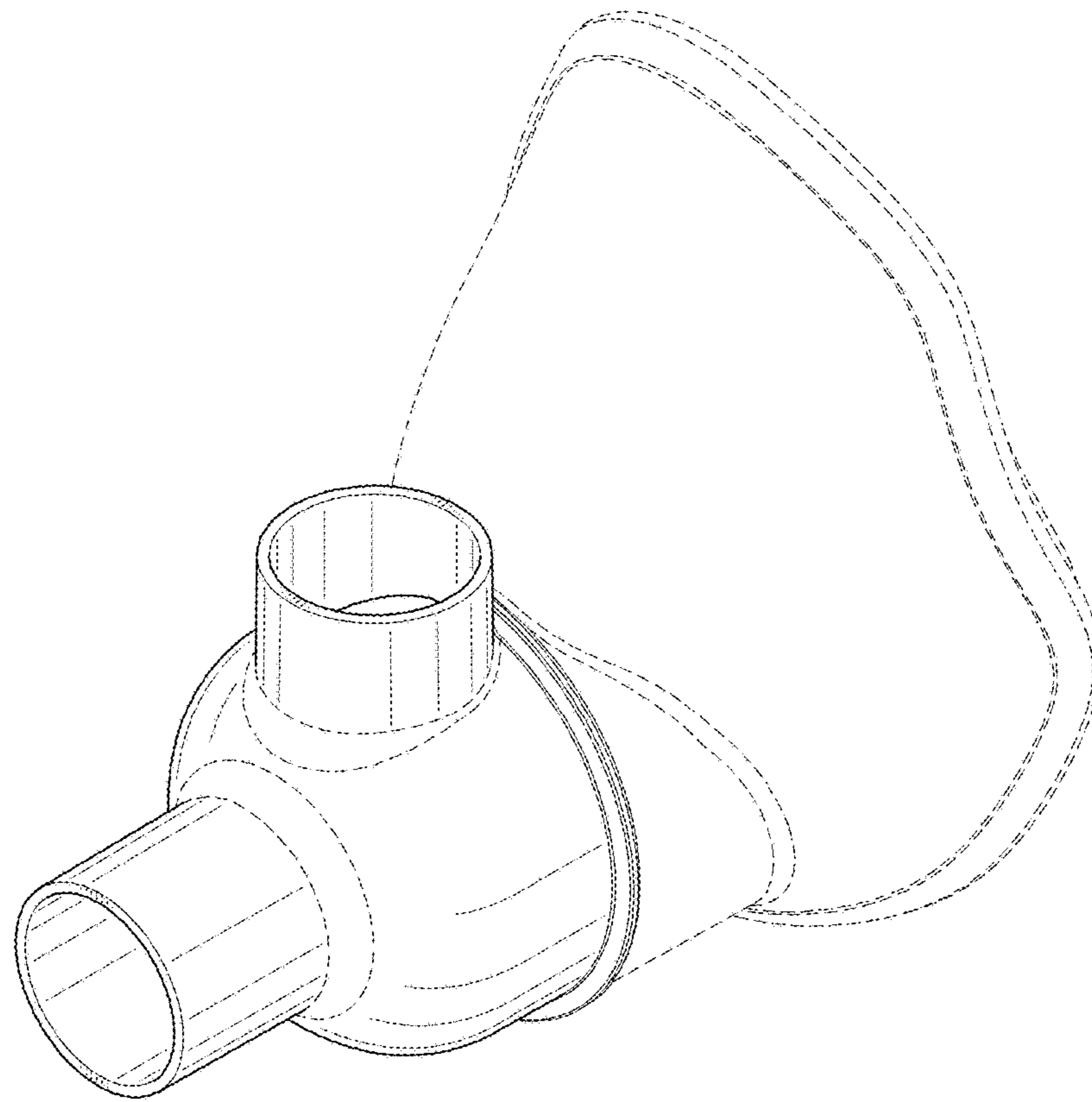


FIG. 1

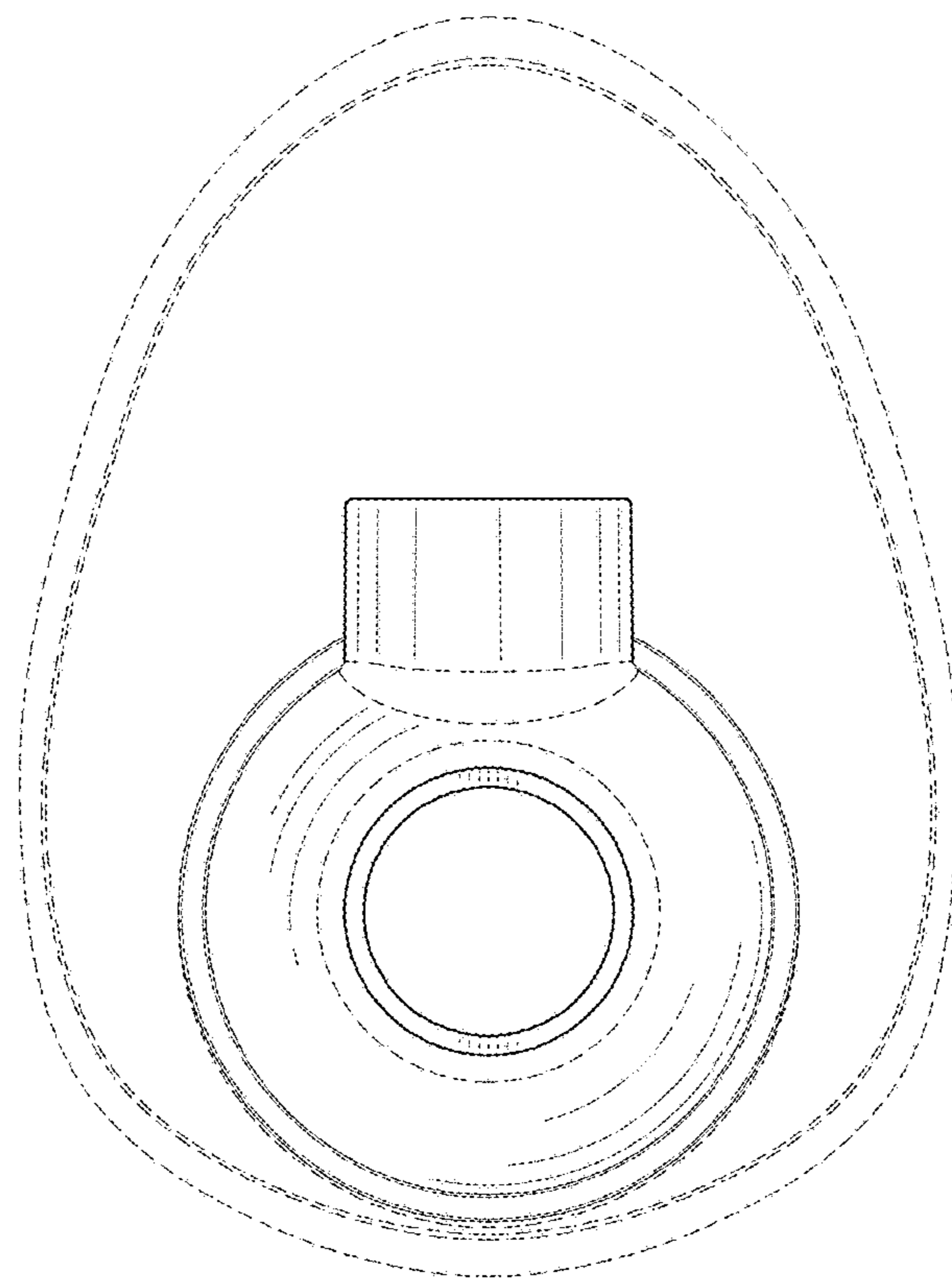


FIG. 2

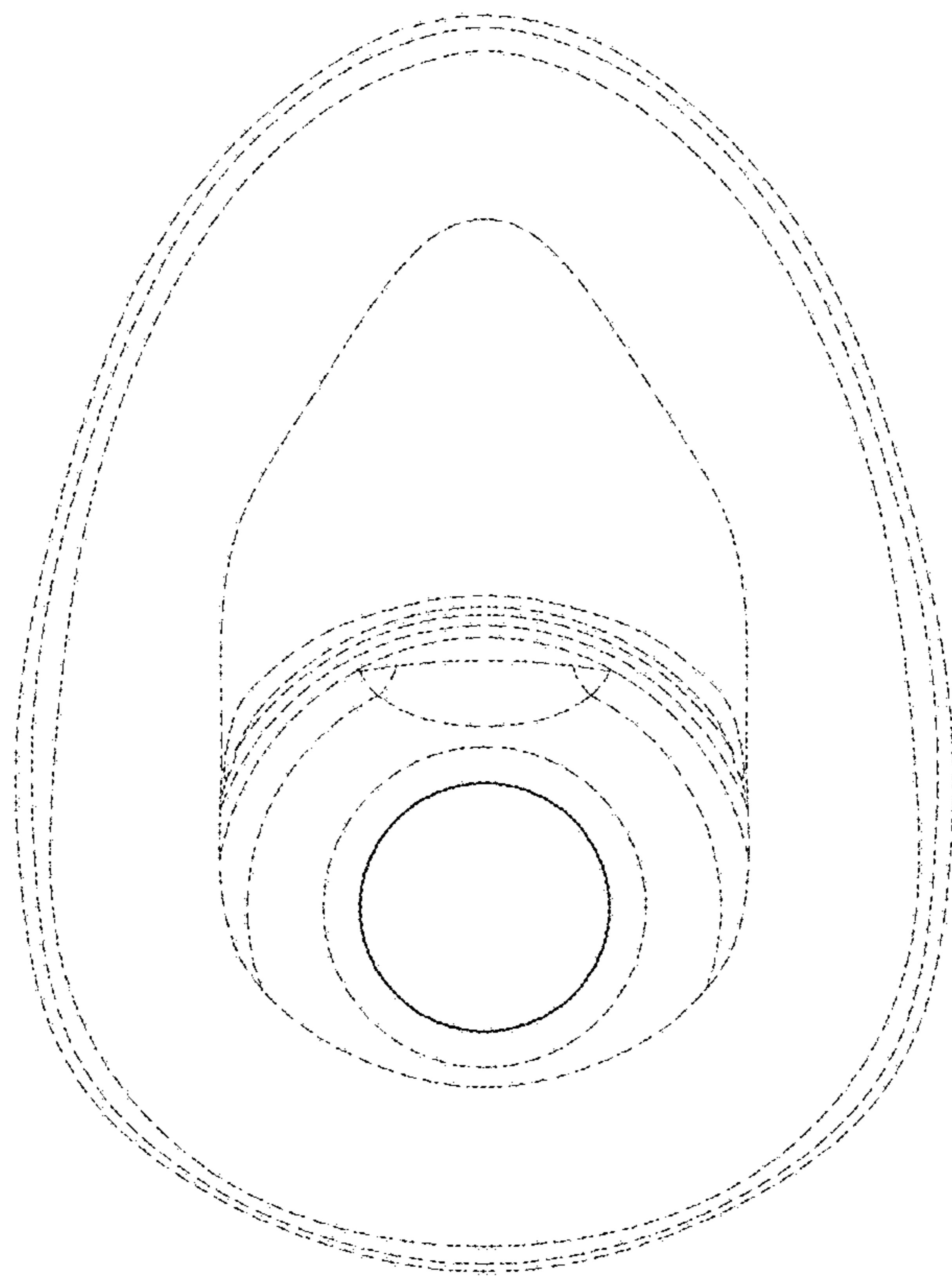


FIG. 3

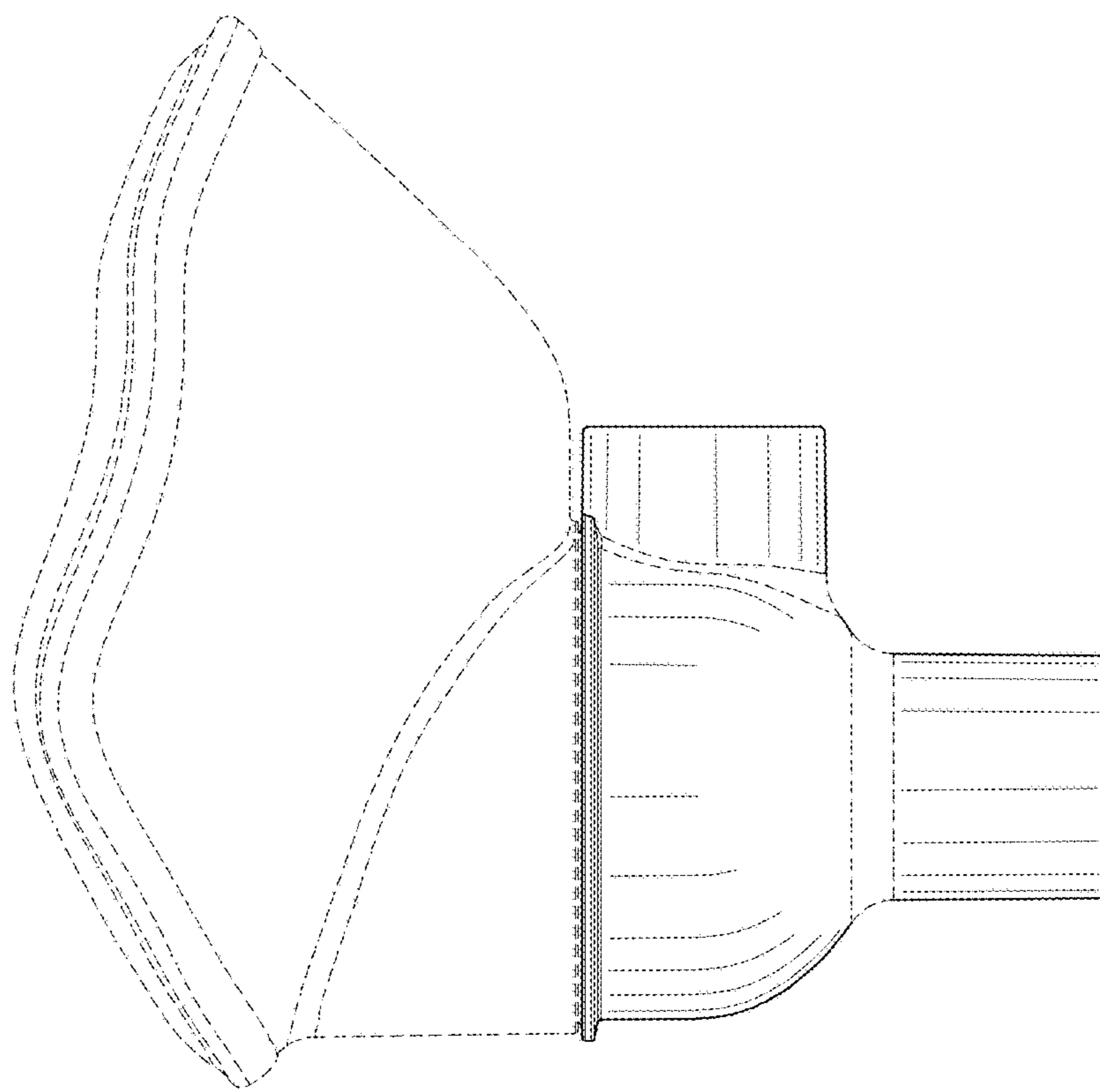


FIG. 4

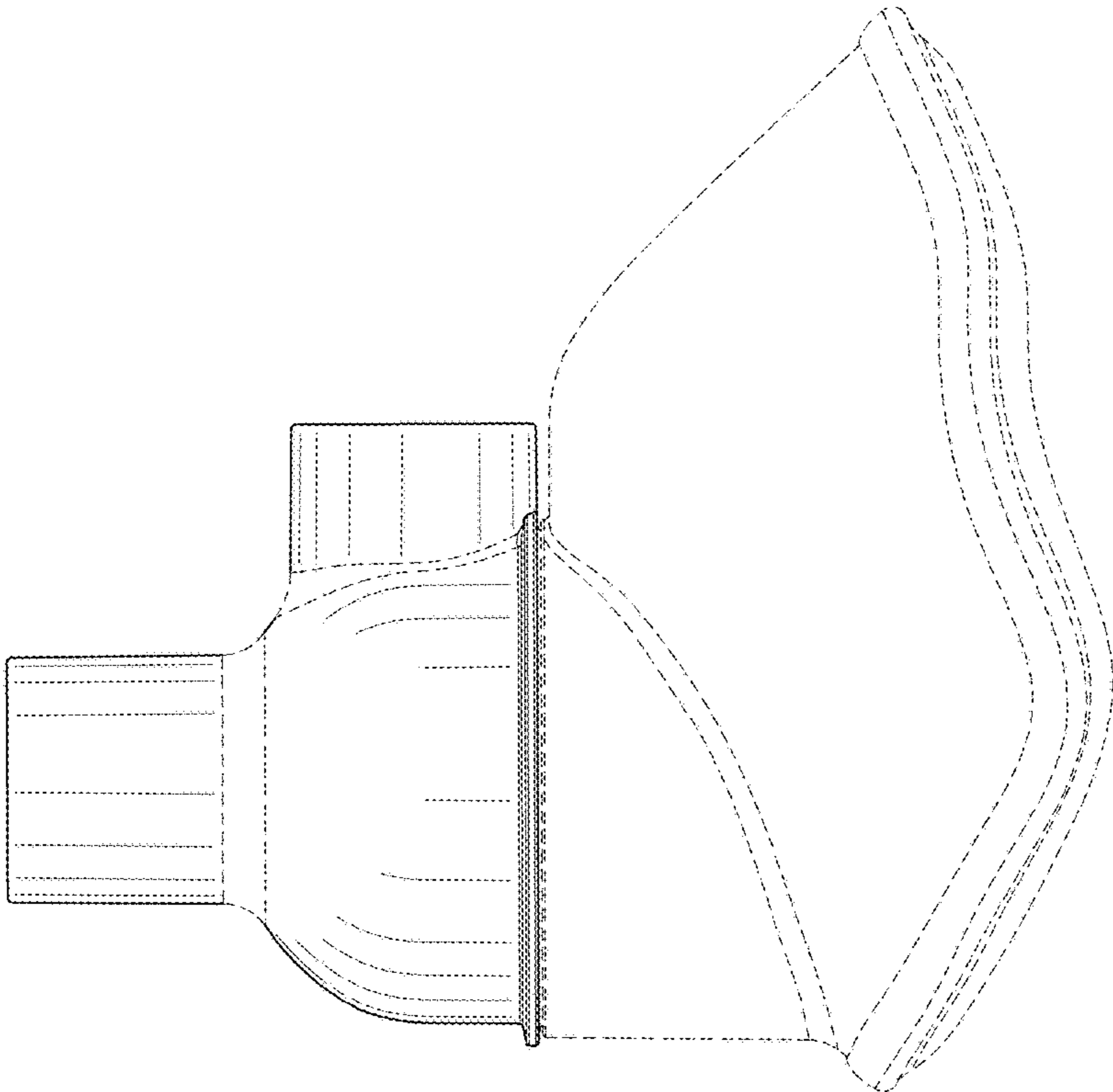


FIG. 5

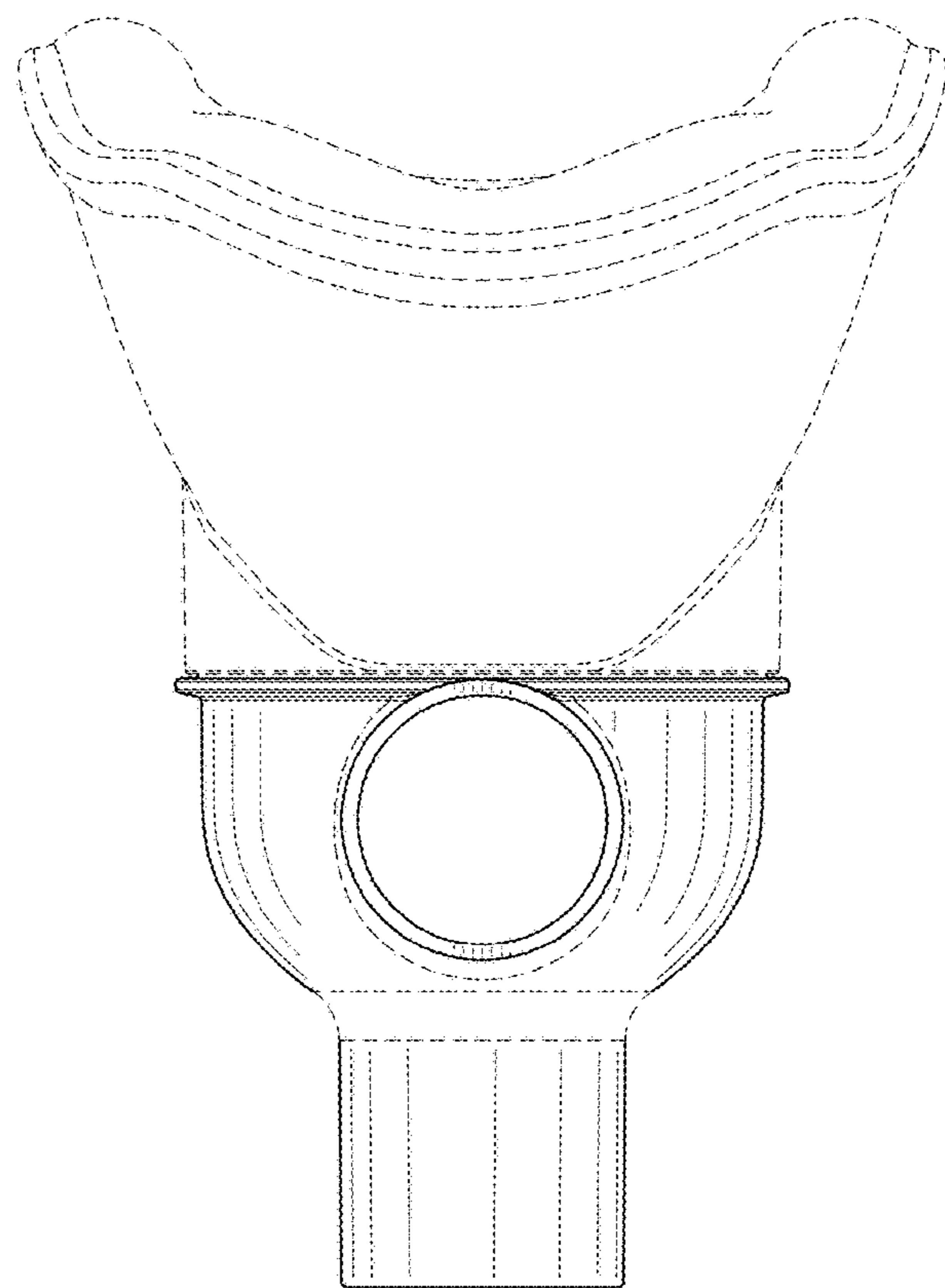


FIG. 6

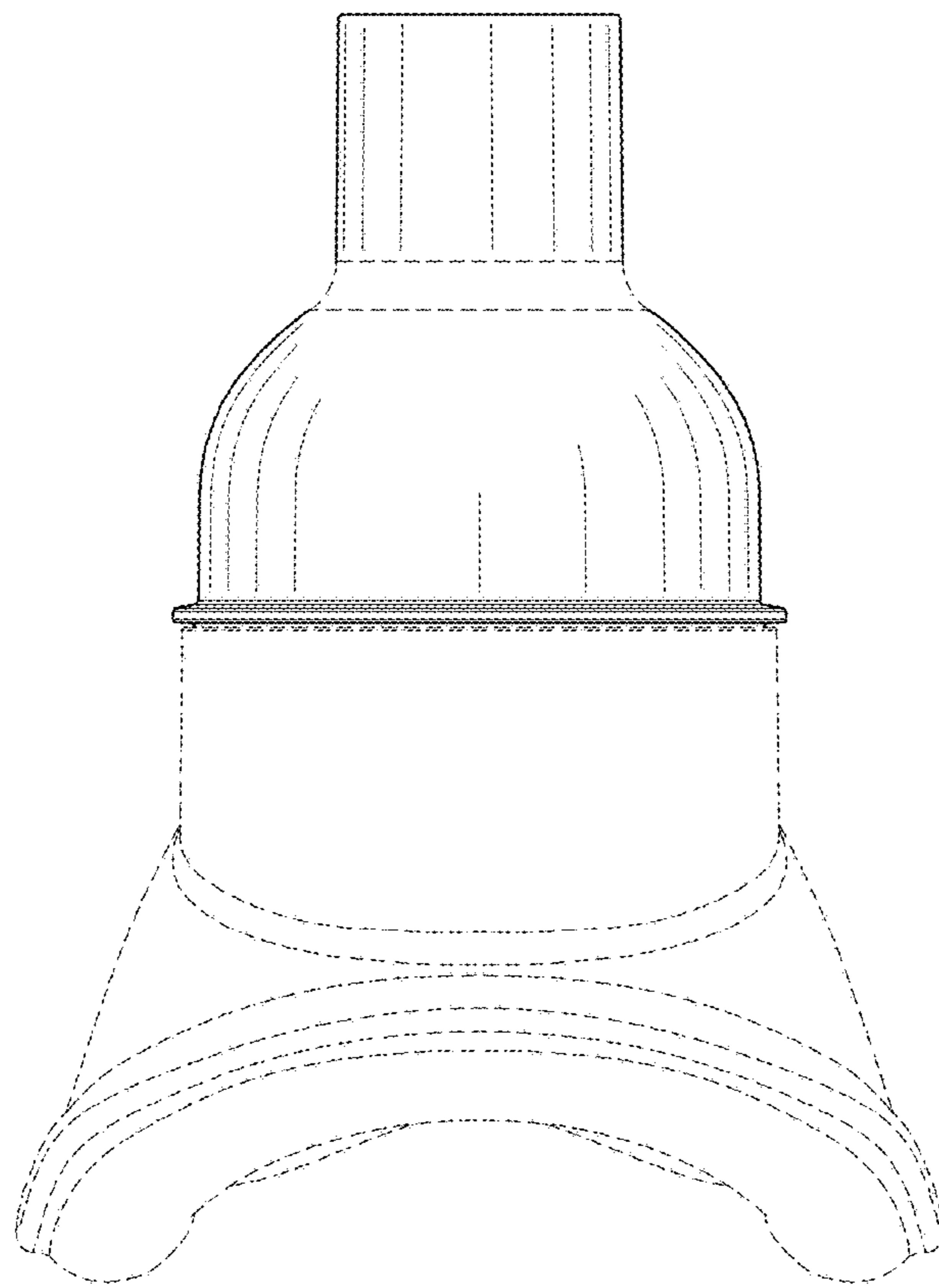


FIG. 7

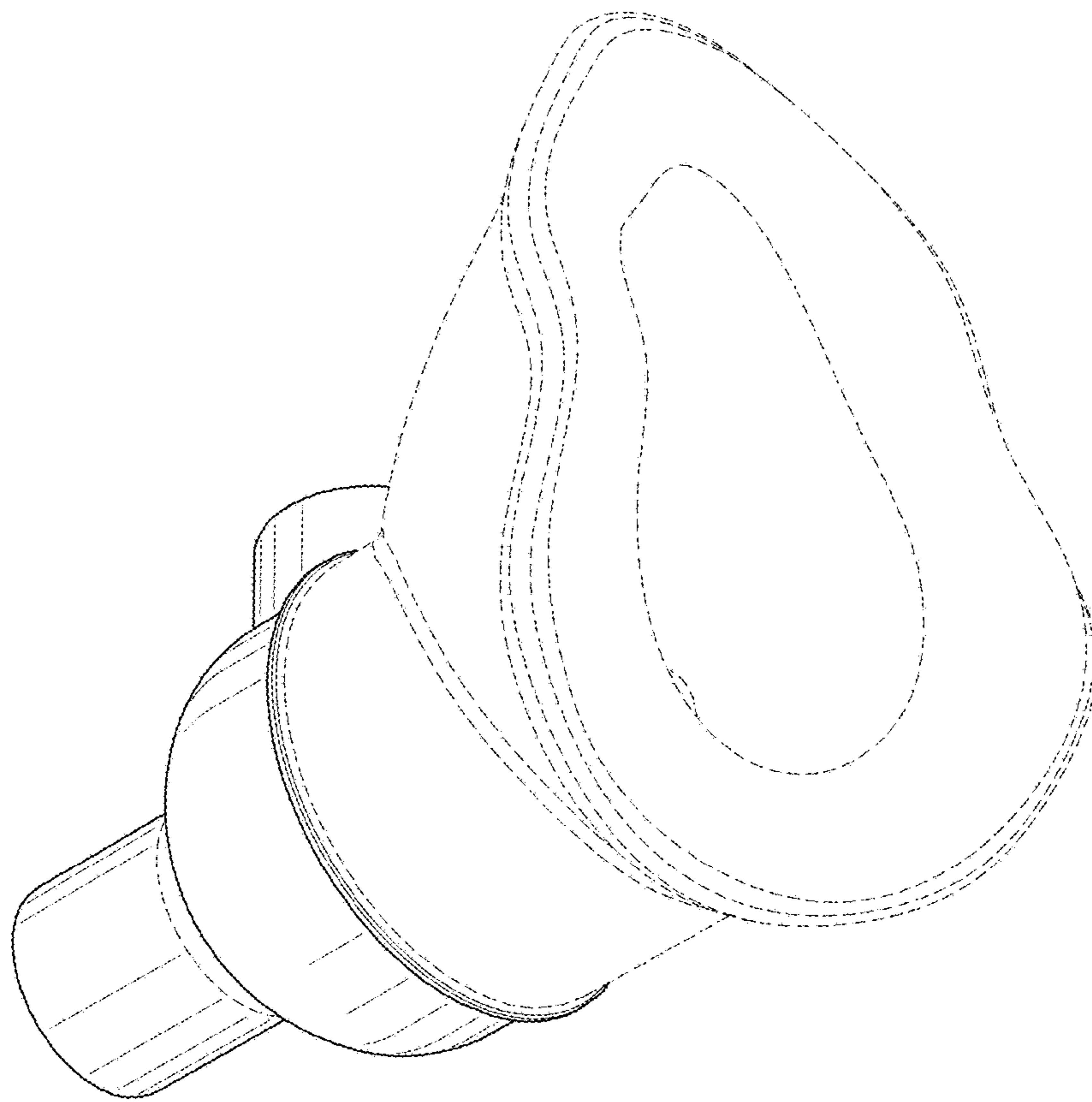


FIG. 8

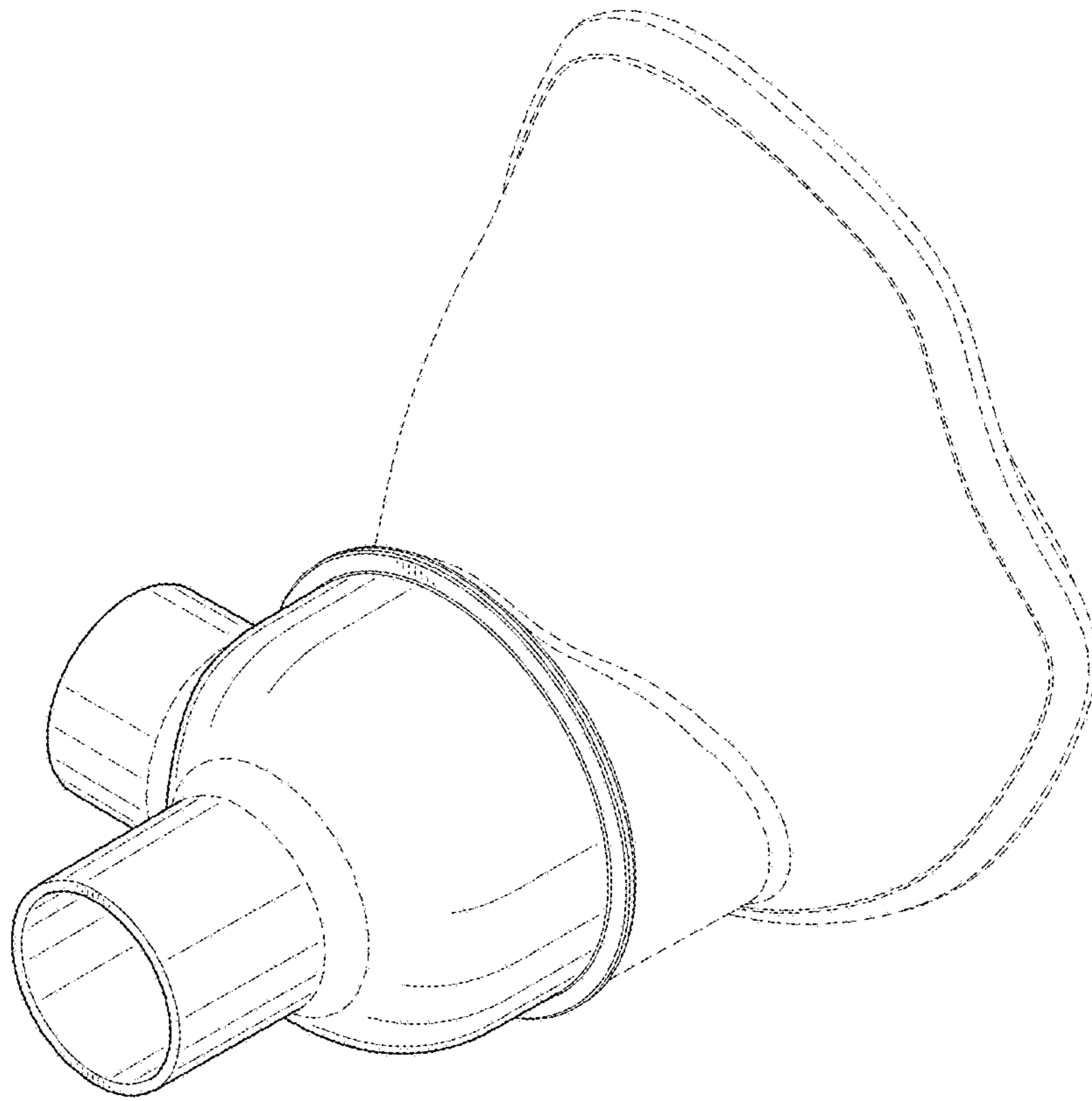


FIG. 9

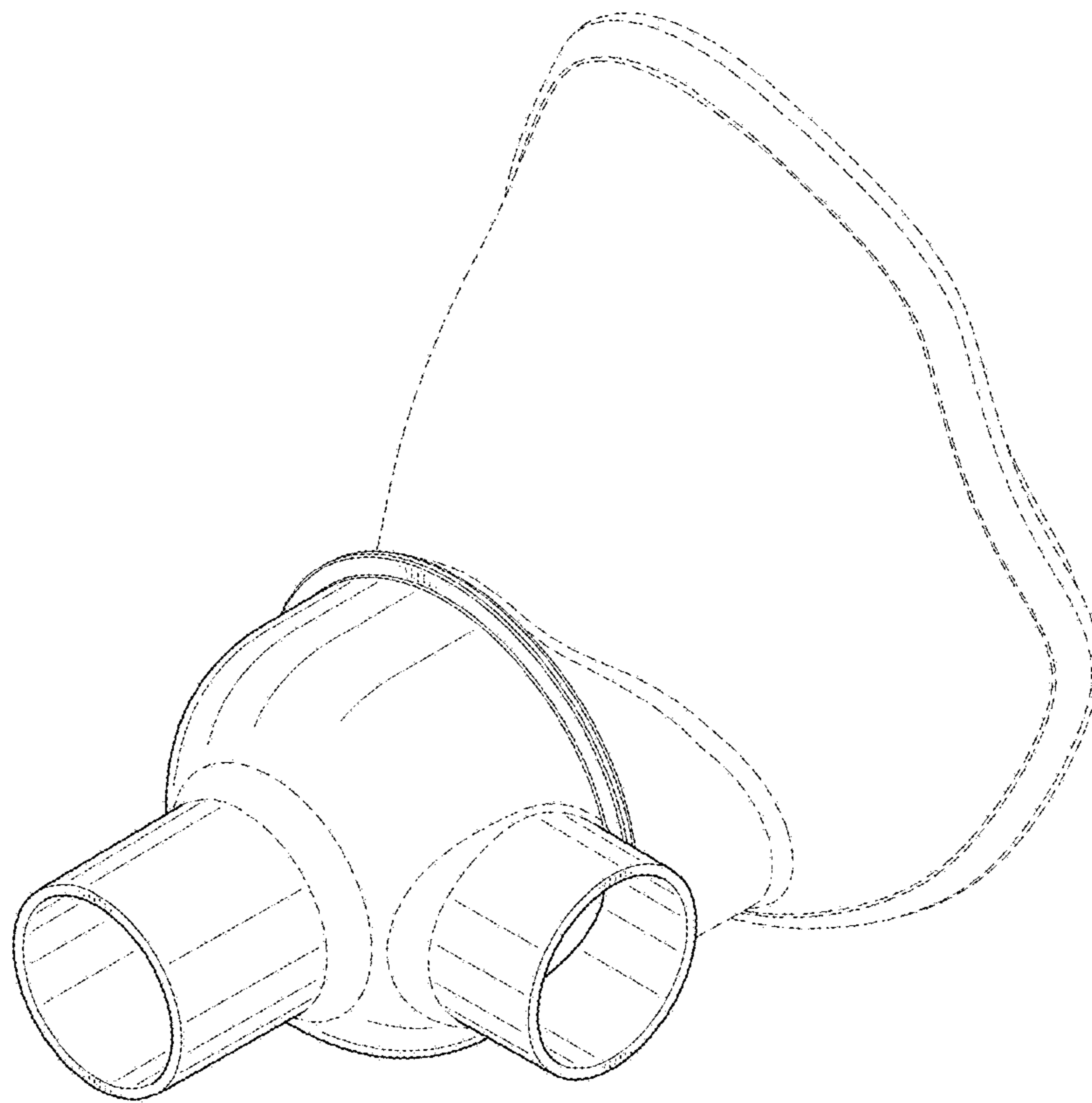


FIG. 10