



US00D861855S

(12) **United States Design Patent** (10) **Patent No.:** **US D861,855 S**
Cegla (45) **Date of Patent:** **** Oct. 1, 2019**

(54) **INHALER** 7,418,962 B1 * 9/2008 Rao A61M 15/0086
128/200.14
(71) Applicant: **R. CEGLA GMBH & CO. KG,** D657,463 S * 4/2012 Becker D24/138
Montabaur (DE) 8,251,876 B2 * 8/2012 Boerst A63B 21/00196
128/203.12
(72) Inventor: **Ulrich Cegla,** Montabaur (DE) 2004/0025873 A1 * 2/2004 Padgett A61M 16/0463
128/203.12
(73) Assignee: **R. CEGLA GMBH & CO. KG,** 2008/0078383 A1 * 4/2008 Richards A61M 16/08
Montabaur (DE) 128/203.12
2008/0087279 A1 * 4/2008 Tieck A61M 15/0086
128/200.23
(**) Term: **15 Years** 2012/0247460 A1 * 10/2012 Stenzler A61M 15/0086
128/203.12

(21) Appl. No.: **35/502,889**

(22) Filed: **Oct. 24, 2016**

(80) **Hague Agreement Data**

Int. Filing Date: **Oct. 24, 2016**
Int. Reg. No.: **DM/094673**
Int. Reg. Date: **Oct. 24, 2016**
Int. Reg. Pub. Date: **Apr. 28, 2017**

(30) **Foreign Application Priority Data**

May 4, 2016 (EM) 003109909-0002

(51) **LOC (12) Cl.** **29-02**

(52) **U.S. Cl.**
USPC **D24/110**

(58) **Field of Classification Search**
USPC D24/110, 133, 137, 138, 110.5, 110.6
CPC A61M 15/009; A61M 2202/0007; A61M
15/0065; A61M 15/0091; A61M 11/00;
A61M 15/0086; A61M 2205/586; A61M
15/002; A61M 2205/3331
See application file for complete search history.

(56) **References Cited**

U.S. PATENT DOCUMENTS

D260,933 S * 9/1981 Reichl D23/360
5,012,803 A * 5/1991 Foley A61M 15/0086
128/200.14

* cited by examiner

Primary Examiner — Eliza Z Bennett-Hattan

(74) *Attorney, Agent, or Firm* — Baker & McKenzie

(57) **CLAIM**

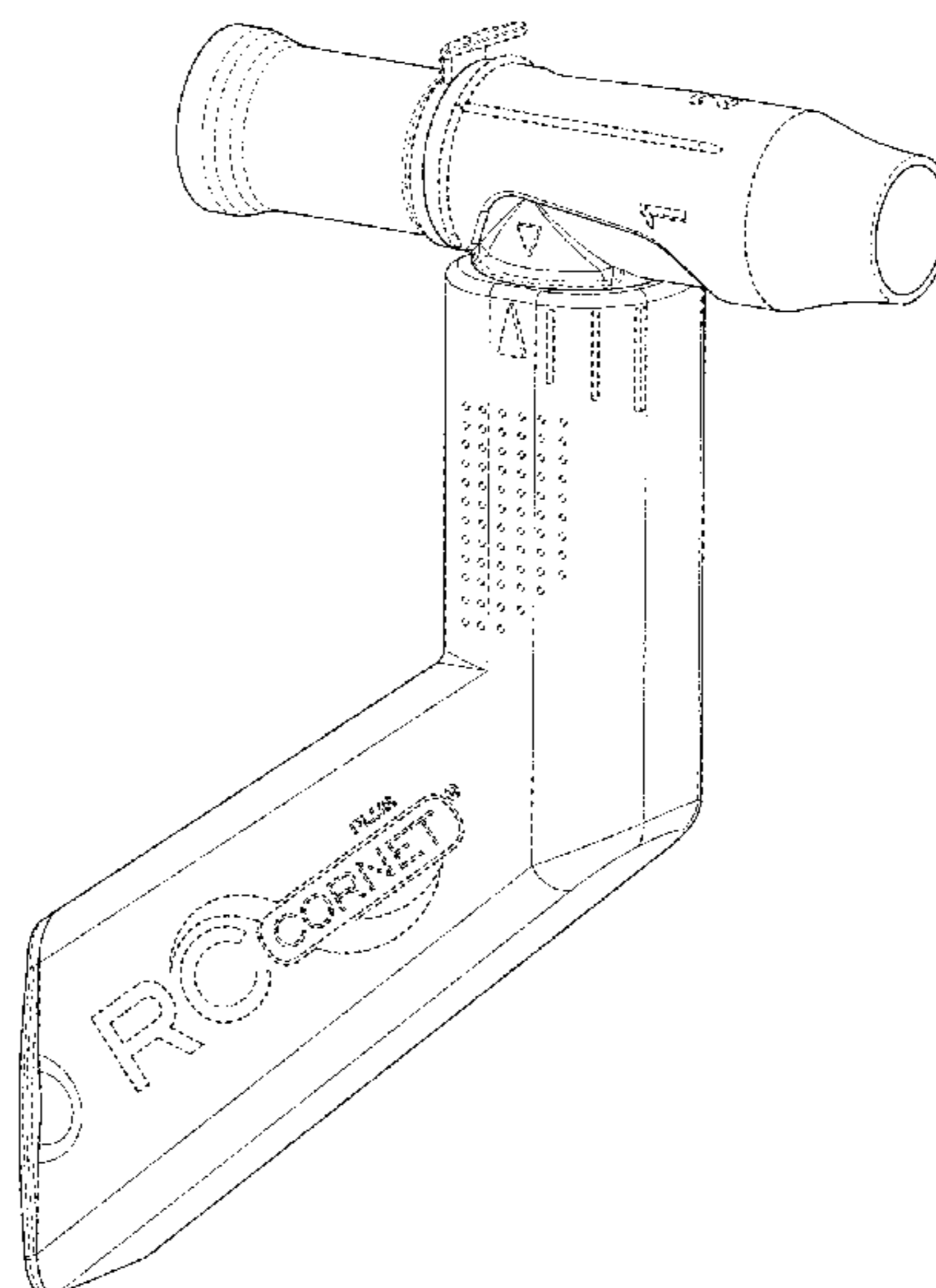
The ornamental design for an inhaler, as shown and described.

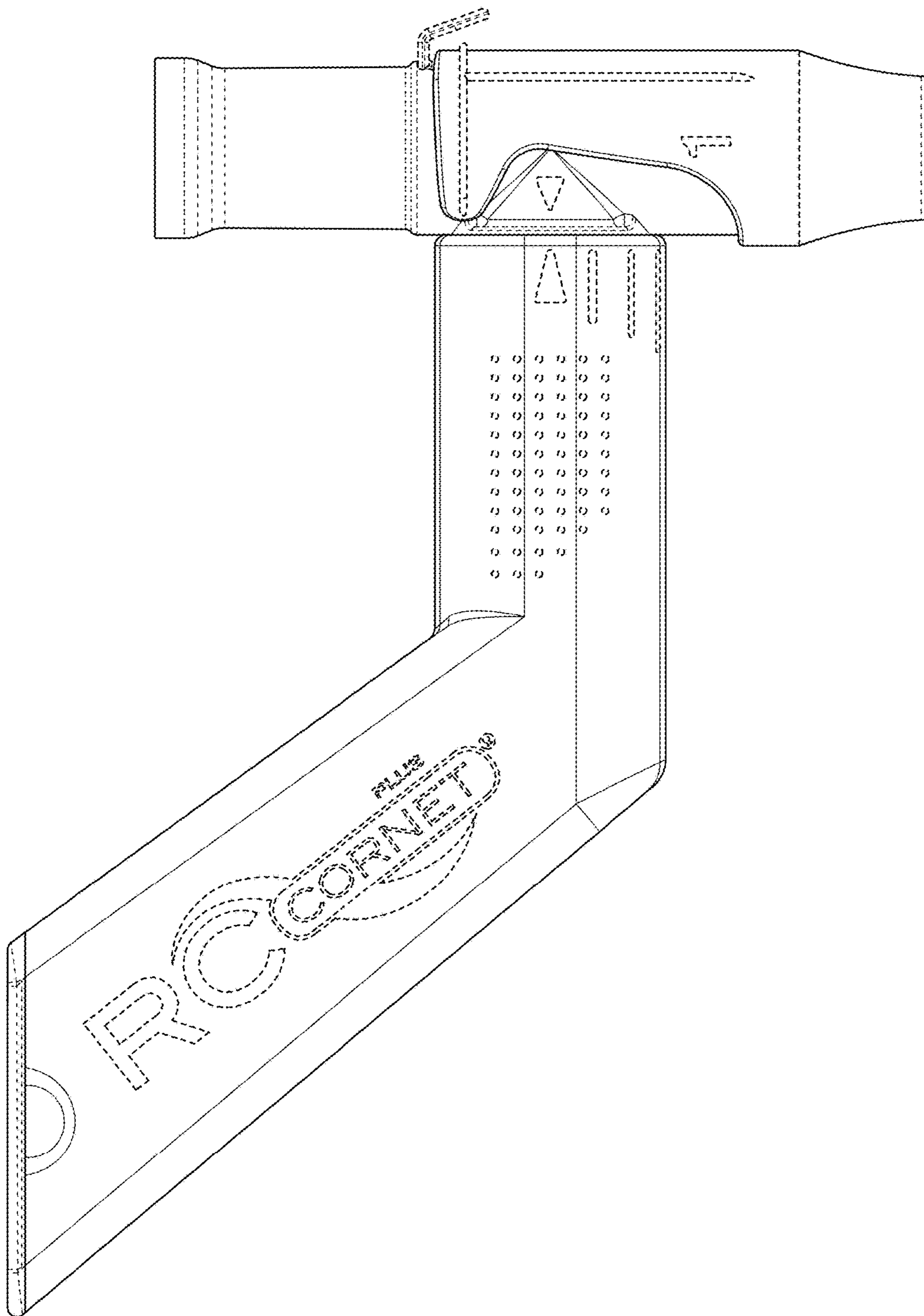
DESCRIPTION

- 1.1 : Right
- 1.2 : Left
- 1.3 : Front
- 1.4 : Back
- 1.5 : Top
- 1.6 : Bottom
- 1.7 : Perspective

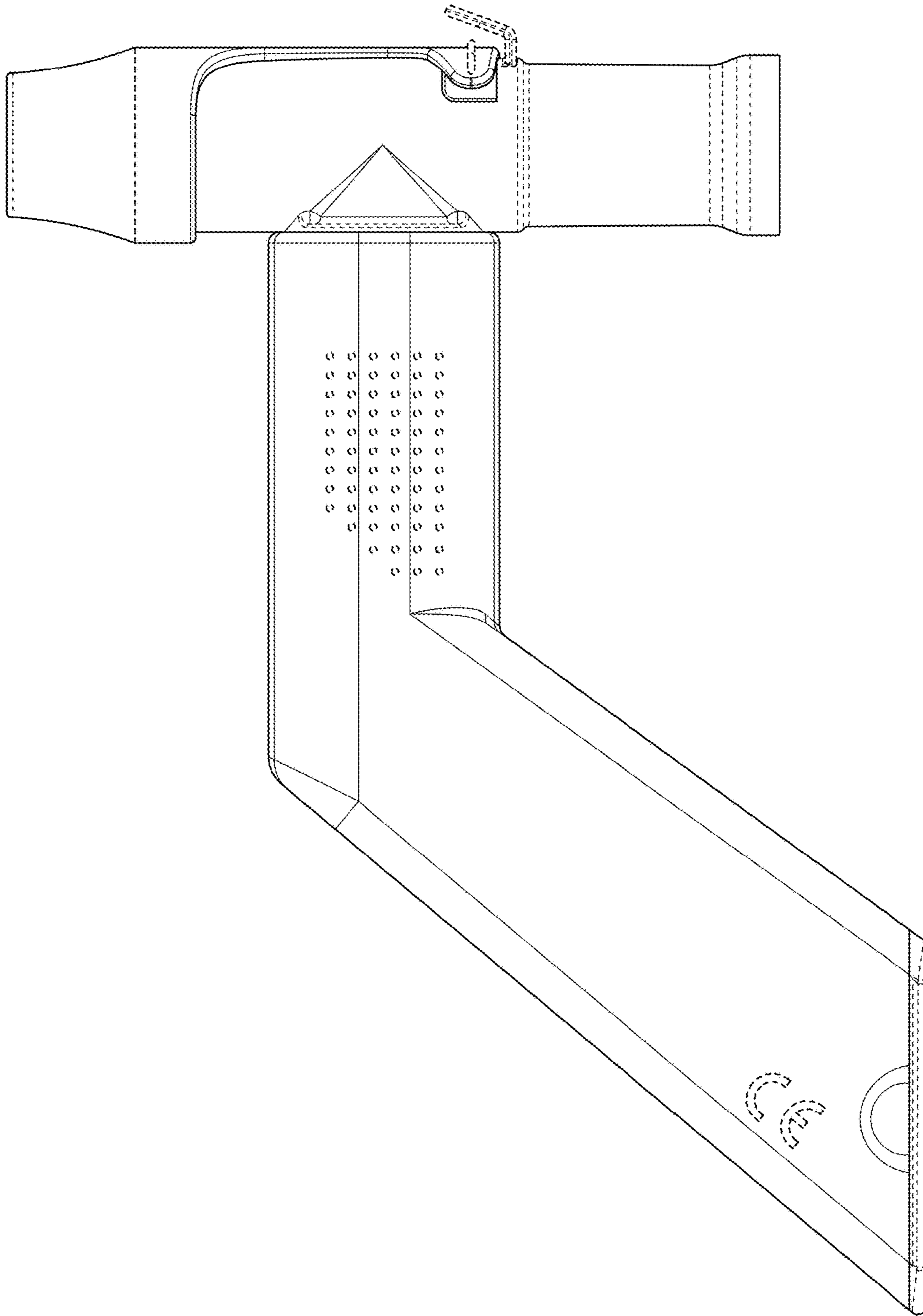
The dash-dash broken lines represent portions of the inhaler and form no part of the claimed design. The dash-dot broken lines represent a boundary between claimed and unclaimed subject matter and form no part of the claimed design.

1 Claim, 7 Drawing Sheets

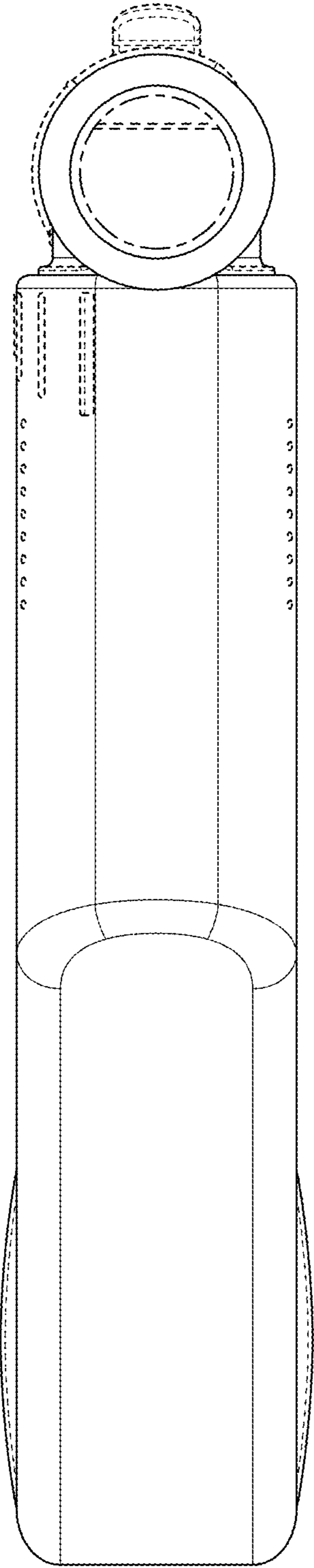




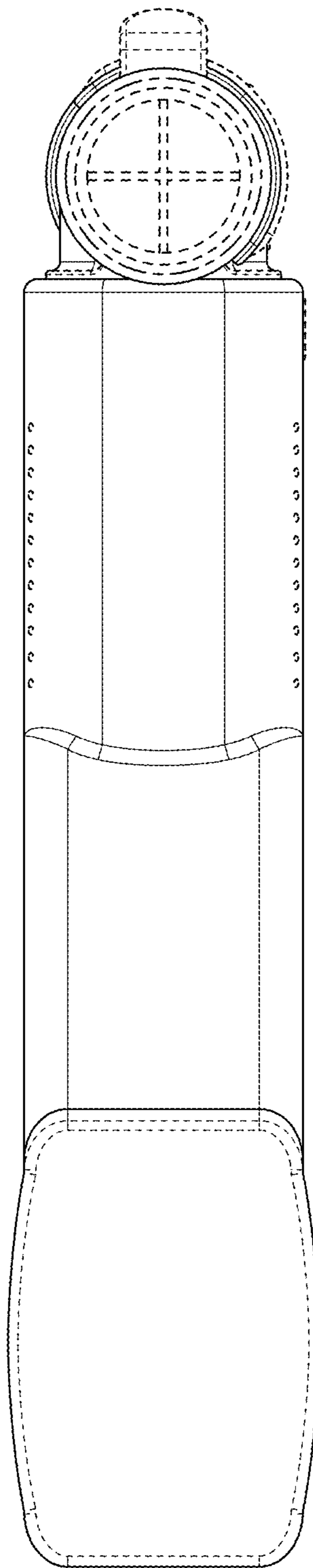
1.1



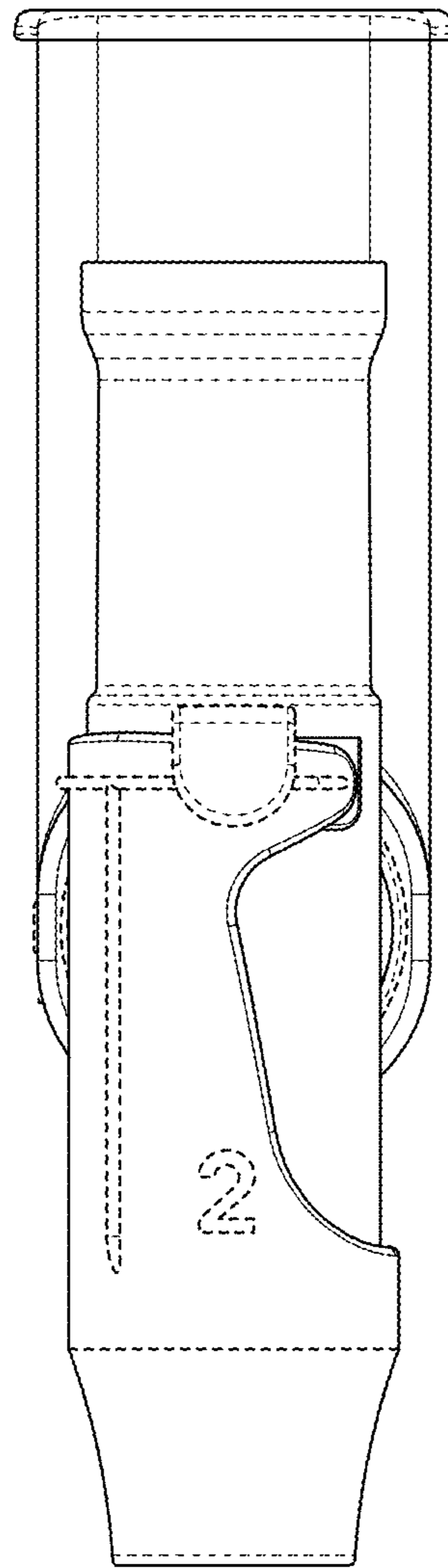
1.2



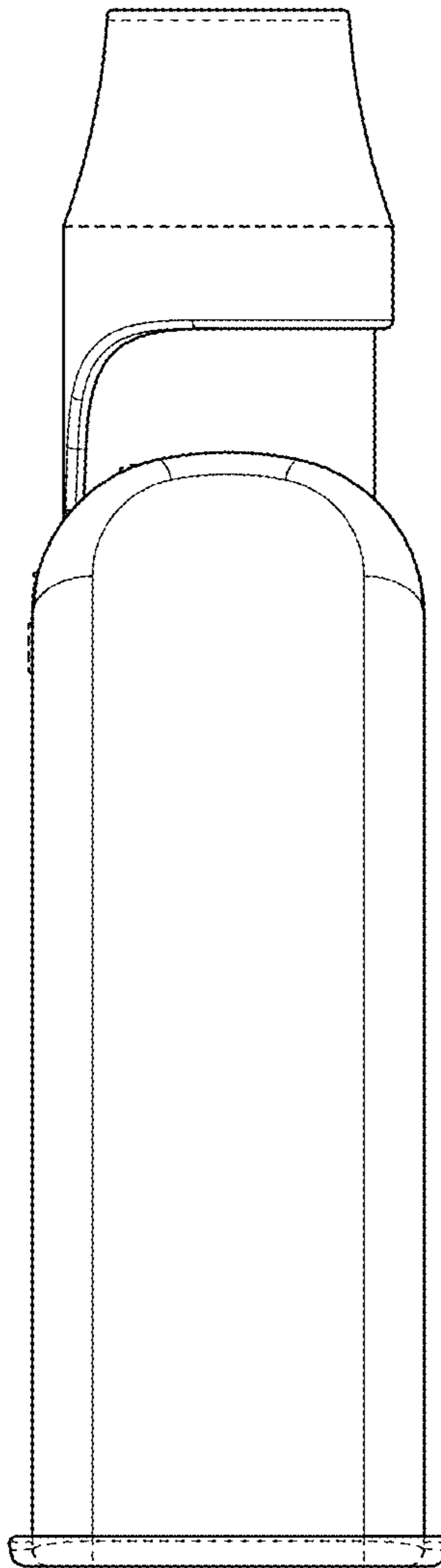
1.3



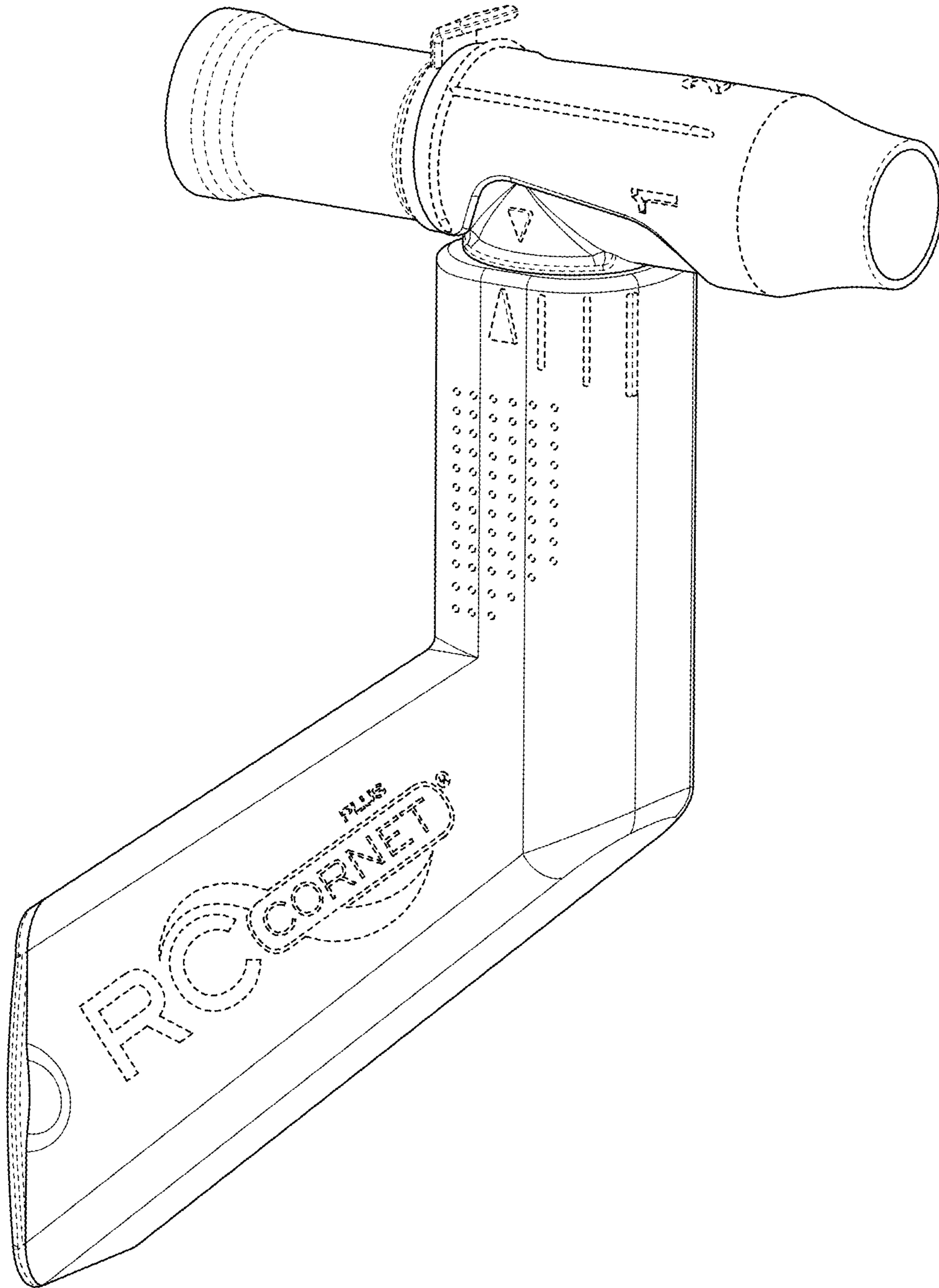
1.4



1.5



1.6



1.7