



US00D861853S

(12) **United States Design Patent** (10) **Patent No.:** **US D861,853 S**
Poh (45) **Date of Patent:** **** Oct. 1, 2019**

(54) **LARYNGEAL MASK AND FIXATION
DEVICE SET**

(71) Applicant: **TELEFLEX LIFE SCIENCES
UNLIMITED COMPANY**, Hamilton
(BM)

(72) Inventor: **Teck Hian Poh**, Singapore (SG)

(73) Assignee: **TELEFLEX LIFE SCIENCES
UNLIMITED COMPANY**, Hamilton
(BM)

(**) Term: **15 Years**

(21) Appl. No.: **29/614,317**

(22) Filed: **Aug. 17, 2017**

(30) **Foreign Application Priority Data**

Feb. 27, 2017 (EM) 003771849

(51) **LOC (12) Cl.** **29-02**

(52) **U.S. Cl.**
USPC **D24/110; D24/110.5; D24/110.1**

(58) **Field of Classification Search**
USPC **D24/110.1, 110.4, 110.6, 127, 129, 110,
D24/110.5**

(Continued)

(56) **References Cited**

U.S. PATENT DOCUMENTS

2,096,831 A 10/1937 Wappler
2,099,127 A 11/1937 Leech

(Continued)

FOREIGN PATENT DOCUMENTS

CN 1166138 A 11/1997
CN 1213777 A 4/1999

(Continued)

OTHER PUBLICATIONS

Brain et al. "A New Laryngeal Mask Prototype: Preliminary Evaluation of Seal Pressures and Glottic Isolation" *Anaesthesia*, 1995, vol. 50, pp. 42-48.

(Continued)

Primary Examiner — Karen E Kearney

Assistant Examiner — Lilyana Bekic

(74) *Attorney, Agent, or Firm* — Knobbe, Martens, Olson & Bear, LLP

(57) **CLAIM**

The ornamental design for a laryngeal mask and fixation device set, as shown and described.

DESCRIPTION

FIG. 1 is a front, left side perspective view of a laryngeal mask and fixation device set, showing my new design.

FIG. 2 is a front elevational view thereof.

FIG. 3 is a rear elevational view thereof.

FIG. 4 is a left side view thereof.

FIG. 5 is a right side view thereof.

FIG. 6 is a top plan view thereof.

FIG. 7 is a bottom plan view thereof.

FIG. 8 is a front, left side perspective view of the laryngeal mask of FIG. 1.

FIG. 9 is a front elevational view thereof.

FIG. 10 is a rear elevational view thereof.

FIG. 11 is a left side view thereof.

FIG. 12 is a right side view thereof.

FIG. 13 is a top plan view thereof.

FIG. 14 is a bottom plan view thereof.

FIG. 15 is a front, left, bottom perspective view of the fixation device of FIG. 1.

FIG. 16 is a front elevational view thereof.

FIG. 17 is a rear elevational view thereof.

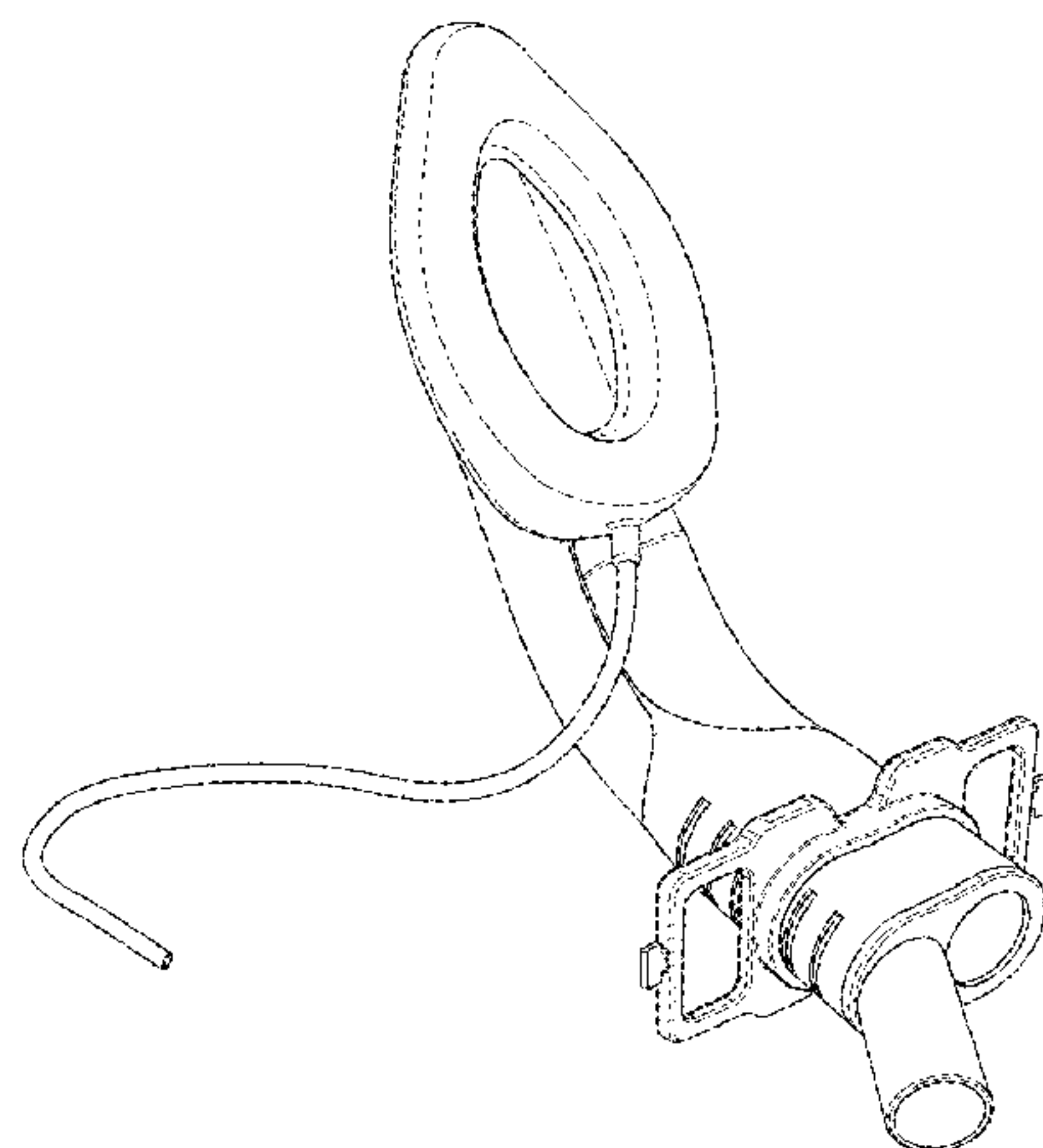
FIG. 18 is a left side view thereof.

FIG. 19 is a right side view thereof.

FIG. 20 is a bottom plan view thereof; and,

FIG. 21 is a top plan view thereof.

1 Claim, 21 Drawing Sheets



(58) **Field of Classification Search**
 CPC A61M 16/0409; A61M 16/04; A61M
 16/0447; A61M 16/0415; A61M 16/0488;
 A61M 16/0463; A61M 16/0434; A61M
 16/0411

See application file for complete search history.

(56) **References Cited**

U.S. PATENT DOCUMENTS

2,252,874 A 8/1941 Vischer, Jr.
 3,124,959 A 3/1964 Pall et al.
 D198,646 S 7/1964 Roberts et al.
 4,096,759 A 6/1978 Desor
 4,256,099 A 3/1981 Dryden
 4,344,428 A 8/1982 Sherman
 4,351,331 A 9/1982 Gereg
 4,445,366 A 5/1984 Gray
 4,509,514 A 4/1985 Brain
 4,995,388 A 2/1991 Brain
 5,174,283 A 12/1992 Parker
 5,237,988 A 8/1993 McNeese
 5,241,956 A 9/1993 Brain
 5,282,464 A 2/1994 Brain
 5,297,547 A 3/1994 Brain
 5,303,697 A 4/1994 Brain
 5,305,743 A 4/1994 Brain
 5,355,879 A 10/1994 Brain
 5,443,063 A 8/1995 Greenberg
 5,477,851 A 12/1995 Callaghan et al.
 5,513,627 A 5/1996 Flam
 5,584,290 A 12/1996 Brain
 5,623,921 A 4/1997 Kinsinger et al.
 5,632,271 A 5/1997 Brain
 5,643,174 A 7/1997 Yamamoto et al.
 5,653,229 A 8/1997 Greenberg
 5,682,880 A 11/1997 Brain
 5,699,787 A 12/1997 Thompson
 5,711,293 A 1/1998 Brain
 5,794,617 A 8/1998 Brunell et al.
 5,878,745 A 3/1999 Brain
 5,881,726 A 3/1999 Neame
 5,935,084 A 8/1999 Southworth
 5,983,897 A 11/1999 Pagan
 5,988,167 A 11/1999 Kamen
 6,012,452 A 1/2000 Pagan
 6,079,409 A 6/2000 Brain
 D429,811 S 8/2000 Bermudez
 6,119,695 A 9/2000 Augustine et al.
 6,240,922 B1 6/2001 Pagan
 6,318,367 B1 11/2001 Mongeon
 6,439,232 B1 8/2002 Brain
 6,578,576 B1 6/2003 Taormina
 6,705,322 B2 3/2004 Chang
 D510,033 S 9/2005 McLeish
 7,004,169 B2 2/2006 Brain
 D518,572 S 4/2006 Nasir
 D518,890 S 4/2006 Nasir
 7,047,973 B2 5/2006 Chang
 7,134,431 B2 11/2006 Brain
 7,140,368 B1* 11/2006 Collins A61M 16/04
 128/207.14
 7,156,100 B1 1/2007 Brain
 D545,207 S 6/2007 De Baschmakoff
 RE39,938 E 12/2007 Brain
 7,305,985 B2 12/2007 Brain
 D611,138 S* 3/2010 Nasir D24/110.5
 D613,854 S 4/2010 Young et al.
 7,694,682 B2 4/2010 Petersen et al.
 D615,188 S 5/2010 Nasir
 D618,788 S 6/2010 Dubach
 7,762,261 B1 7/2010 Fortuna
 7,784,465 B2 8/2010 Le et al.
 D628,079 S 11/2010 Baran
 7,895,497 B2 2/2011 Pisek et al.
 7,934,502 B2 5/2011 Cook
 7,938,119 B2 5/2011 Chen et al.

7,992,562 B2 8/2011 Chen
 8,220,454 B2 7/2012 Murray
 D665,254 S 8/2012 Miller
 D665,495 S 8/2012 Nasir
 D668,759 S 10/2012 Nasir
 D681,194 S 4/2013 Koschany
 8,449,713 B2 5/2013 Brain
 8,485,188 B2 7/2013 Nasir
 D688,787 S 8/2013 Miller et al.
 8,522,786 B2 9/2013 Takeda et al.
 D693,920 S 11/2013 Miller et al.
 8,590,535 B2 11/2013 Dubach
 8,622,060 B2 1/2014 Cook
 8,631,796 B2 1/2014 Cook
 D710,990 S 8/2014 Brain
 D716,937 S 11/2014 Brain
 D791,305 S* 7/2017 Poulsen D24/110.5
 D809,125 S* 1/2018 Kheong D24/110
 2001/0032646 A1* 10/2001 Christopher A61M 16/0488
 128/200.26
 2001/0050082 A1* 12/2001 Christopher A61M 16/0488
 128/207.15
 2002/0026178 A1 2/2002 Ouchi
 2003/0051734 A1 3/2003 Brain
 2003/0094177 A1 5/2003 Smith et al.
 2003/0192548 A1 10/2003 Chang
 2004/0089307 A1 5/2004 Brain
 2004/0139971 A1 7/2004 Brain
 2004/0200479 A1 10/2004 Chang
 2005/0066975 A1 3/2005 Brain
 2005/0081861 A1 4/2005 Nasir
 2005/0199244 A1 9/2005 Tateo et al.
 2006/0081245 A1 4/2006 Gould
 2006/0118120 A1 6/2006 Russo
 2006/0180156 A1 8/2006 Baska
 2006/0201516 A1 9/2006 Petersen et al.
 2006/0207601 A1 9/2006 Nasir
 2007/0028923 A1 2/2007 Souris et al.
 2007/0068532 A1* 3/2007 Le A61M 16/044
 128/207.15
 2007/0246050 A1 10/2007 Parikh et al.
 2008/0041392 A1 2/2008 Cook
 2008/0066762 A1* 3/2008 Cook A61M 16/04
 128/207.15
 2008/0099026 A1 5/2008 Chang
 2008/0276936 A1 11/2008 Cook
 2008/0308109 A1 12/2008 Brain
 2009/0090358 A1 4/2009 Chen
 2009/0194114 A1 8/2009 Chen et al.
 2010/0089393 A1 4/2010 Brain
 2011/0220117 A1 9/2011 Dubach
 2011/0226256 A1 9/2011 Dubach
 2011/0245805 A1 10/2011 Swinehart et al.
 2012/0024285 A1 2/2012 Dashawetz
 2013/0239959 A1 9/2013 Brain
 2013/0247917 A1 9/2013 Brain
 2013/0269689 A1 10/2013 Brain
 2015/0209538 A1 7/2015 Hansen et al.
 2015/0246196 A1 9/2015 Hansen et al.
 2016/0008562 A1 1/2016 Sagales Manas et al.
 2016/0101254 A1 4/2016 Hansen et al.
 2016/0235934 A1 8/2016 Pousen et al.
 2017/0065782 A1* 3/2017 Acha Gandarias
 A61M 16/0463

FOREIGN PATENT DOCUMENTS

CN 2579352 Y 10/2003
 CN 1863568 A 11/2006
 CN 2882657 Y 3/2007
 CN 101057994 A 10/2007
 CN 101193677 A 6/2008
 CN 100531818 C 8/2009
 CN 201516220 U 6/2010
 CN 201684261 U 12/2010
 CN 101991898 A 3/2011
 CN 103221087 B 8/2016
 DE 29 45 662 5/1981

(56)

References Cited

FOREIGN PATENT DOCUMENTS

DE	4447186	A1	7/1996
EP	0 389 272		9/1990
EP	0712638	A1	5/1996
EP	0732116	A2	9/1996
EP	0922465	A2	6/1999
EP	0982045	A2	3/2000
EP	1 800 706		6/2007
GB	2317830	A	4/1998
GB	2318735	A	5/1998
GB	2321854	A	8/1998
GB	2324737	A	11/1998
GB	2334215	A	8/1999
GB	2344766	A	6/2000
GB	2371990	A	8/2002
GB	2 436 294		9/2007
JP	H 7-509154		10/1995
JP	H 08-000547		1/1996
JP	H 09-505211		5/1997
JP	H 10-179745		7/1998
JP	2003-511108		3/2003
JP	2005-535397		11/2005
JP	2006-522623		10/2006
JP	2007-533337		11/2007
JP	2008-526393		7/2008
JP	2008-541817		11/2008
TW	2007-06196		5/1995

WO	WO 94/02191	A1	2/1994
WO	WO 97/12640	A1	4/1997
WO	WO 98/16273	A1	4/1998
WO	WO 98/50096	A1	11/1998
WO	WO 99/06093	A1	2/1999
WO	WO 00/09189	A1	2/2000
WO	WO 2000/20062		4/2000
WO	WO 01/24860	A2	4/2001
WO	WO 04/089453	A2	10/2004
WO	WO 2004/089453		10/2004
WO	WO 2006/037626		4/2006
WO	WO 2006/125986		11/2006
WO	WO 2007/131267		11/2007
WO	WO 2009/156949		12/2009
WO	WO 2010/060224		6/2010
WO	WO 2010/100419		9/2010
WO	WO 2013/066195		5/2013
WO	WO 2013/079902		6/2013

OTHER PUBLICATIONS

Donald M. Miller; "A Proposed Classification and Scoring System for Supraglottic Sealing Airways: A Brief Review" *Anesth Analog* 2004: vol. 99 pp. 1553-1559.

Verghese, et al. "Clinical Assessment of the Single Use Laryngeal Mask Airway—The LMA—Unique" *British Journal of Anaesthesia* 1998; 80: pp. 677-679.

* cited by examiner

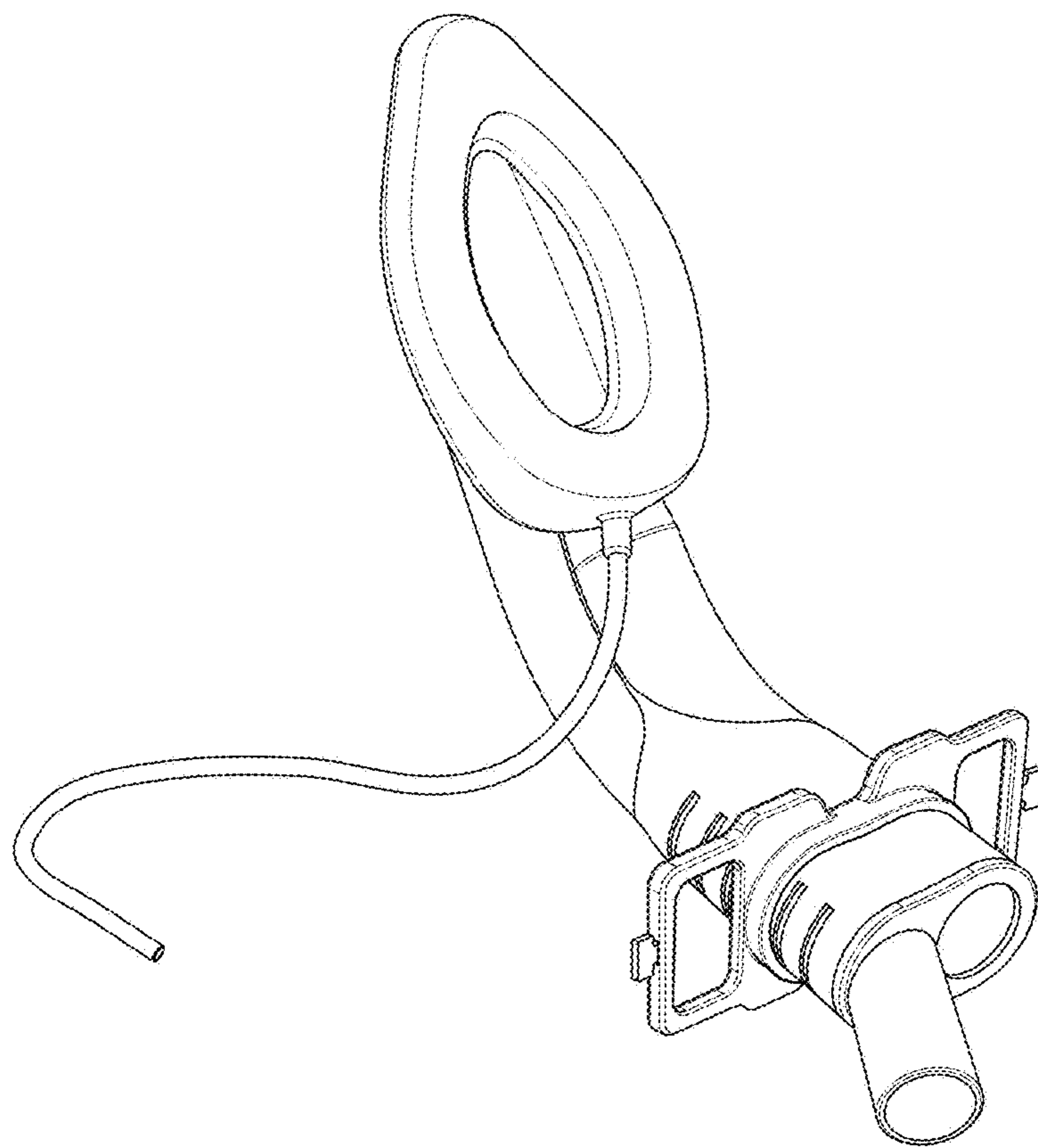


FIG. 1

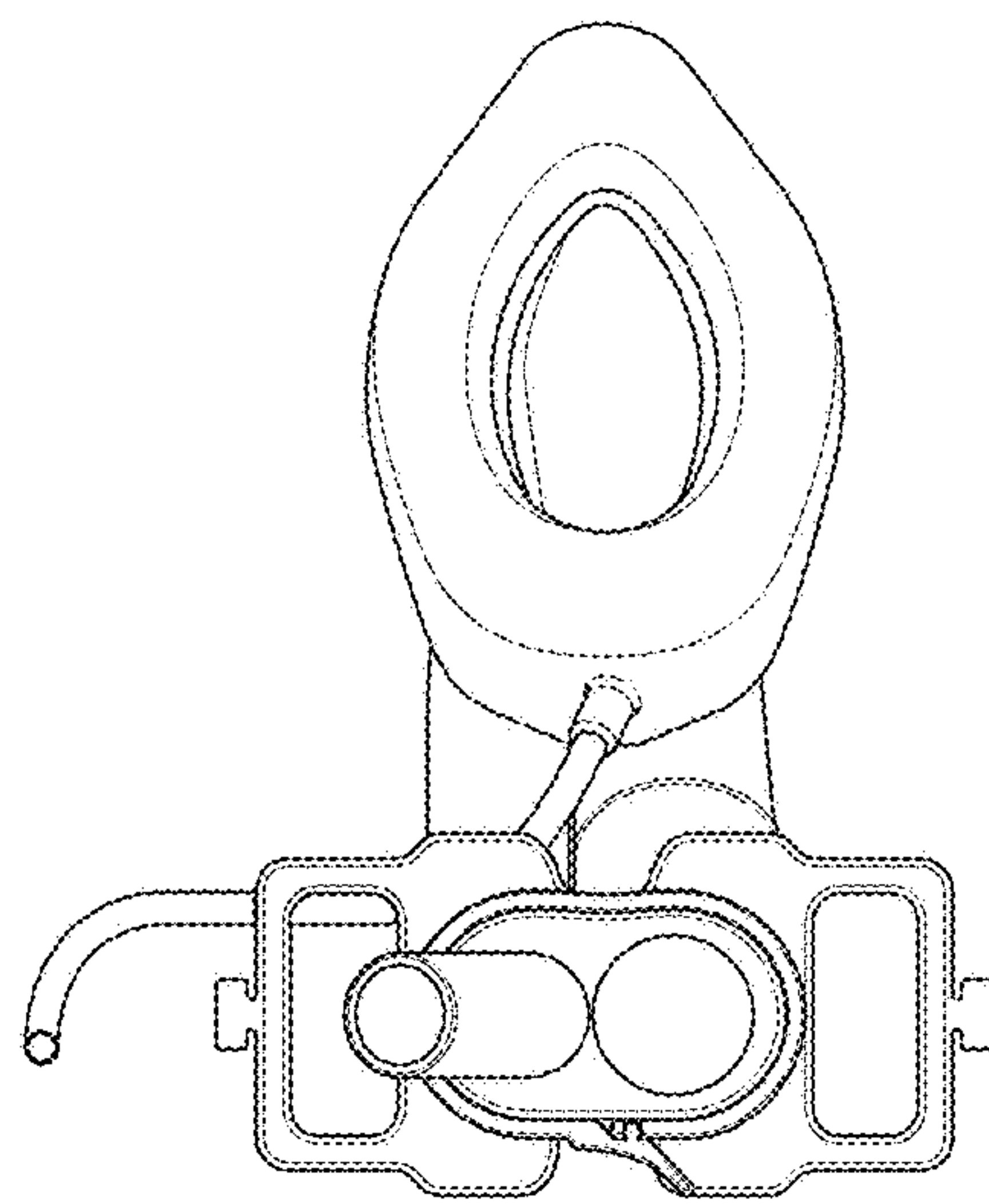


FIG. 2

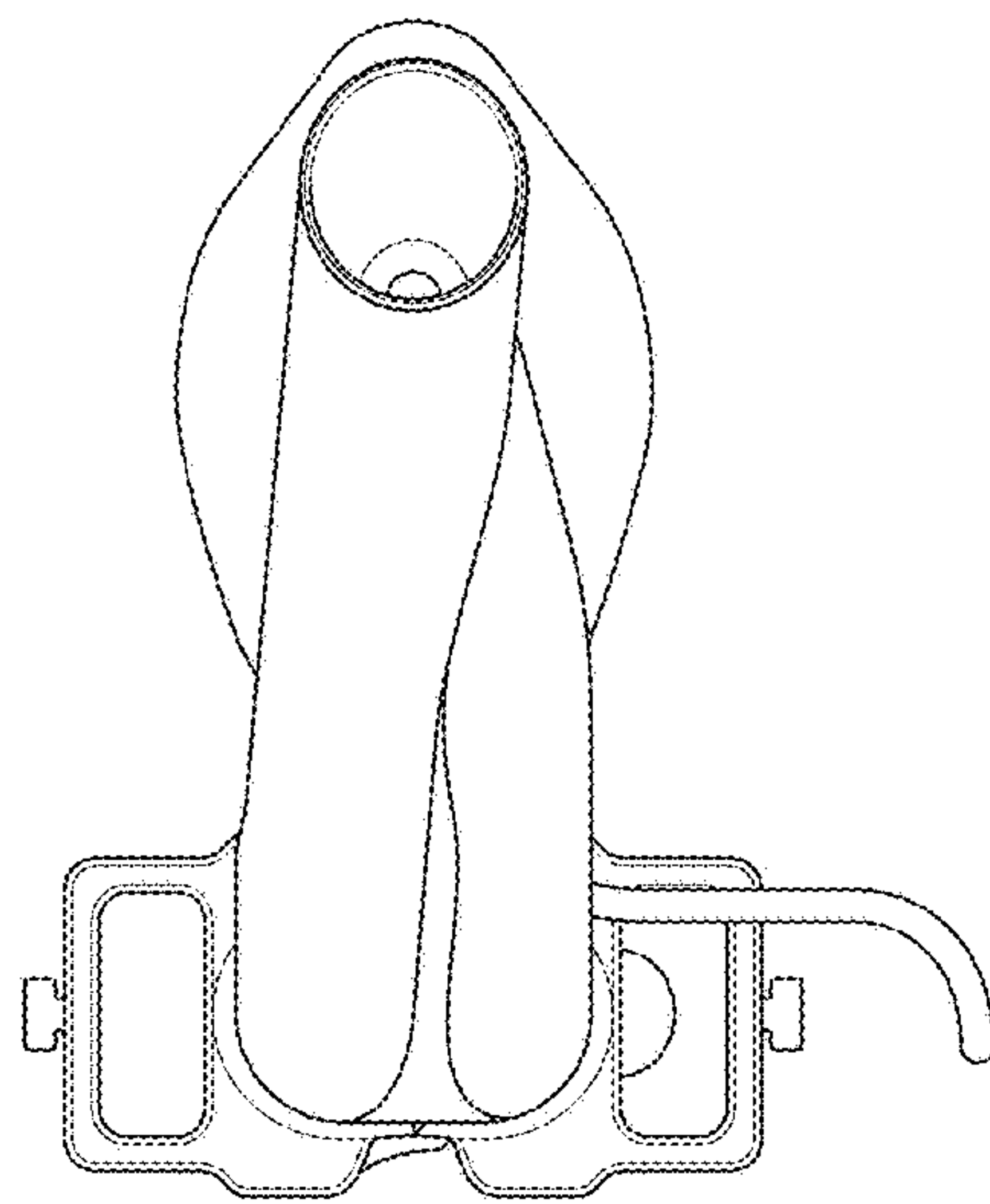


FIG. 3

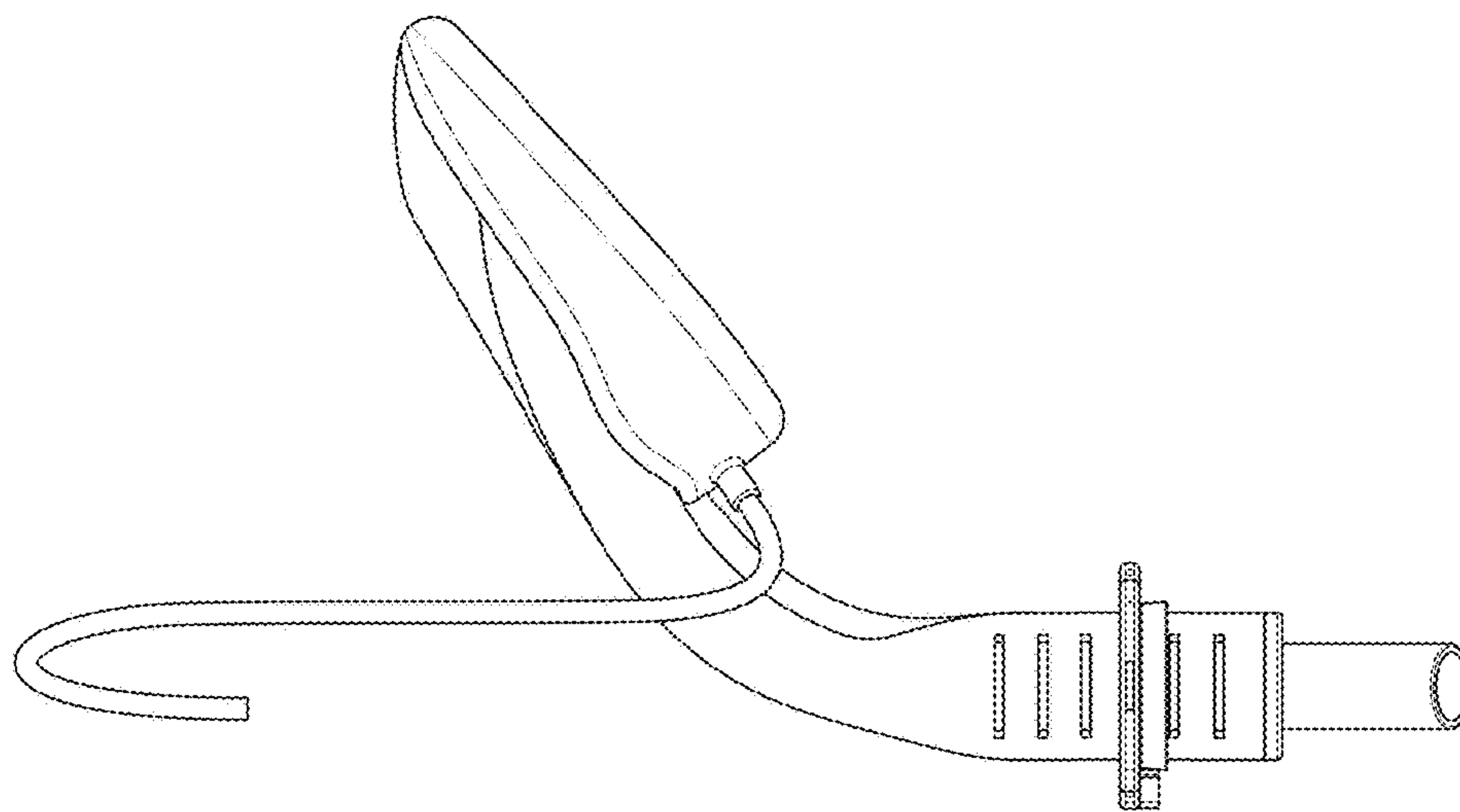


FIG. 4

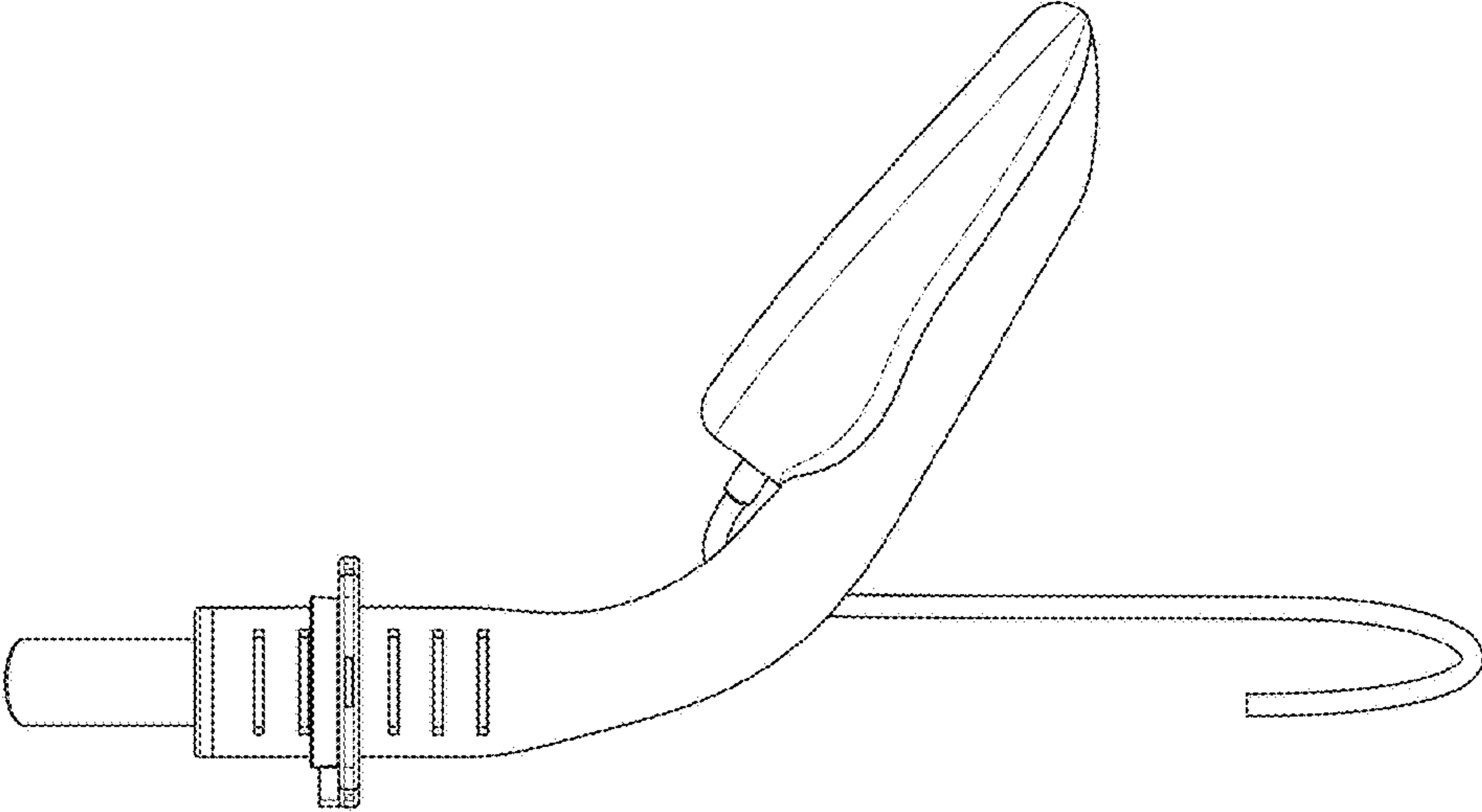


FIG. 5

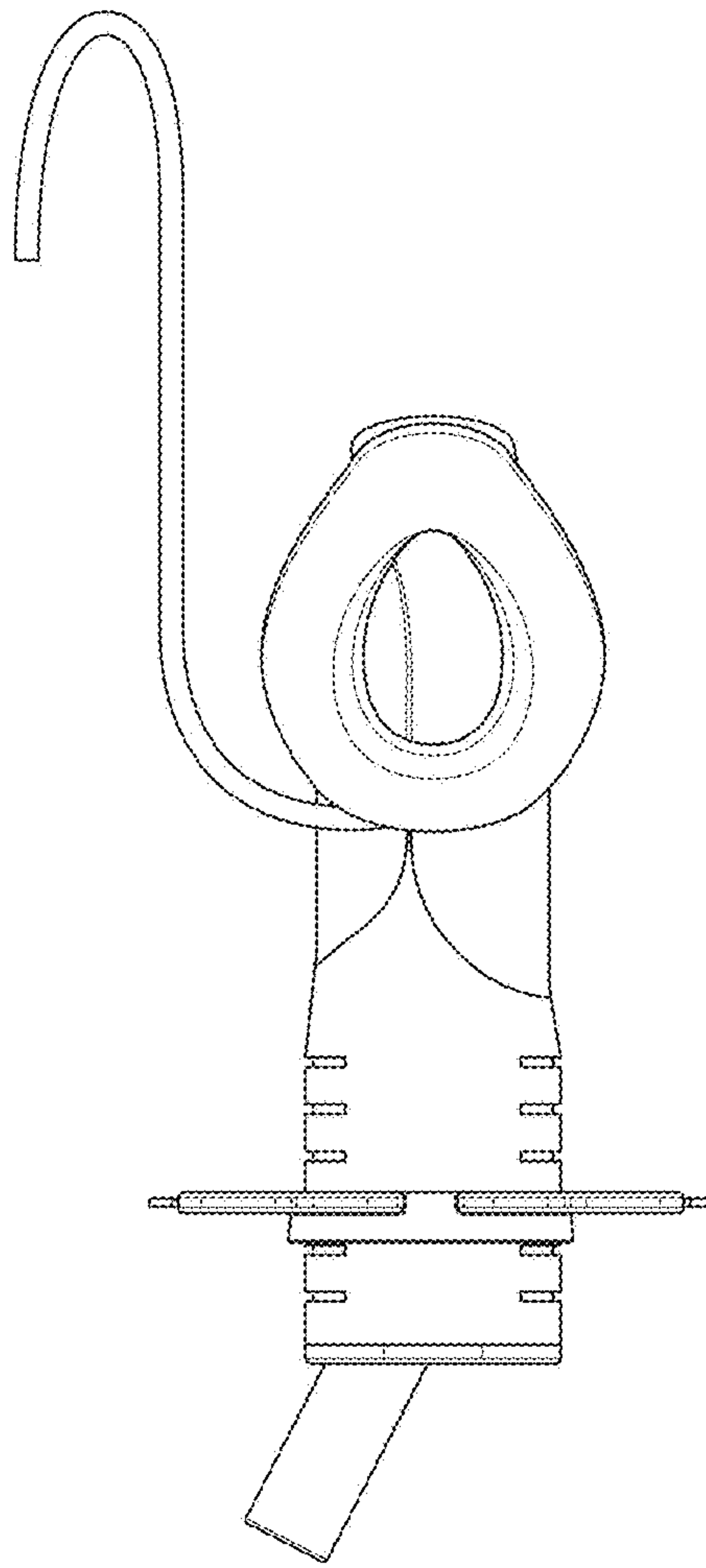


FIG. 6

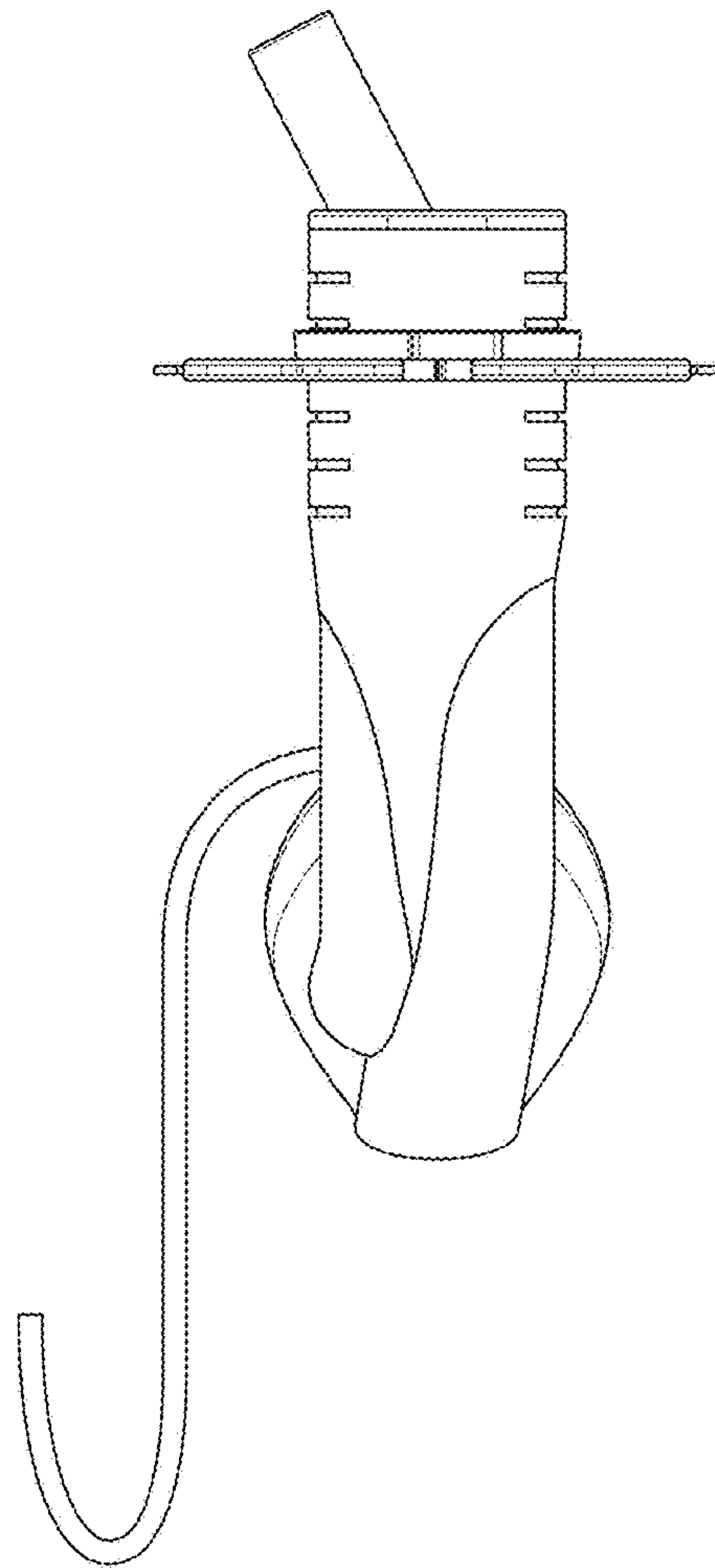


FIG. 7

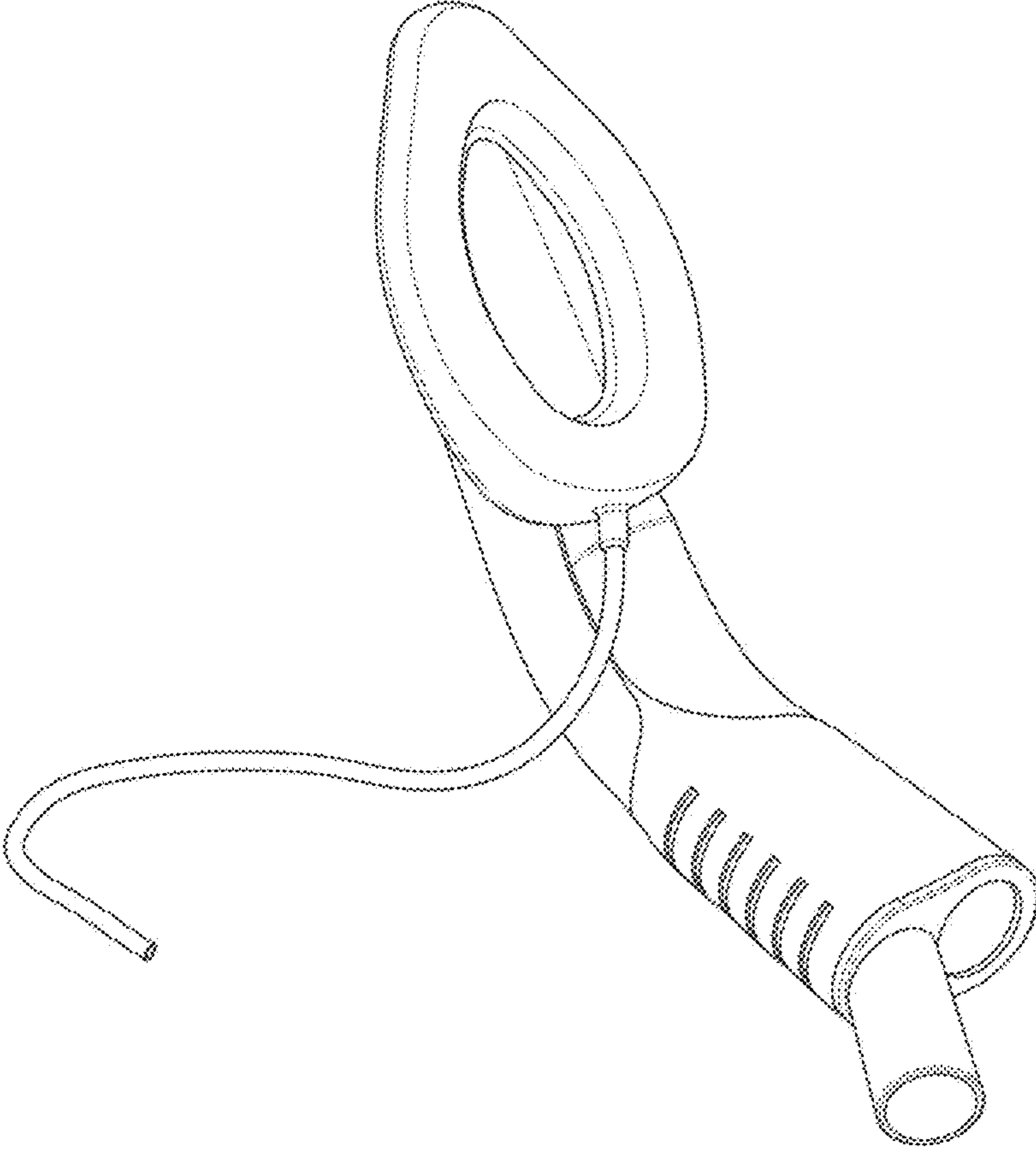


FIG. 8

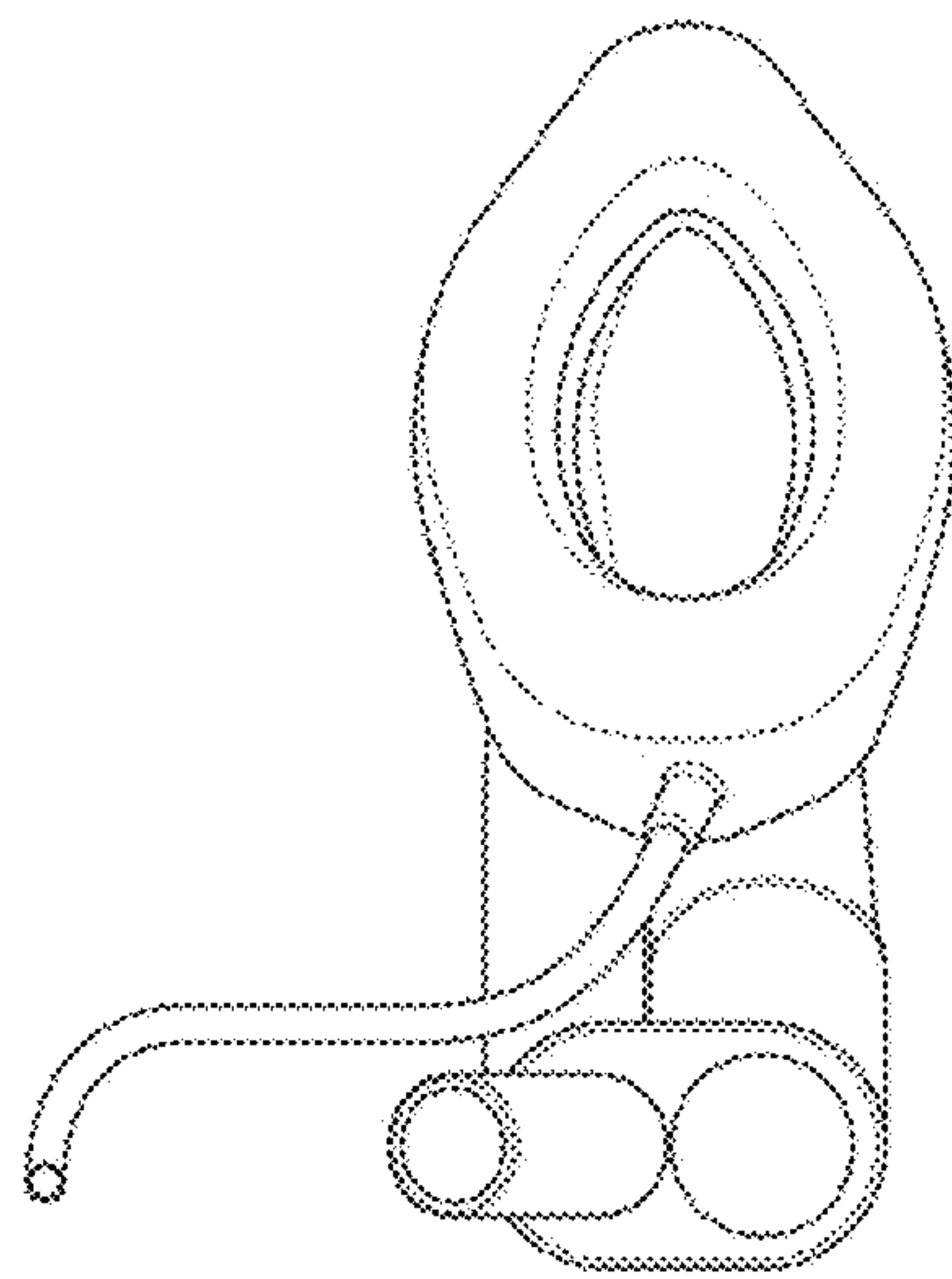


FIG. 9

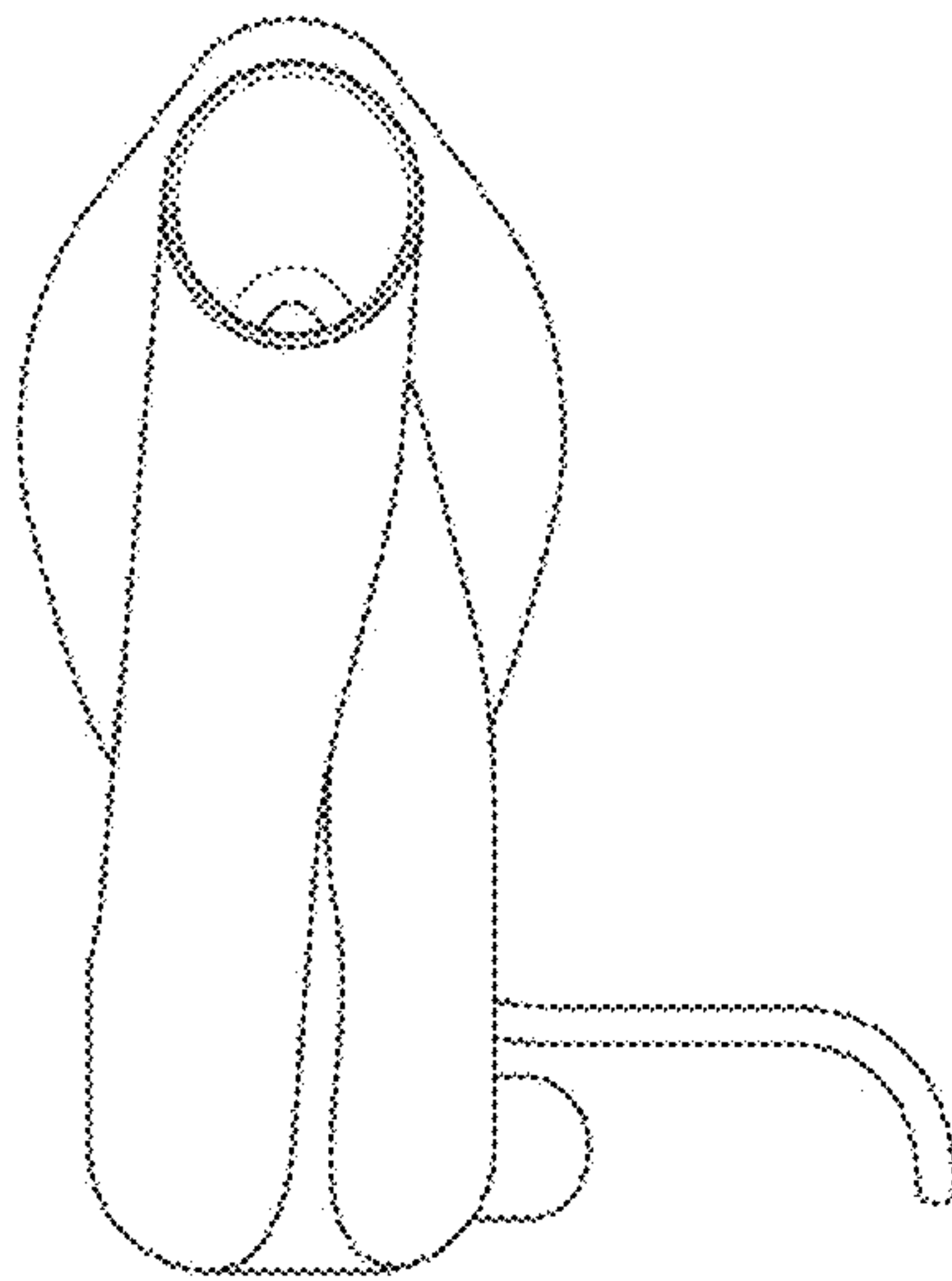


FIG. 10

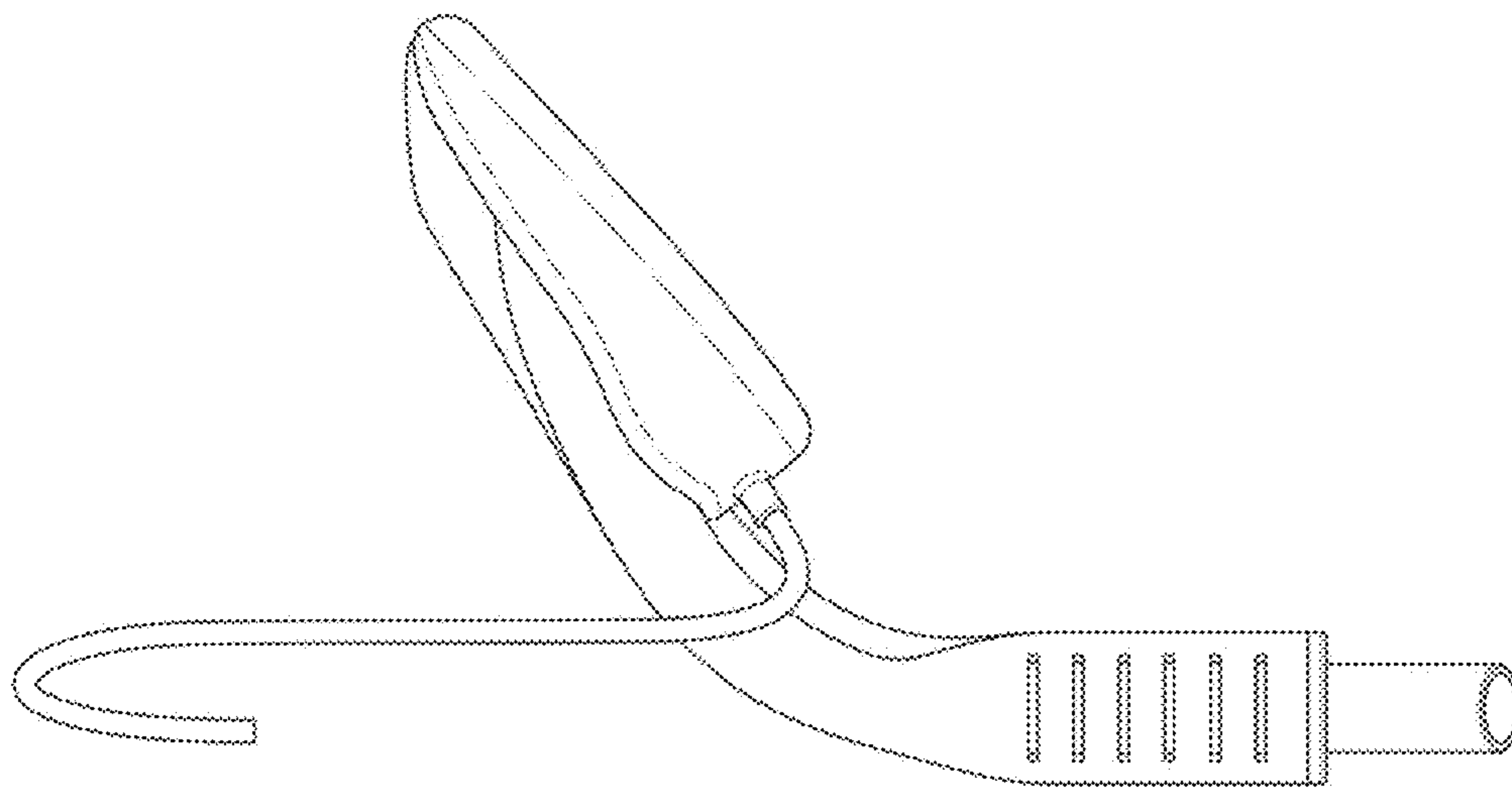


FIG. 11

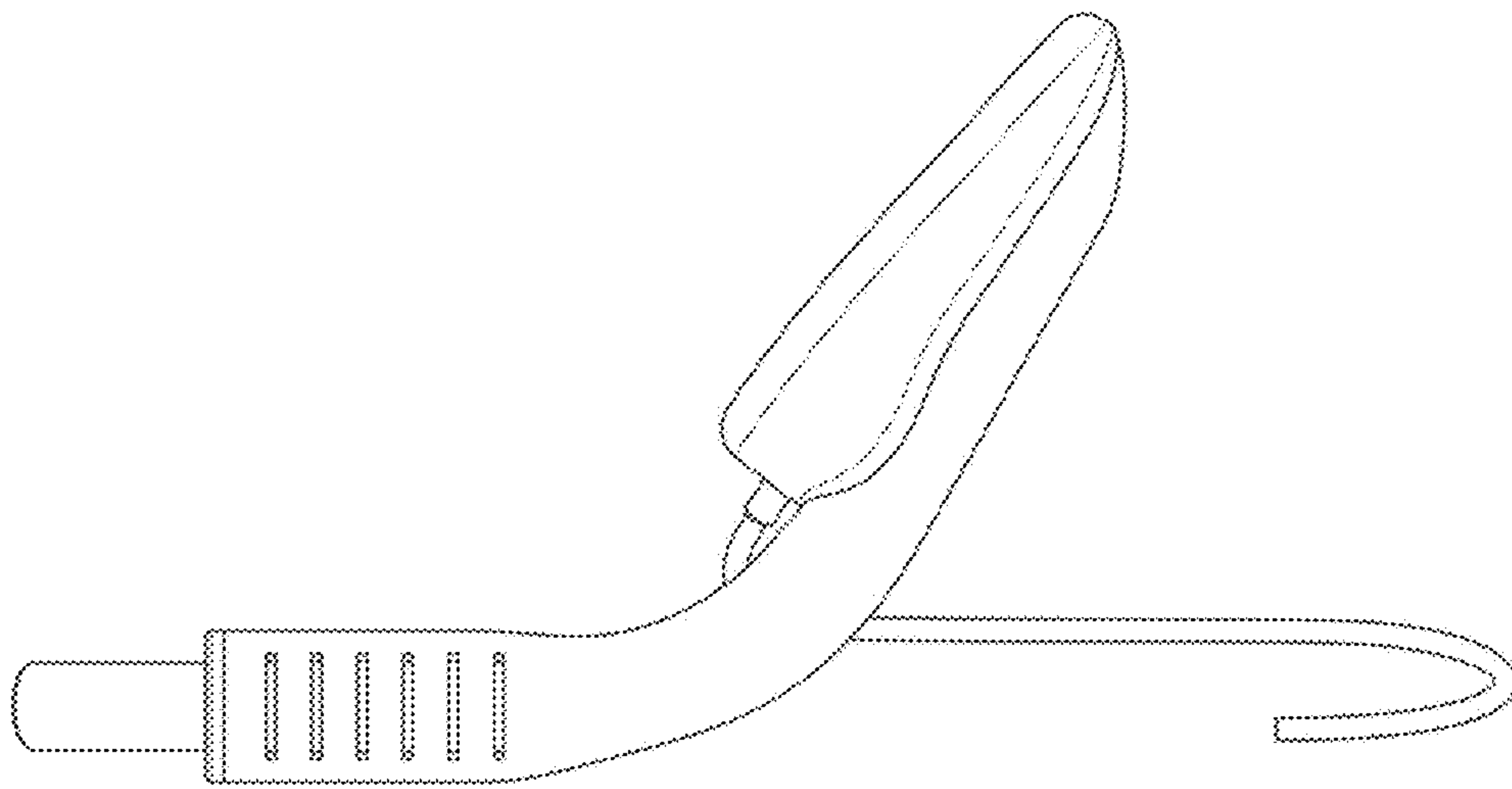


FIG. 12

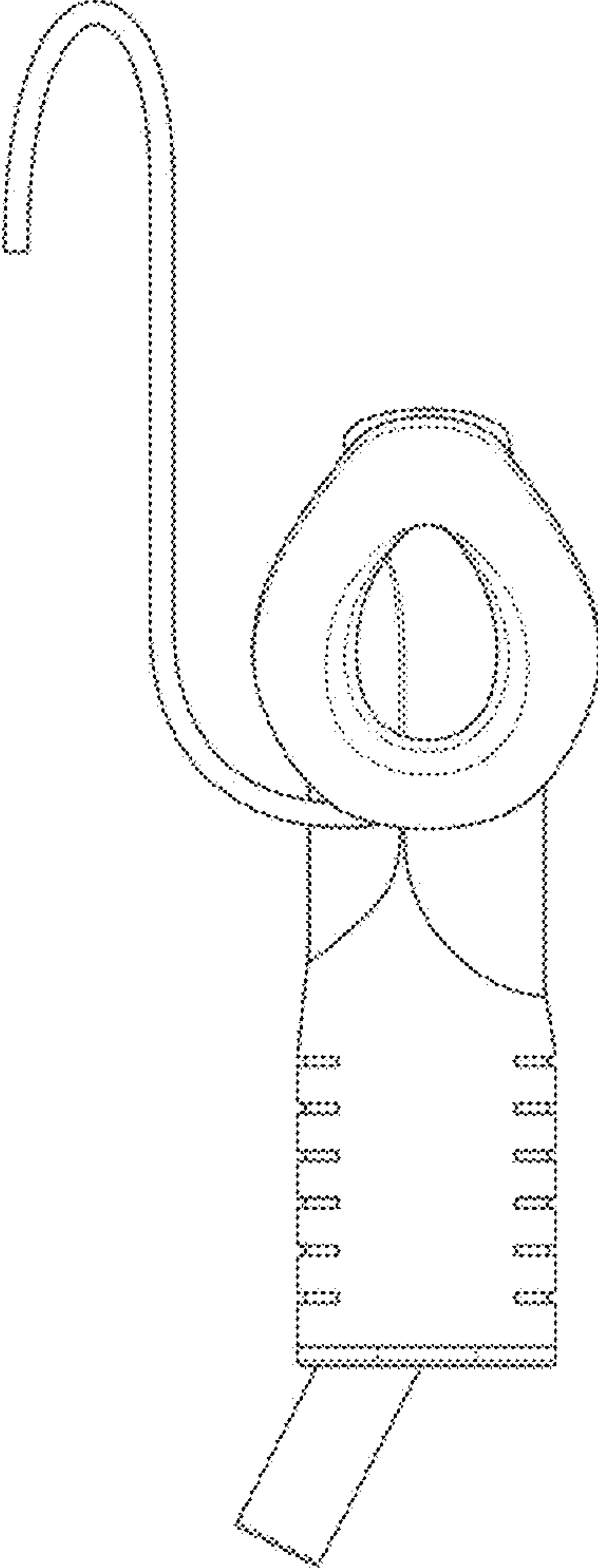


FIG. 13

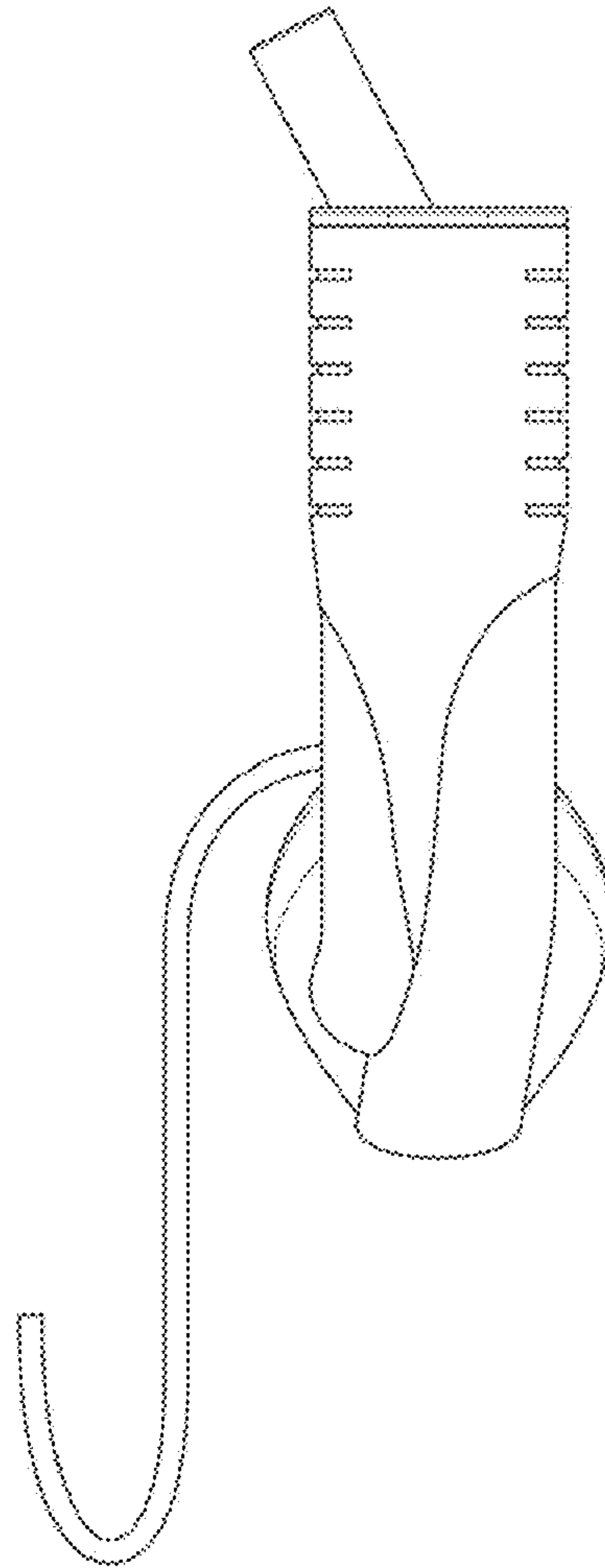


FIG. 14

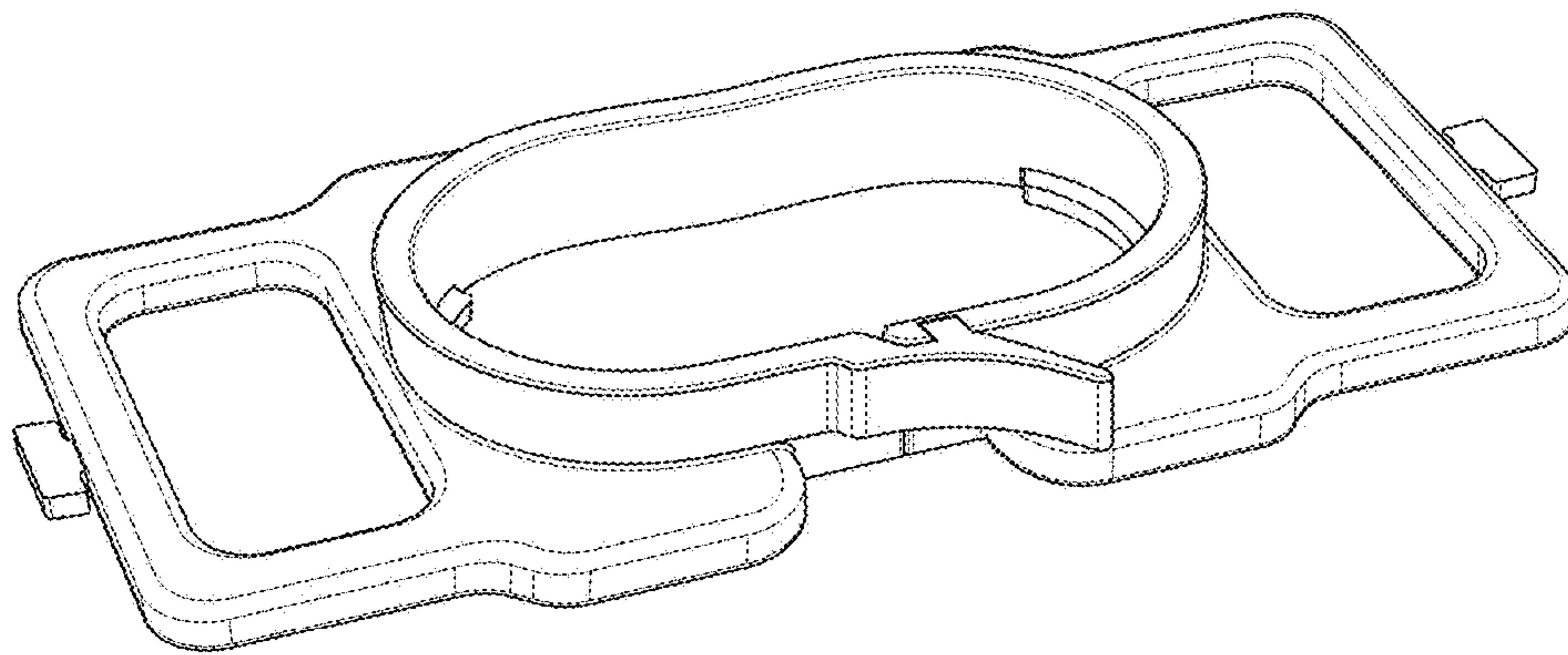


FIG. 15

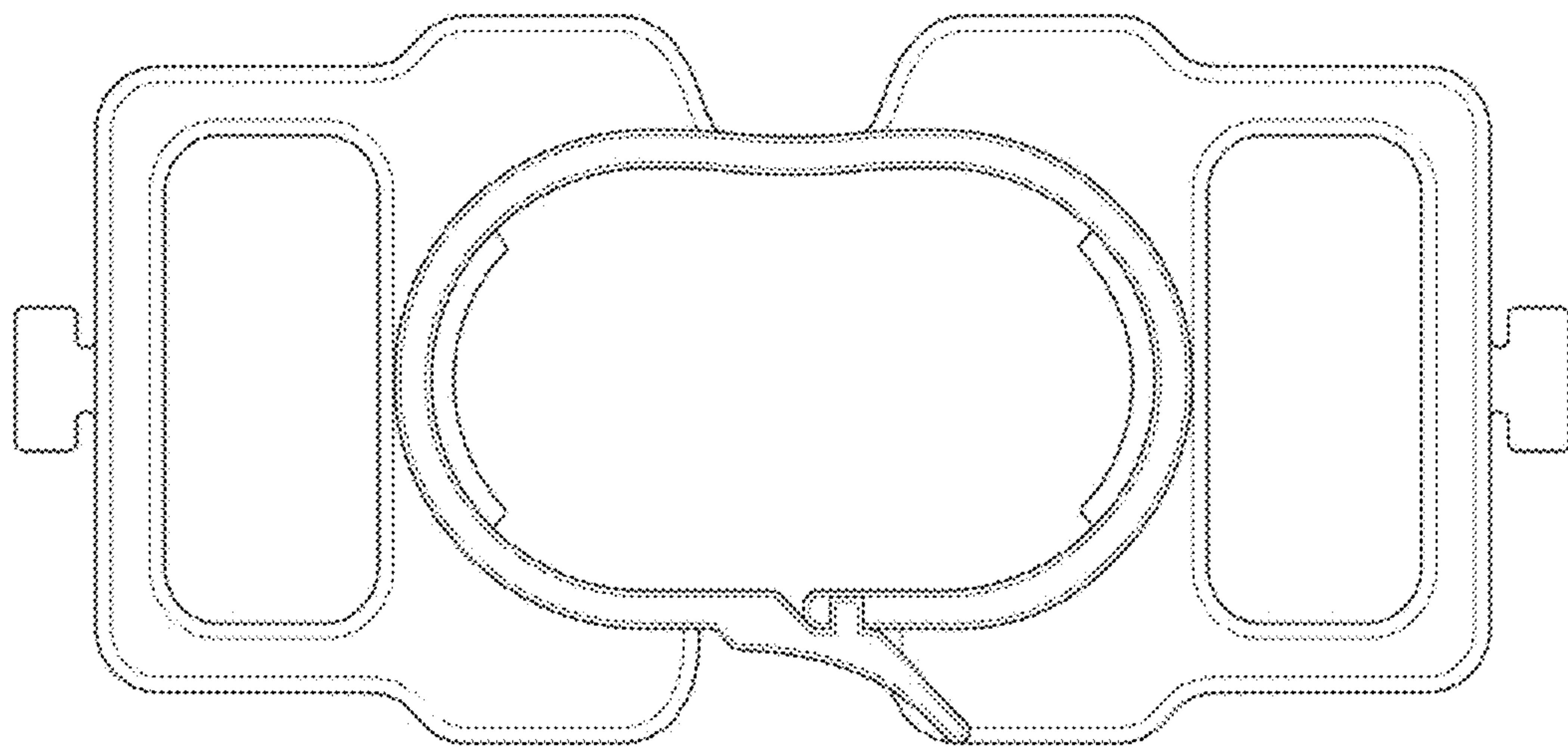


FIG. 16

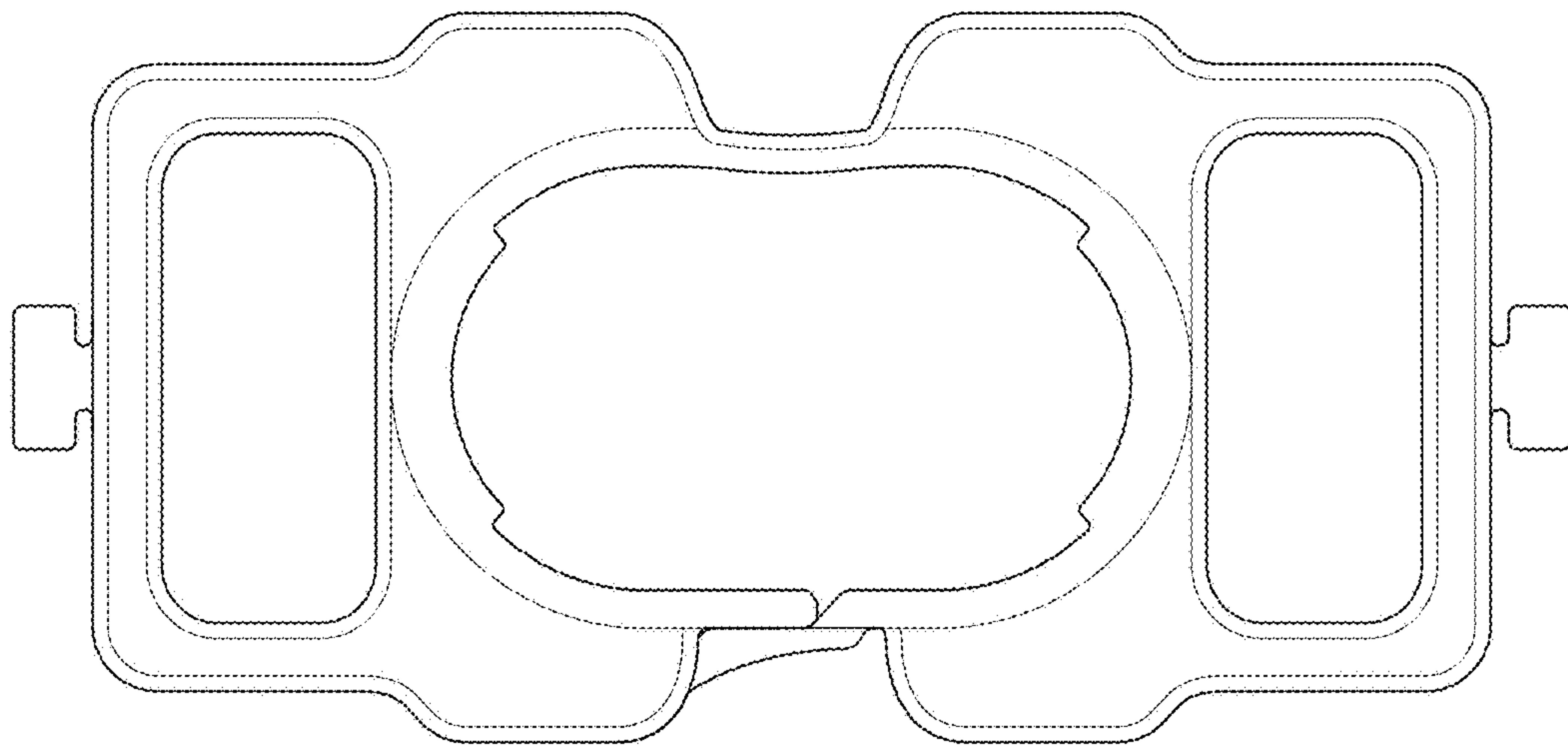


FIG. 17

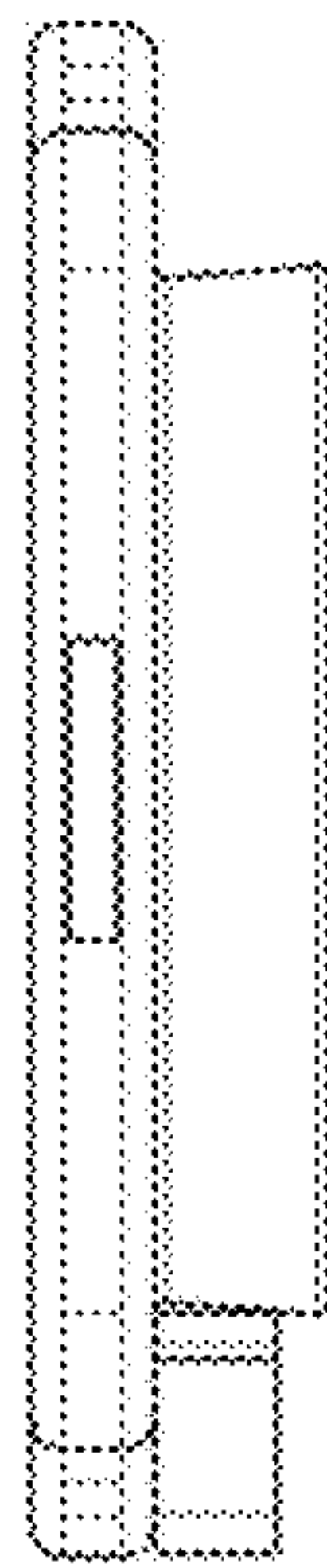


FIG. 18

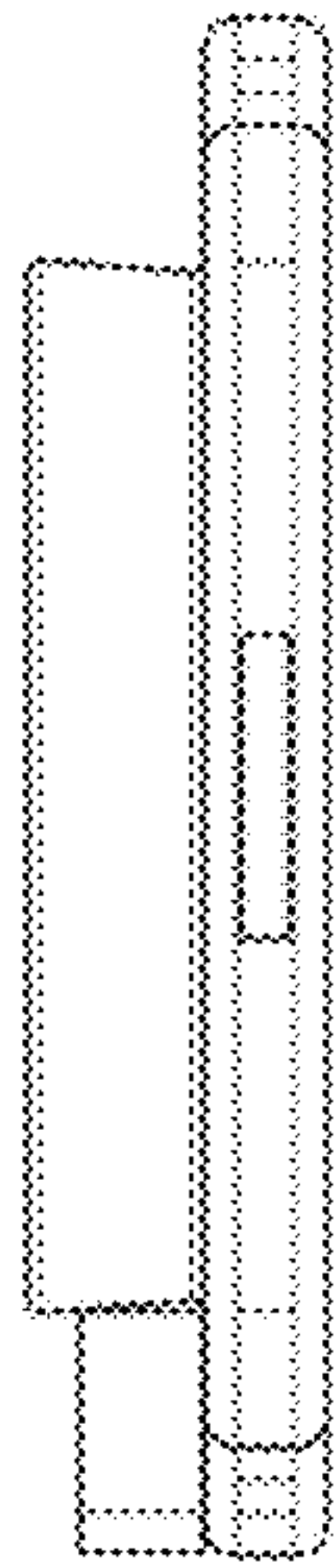


FIG. 19

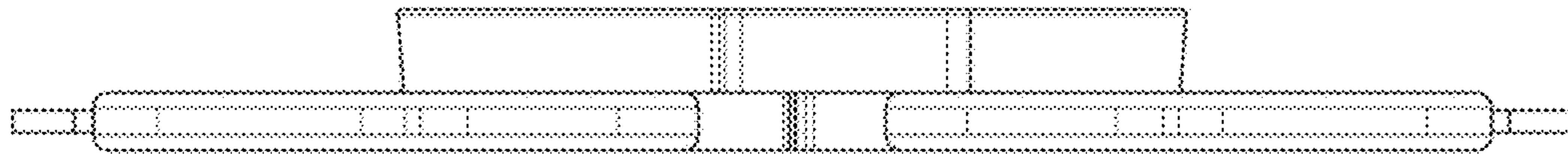


FIG. 20

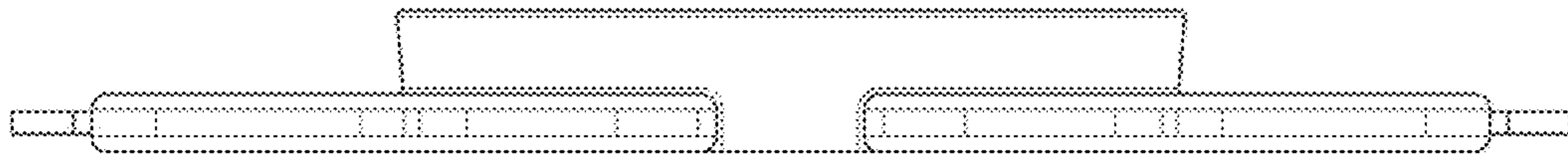


FIG. 21