



US00D861850S

(12) **United States Design Patent**
Gajewski

(10) **Patent No.:** **US D861,850 S**

(45) **Date of Patent:** **** Oct. 1, 2019**

(54) **CEILING FAN**

(71) Applicant: **Minka Lighting, Inc.**, Corona, CA (US)

(72) Inventor: **Mark Gajewski**, Henderson, NV (US)

(73) Assignee: **Minka Lighting Inc.**, Corona, CA (US)

(**) Term: **15 Years**

(21) Appl. No.: **29/634,501**

(22) Filed: **Jan. 22, 2018**

Related U.S. Application Data

(63) Continuation-in-part of application No. 29/586,735, filed on Dec. 6, 2016, now Pat. No. Des. 808,510.

(51) **LOC (12) Cl.** **23-04**

(52) **U.S. Cl.**
USPC **D23/380**

(58) **Field of Classification Search**
USPC D23/370-385, 411-414; D26/59; D12/214

CPC F04D 25/088; F21V 33/0096
See application file for complete search history.

(56) **References Cited**

U.S. PATENT DOCUMENTS

3,703,642 A * 11/1972 Balaguer B63H 20/007
290/43

D283,156 S * 3/1986 Mandelli D12/214

D321,165 S * 10/1991 Habe D12/214

(Continued)

OTHER PUBLICATIONS

Minka Aire F306L-BS/SL Elemental Gyro, first available Mar. 31, 2016, site visited Mar. 16, 2017, Copyright © 1996-2017, Available from Internet, <<https://www.amazon.com/Minka-Aire-F306L-BS->

Elemental-Gyro/dp/B01DONJSA2/ref=sr_1_1?s=hi&ie=UTF8&qid=1489667496&sr=1-1&keywords=minka+elemental+gyro>.*

(Continued)

Primary Examiner — Cathron C Brooks

Assistant Examiner — Sharon S Oum

(74) *Attorney, Agent, or Firm* — Seyfarth Shaw LLP

(57) **CLAIM**

The ornamental design for a ceiling fan, as shown and described.

DESCRIPTION

FIG. 1 is a perspective view of a ceiling fan in accordance with my design, wherein a first side fan is in a first position, and a second side fan is in a second position;

FIG. 2 is a side elevation view of the ceiling fan in accordance with my design, wherein the first side fan is in the first position, and the second side fan is in the second position;

FIG. 3 is a side elevation view of the ceiling fan in accordance with my design, wherein the first side fan is in the second position and the second side fan is in a third position;

FIG. 4 is a top plan view of the ceiling fan in accordance with my design, wherein the first side fan and the second side fan are in the third position;

FIG. 5 is a bottom plan view of the ceiling fan in accordance with my design, wherein the first side fan and the second side fan are in the third position;

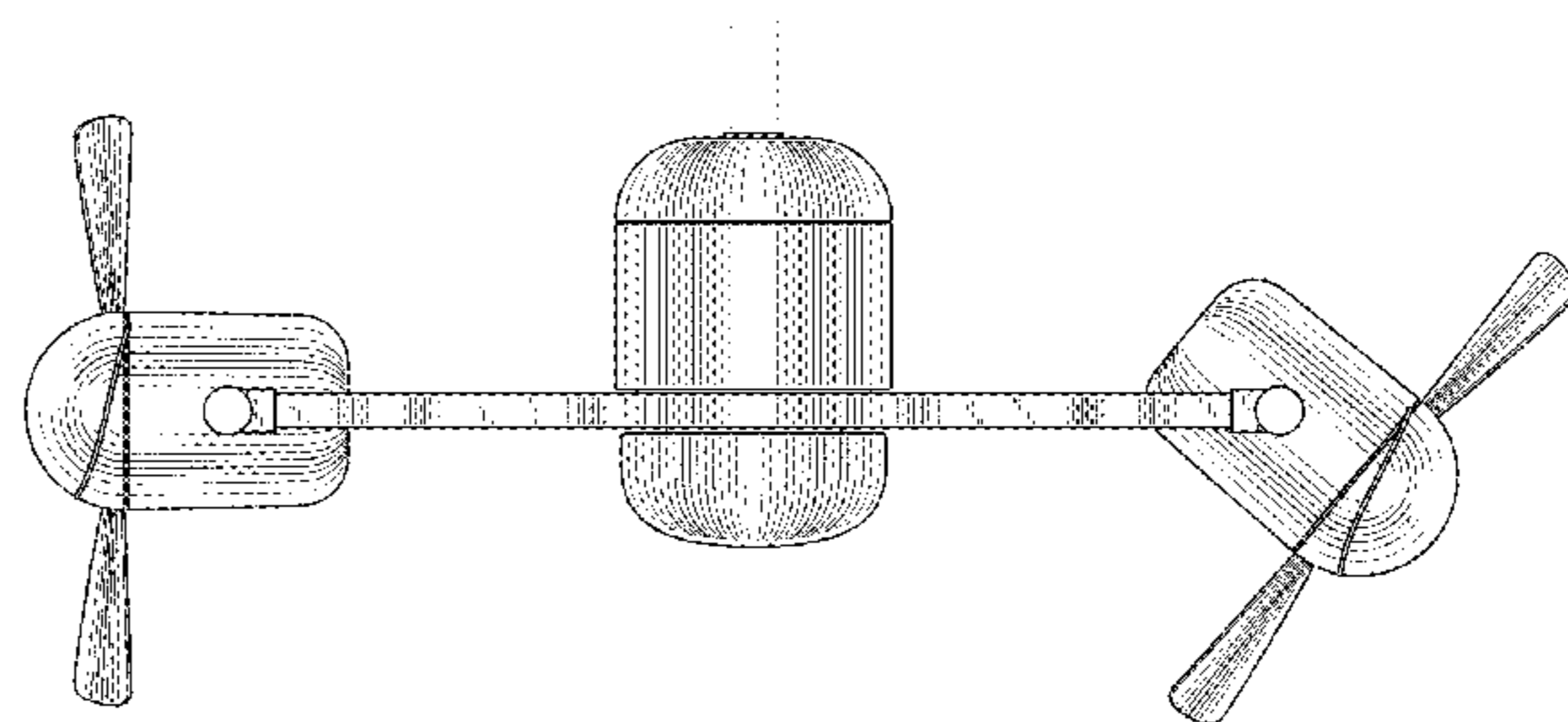
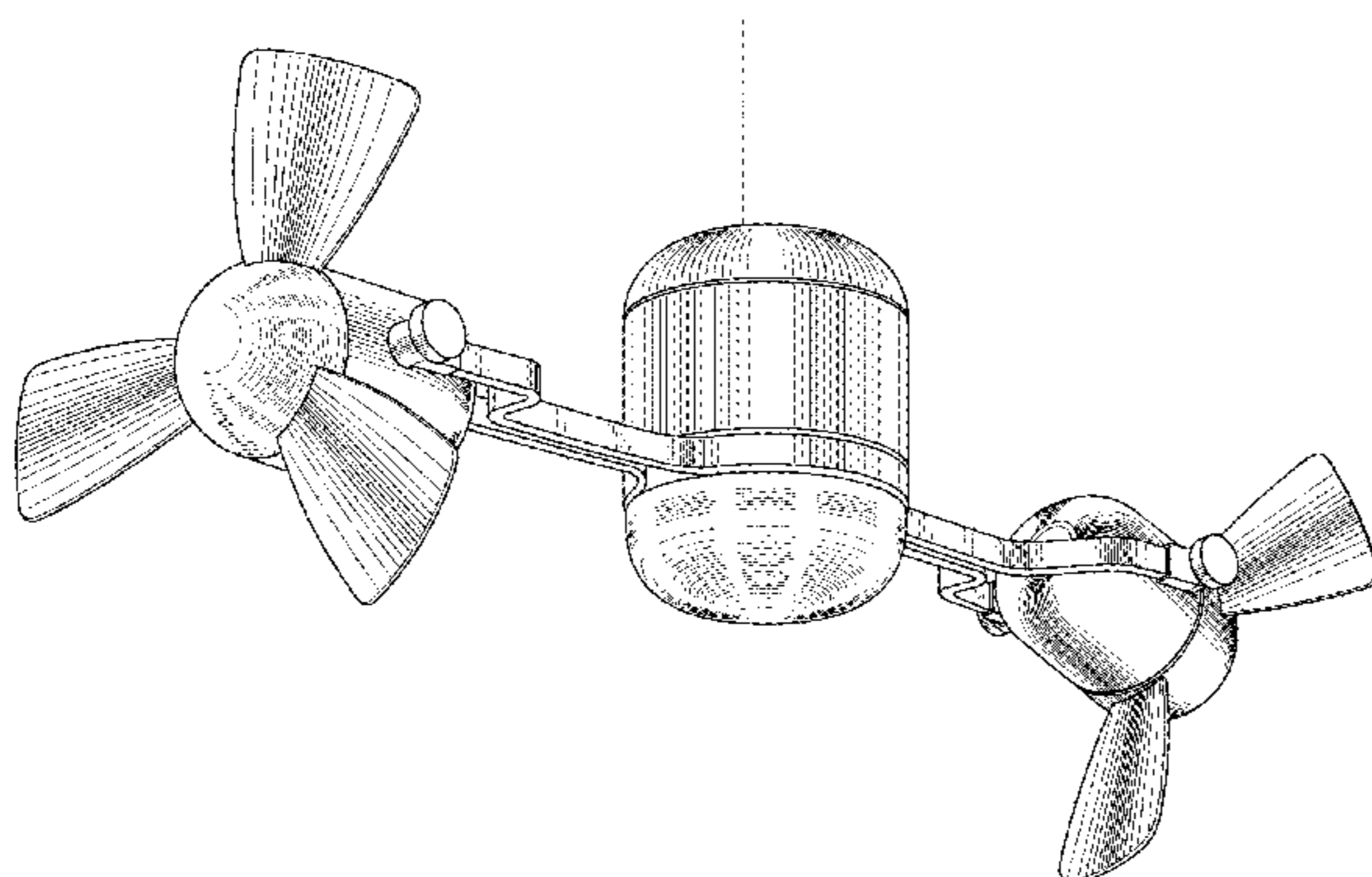
FIG. 6 is a front elevation view of the ceiling fan in accordance with my design, wherein the first side fan is in the second position; and,

FIG. 7 is a back elevation view of the ceiling fan in accordance with my design, wherein the second side fan is in the first position.

The broken lines showing environmental structure form no part of the claimed design.

The lighter and closely spaced lines in the drawings are surface shading and are not surface ornamentation.

1 Claim, 6 Drawing Sheets



(56)

References Cited

U.S. PATENT DOCUMENTS

5,078,632 A * 1/1992 Ogawa B63H 20/245
416/201 R
5,096,383 A * 3/1992 Dobrzynski B64C 11/00
416/124
D384,409 S 9/1997 Jane et al.
D401,194 S * 11/1998 Harwood D12/162
D433,117 S 10/2000 Wolfe
D461,236 S 8/2002 Chura et al.
D464,455 S * 10/2002 Fong D26/63
D476,411 S 6/2003 Friedes
D478,975 S 8/2003 Gajewski
D482,064 S * 11/2003 Steiner D19/123
D484,587 S 12/2003 Bucher
D485,608 S 1/2004 Chen
D489,443 S 5/2004 Gajewski
D490,146 S 5/2004 Gajewski
6,817,830 B1 * 11/2004 Chen F04D 25/166
415/60
6,832,902 B2 12/2004 Gajewski
D506,002 S * 6/2005 Chen D23/377
D506,821 S 6/2005 Chen
6,913,443 B2 * 7/2005 Chen F04D 25/088
416/100
D508,120 S * 8/2005 Chen D23/377
D517,196 S 3/2006 Pickett
D523,550 S 6/2006 Hidalgo
7,077,629 B2 * 7/2006 Chen F04D 25/088
416/110
D526,059 S 8/2006 Hidalgo
D526,400 S 8/2006 Hidalgo
D526,712 S 8/2006 Hidalgo
D532,097 S 11/2006 Hidalgo
D567,350 S 4/2008 Hidalgo
D591,842 S 5/2009 Young
D598,535 S 8/2009 Young
D599,458 S 9/2009 Love
D646,372 S 10/2011 Love
D658,563 S * 5/2012 Hwang D12/214
D690,410 S 9/2013 Passauer, III
D695,683 S * 12/2013 Al D13/115
D799,667 S * 10/2017 Wang D23/377
D799,684 S * 10/2017 Wang D23/411
D808,509 S * 1/2018 Gajewski D23/377
D808,510 S * 1/2018 Gajewski D23/377
2003/0210982 A1 * 11/2003 Chen F04D 25/088
416/5
2003/0231962 A1 12/2003 Gajewski
2004/0081564 A1 * 4/2004 Chen F04D 25/088
417/326

OTHER PUBLICATIONS

“Minka Aire Vintage Gyro Ceiling Fan,” [online]. [Retrieved Nov. 7, 2016]. [web.archive.org/web/*/http://www.minkagroup.net/products/f802-orb](http://www.minkagroup.net/products/f802-orb). Published Aug. 30, 2014.
“Minka Aire Gyro Ceiling Fan,” [online]. [Retrieved Nov. 7, 2016]. [web.archive.org/web/*/http://www.lampsplus.com/products/42-inch-minka-aire-gyro-ceiling-fan_70451.html](http://www.lampsplus.com/products/42-inch-minka-aire-gyro-ceiling-fan_70451.html). Published Dec. 26, 2008.
“Minka Aire Gyro Outdoor Ceiling Fan,” [online]. [Retrieved Nov. 7, 2016]. [web.archive.org/web/20120101000000*/https://www.wayfair.com/Minka-Aire-Twin-Gyro-6-Biade-Outdoor-Turbofan-F402-ORB-MKA1484.html](http://www.wayfair.com/Minka-Aire-Twin-Gyro-6-Biade-Outdoor-Turbofan-F402-ORB-MKA1484.html). Published Jun. 3, 2012.
“Minka Aire Gyro Traditional Ceiling Fan,” [online]. [Retrieved Nov. 7, 2016]. [web.archive.org/web/20140101000000*/http://www.minkagroup.net/products/f502-bcw](http://www.minkagroup.net/products/f502-bcw). Published Aug. 30, 2014.
“Savoy House Skyy Wall Fan {Wall Mounted Fan} Model,” [online]. [Retrieved Nov. 7, 2016]. [web.archive.org/web/20140101000000*/http://www.savoyhouse.com/Skyy-Waii-Fan.html](http://www.savoyhouse.com/Skyy-Waii-Fan.html). Published Sep. 15, 2014.
“Matthews Fan Co. Atlas Acqua Rotational Metal Ceiling Fan,” [online]. [Retrieved Nov. 7, 2016]. [web.archive.org/web/*/http://www.hansenwholesale.com/ceilingfans/matthewsfanco/model.asp?ProdNo=MG-AQ-BN-M](http://www.hansenwholesale.com/ceilingfans/matthewsfanco/model.asp?ProdNo=MG-AQ-BN-M). Published Sep. 20, 2012.
“Savoy House Circulaire Ceiling Fan,” [online]. [Retrieved Nov. 7, 2016]. [web.archive.org/web/*/http://www.lumens.com/circulaire-ceiling-fan-by-savoy-house-uu564956.html](http://www.lumens.com/circulaire-ceiling-fan-by-savoy-house-uu564956.html). Published Dec. 22, 2014.
“Savoy House Sleep Floor Fan {Pedestal Fan} Model,” [online]. [Retrieved Nov. 7, 2016]. [web.archive.org/web/*/https://www.bedbathandbeyond.com/store/product/savoy-house-19-inch-3-speed-floor-pedestal-sleep-fan/3258382](https://www.bedbathandbeyond.com/store/product/savoy-house-19-inch-3-speed-floor-pedestal-sleep-fan/3258382). Published Nov. 23, 2014.
“Savoy House Sleep Fan Table {Table/Desk Fan} Model,” [online]. [Retrieved Nov. 7, 2016]. [web.archive.org/web/*/http://www.hansenwholesale.com/ceilingfans/savoyhouse/model.asp?ProdNo=SV-12-SF-13](http://www.hansenwholesale.com/ceilingfans/savoyhouse/model.asp?ProdNo=SV-12-SF-13). Published Oct. 8, 2015.
“Craftmade Bellows III Ceiling Fan Model,” [online]. [Retrieved Nov. 7, 2016]. [web.archive.org/web/*/http://www.craftmade.com/Craftmade-BW321AG3-Bronze-Outdoor-Ceiling-Fan.HTM](http://www.craftmade.com/Craftmade-BW321AG3-Bronze-Outdoor-Ceiling-Fan.HTM). Published Dec. 25, 2015.
“Craftmade Bellows II Ceiling Fan Model,” [online]. [Retrieved Nov. 7, 2016]. [web.archive.org/web/*/http://www.craftmade.com/Craftmade-BW248AG6-Bronze-Outdoor-Ceiling-Fan.HTM](http://www.craftmade.com/Craftmade-BW248AG6-Bronze-Outdoor-Ceiling-Fan.HTM). Published May 15, 2016.
“Craftmade Bellows I {Wall Mounted Fan} Model,” [online]. [Retrieved Nov. 7, 2016]. [web.archive.org/web/*/http://www.hansenwholesale.com/ceilingfans/craftmade/model.asp?ProdNo=CF-BW116AG3](http://www.hansenwholesale.com/ceilingfans/craftmade/model.asp?ProdNo=CF-BW116AG3). Published Jul. 4, 2015.
“Craftmade Bellows IV {Wall Mounted Fan} Model,” [online]. [Retrieved Nov. 7, 2016]. [web.archive.org/web/*/http://www.craftmade.com/Craftmade-Bellows-iv-v16.htm](http://www.craftmade.com/Craftmade-Bellows-iv-v16.htm). Published Mar. 24, 2016.
“Matthews Fan Co. Atlas Melody Oscillating Wall Fan {Wall Mounted Fan} Model,” [online]. [Retrieved Nov. 7, 2016]. [web.archive.org/web/20150101000000*/http://www.hansenwholesale.com/ceilingfans/matthewsfanco/model.asp?ProdNo=MG-ME-CR](http://www.hansenwholesale.com/ceilingfans/matthewsfanco/model.asp?ProdNo=MG-ME-CR). Published Jun. 17, 2015.
“Matthews Fan Co. Atlas Kaye {Wall Mounted Fan} Model,” [online]. [Retrieved Nov. 7, 2016]. [web.archive.org/web/20130101000000*/http://www.hansenwholesale.com/ceilingfans/matthewsfanco/model.asp?ProdNo=MG-KC-CR](http://www.hansenwholesale.com/ceilingfans/matthewsfanco/model.asp?ProdNo=MG-KC-CR). Published Jul. 7, 2013.
“Minka Aire Gyrette Ceiling Fan Model,” [online]. [Retrieved Nov. 7, 2016]. [web.archive.org/web/*/https://www.wayfair.com/Minka-Aire-36-Gyrette-8-Biade-Turbo-Ceiling-Fan-with-Waii-Controi-F302-XX-MKA2116.html](https://www.wayfair.com/Minka-Aire-36-Gyrette-8-Biade-Turbo-Ceiling-Fan-with-Waii-Controi-F302-XX-MKA2116.html). Published Feb. 24, 2013.
“Fanimation the Extraordinaire Ceiling Fan Model,” [online]. [Retrieved Nov. 7, 2016]. [web.archive.org/web/*/http://www.ylighting.com/fanimation-extraordinaire-ceiling-fan.html](http://www.ylighting.com/fanimation-extraordinaire-ceiling-fan.html). Published May 18, 2011.
“Matthews Fan Co. Vent-Bettina Metal Ceiling Fan Model,” [online]. [Retrieved Nov. 7, 2016]. [web.archive.org/web/*/http://www.hansenwholesale.com/ceilingfans/matthewsfanco/model.asp?ProdNo=VB-CR-MTL](http://www.hansenwholesale.com/ceilingfans/matthewsfanco/model.asp?ProdNo=VB-CR-MTL). Published Sep. 3, 2012.
“Minka Aire 10" Retro Turbofan {Table/Desk Fan} Model,” [online]. [Retrieved Nov. 7, 2016]. [web.archive.org/web/20070101000000*/http://www.hansenwholesale.com/ceilingfans/minkaaire/model.asp?ProdNo=F300-ORB](http://www.hansenwholesale.com/ceilingfans/minkaaire/model.asp?ProdNo=F300-ORB). Published Oct. 11, 2007.
“Fanimation Old Havana Wall Mount {Wall Mounted Fan} Model,” [online]. [Retrieved Nov. 7, 2016]. [web.archive.org/web/*/http://www.hansenwholesale.com/ceilingfans/fanimation/model.asp?ProdNo=FPH21-ORS-FPH61-BL](http://www.hansenwholesale.com/ceilingfans/fanimation/model.asp?ProdNo=FPH21-ORS-FPH61-BL). Published Oct. 9, 2011.
“Ellington Faraday {Wall Mounted Fan} Model,” [online]. [Retrieved Nov. 7, 2016]. [web.archive.org/web/20140101000000*/http://www.delmarfans.com/ellington-ceiling-fans/faraday/far14bnk3w/](http://www.delmarfans.com/ellington-ceiling-fans/faraday/far14bnk3w/). Published Apr. 23, 2014.
“Matthews Fan Co. Atlas Cinni {Table/Desk Fan} Model,” [online]. [Retrieved Nov. 7, 2016]. [web.archive.org/web/http://www.hansenwholesale.com/ceilingfans/matthewsfanco/model.asp?ProdNo=CI-CR](http://www.hansenwholesale.com/ceilingfans/matthewsfanco/model.asp?ProdNo=CI-CR). Published Aug. 31, 2015.
“Fan Motor Cover,” [online]. [Retrieved Nov. 7, 2016]. [web.archive.org/web/20161107060053/http://www.cnofweek.com/Product/Electric-Motor-Fan-Cover-prod-1-0183-84553.html](http://www.cnofweek.com/Product/Electric-Motor-Fan-Cover-prod-1-0183-84553.html). Published Nov. 7, 2016.
“Metropolitan Ceiling Fan by Gulf Coast,” [online]. [Retrieved Nov. 7, 2016]. [web.archive.org/web/*/http://www.balmsfanstore.com/metropolitan.html](http://www.balmsfanstore.com/metropolitan.html). Published Oct. 3, 2009.

(56)

References Cited

OTHER PUBLICATIONS

“Savoy House Circulaire 3 Headed Ceiling Fan,” [online]. [Retrieved Nov. 7, 2016]. [web.archive.org/web/*/http://www.savoyhouse.com/Circulaire-3-Headed-Ceiling-Fan.html](http://www.savoyhouse.com/Circulaire-3-Headed-Ceiling-Fan.html). Published Mar. 4, 2015.

“Case Vieja Esquire 3 Head Ceiling Fan,” [online]. [Retrieved Nov. 7, 2016]. [web.archive.org/web/*/http://www.lampsplus.com/products/38-inch-esquire-rich-bronze-finish-3-head-ceiling-fan_99349.html](http://www.lampsplus.com/products/38-inch-esquire-rich-bronze-finish-3-head-ceiling-fan_99349.html). Published Mar. 27, 2009.

“Emerson Curva 52 Ceiling Fan Model,” [online]. [Retrieved Nov. 8, 2016]. [web.archive.org/web/*/http://www.ansenwholesale.com/ceilingfans/emerson/model.asp?ProdNo=CF252BS](http://www.ansenwholesale.com/ceilingfans/emerson/model.asp?ProdNo=CF252BS). Published Aug. 30, 2014.

“Kichler 48" Celino Ceiling Fan,” [online]. [Retrieved Nov. 7, 2016]. [web.archive.org/web/*/http://www.delmarfans.com/kichler-ceiling-fans/celino/300017mch/](http://www.delmarfans.com/kichler-ceiling-fans/celino/300017mch/). Published Jun. 14, 2012.

“Modern Fan Vela Model,” [online]. [Retrieved Nov. 7, 2016]. [web.archive.org/web/20140101000000*/http://www.umens.com/velo-ceiling-fan-by-modern-fan-company-uu153238.html](http://www.umens.com/velo-ceiling-fan-by-modern-fan-company-uu153238.html). Published Mar. 23, 2014.

“Quorum Trimark Ceiling Fan Model,” [online]. [Retrieved Nov. 7, 2016]. [web.archive.org/web/*/http://www.umens.com/trimark-ceiling-fan-by-quorum-international-uu310234.html](http://www.umens.com/trimark-ceiling-fan-by-quorum-international-uu310234.html). Published Oct. 9, 2013.

“Modern Fan Plum Model,” [online]. [Retrieved Nov. 7, 2016]. [web.archive.org/web/*/http://www.lumens.com/lum-ceiling-fan-by-modern-fan-company-uu387992.html](http://www.lumens.com/lum-ceiling-fan-by-modern-fan-company-uu387992.html). Published Sep. 14, 2013.

“Fanimation The 220 Volt Benito Ceiling Fan Model,” [online]. [Retrieved Nov. 7, 2016]. [web.archive.org/web/*/http://www.ollighting.com/fanimation-benito-uni-ceiling-fan.html](http://www.ollighting.com/fanimation-benito-uni-ceiling-fan.html). Published Oct. 21, 2013.

“Montecarlo Butterfly Ceiling Fan,” [online]. [Retrieved Nov. 7, 2016]. [web.archive.org/web/*/http://www.ylighting.com/montecarlo-fan-company-butterfly-ceiling-fan.html](http://www.ylighting.com/montecarlo-fan-company-butterfly-ceiling-fan.html). Published Feb. 24, 2015.

“Craftmade Dane Ceiling Fan Model,” [online]. [Retrieved Nov. 7, 2016]. [web.archive.org/web/20130101000000*/http://www.delmarfans.com/craftmade-ceiling-fans/dane/da30ss3/](http://www.delmarfans.com/craftmade-ceiling-fans/dane/da30ss3/). Published Apr. 24, 2013.

“Montecarlo Colony II Ceiling Fan Model,” [online]. [Retrieved Nov. 7, 2016]. [web.archive.org/web/*/https://www.wayfair.com/Monte-Carlo-Fan-Company-28-Colony-II-4-Biade-Ceiling-Fan-4C028BK-MON2533.html](https://www.wayfair.com/Monte-Carlo-Fan-Company-28-Colony-II-4-Biade-Ceiling-Fan-4C028BK-MON2533.html). Published Jul. 4, 2012.

* cited by examiner

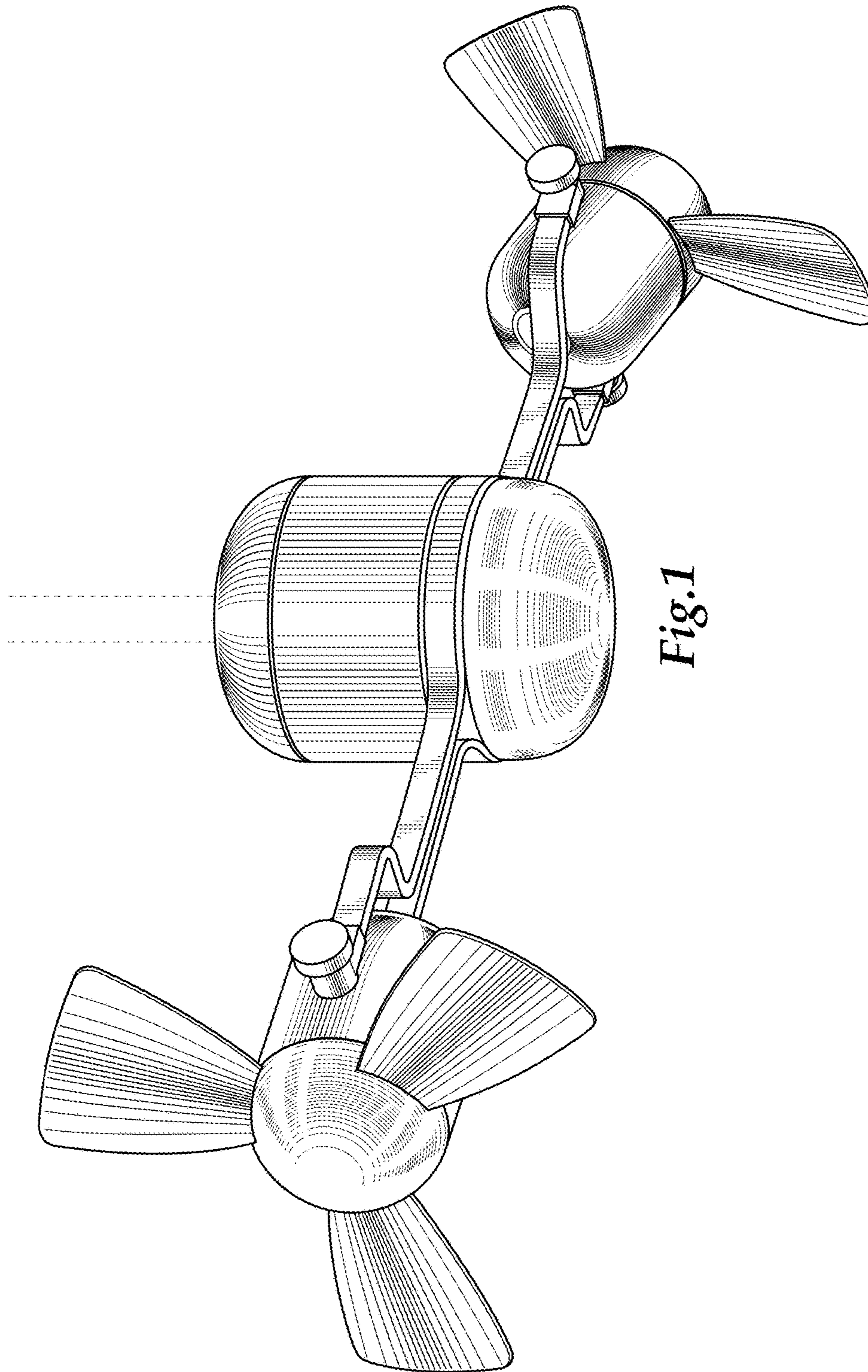


Fig.1

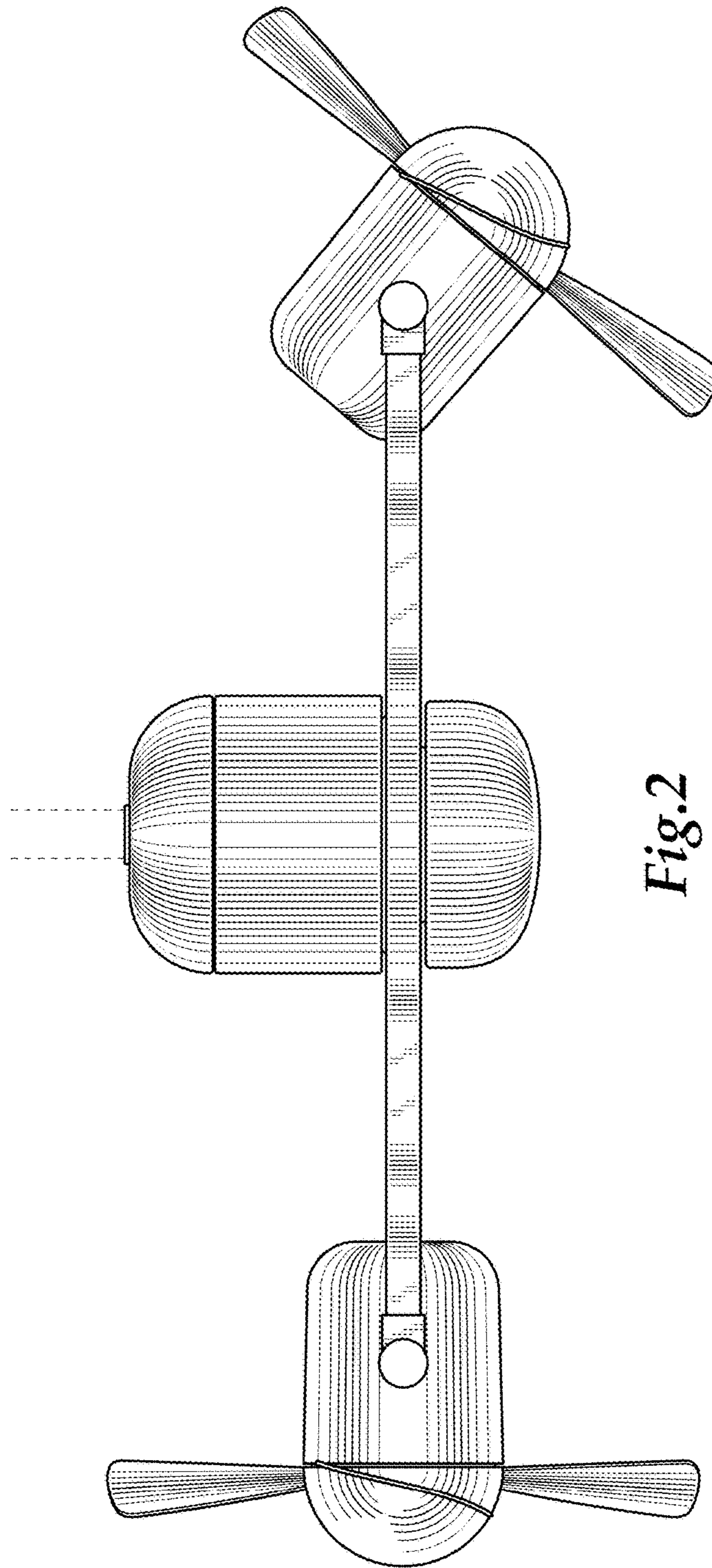


Fig. 2

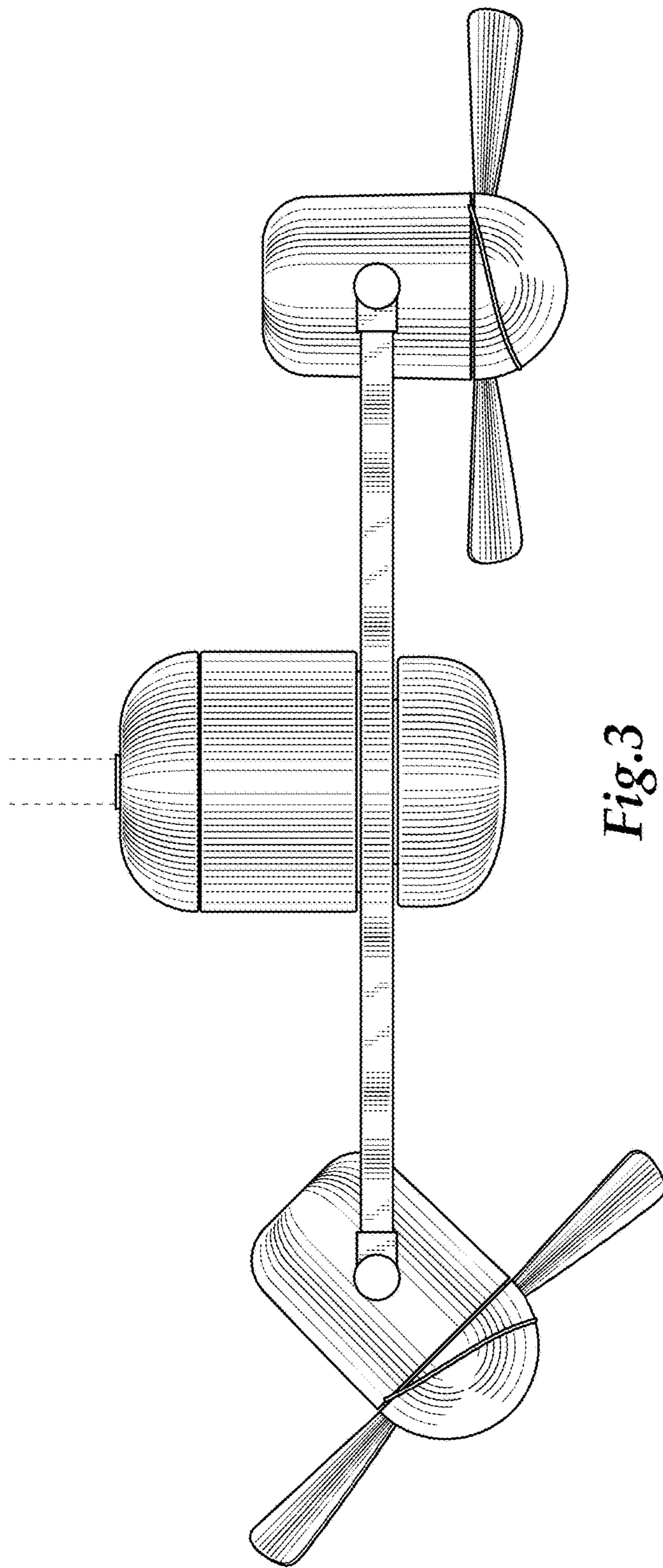


Fig. 3

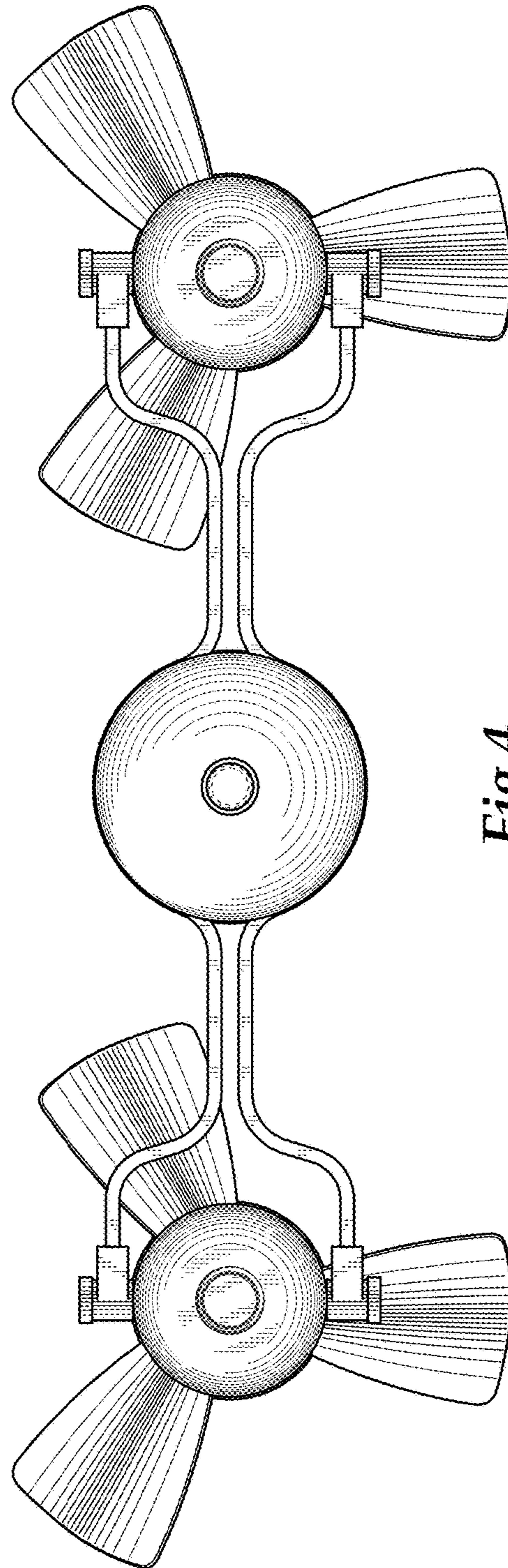


Fig. 4

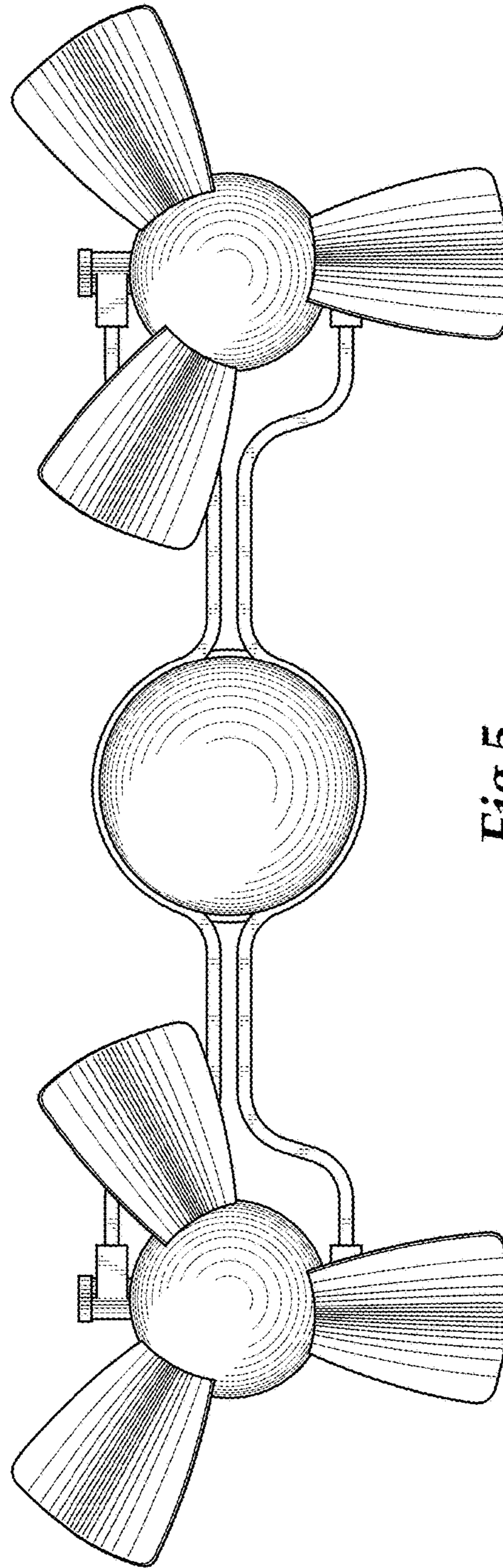


Fig.5

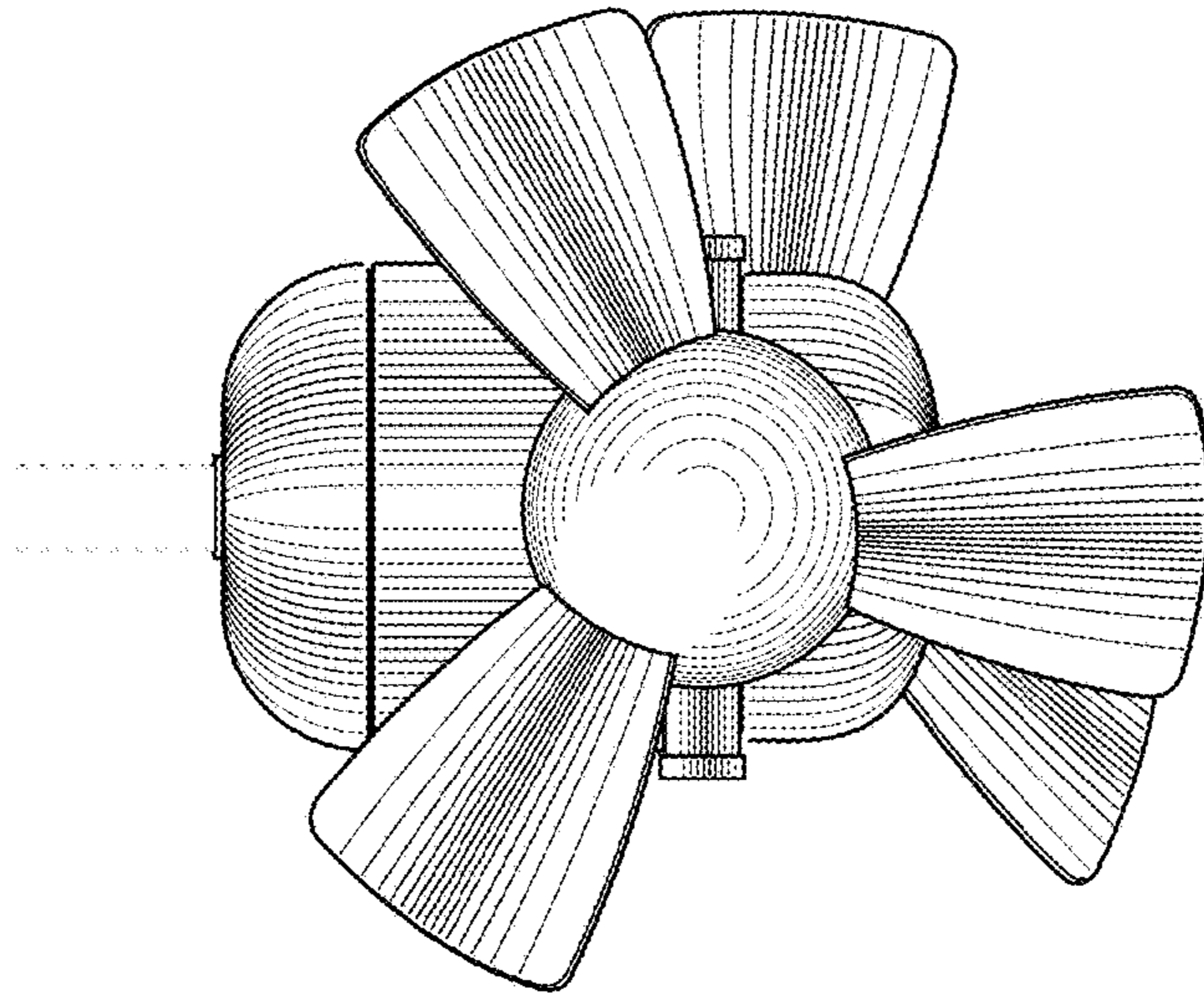


Fig. 7

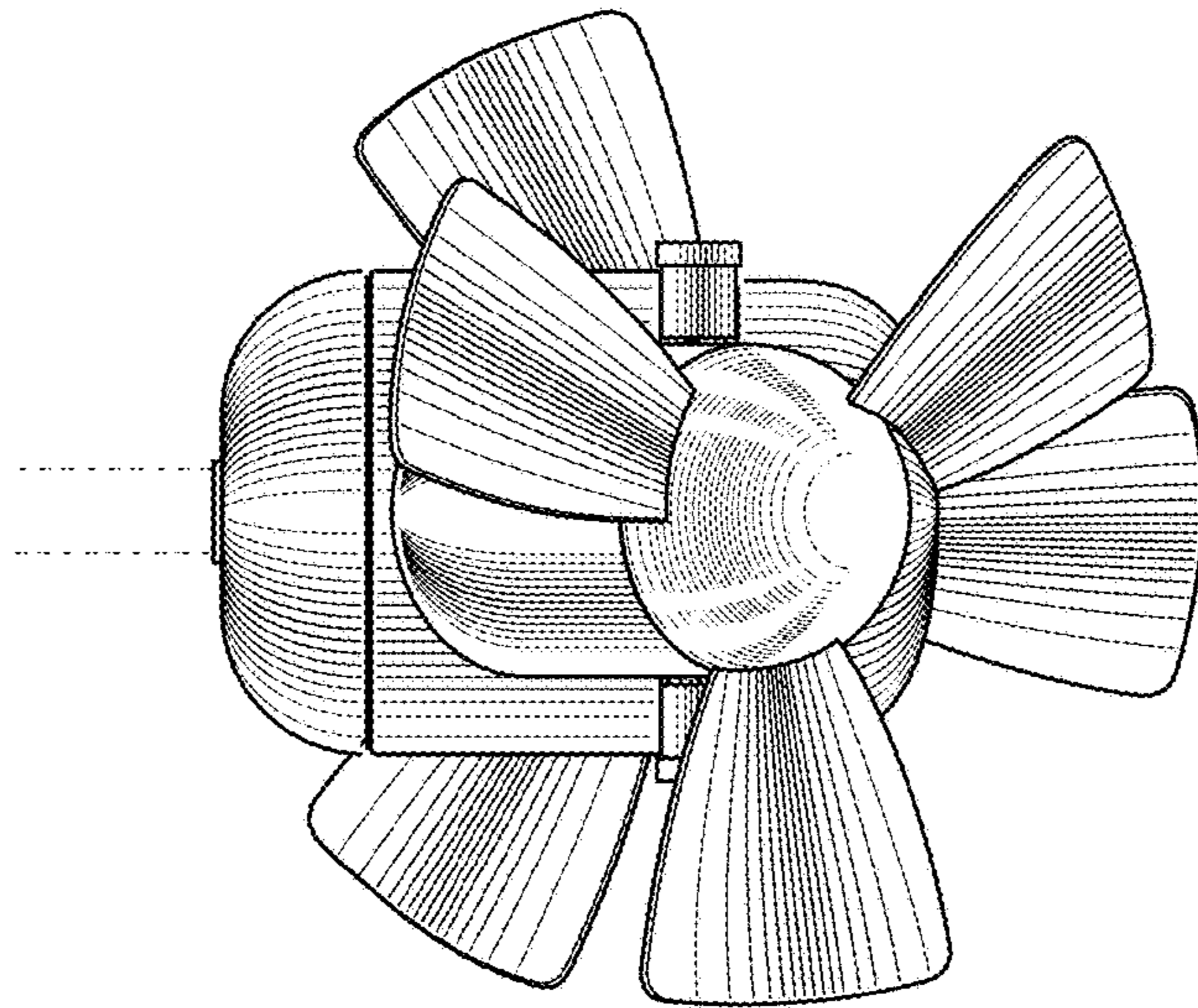


Fig. 6