



US00D861848S

(12) **United States Design Patent**  
**Lee**

(10) **Patent No.:** **US D861,848 S**  
(45) **Date of Patent:** **\*\* Oct. 1, 2019**

(54) **AROMA CANDLE**  
(71) Applicant: **Bloomy Lotus Ltd**, Hong Kong (HK)  
(72) Inventor: **Leander Lee**, Hong Kong (HK)  
(73) Assignee: **Bloomy Lotus Ltd**, Hong Kong (HK)  
(\*\*) Term: **15 Years**  
(21) Appl. No.: **29/656,166**  
(22) Filed: **Jul. 11, 2018**  
(30) **Foreign Application Priority Data**

D517,183 S \* 3/2006 Huang ..... D23/365  
D557,681 S \* 12/2007 Silva ..... A01M 1/205  
D14/188  
D615,530 S \* 5/2010 Dobson ..... H04R 1/028  
D14/216  
7,824,627 B2 \* 11/2010 Michaels ..... A01M 1/205  
239/102.2  
D635,653 S \* 4/2011 Conway ..... A01M 1/2033  
D11/152  
D700,591 S \* 3/2014 Xiao ..... D14/216  
D780,160 S \* 2/2017 Hinokio ..... D14/215  
D806,843 S \* 1/2018 McDonnell ..... D23/355  
D807,226 S \* 1/2018 Wessel ..... D11/131.1  
9,943,068 B2 \* 4/2018 Valle ..... A01K 15/025  
D820,427 S \* 6/2018 Li ..... D23/366  
D847,323 S \* 4/2019 Gan ..... D23/356  
2011/0148329 A1 \* 6/2011 Demarest ..... A01M 1/2033  
315/313

Feb. 13, 2018 (HK) ..... 1800297.8M002  
(51) **LOC (12) Cl.** ..... **23-04**  
(52) **U.S. Cl.**  
USPC ..... **D23/366**  
(58) **Field of Classification Search**  
USPC .... D23/208, 355-369; D14/209.1, 212-213;  
D11/144  
CPC ..... A61L 9/02; A61L 9/03; A61L 9/12; A61L  
9/035; A61L 9/125  
See application file for complete search history.

\* cited by examiner

*Primary Examiner* — Sheryl Lane  
*Assistant Examiner* — Calvin E Vansant

(56) **References Cited**

**U.S. PATENT DOCUMENTS**

D215,449 S \* 10/1969 Kaminski ..... A01M 1/205  
D14/212  
D218,614 S \* 9/1970 Yurdin ..... A01M 1/205  
D14/212  
D223,255 S \* 4/1972 Boldt ..... A01K 15/025  
D14/212  
D277,853 S \* 3/1985 Thomas ..... A01M 1/2033  
D14/212  
D334,750 S \* 4/1993 Negishi ..... D14/213  
5,995,634 A \* 11/1999 Zwolski ..... H04R 1/028  
181/155  
D493,874 S \* 8/2004 Woods ..... A01M 1/205  
D23/364

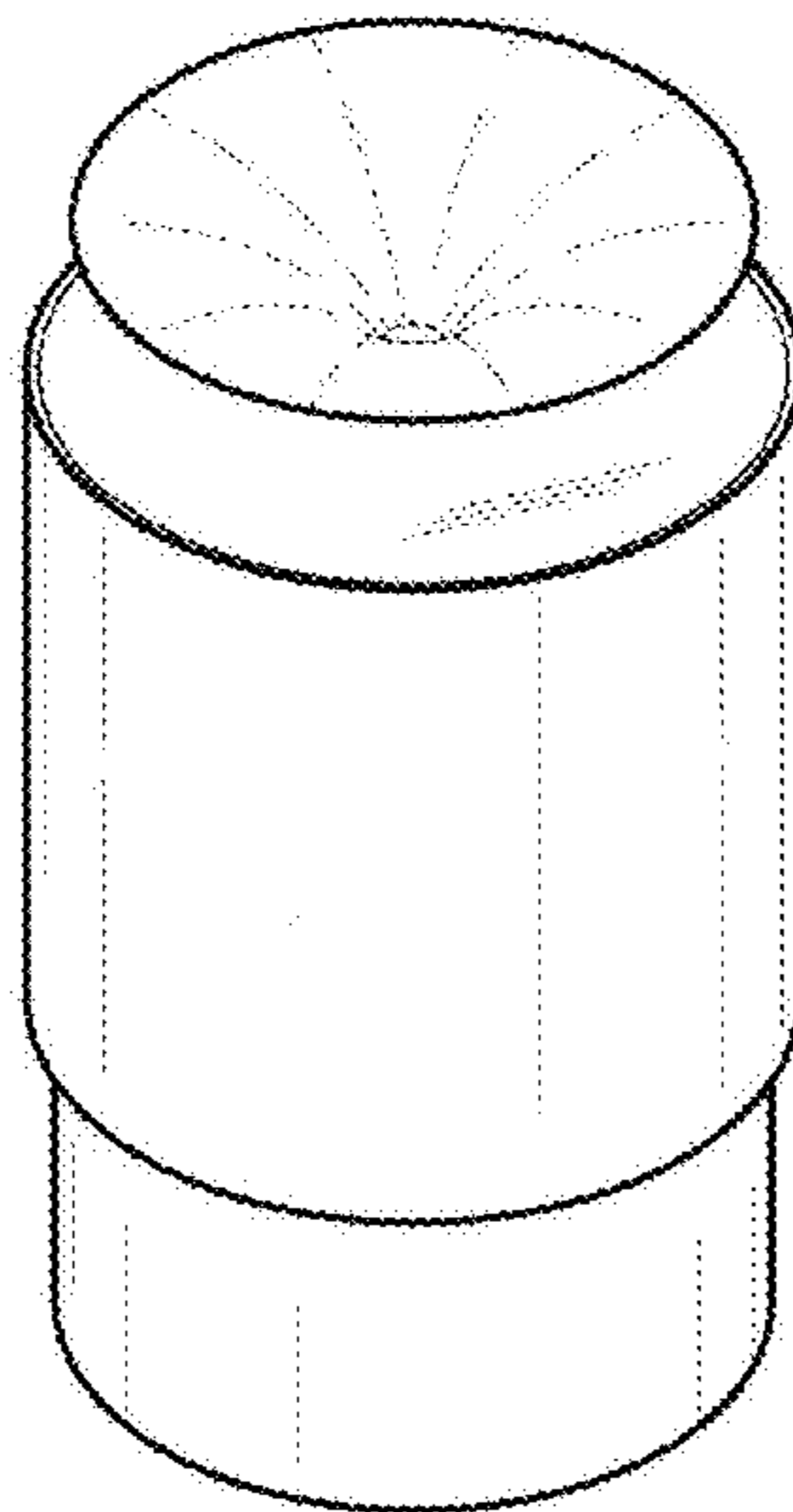
(57) **CLAIM**

The ornamental design for an aroma candle, as shown and described.

**DESCRIPTION**

FIG. 1 is a front elevational view of an aroma candle showing my new design;  
FIG. 2 is a rear elevational view thereof;  
FIG. 3 is a left side view thereof;  
FIG. 4 is a right side view thereof;  
FIG. 5 is a top plan view thereof;  
FIG. 6 is a bottom plan view thereof;  
FIG. 7 is a top perspective view thereof; and,  
FIG. 8 is a bottom perspective view thereof.  
The broken lines in the drawings illustrate portions of the aroma candle which form no part of the claimed design.

**1 Claim, 8 Drawing Sheets**



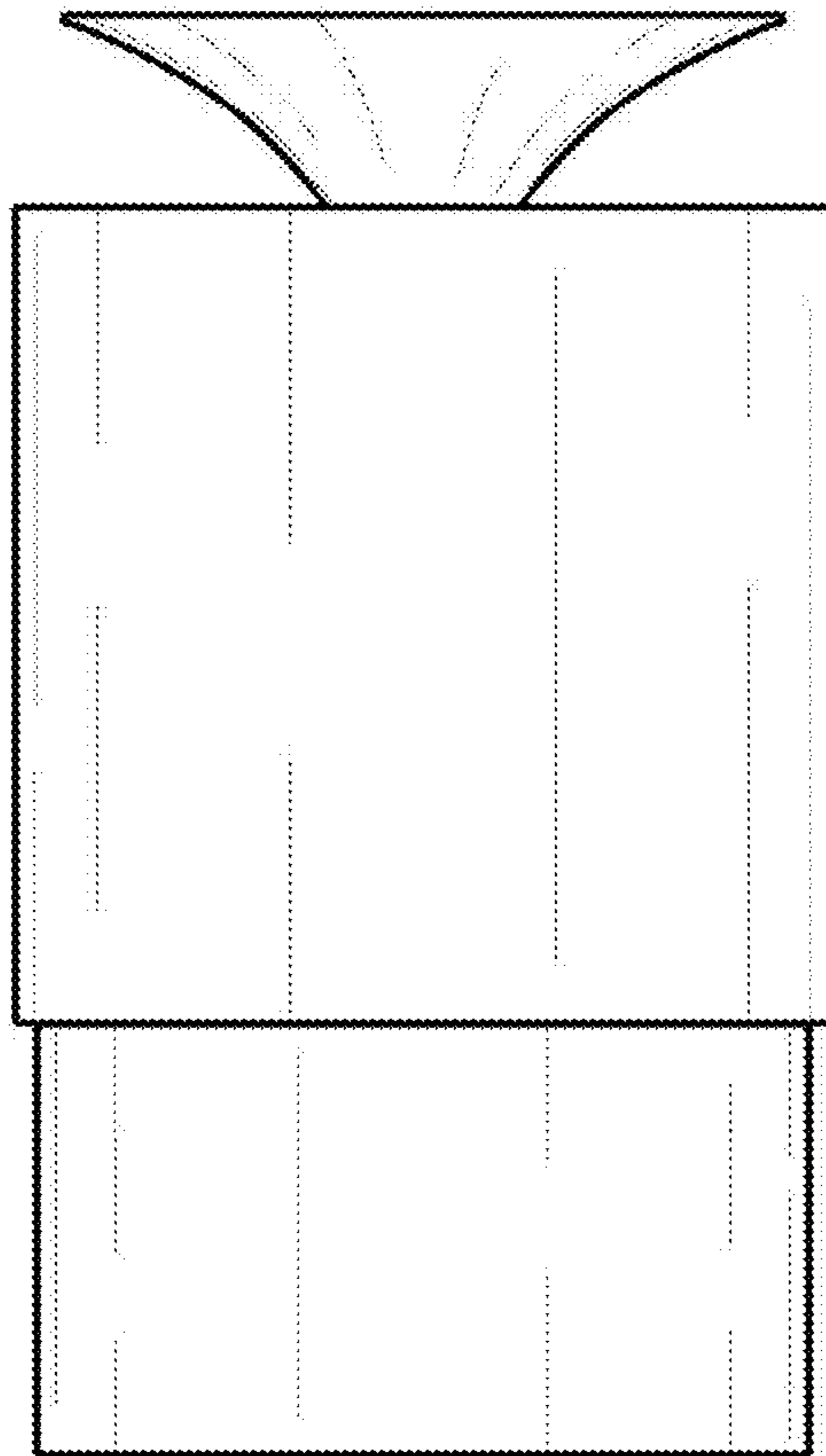


Fig. 1

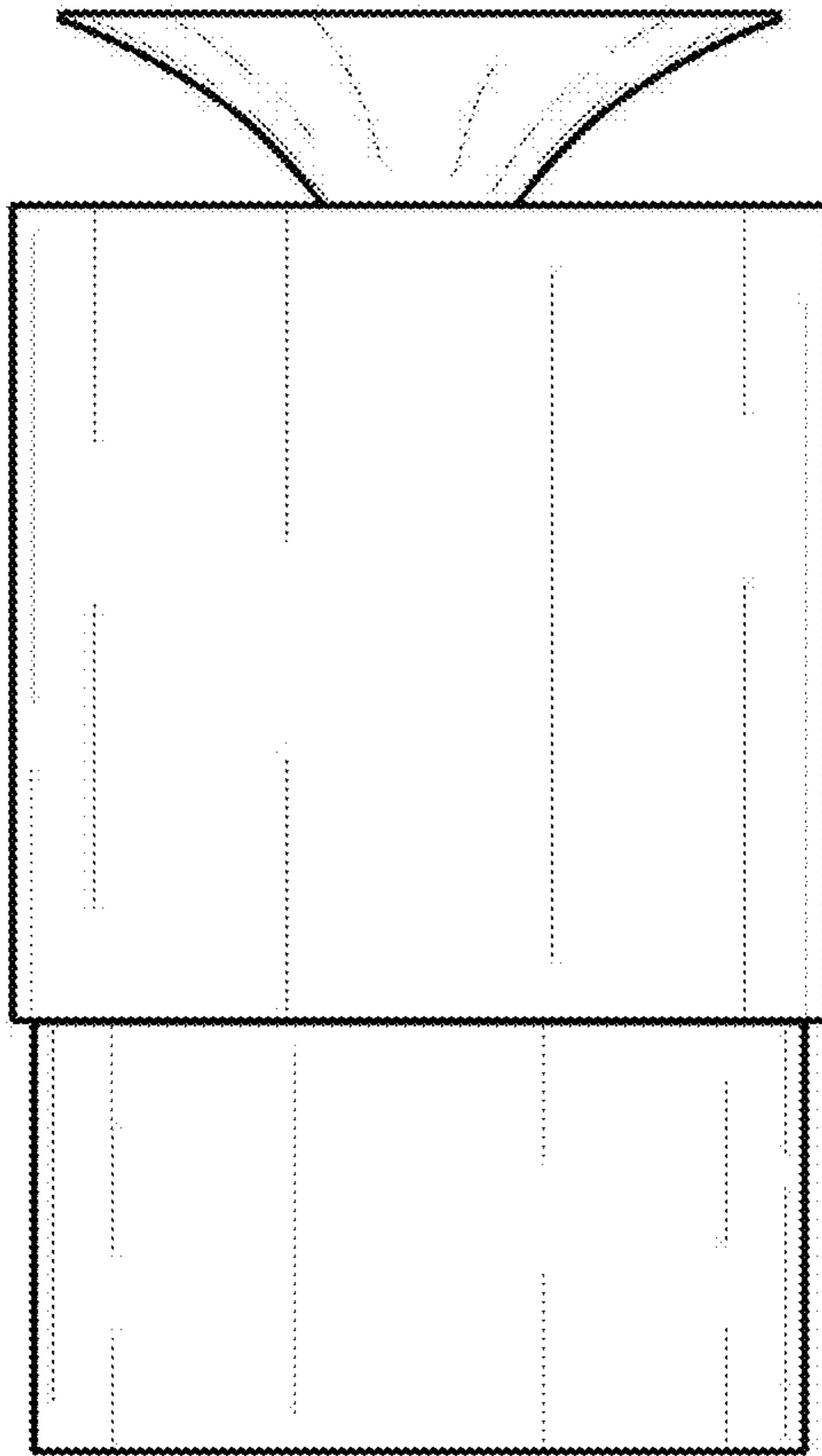


Fig. 2

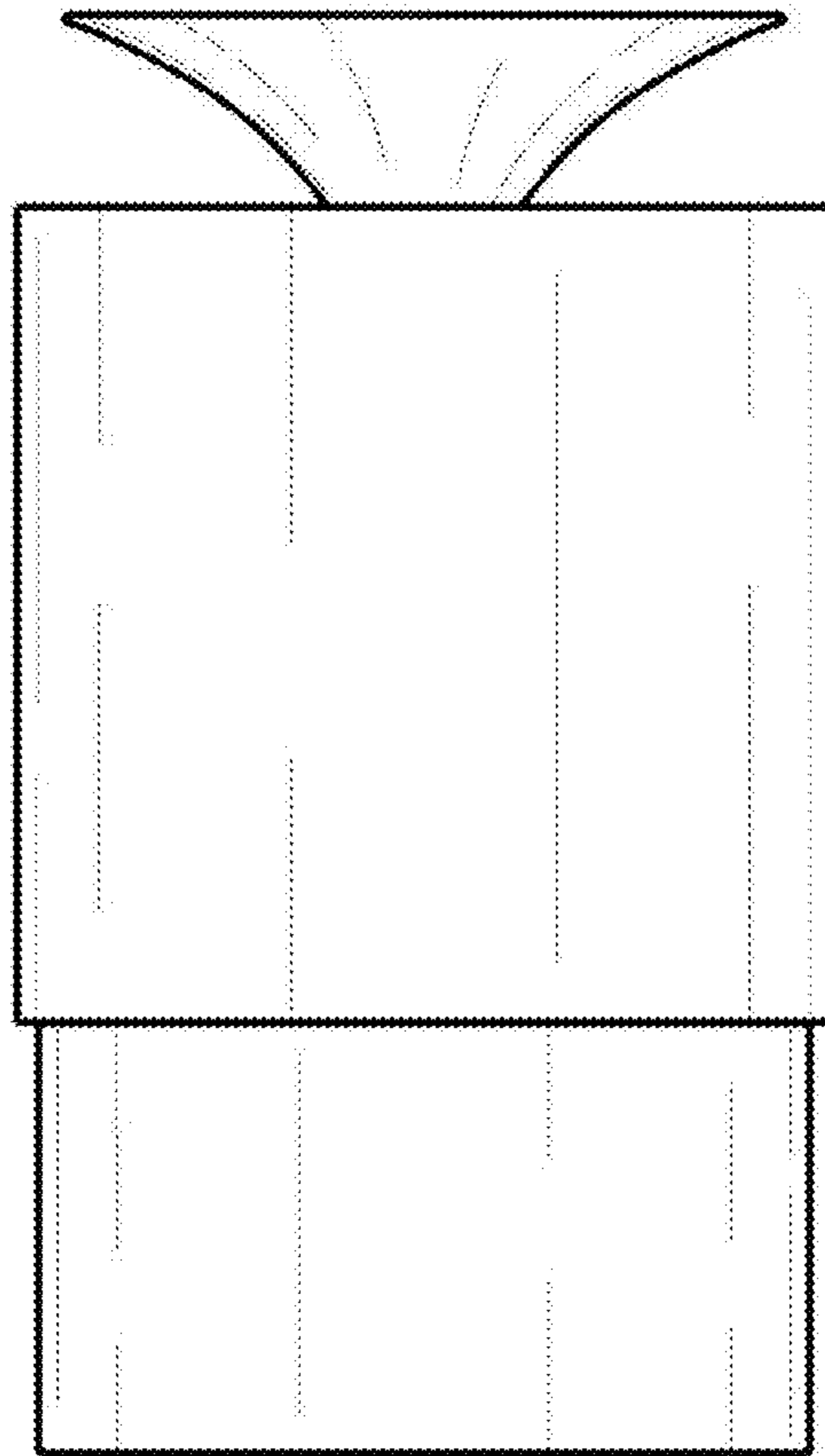


Fig. 3

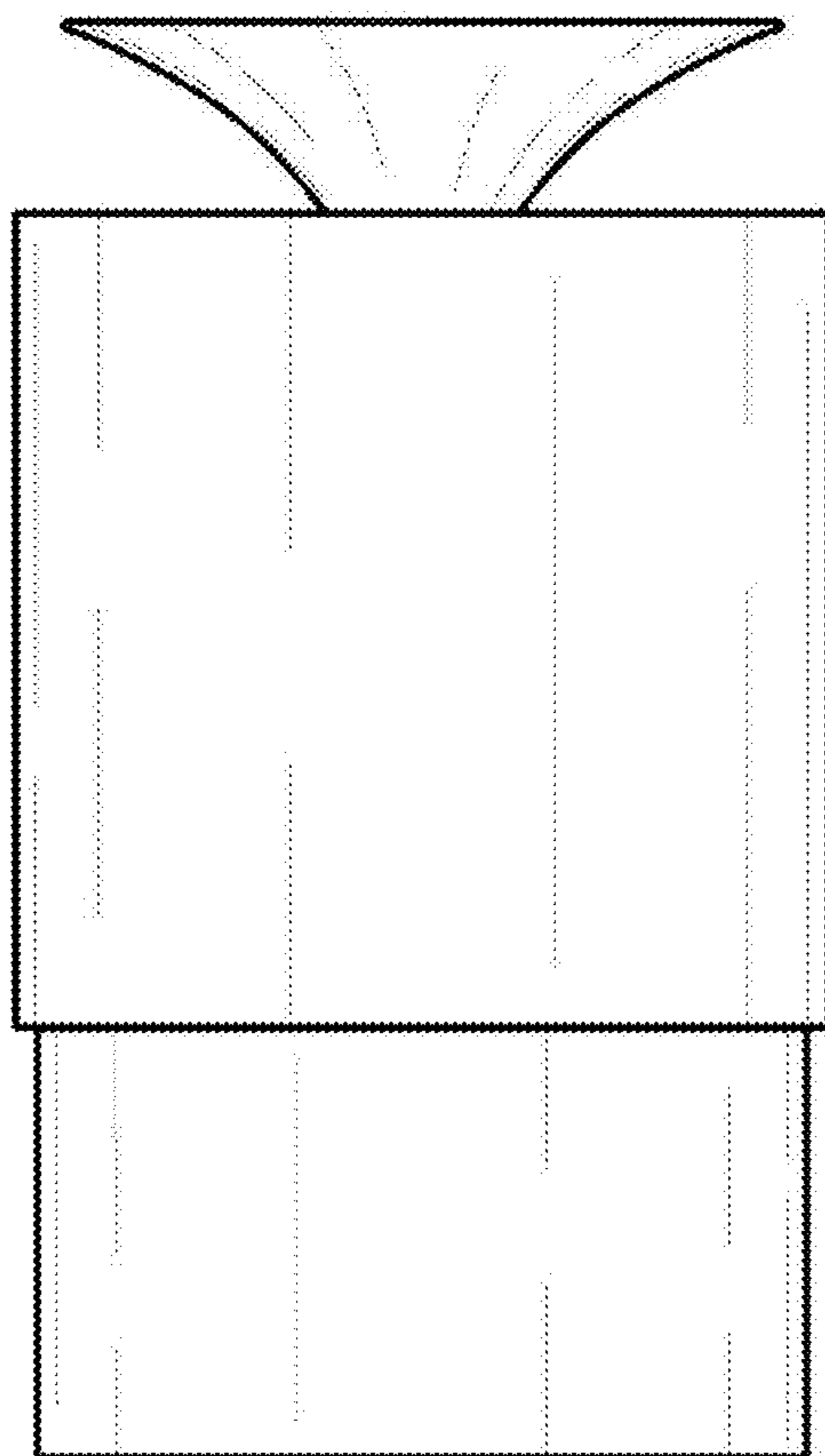


Fig. 4

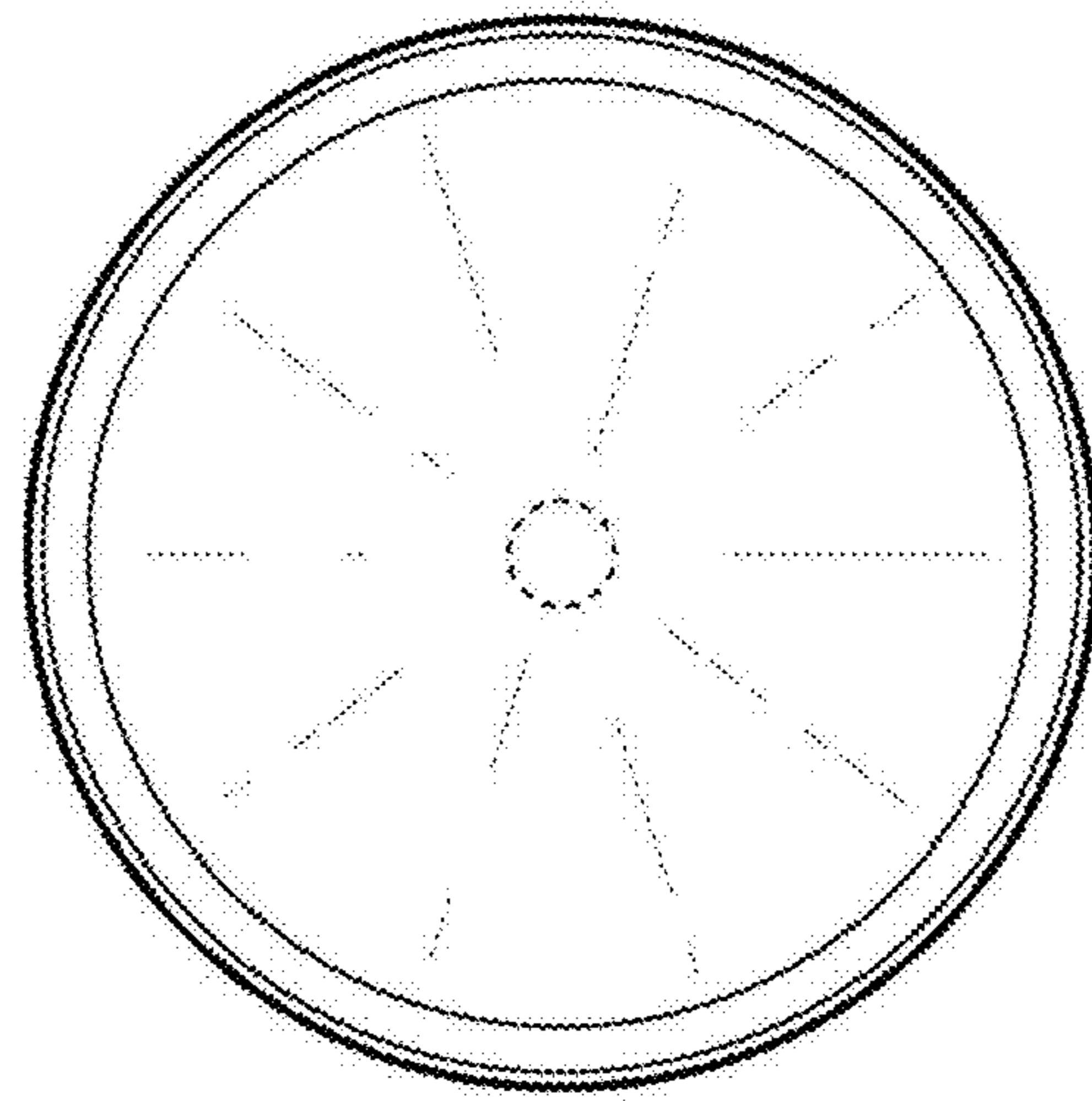


Fig. 5

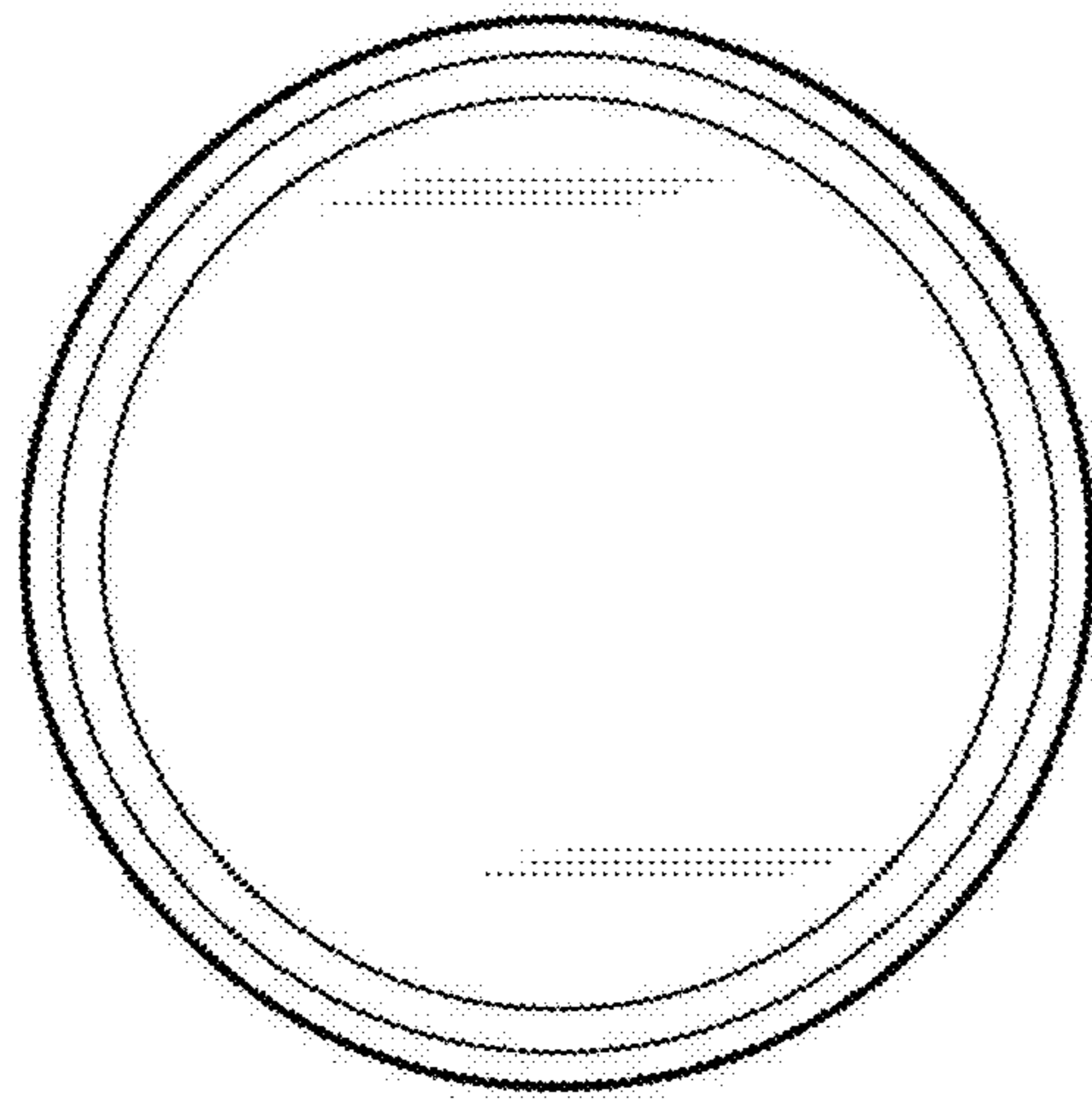


Fig. 6

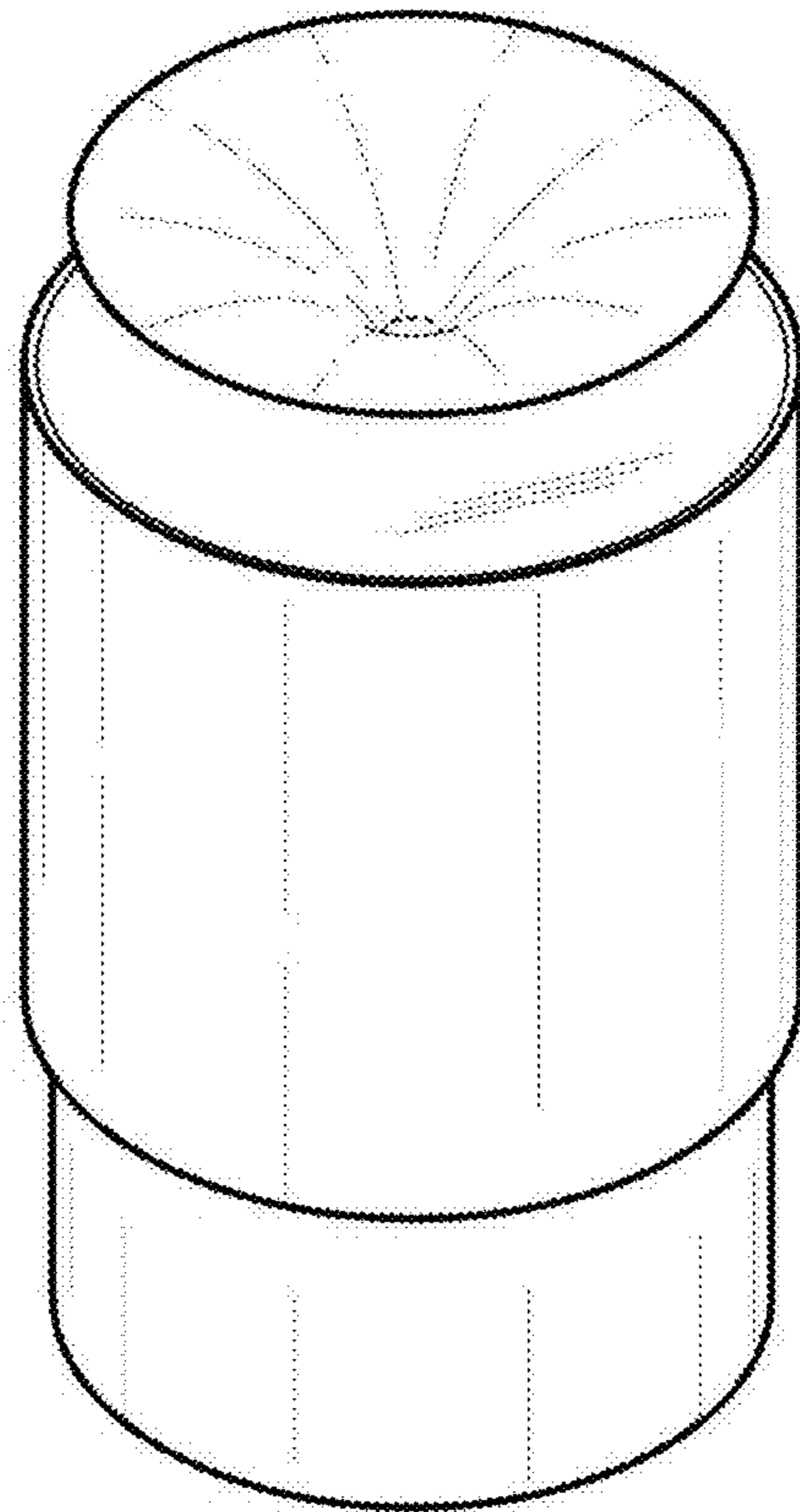


Fig. 7



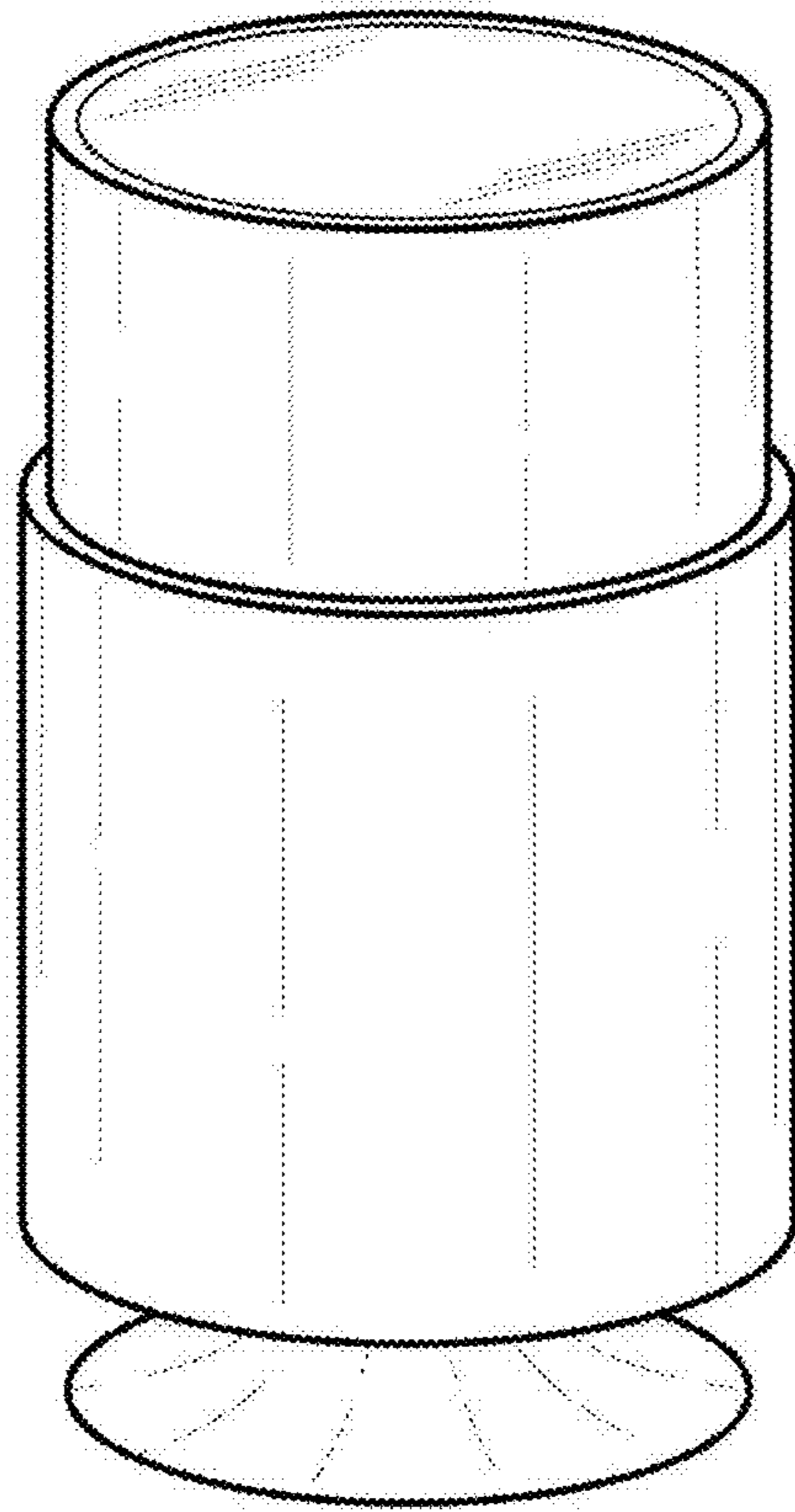


Fig. 8