



US00D861847S

(12) **United States Design Patent**  
**Li**

(10) **Patent No.:** **US D861,847 S**

(45) **Date of Patent:** **\*\* Oct. 1, 2019**

(54) **AROMA DIFFUSER**

(71) Applicant: **Puzhen Life Co., Limited**, Hong Kong (HK)

(72) Inventor: **Dong Sheng Li**, Hong Kong (HK)

(73) Assignee: **Puzhen Life Co., Limited**, Hong Kong (HK)

(\*\*) Term: **15 Years**

(21) Appl. No.: **29/627,209**

(22) Filed: **Nov. 23, 2017**

(30) **Foreign Application Priority Data**

May 26, 2017 (HK) ..... 1701024.0M001

(51) **LOC (12) Cl.** ..... **28-99**

(52) **U.S. Cl.**  
USPC ..... **D23/366**

(58) **Field of Classification Search**

USPC ..... D23/314, 325, 333-336, 355-369,  
D23/386-388; D6/314; D14/209, 215,  
D14/216; D9/522, 549, 566; D20/43  
CPC . A61L 9/03; A61L 9/012; A61L 9/015; A61L  
9/037; F41J 1/01  
See application file for complete search history.

(56) **References Cited**

**U.S. PATENT DOCUMENTS**

D221,657 S \* 8/1971 Katzman ..... D23/362  
D611,588 S \* 3/2010 Jorgensen ..... D23/366

D621,495 S \* 8/2010 Li ..... D23/366  
D692,547 S \* 10/2013 Wirz ..... D23/366  
D692,551 S \* 10/2013 Wirz ..... D23/366  
D697,800 S \* 1/2014 Villarreal ..... D28/82  
D698,429 S \* 1/2014 Jorgensen ..... D23/366  
D753,279 S \* 4/2016 Li ..... D23/366  
D800,285 S \* 10/2017 Seo ..... D23/358  
D811,570 S \* 2/2018 Tang ..... D23/356  
D813,366 S \* 3/2018 Tang ..... D23/366  
D824,765 S \* 8/2018 Metais ..... D9/504  
D829,877 S \* 10/2018 Liu ..... D23/366

\* cited by examiner

*Primary Examiner* — Brandon M Rosati

*Assistant Examiner* — John A Voytek

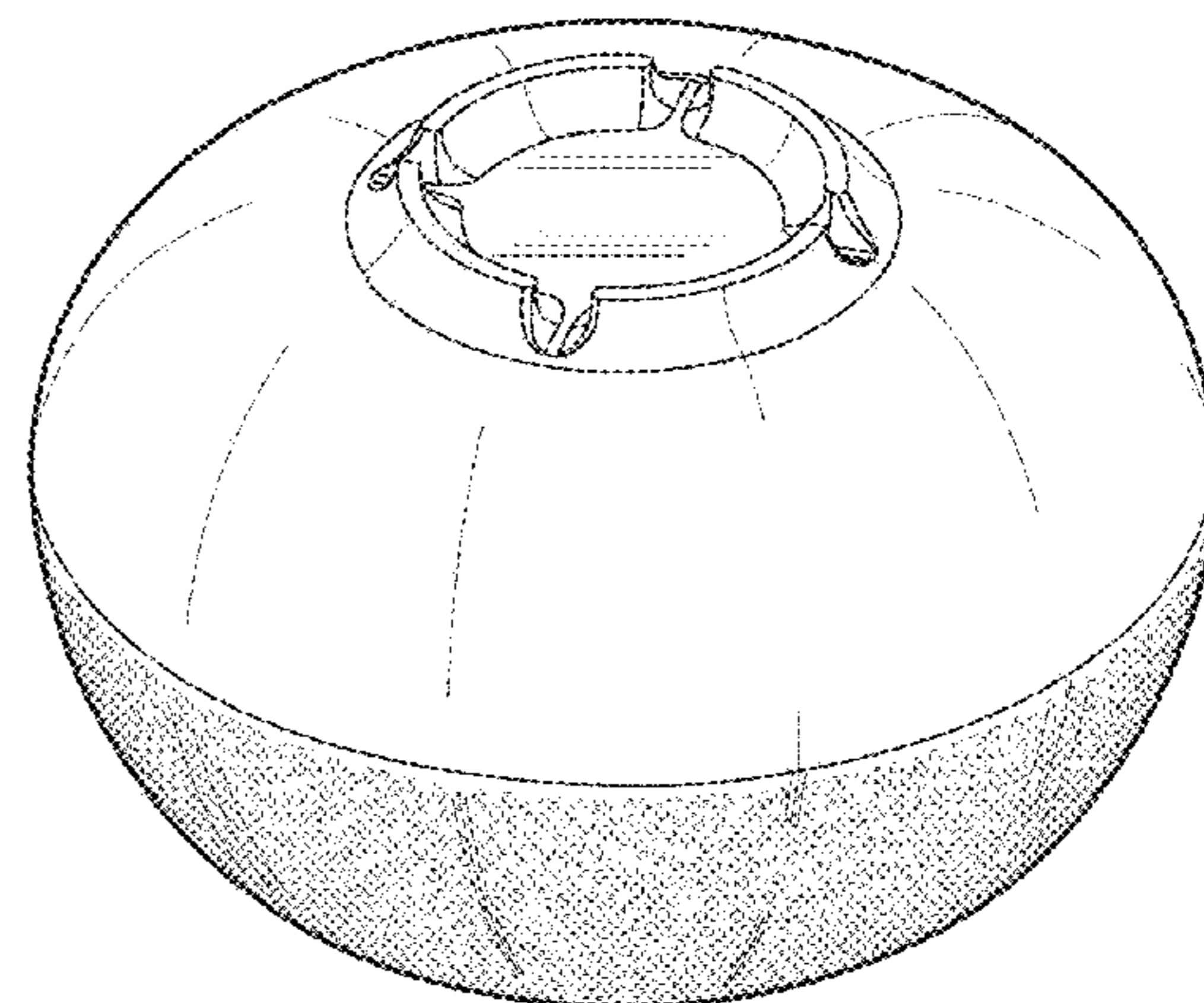
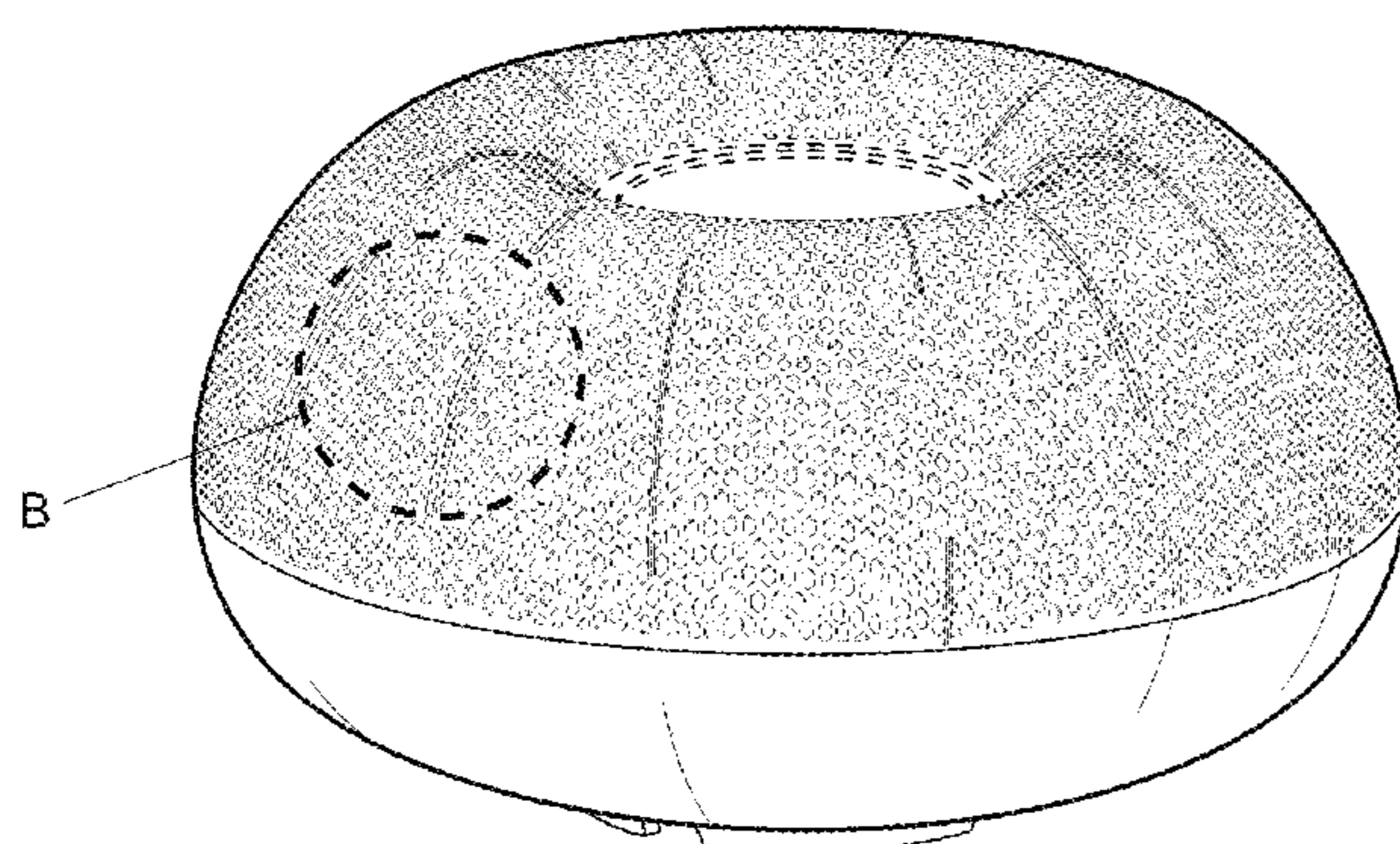
(57) **CLAIM**

The ornamental design for an aroma diffuser, as shown and described.

**DESCRIPTION**

FIG. 1 is a front elevational view of an aroma diffuser showing my new design;  
FIG. 2 is a rear elevational view thereof;  
FIG. 3 is a left side view thereof;  
FIG. 4 is a right side view thereof;  
FIG. 5 is a top plan view thereof;  
FIG. 6 is a bottom plan view thereof;  
FIG. 7 is a first perspective view thereof;  
FIG. 8 is a second perspective view thereof;  
FIG. 9 is an enlarged view of Part A shown in FIG. 5; and,  
FIG. 10 is an enlarged view of Part B shown in FIG. 7.  
The broken lines in the drawings illustrate portions of the aroma diffuser which form no part of the claimed design.

**1 Claim, 10 Drawing Sheets**



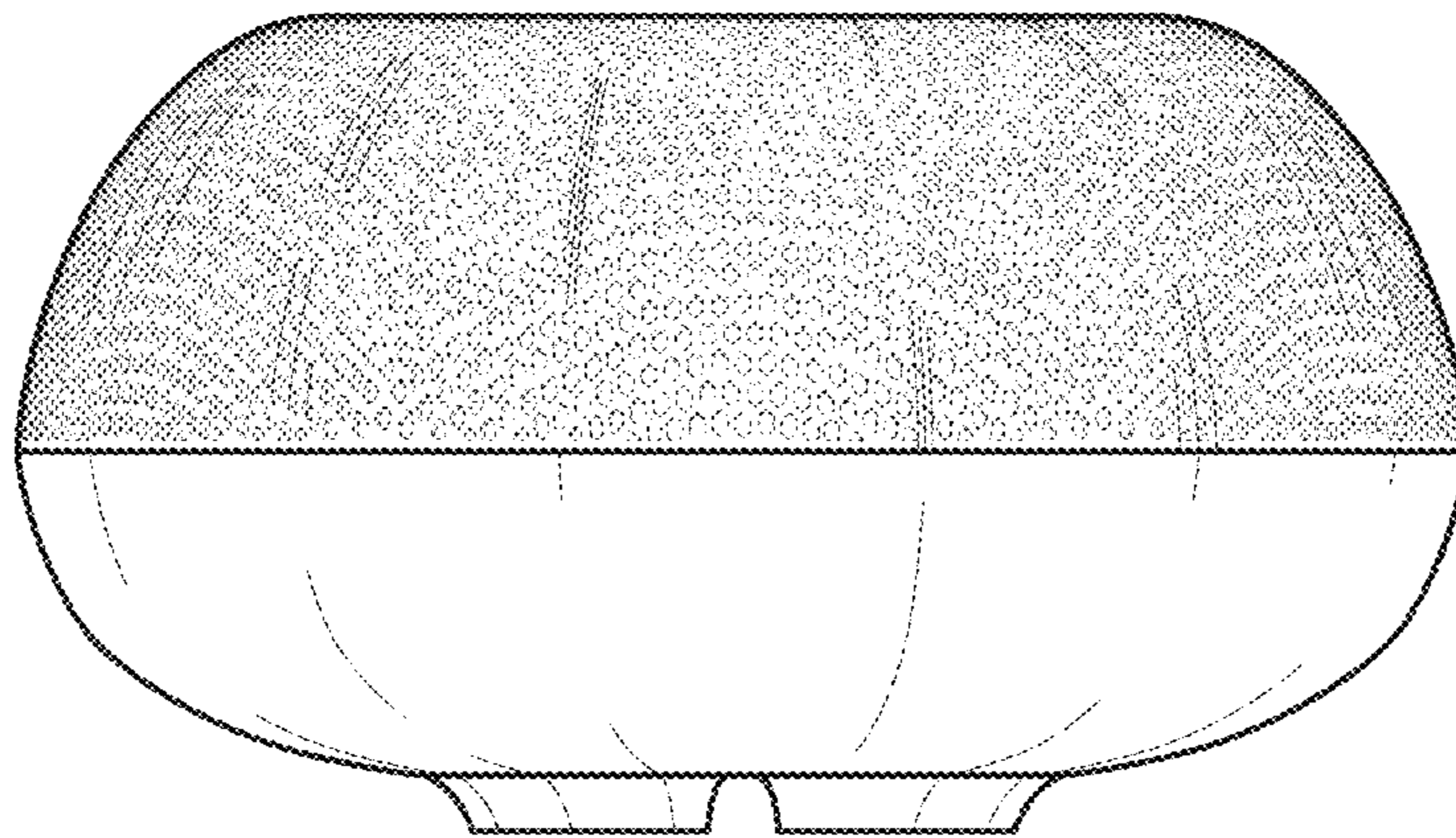


Fig. 1

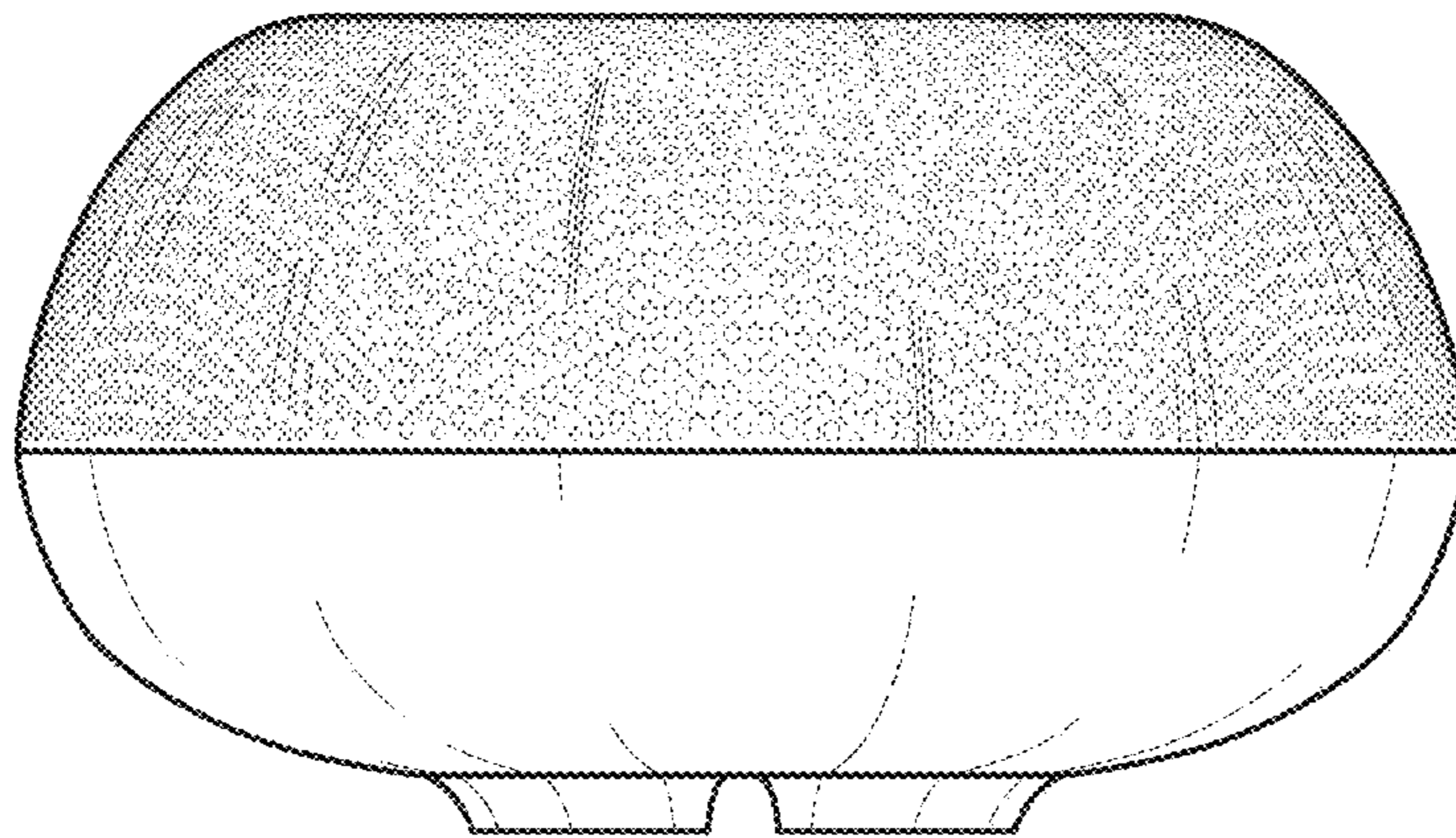


Fig. 2

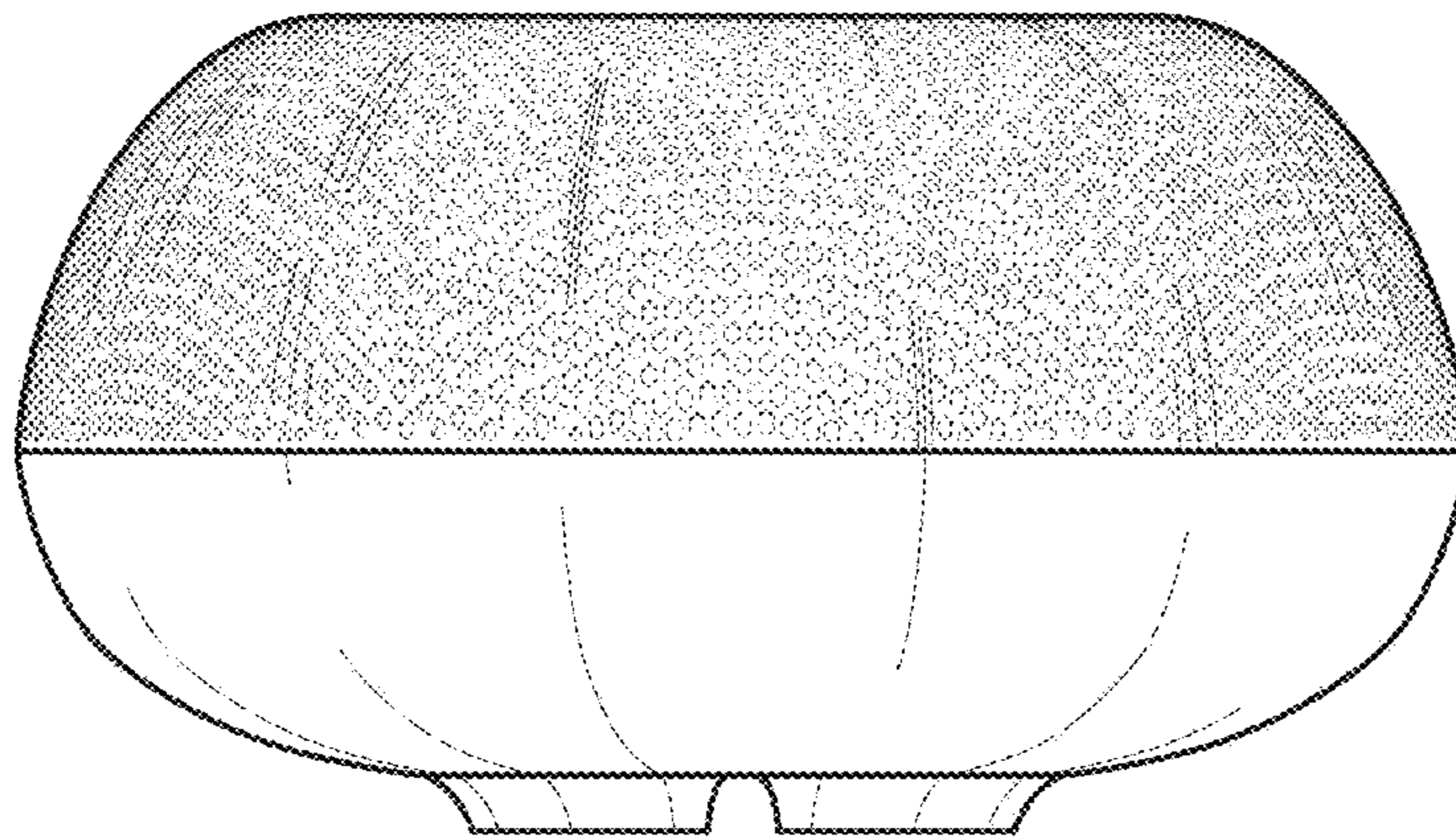


Fig. 3

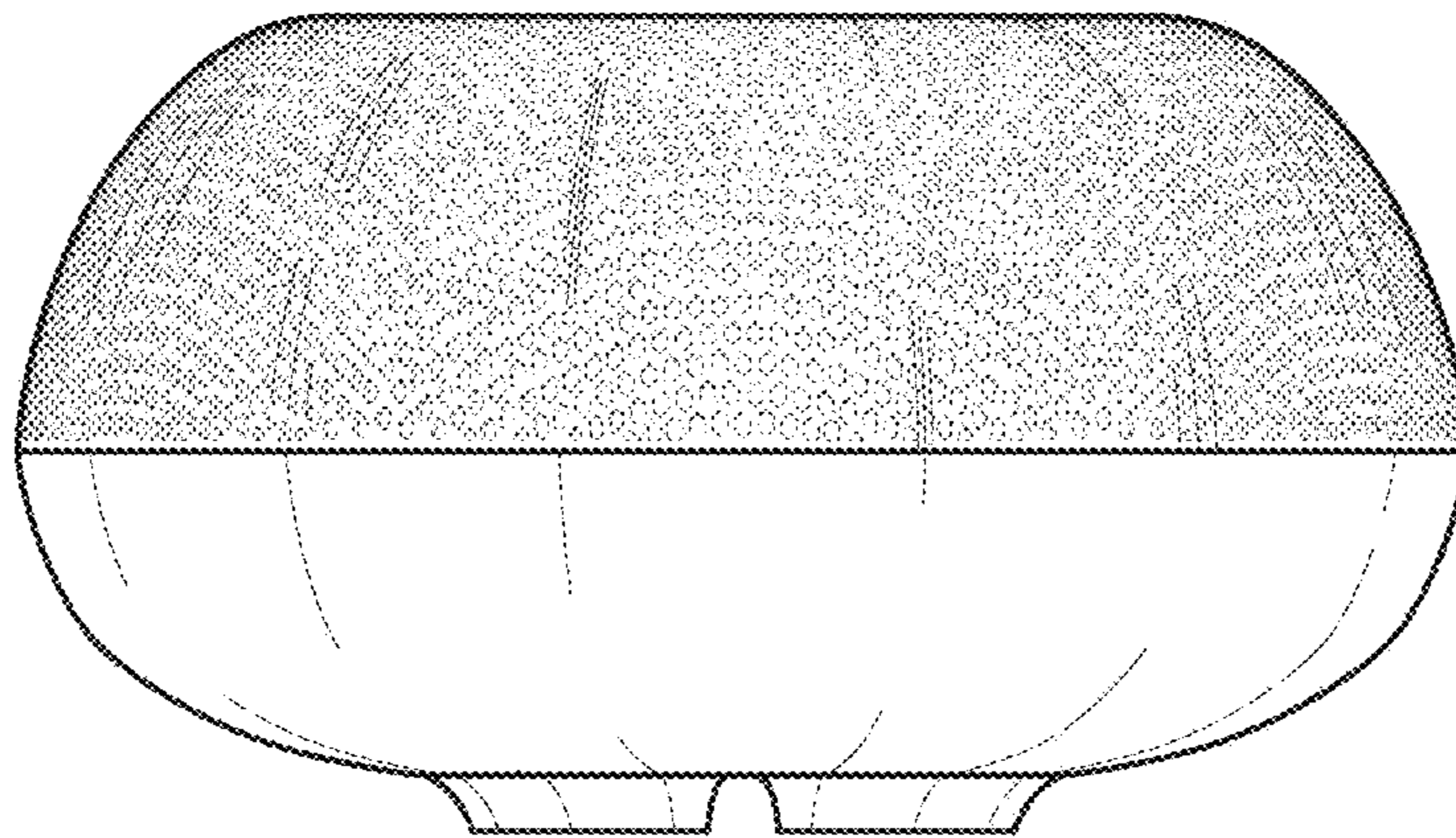


Fig. 4

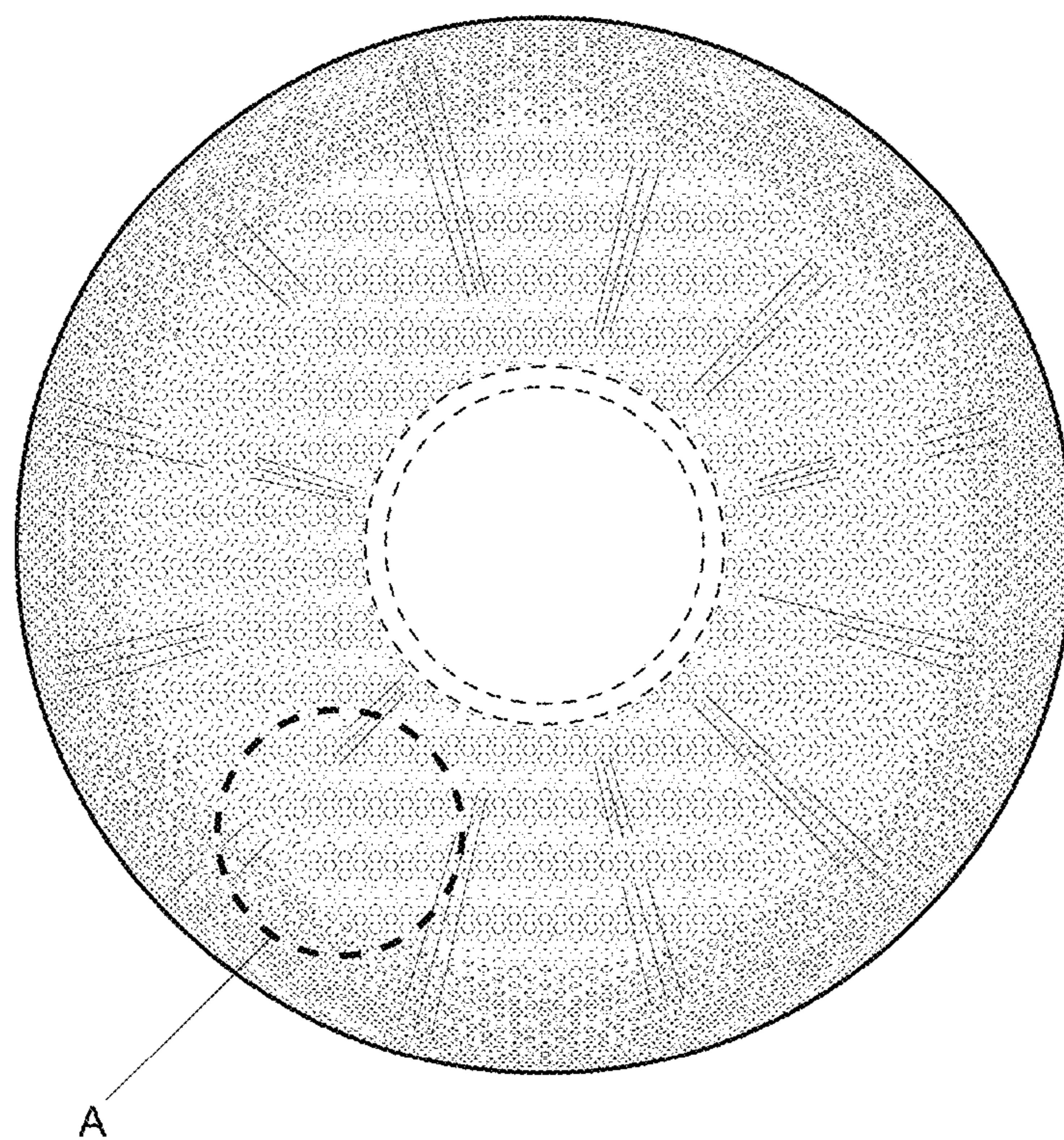


Fig. 5

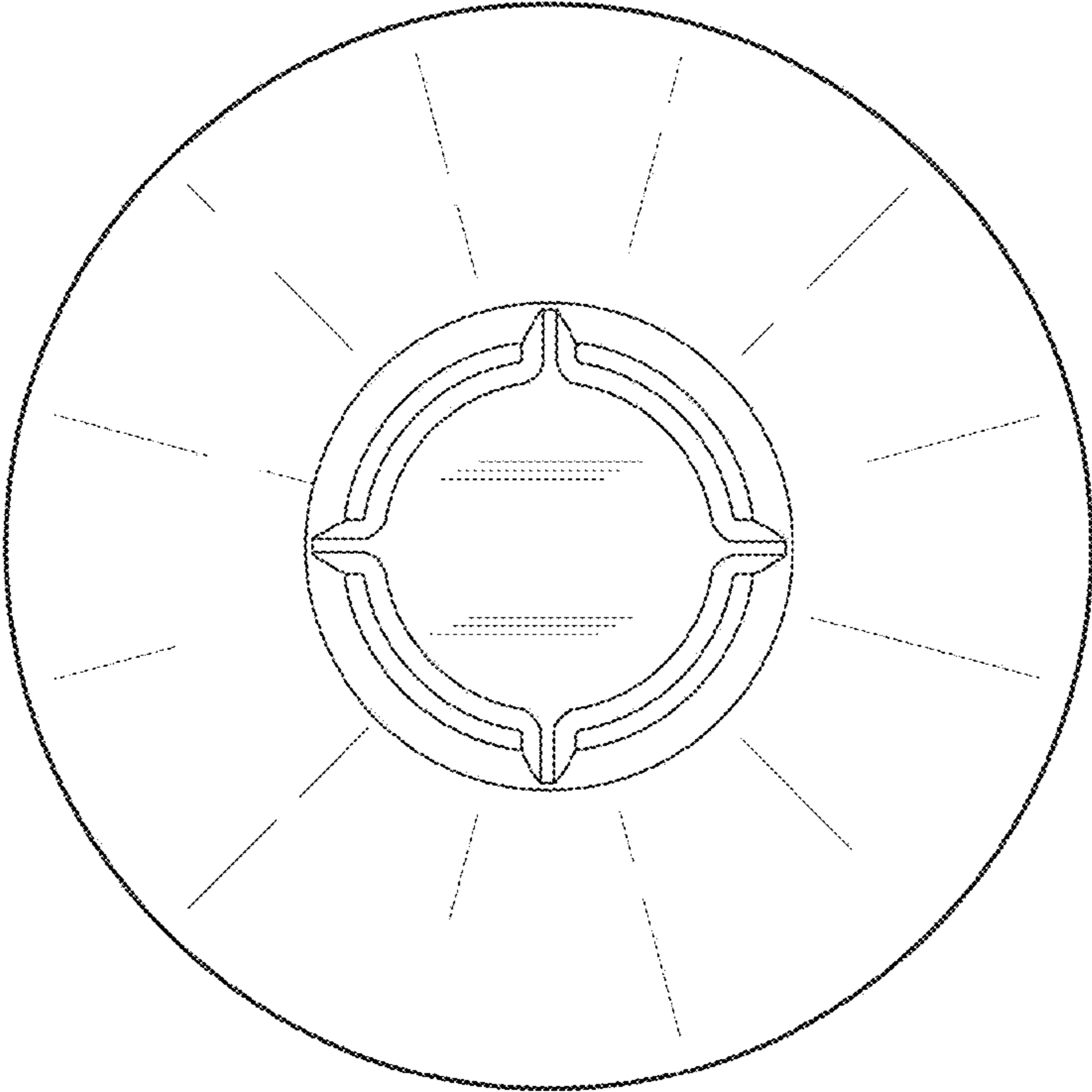


Fig. 6

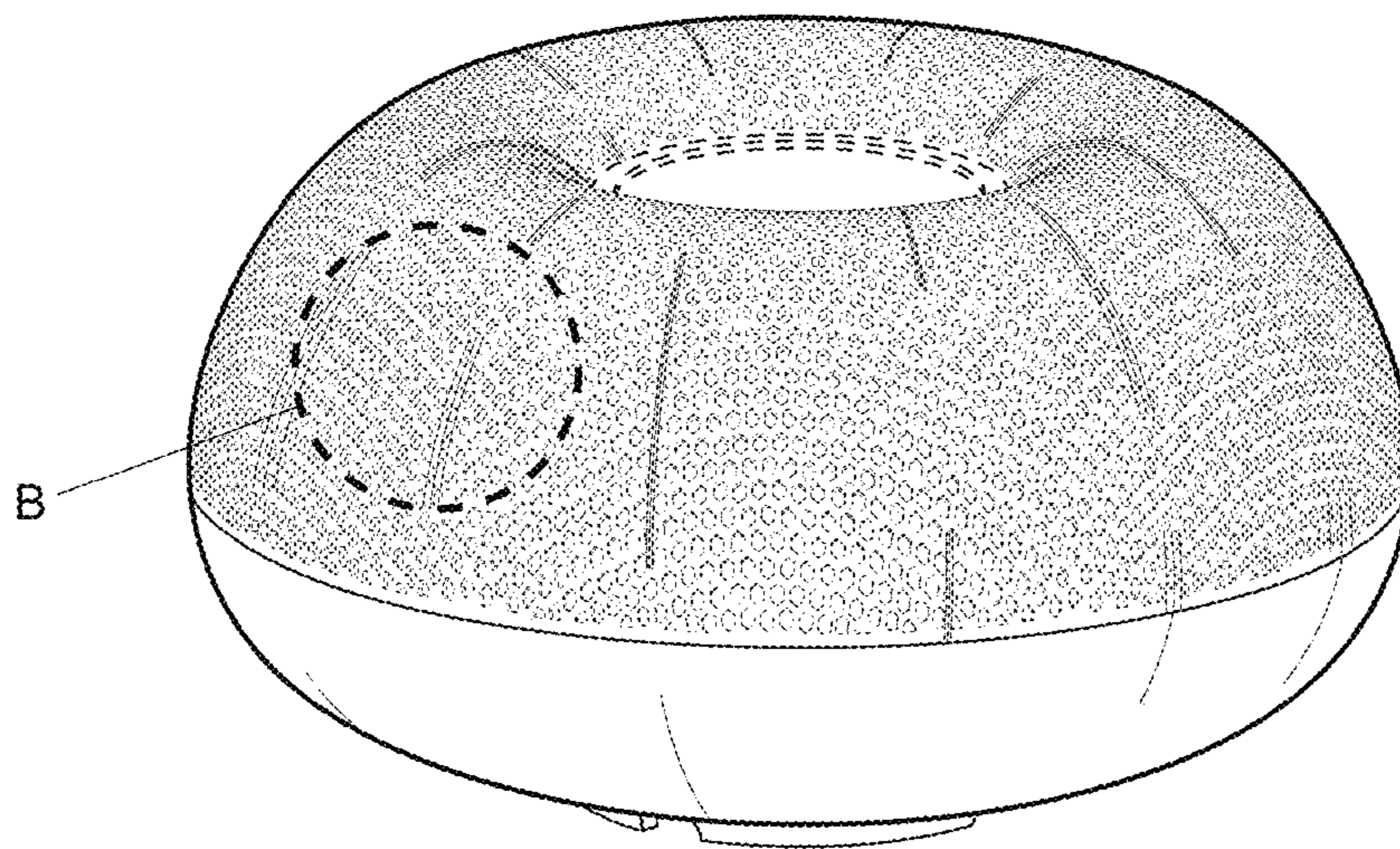


Fig. 7



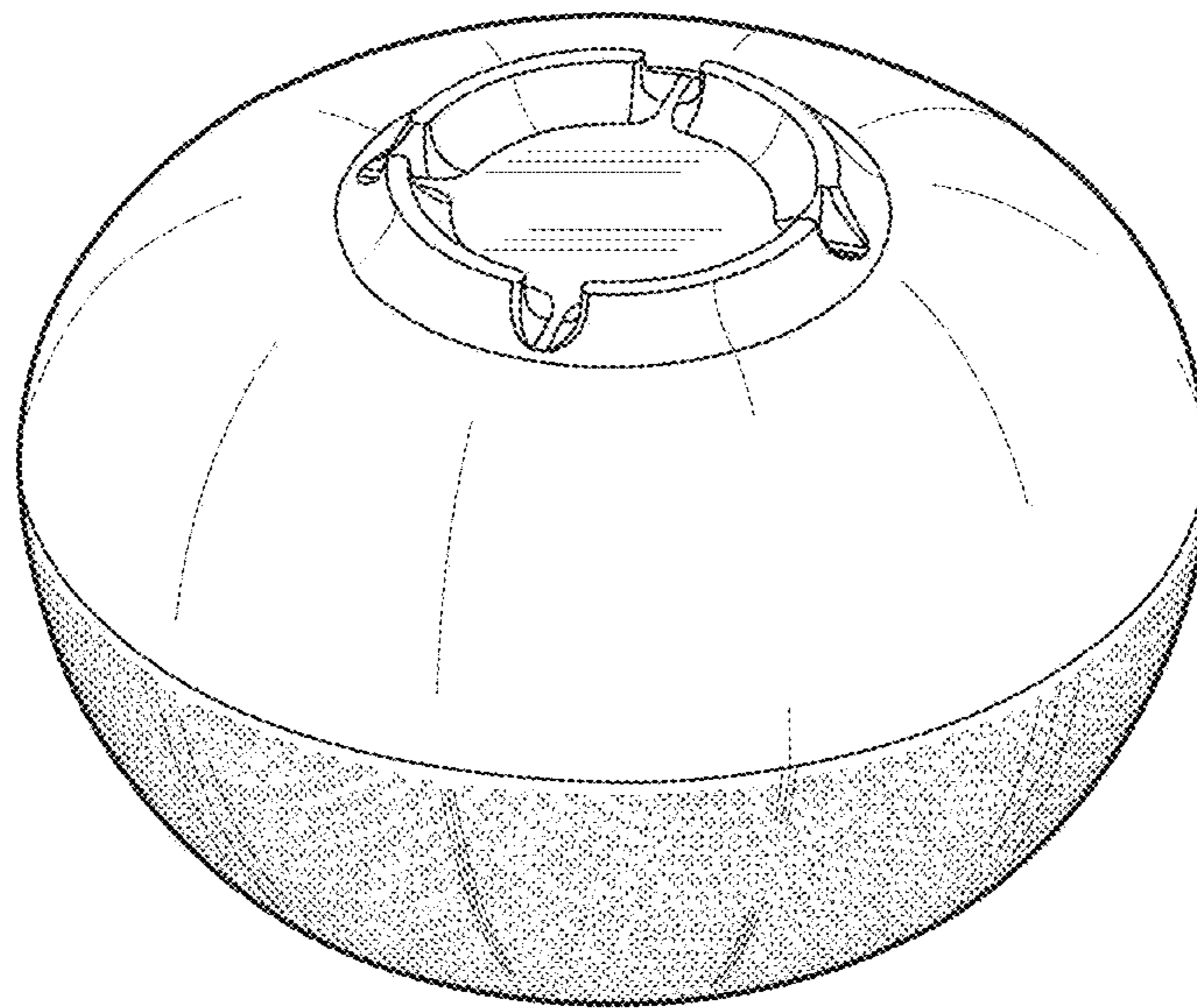


Fig. 8

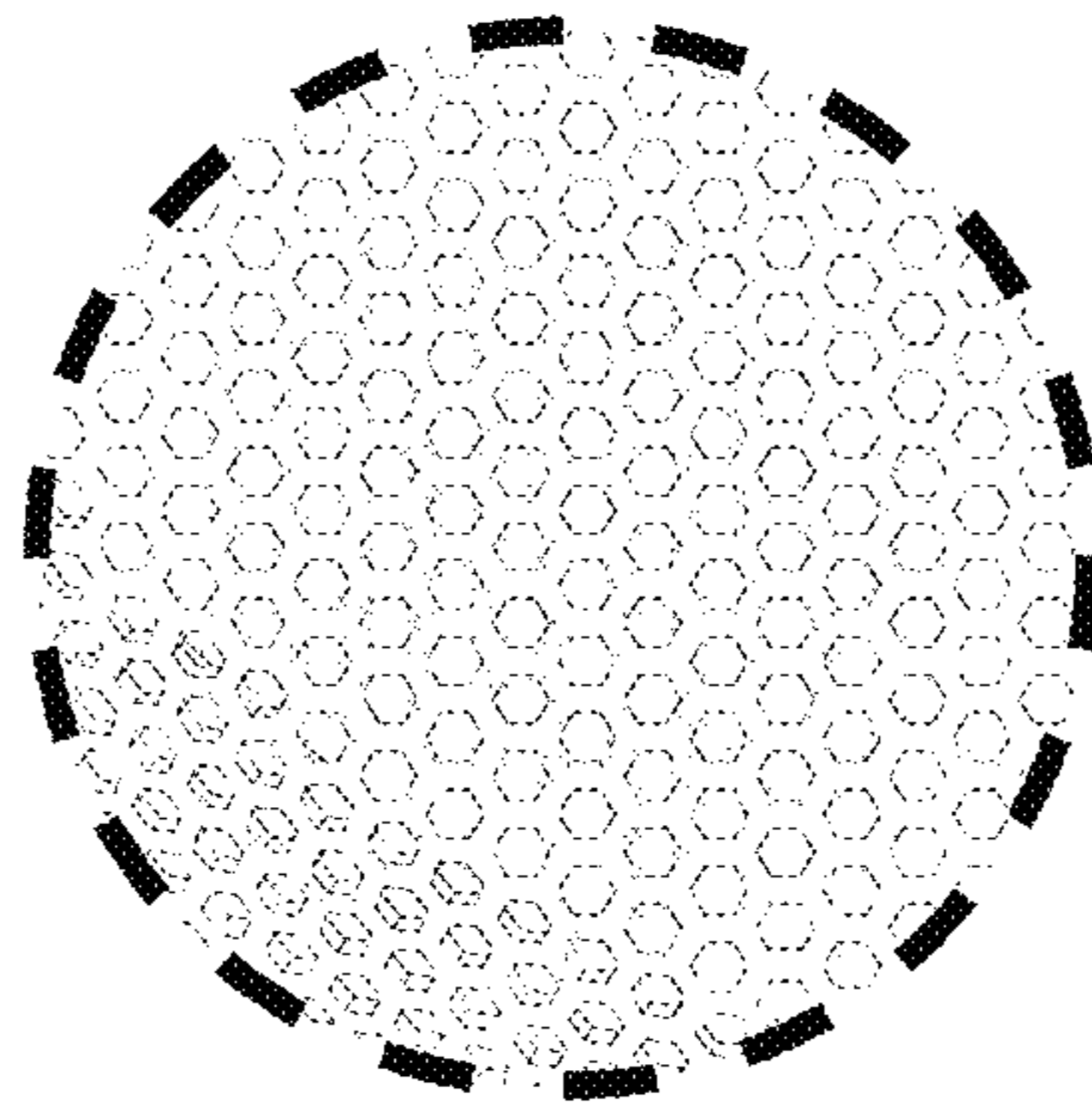


Fig. 9

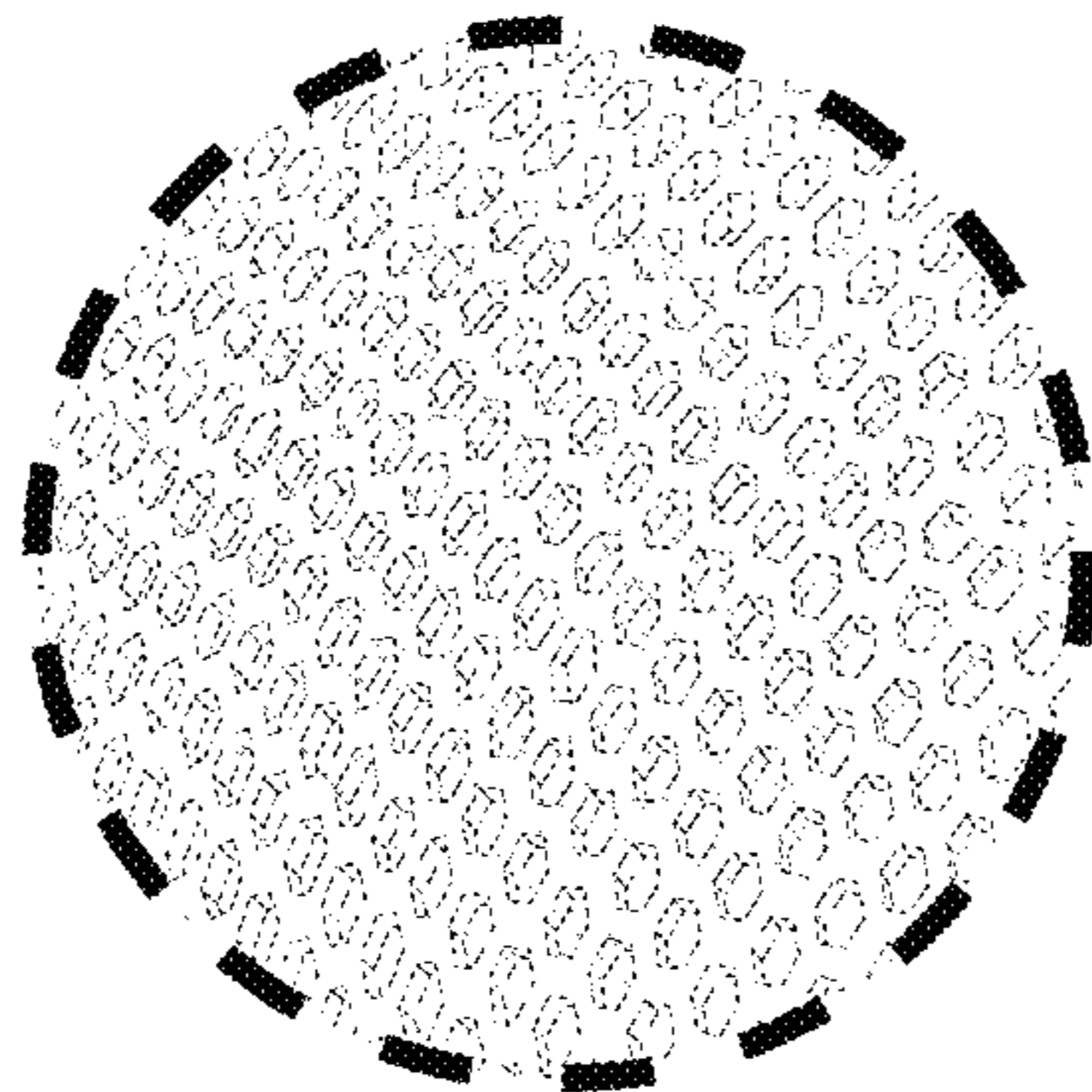


Fig. 10