



US00D861846S

(12) **United States Design Patent**  
**Goodsell**

(10) **Patent No.:** **US D861,846 S**  
(45) **Date of Patent:** **\*\* Oct. 1, 2019**

(54) **ELECTRICAL PLUG-IN FRAGRANCE DISPENSER WITH SLOT FOR RECEIVING DECORATIVE SHEATHS**

5,634,806 A \* 6/1997 Hahn ..... H01R 27/00  
439/172  
6,714,725 B2 \* 3/2004 Grone ..... A01M 1/2077  
392/390  
6,810,204 B2 \* 10/2004 Grone ..... A01M 1/2077  
392/390

(71) Applicant: **Rimports, LLC**, Provo, UT (US)  
(72) Inventor: **Jeffrey Alan Goodsell**, Springville, UT (US)

(Continued)

*Primary Examiner* — Sheryl Lane  
*Assistant Examiner* — Calvin E Vansant  
(74) *Attorney, Agent, or Firm* — Durham Jones & Pinegar, P.C.

(73) Assignee: **Rimports, LLC**, Provo, UT (US)

(\*\*) Term: **15 Years**

(57) **CLAIM**

(21) Appl. No.: **29/592,631**

The ornamental design for an electrical plug-in fragrance dispenser with slot for receiving decorative sheaths, as shown and described.

(22) Filed: **Jan. 31, 2017**

**DESCRIPTION**

**Related U.S. Application Data**

(63) Continuation-in-part of application No. 14/603,195, filed on Jan. 22, 2015, now Pat. No. 10,010,639.

FIG. 1 is a perspective view of a design for an electrical plug-in fragrance dispenser with slot for receiving decorative sheaths;

(51) **LOC (12) Cl.** ..... **23-04**

FIG. 2 is a front view of the electrical plug-in fragrance dispenser shown in FIG. 1;

(52) **U.S. Cl.** ..... **D23/366**

FIG. 3 is a rear view of the electrical plug-in fragrance dispenser shown in FIG. 1;

(58) **Field of Classification Search**

USPC ..... D14/409; D23/355–369; D8/351  
CPC ... A61L 9/02; A61L 9/03; A61L 9/035; A61L 9/12; A61L 9/125; H02G 3/14; H02G 3/081; H01R 13/5213; H01F 9/18  
See application file for complete search history.

FIG. 4 is a right side view of the electrical plug-in fragrance dispenser shown in FIG. 1;

FIG. 5 is a left side view of the electrical plug-in fragrance dispenser shown in FIG. 1;

FIG. 6 is a top view of the electrical plug-in fragrance dispenser shown in FIG. 1;

FIG. 7 is a bottom view of the electrical plug-in fragrance dispenser shown in FIG. 1; and,

FIG. 8 is a perspective view showing the manner in which a decorative sheath is secured to the electrical plug-in fragrance dispenser shown in FIG. 1.

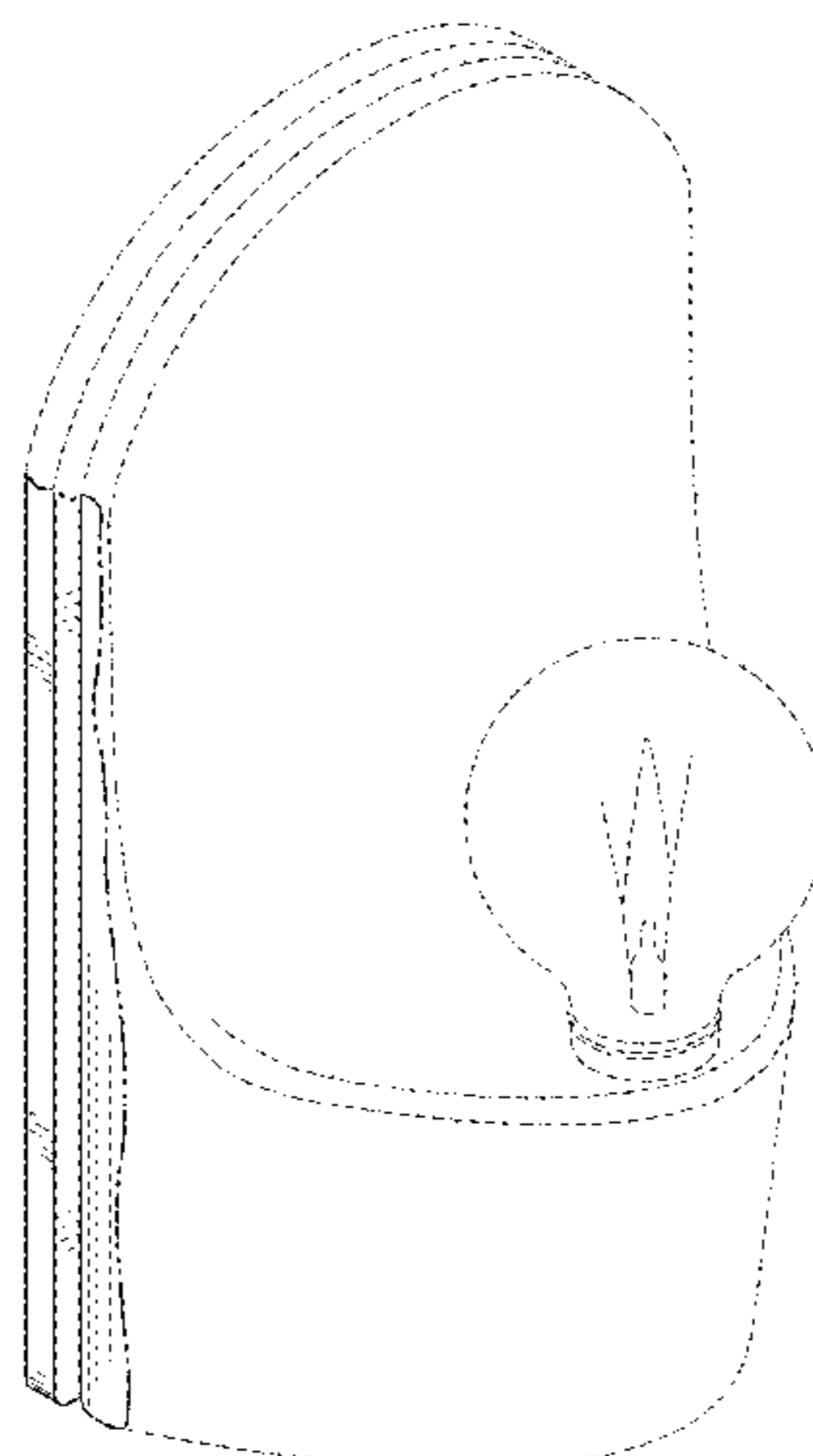
The dashed broken lines in the drawings represent unclaimed environmental subject matter and form no part of the claim. The dot-dash broken lines depict the boundary of the claim and form no part of the claimed design.

(56) **References Cited**

**U.S. PATENT DOCUMENTS**

3,780,260 A \* 12/1973 Elsner ..... F21S 8/035  
362/101  
4,810,833 A \* 3/1989 Meyers ..... H02G 3/14  
174/67  
5,577,602 A \* 11/1996 Conner ..... H01H 23/141  
174/66

**1 Claim, 7 Drawing Sheets**



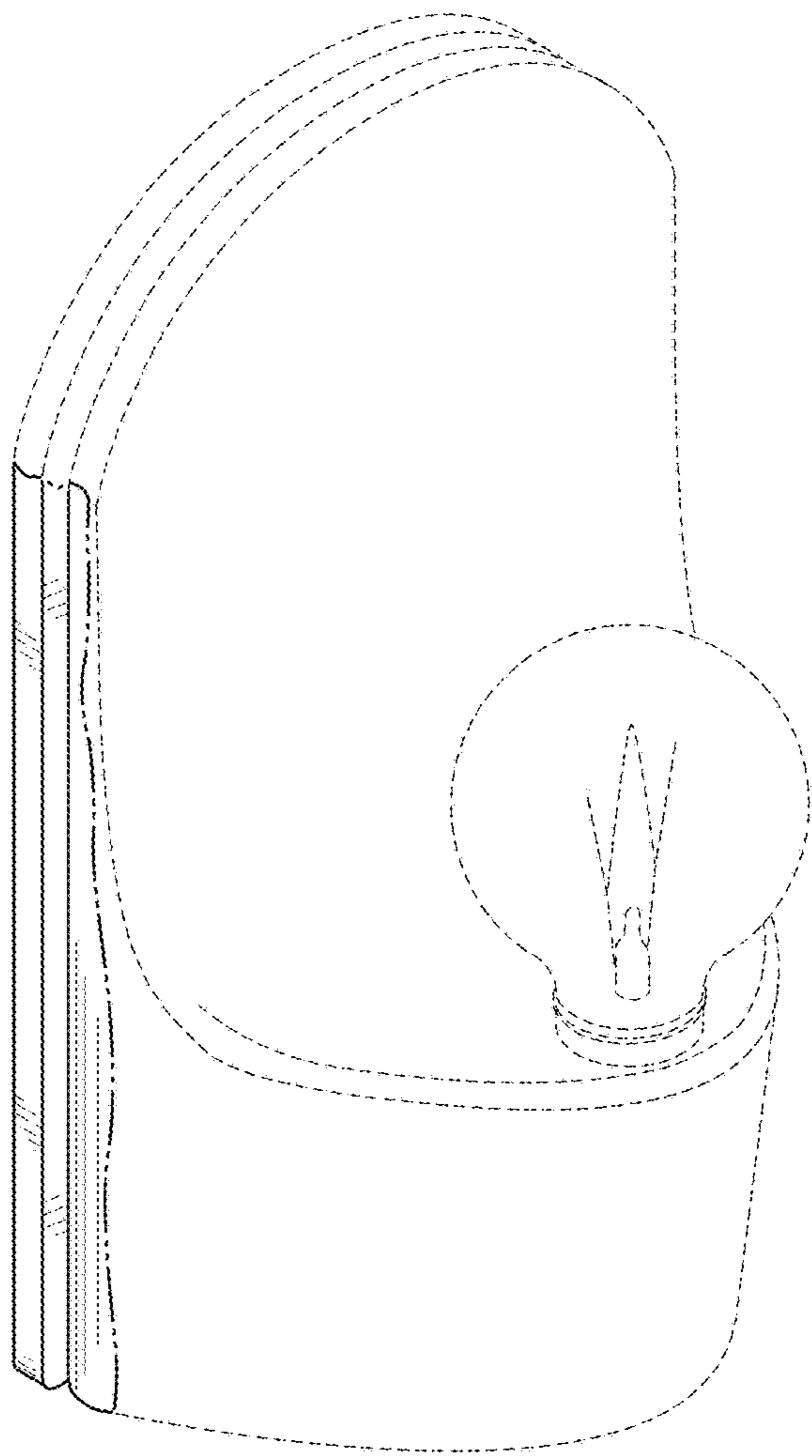
(56)

**References Cited**

## U.S. PATENT DOCUMENTS

6,916,989 B2 \* 7/2005 Broussard, Jr. .... H02G 3/14  
174/66  
7,066,745 B1 \* 6/2006 Chen ..... H01R 13/6675  
439/131  
7,426,799 B2 \* 9/2008 Christianson ..... A01M 1/2044  
239/55  
7,542,664 B2 \* 6/2009 He ..... A01M 1/2072  
392/390  
7,547,219 B2 \* 6/2009 Zhuge ..... H01R 13/4534  
439/173  
7,794,251 B2 \* 9/2010 Wen ..... H01R 13/514  
320/111  
9,166,351 B1 \* 10/2015 Wang ..... H01R 27/00  
D748,238 S \* 1/2016 Mecker ..... D23/366  
9,970,641 B2 \* 5/2018 Mousavi ..... F21V 23/06  
2004/0057706 A1 \* 3/2004 Grone ..... A01M 1/2077  
392/392  
2005/0133617 A1 \* 6/2005 Hidalgo ..... A01M 1/2077  
239/136  
2007/0237498 A1 \* 10/2007 Helf ..... A01M 1/205  
392/386  
2010/0178042 A1 \* 7/2010 Neumann ..... A01M 1/2077  
392/386  
2011/0110118 A1 \* 5/2011 Hsiao ..... A61L 9/03  
362/643  
2013/0015261 A1 \* 1/2013 Scarbrough ..... A01M 31/008  
239/34  
2013/0118108 A1 \* 5/2013 Matsumoto ..... E04G 23/02  
52/514  
2016/0129146 A1 \* 5/2016 Riera Giner ..... A61L 9/125  
239/34  
2017/0288350 A1 \* 10/2017 Andersen ..... H02G 3/14

\* cited by examiner



**FIG. 1**

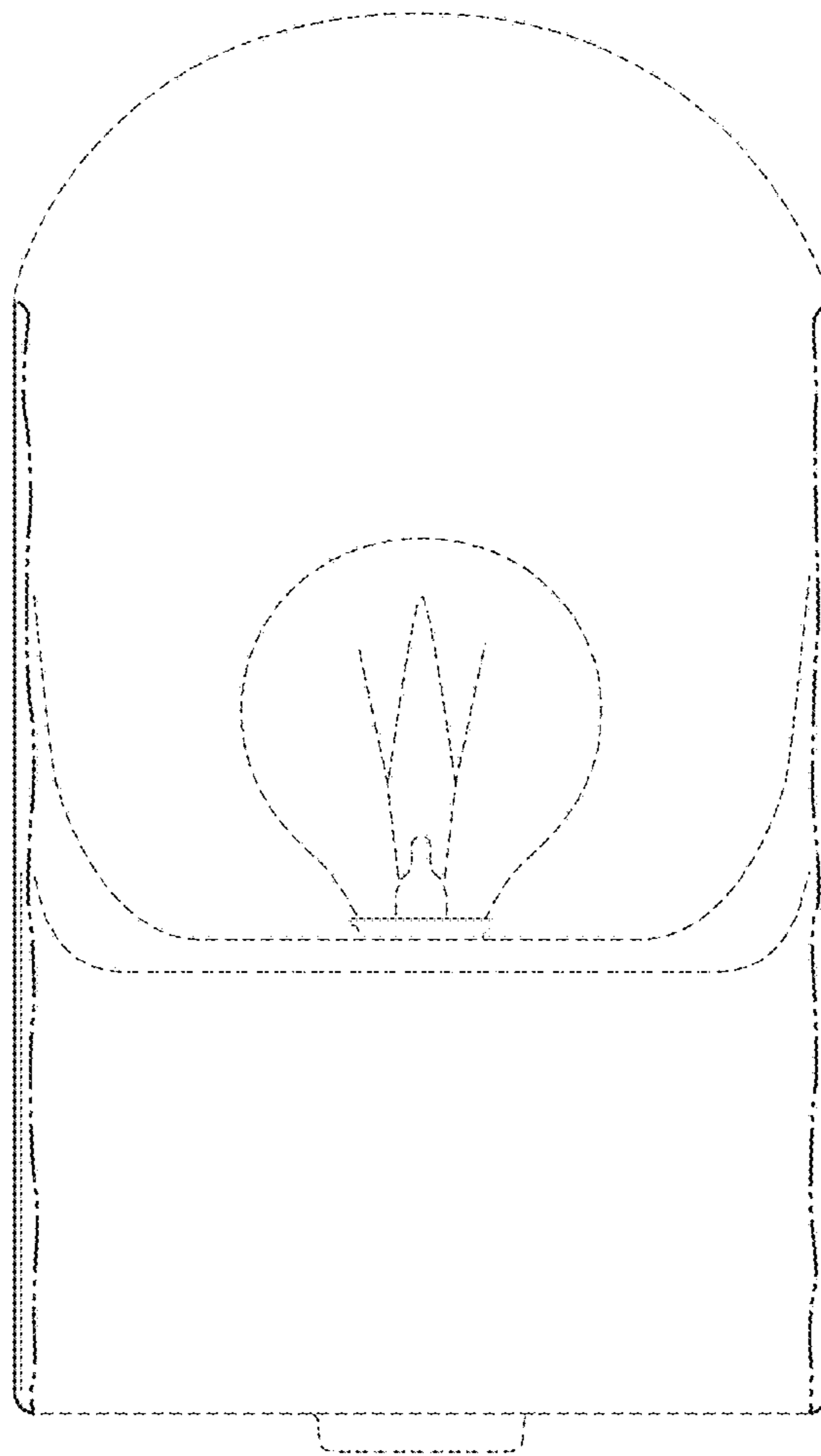


FIG. 2

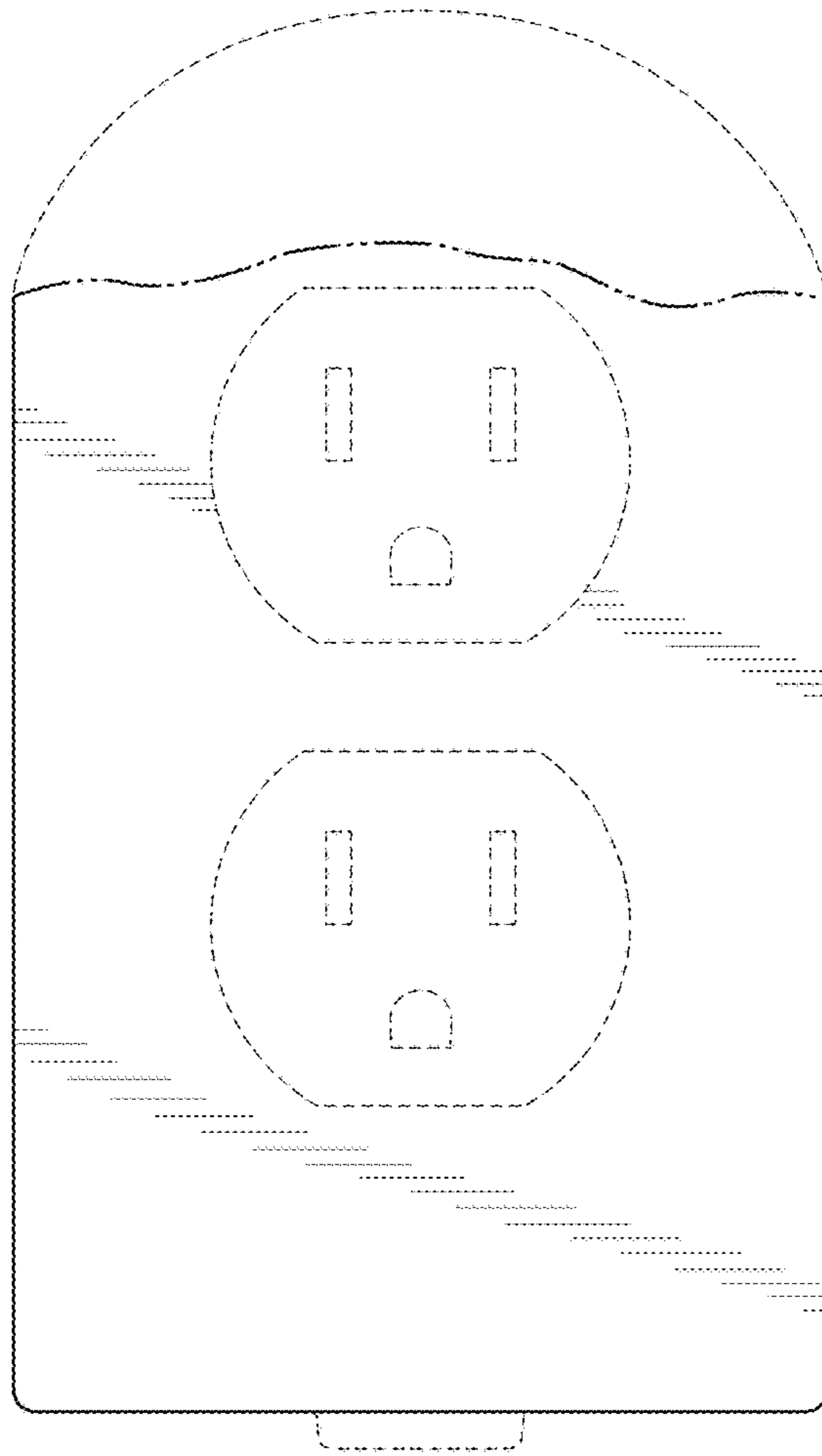
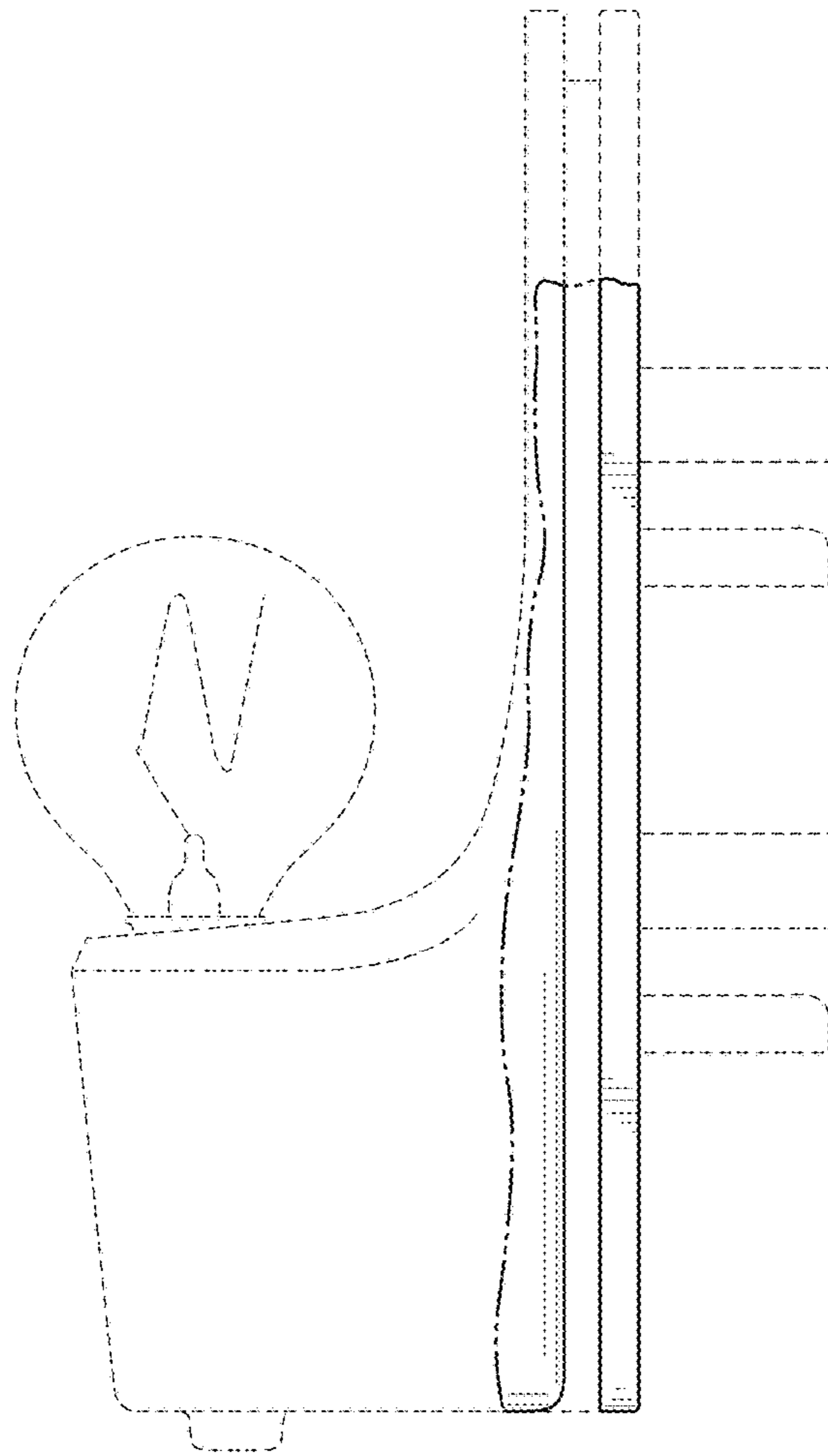
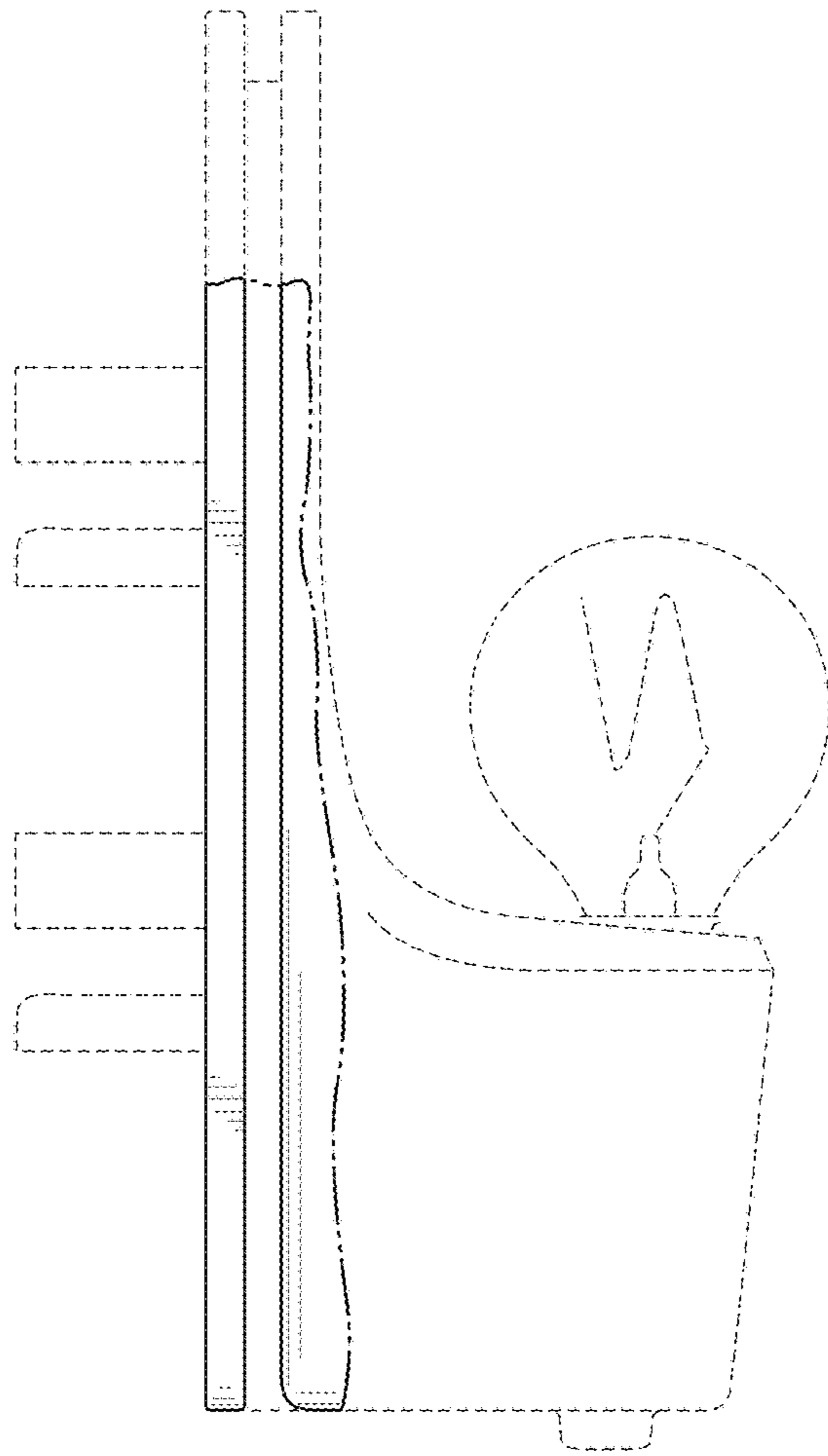


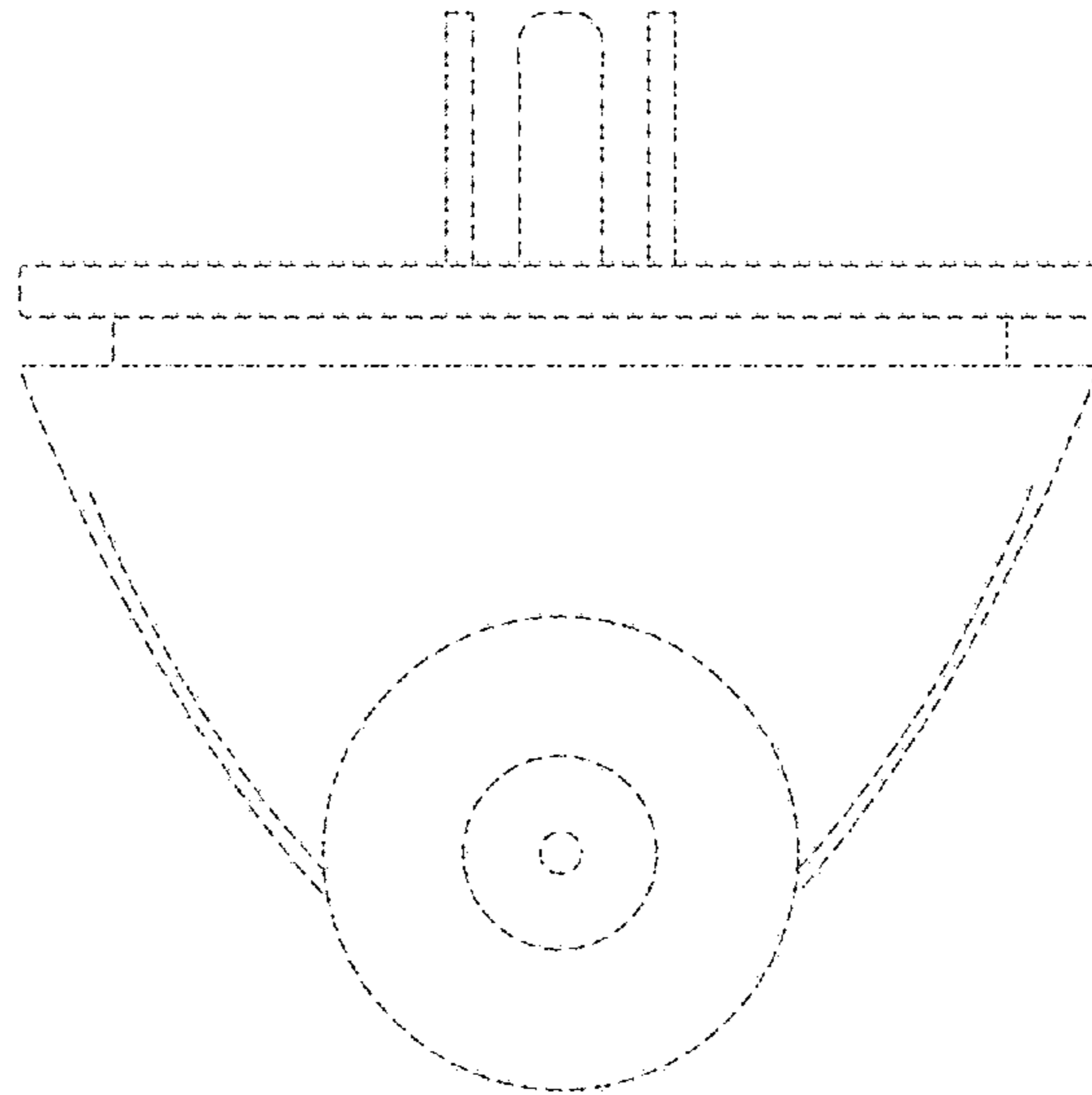
FIG. 3



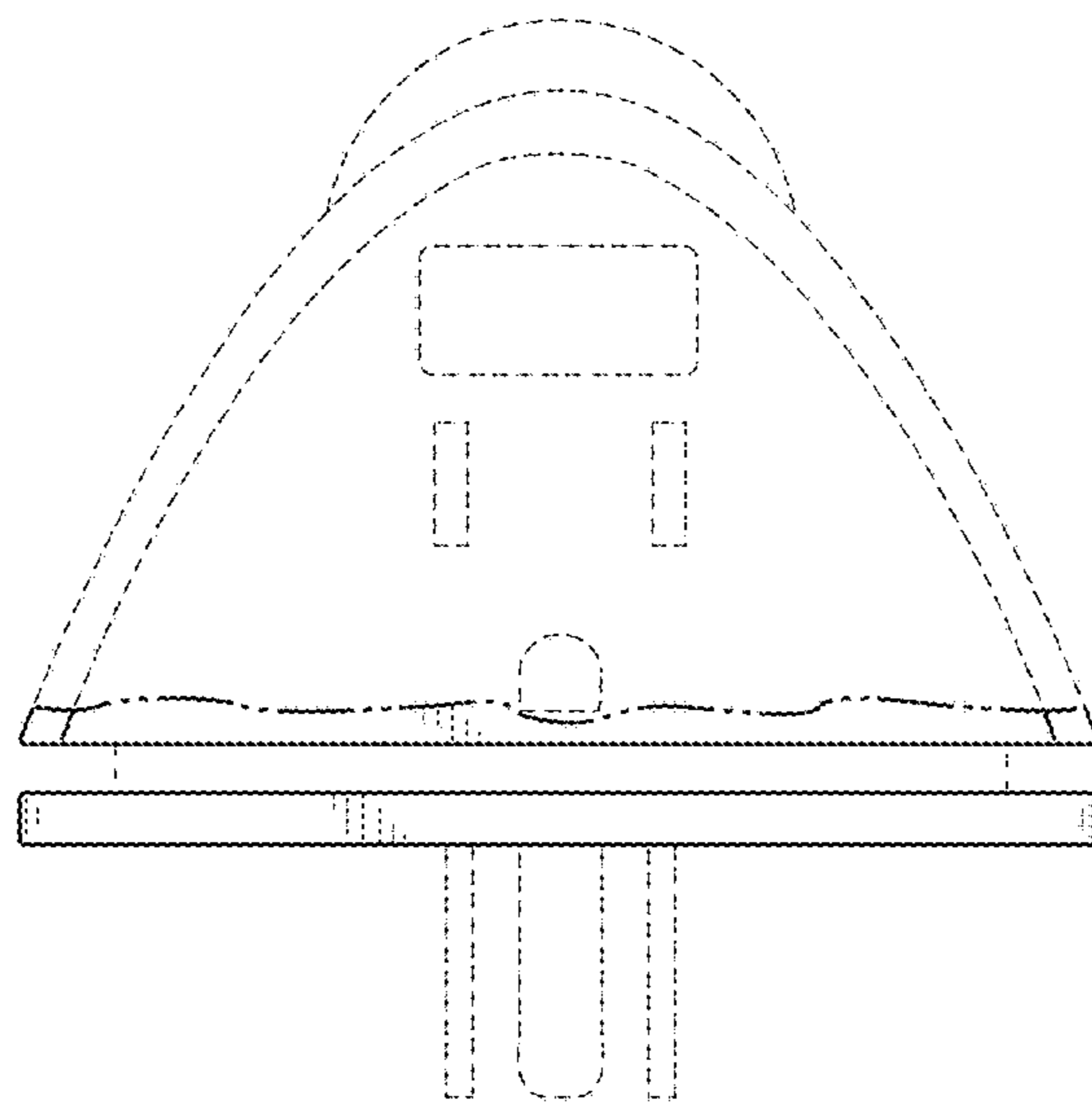
**FIG. 4**



**FIG. 5**



**FIG. 6**



**FIG. 7**



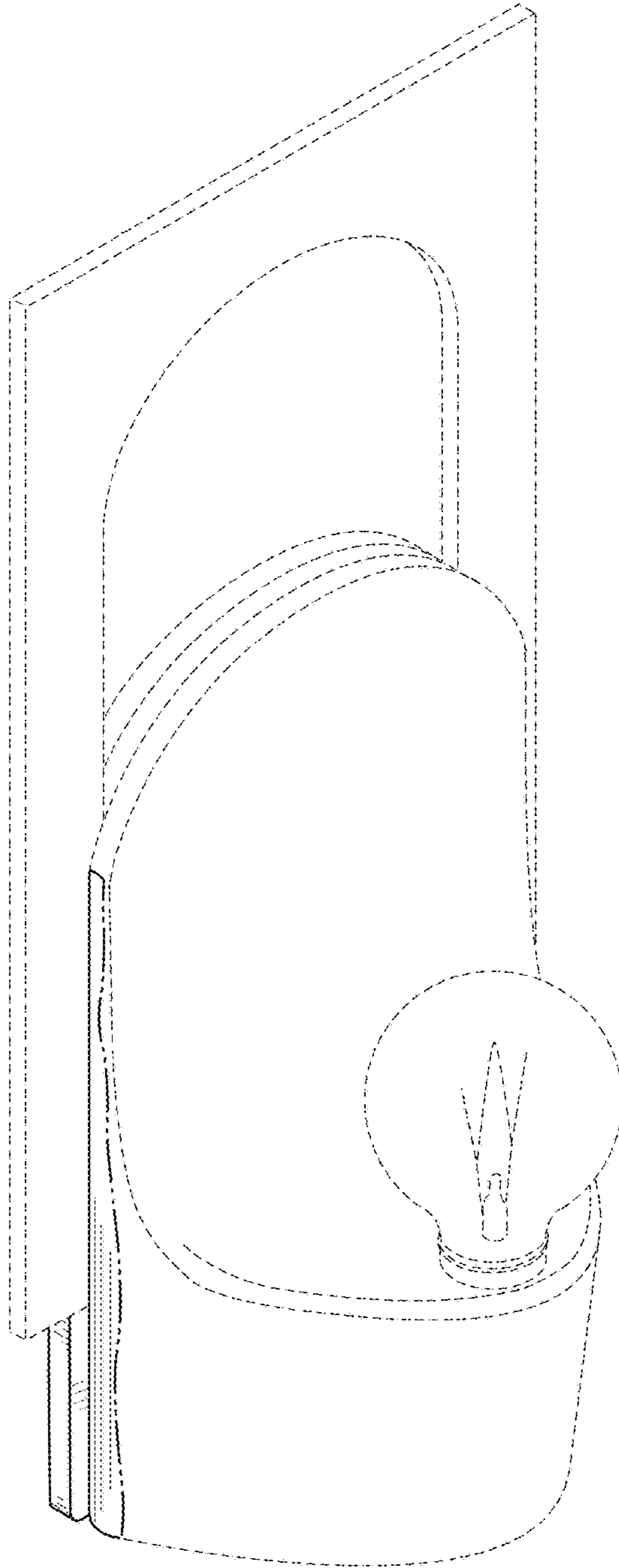


FIG. 8