



US00D861842S

(12) **United States Design Patent**  
**Kim et al.**

(10) **Patent No.:** **US D861,842 S**  
(45) **Date of Patent:** **\*\* Oct. 1, 2019**

(54) **AIR CONDITIONER FOR A BOARDING BRIDGE**

(71) Applicant: **KOREA AIRPORTS CORPORATION**, Seoul (KR)

(72) Inventors: **Dong Soo Kim**, Gimpo-si (KR); **Young Seop Lim**, Incheon (KR)

(73) Assignee: **KOREA AIRPORTS CORPORATION** (KR)

(\*\*) Term: **15 Years**

(21) Appl. No.: **29/615,933**

(22) Filed: **Aug. 31, 2017**

(30) **Foreign Application Priority Data**

Jun. 1, 2017 (KR) ..... 30-2017-0024993

(51) **LOC (12) Cl.** ..... **23-04**

(52) **U.S. Cl.**  
USPC ..... **D23/351**

(58) **Field of Classification Search**  
USPC ..... D23/333, 335, 341, 342, 351, 353, 354,  
D23/355, 356, 359, 364, 365, 370, 385,  
D23/386, 388, 393  
CPC .... F24F 1/00; F24F 1/0007; F24F 1/02; F24F  
1/08; F24F 1/42; F24F 1/56; F24F 1/60;  
F24F 3/044; F24F 3/048; F24F 3/16;  
F24F 7/00; F24F 7/04; F24F 12/001;  
F24F 12/006

See application file for complete search history.

(56) **References Cited**

**U.S. PATENT DOCUMENTS**

D594,960 S \* 6/2009 Orihara ..... D23/366  
D605,271 S \* 12/2009 Sata ..... D23/351

D607,981 S \* 1/2010 Yamaguchi ..... D23/351  
D617,887 S \* 6/2010 Sata ..... D23/351  
D629,092 S \* 12/2010 Tanno ..... D23/351  
D649,234 S \* 11/2011 Iovanel ..... D23/351  
D683,836 S \* 6/2013 Suzuki ..... D23/351  
9,394,061 B2 \* 7/2016 Kim ..... B64F 1/305  
D799,019 S \* 10/2017 Schrock ..... D23/371  
9,834,322 B2 \* 12/2017 Kim ..... B64F 1/305  
D814,004 S \* 3/2018 Morikawa ..... D23/351  
D814,010 S \* 3/2018 Schrock ..... D23/371  
D814,624 S \* 4/2018 Freedman ..... D23/395  
9,976,781 B2 \* 5/2018 Cho ..... F25B 13/00  
D827,115 S \* 8/2018 Petersen ..... D23/333

(Continued)

*Primary Examiner* — Natasha Vujcic

(74) *Attorney, Agent, or Firm* — Lewis Roca Rothgerber  
Christie LLP

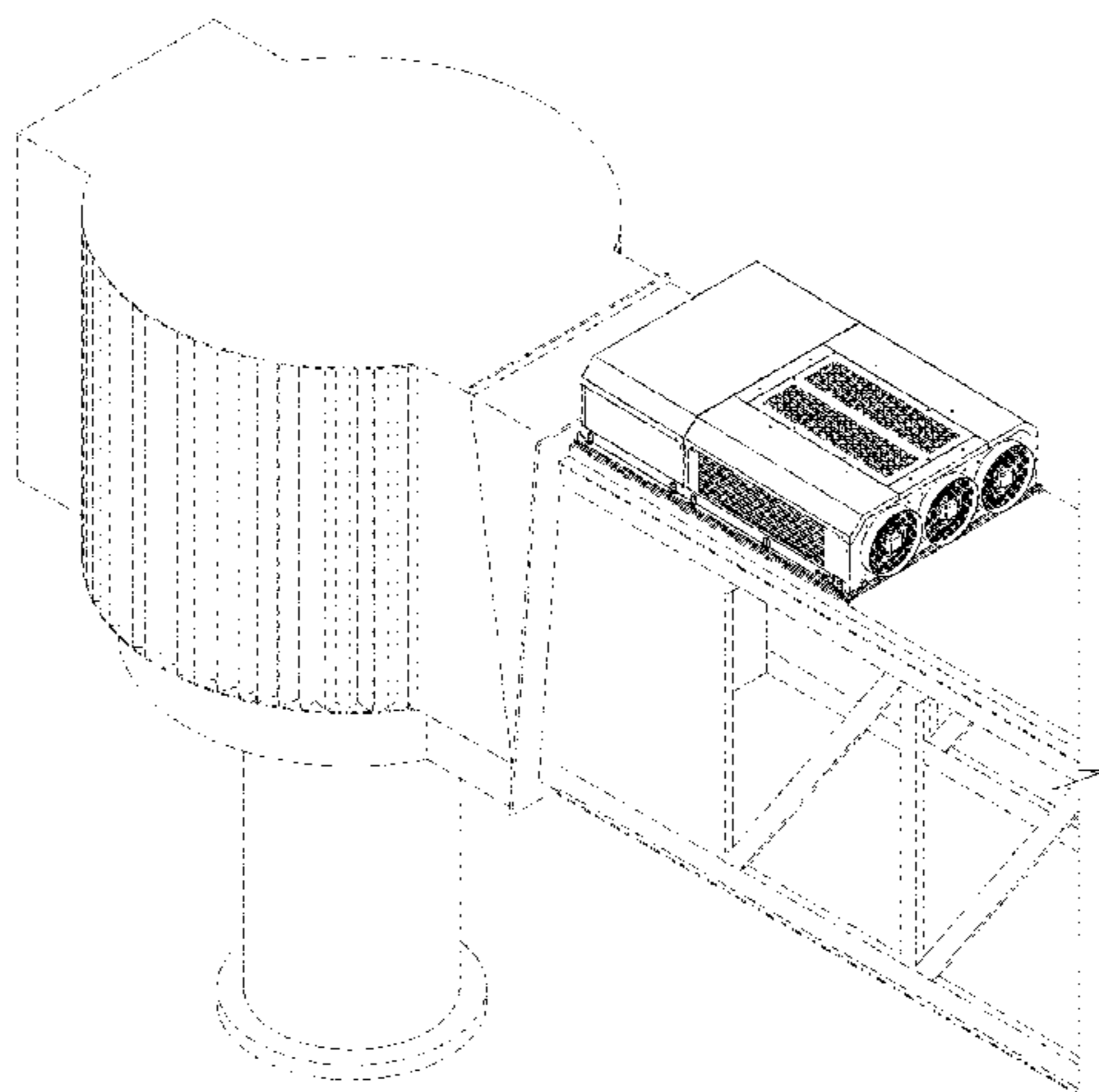
(57) **CLAIM**

The ornamental design for a air conditioner for a boarding bridge, as shown and described.

**DESCRIPTION**

FIG. 1 is a front perspective view of an air conditioner for a boarding bridge, showing our new design;  
FIG. 2 is a rear perspective view of the claimed design;  
FIG. 3 is a front view of the claimed design of FIG. 1;  
FIG. 4 is a rear view of the claimed design of FIG. 1;  
FIG. 5 is a left-side view of the claimed design of FIG. 1;  
FIG. 6 is a right-side view of the claimed design of FIG. 1;  
FIG. 7 is a top view of the claimed design of FIG. 1;  
FIG. 8 is a bottom view of the claimed design of FIG. 1;  
FIG. 9 is an enlarged partial view of the claimed design of FIG. 1;  
FIG. 10 is an enlarged partial view of the claimed design of FIG. 2; and,  
FIG. 11 is an enlarged view of the claimed design of FIG. 4.  
The broken lines illustrate the environmental structure and form no part of the claimed design.

**1 Claim, 9 Drawing Sheets**



(56)

**References Cited**

U.S. PATENT DOCUMENTS

D828,911 S \* 9/2018 Murofushi ..... D23/351  
RE47,162 E \* 12/2018 Oren ..... B65D 88/30  
D23/202

\* cited by examiner

FIG. 1

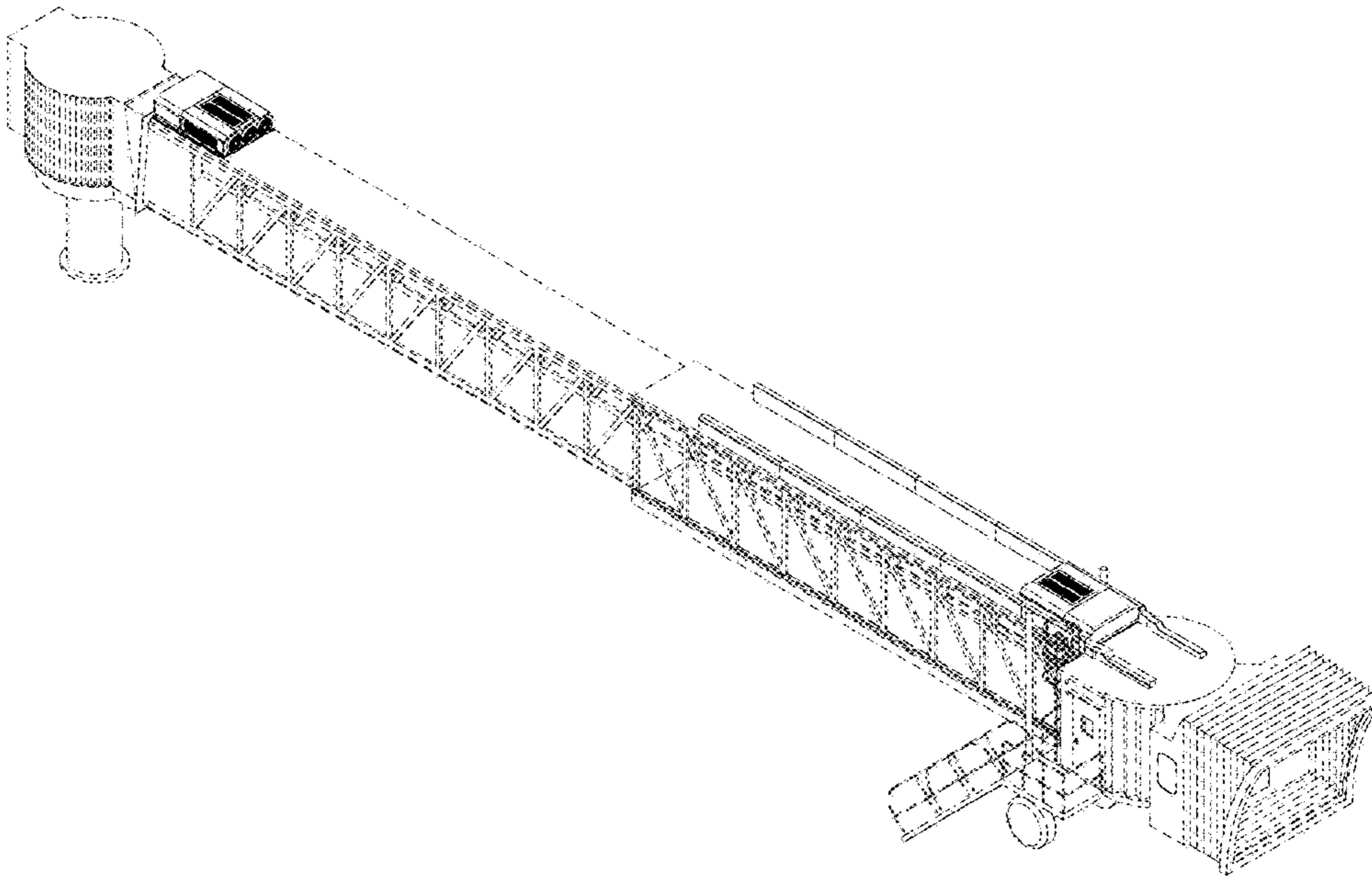


FIG. 2

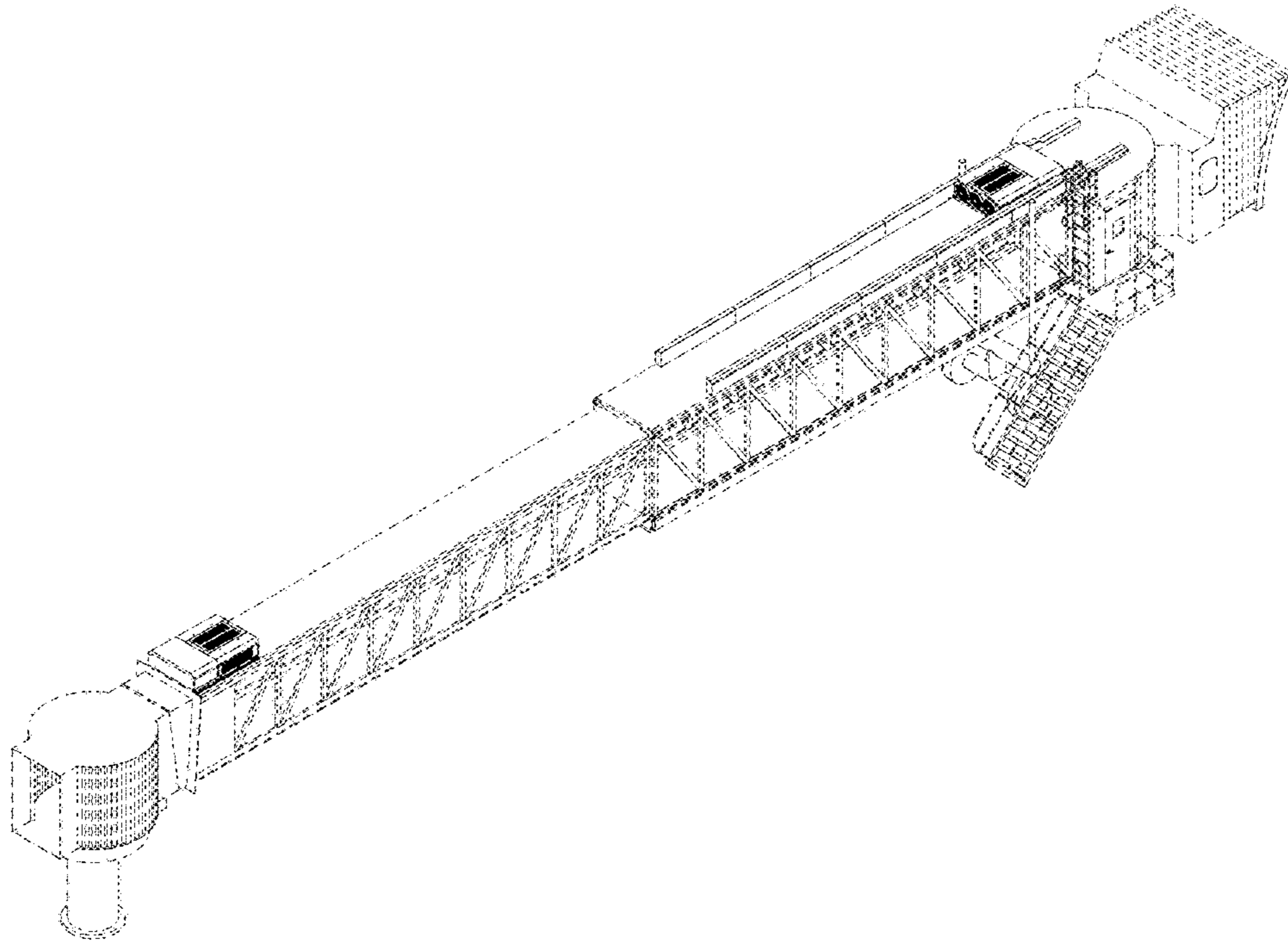


FIG. 3

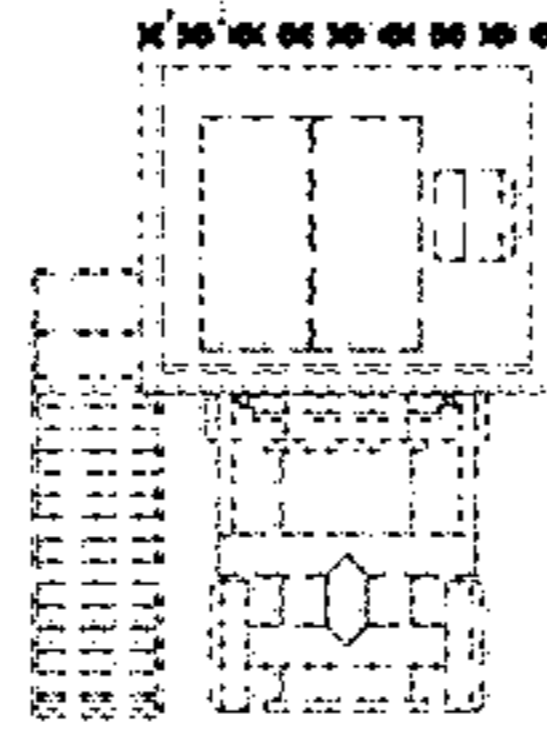


FIG. 4

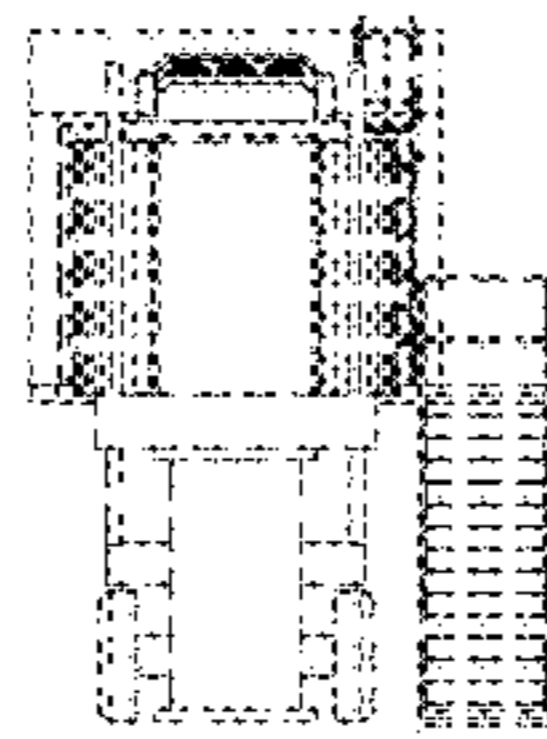


FIG. 5

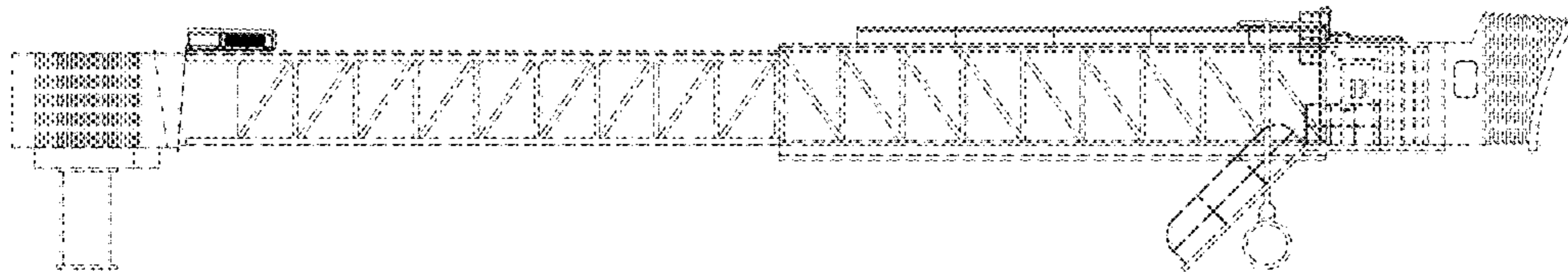


FIG. 6

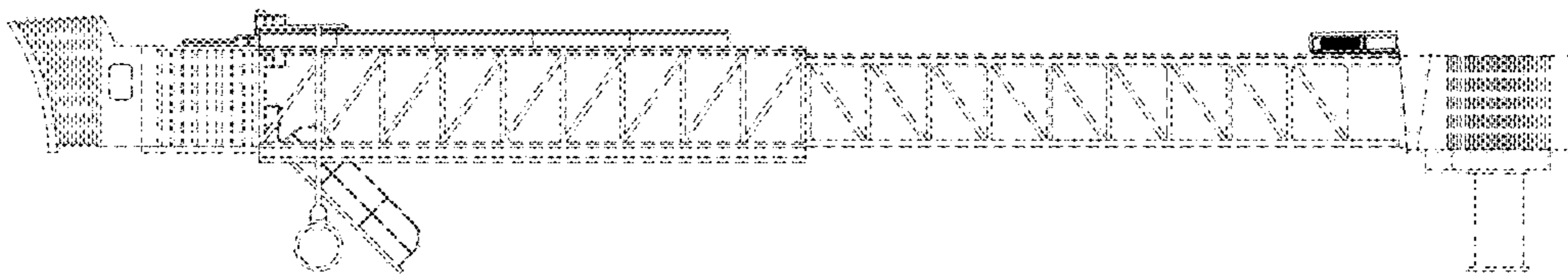


FIG. 7

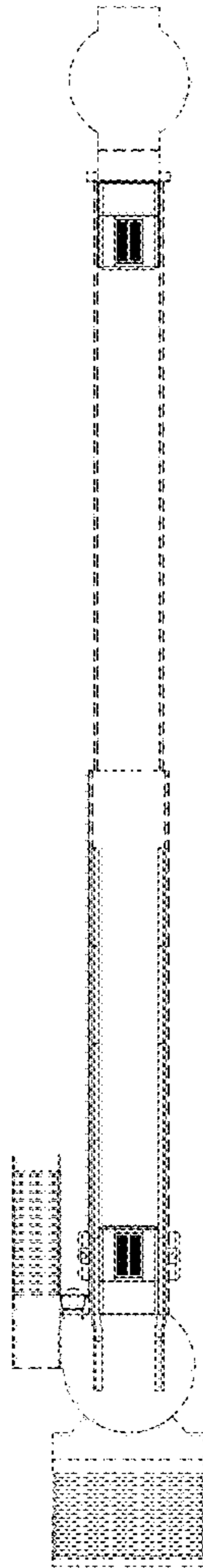


FIG. 8

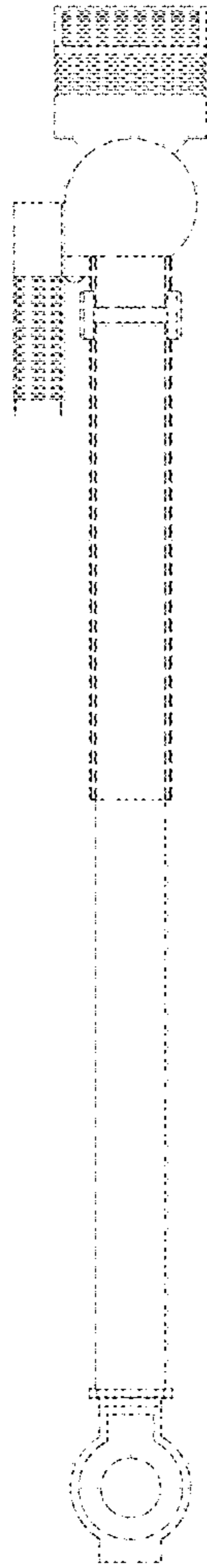




FIG. 9

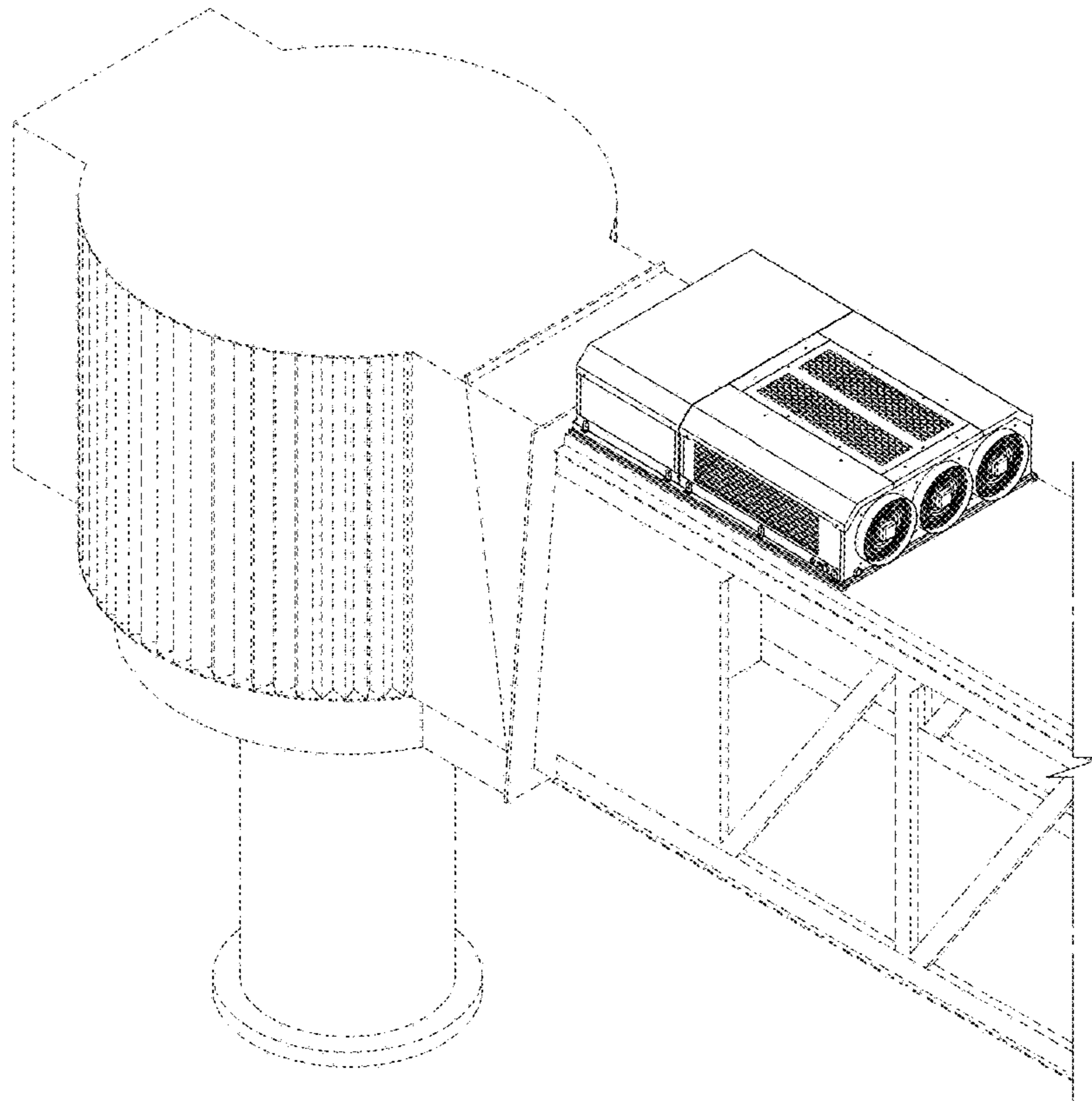


FIG. 10

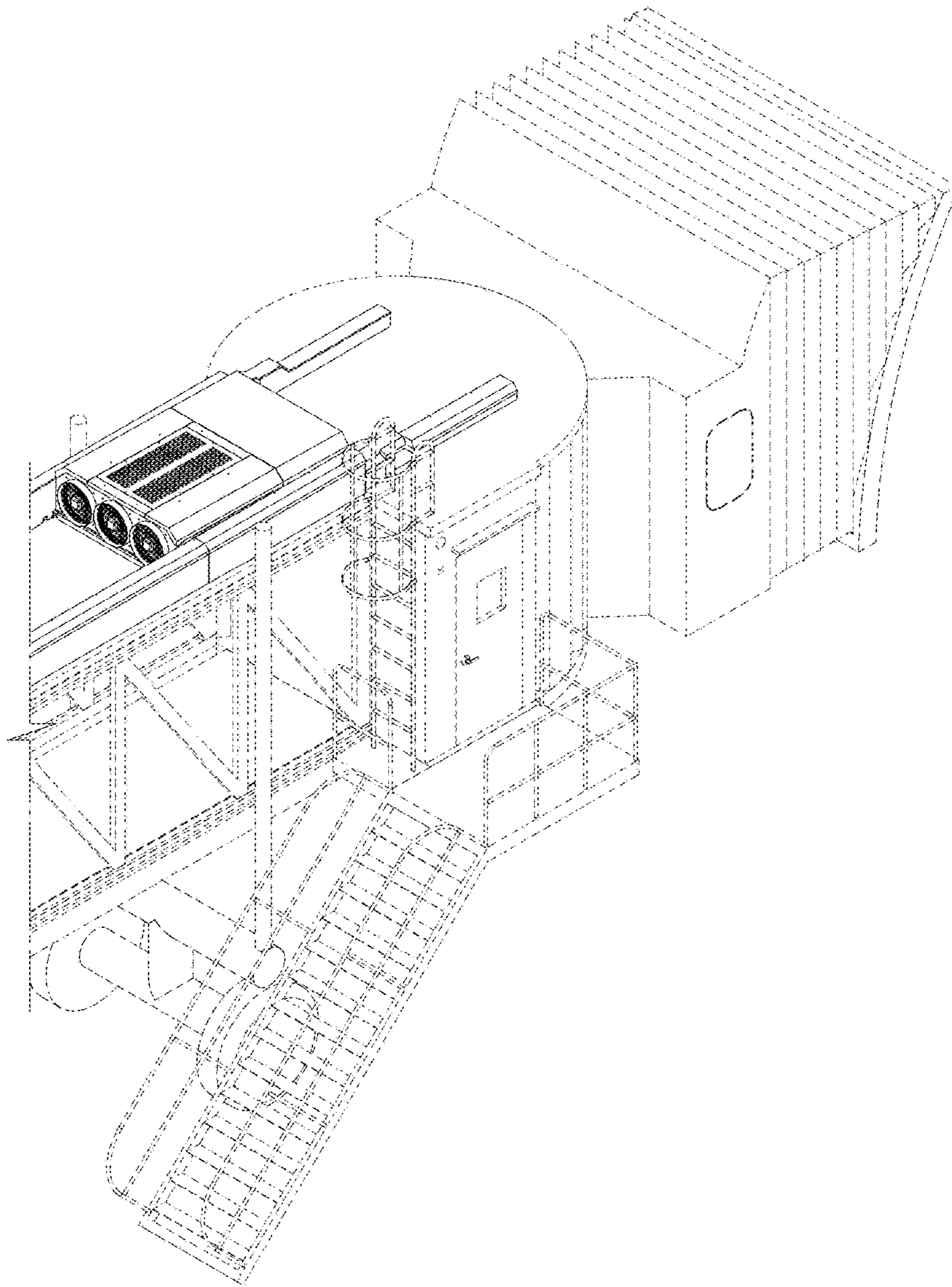


FIG. 11

