



US00D861840S

(12) **United States Design Patent**
Kim et al.

(10) **Patent No.:** **US D861,840 S**

(45) **Date of Patent:** **** Oct. 1, 2019**

(54) **AIR CONDITIONER FOR A BOARDING BRIDGE**

(71) Applicant: **KOREA AIRPORTS CORPORATION**, Seoul (KR)

(72) Inventors: **Dong Soo Kim**, Gimpo-si (KR); **Young Seop Lim**, Incheon (KR)

(73) Assignee: **KOREA AIRPORTS CORPORATION** (KR)

(**) Term: **15 Years**

(21) Appl. No.: **29/615,928**

(22) Filed: **Aug. 31, 2017**

(30) **Foreign Application Priority Data**

Jun. 1, 2017 (KR) 30-2017-0024984

(51) **LOC (12) Cl.** **23-04**

(52) **U.S. Cl.**
USPC **D23/351**

(58) **Field of Classification Search**
USPC D23/333, 335, 341, 342, 351, 353, 354,
D23/355, 356, 359, 364, 365, 370, 385,
D23/386, 388, 393
CPC F24F 1/00; F24F 1/0007; F24F 1/02; F24F
1/08; F24F 1/42; F24F 1/56; F24F 1/60;
F24F 3/044; F24F 3/048; F24F 3/16;
F24F 7/00; F24F 7/04; F24F 12/001;
F24F 12/006
See application file for complete search history.

(56) **References Cited**

U.S. PATENT DOCUMENTS

D594,960 S * 6/2009 Orihara D23/366
D605,271 S * 12/2009 Sata D23/351

D607,981 S * 1/2010 Yamaguchi D23/351
D617,887 S * 6/2010 Sata D23/351
D629,092 S * 12/2010 Tanno D23/351
D649,234 S * 11/2011 Iovanel D23/351
D683,836 S * 6/2013 Suzuki D23/351
9,394,061 B2 * 7/2016 Kim B64F 1/305
D799,019 S * 10/2017 Schrock D23/371
9,834,322 B2 * 12/2017 Kim B64F 1/305
D814,004 S * 3/2018 Morikawa D23/351
D814,010 S * 3/2018 Schrock D23/371
D814,624 S * 4/2018 Freedman D23/395
9,976,781 B2 * 5/2018 Cho F25B 13/00
D827,115 S * 8/2018 Petersen D23/333
D828,911 S * 9/2018 Murofushi D23/351

(Continued)

Primary Examiner — Natasha Vujcic

(74) *Attorney, Agent, or Firm* — Lewis Roca Rothgerber
Christie LLP

(57) **CLAIM**

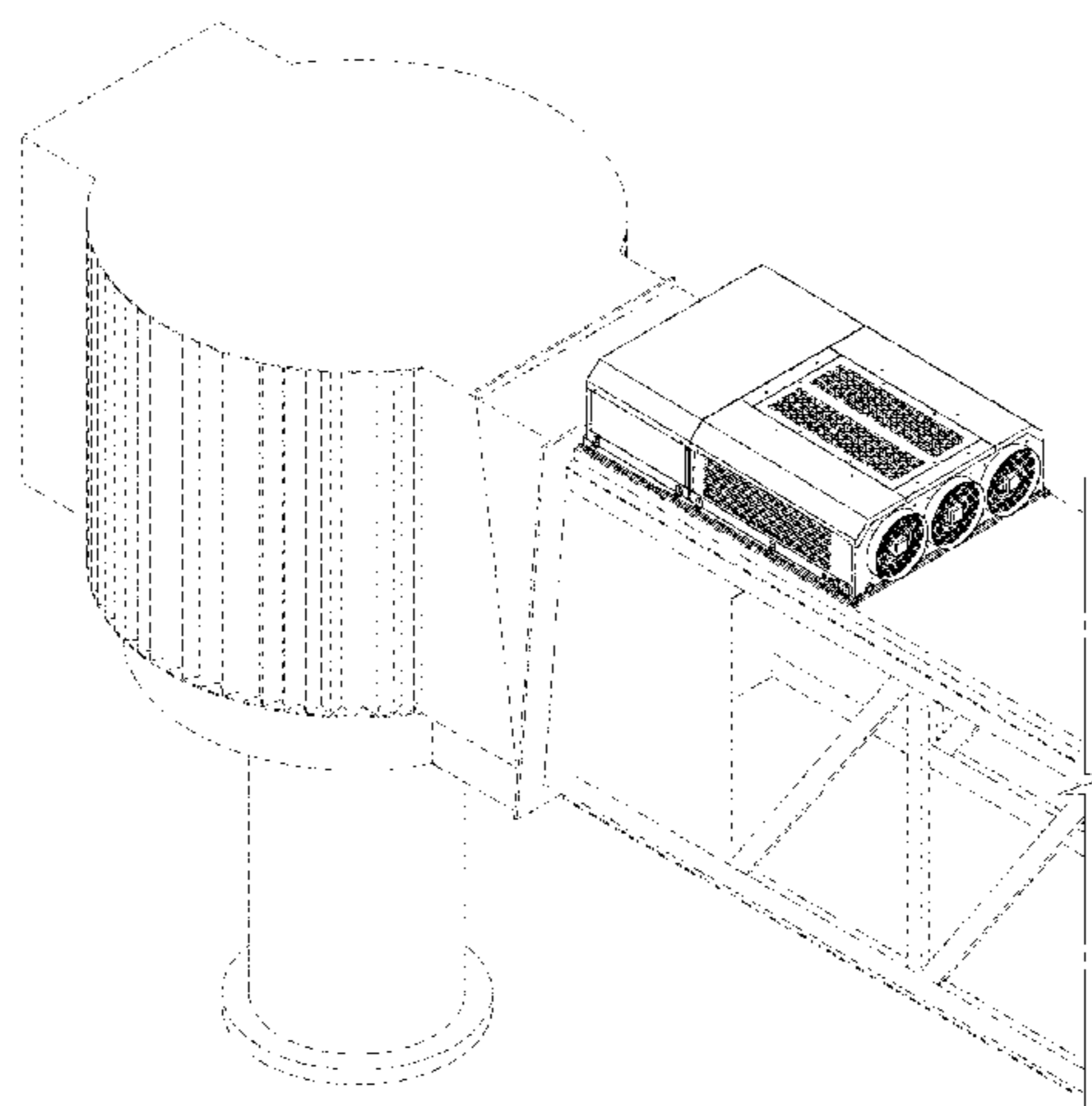
The ornamental design for a air conditioner for a boarding bridge, as shown and described.

DESCRIPTION

FIG. 1 is a front perspective view of an air conditioner for a boarding bridge, showing our new design;
FIG. 2 is a rear perspective view of the claimed design;
FIG. 3 is a front view of the claimed design of FIG. 1;
FIG. 4 is a rear view of the claimed design of FIG. 1;
FIG. 5 is a left-side view of the claimed design of FIG. 1;
FIG. 6 is a right-side view of the claimed design of FIG. 1;
FIG. 7 is a top view of the claimed design of FIG. 1;
FIG. 8 is a bottom view of the claimed design of FIG. 1;
FIG. 9 is an enlarged partial view of the claimed design of FIG. 1; and,
FIG. 10 is an enlarged view of the claimed design of FIG. 4.

The broken lines illustrate the environmental structure and form no part of the claimed design.

1 Claim, 8 Drawing Sheets



(56)

References Cited

U.S. PATENT DOCUMENTS

RE47,162 E * 12/2018 Oren B65D 88/30
D23/202

* cited by examiner

FIG. 1

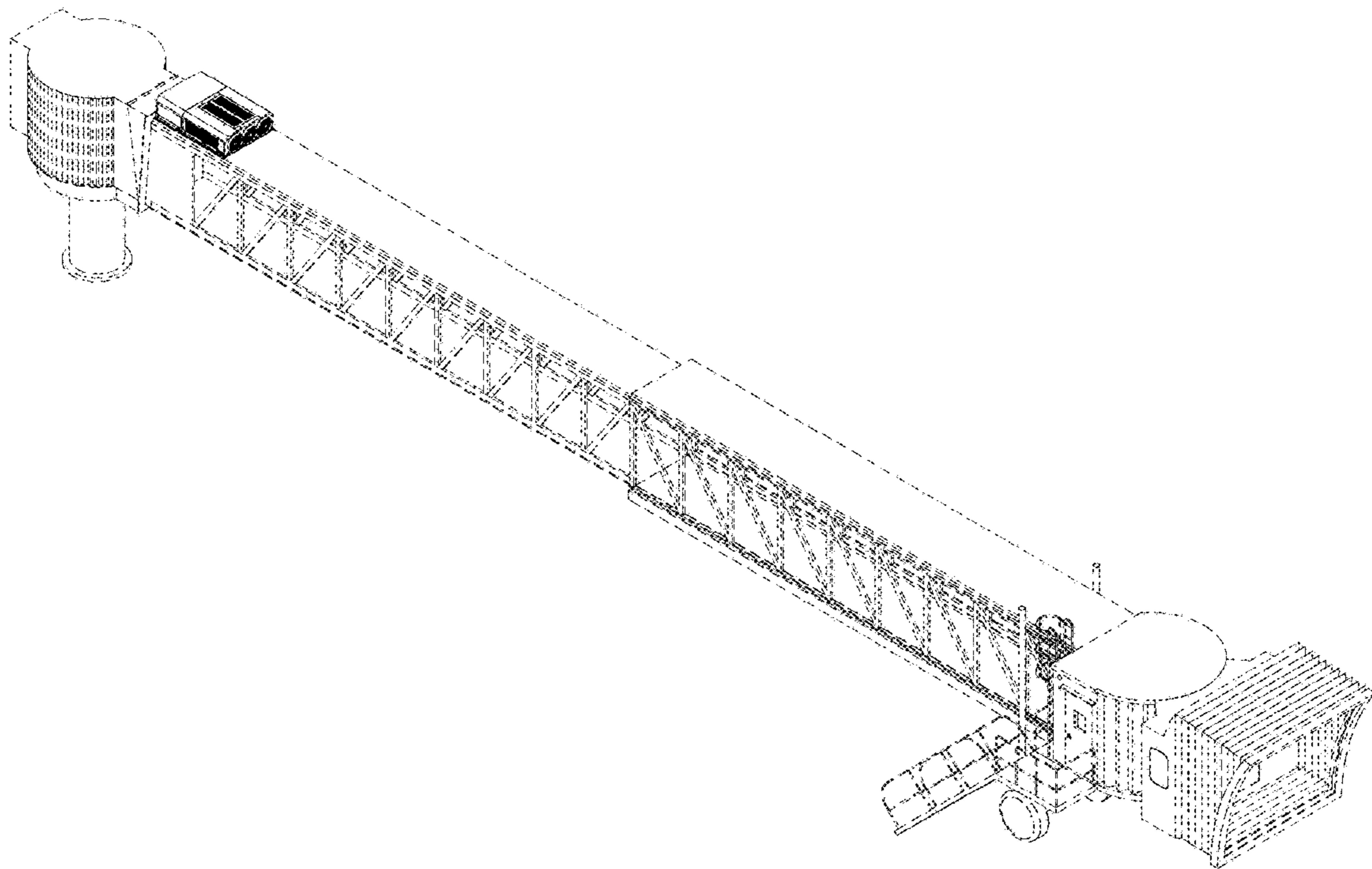


FIG. 2

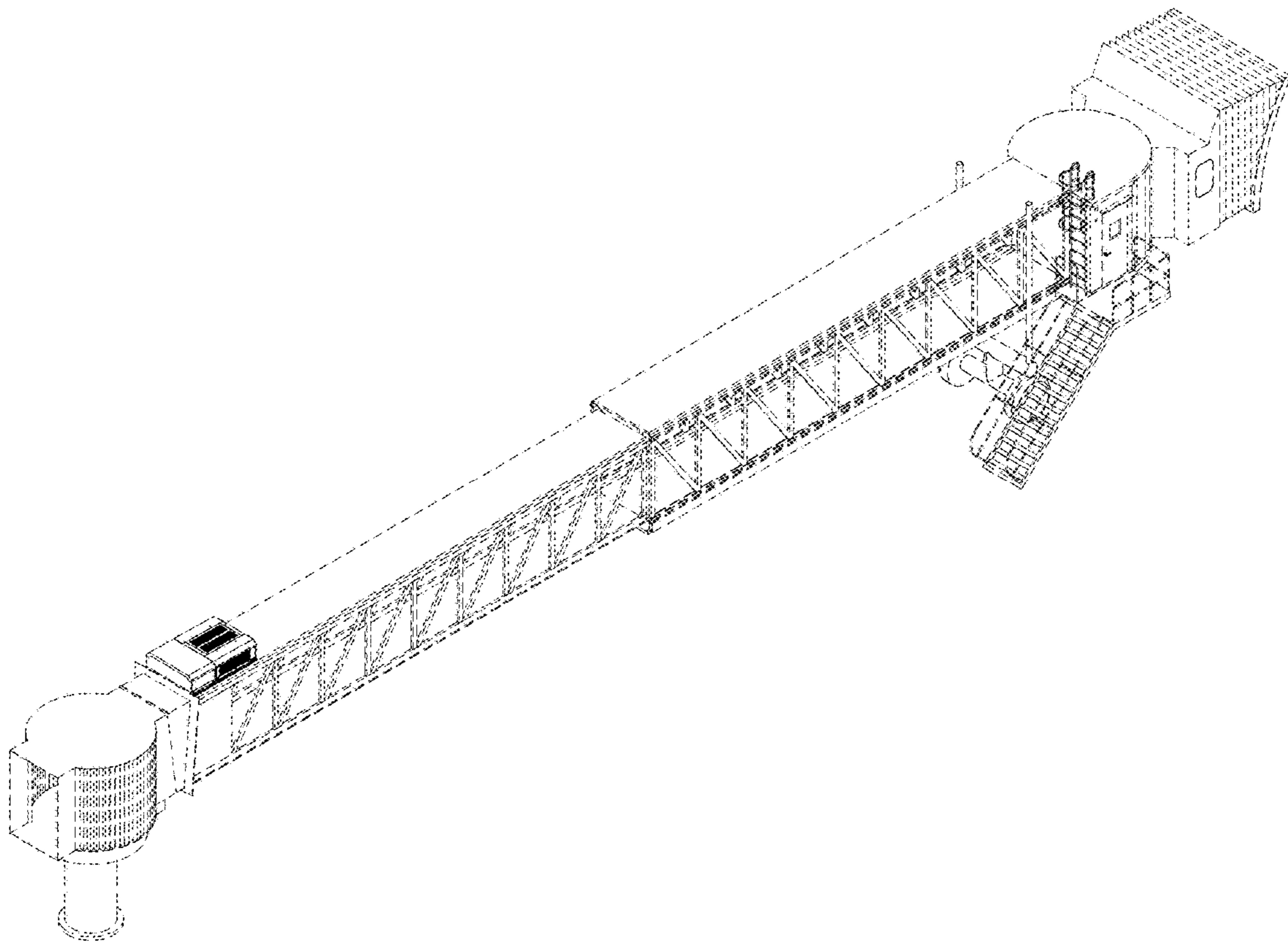


FIG. 3

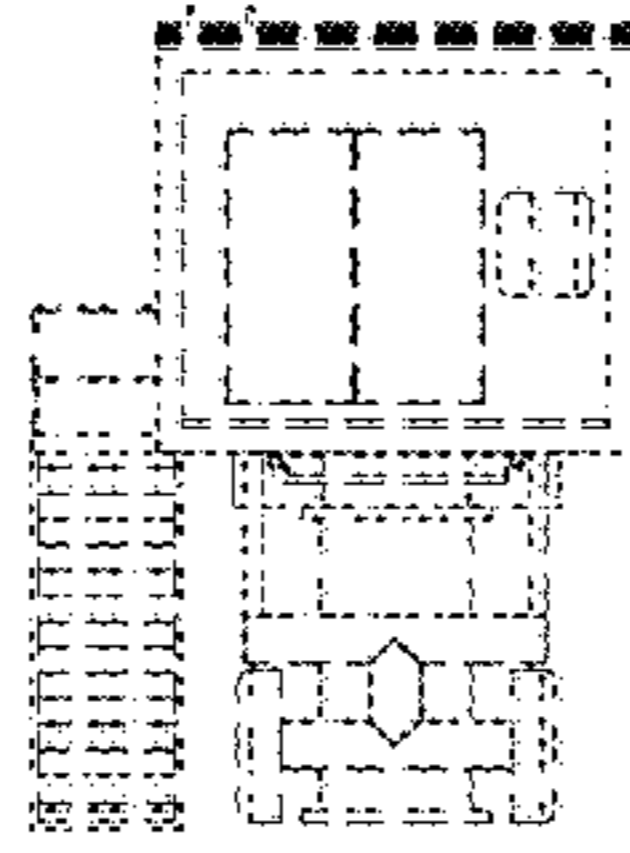


FIG. 4

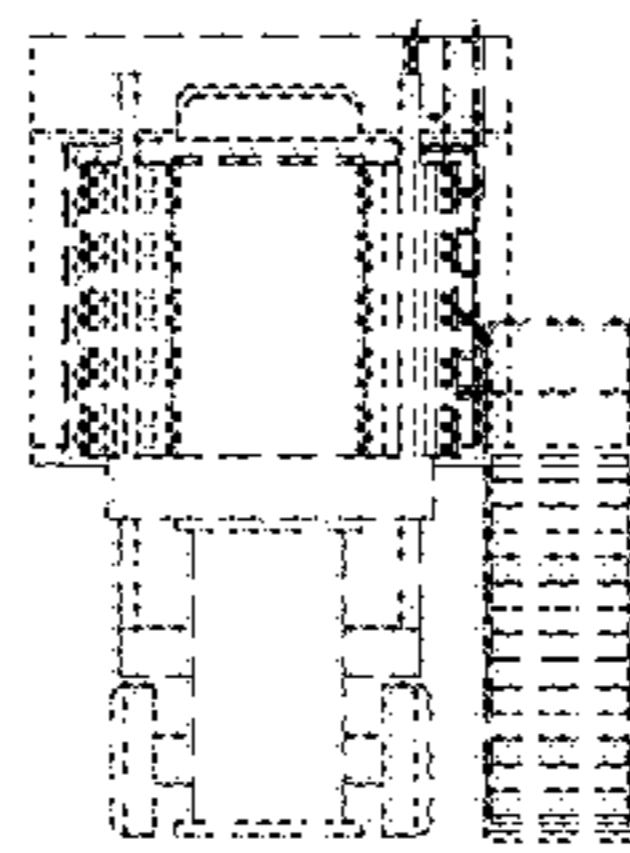


FIG. 5

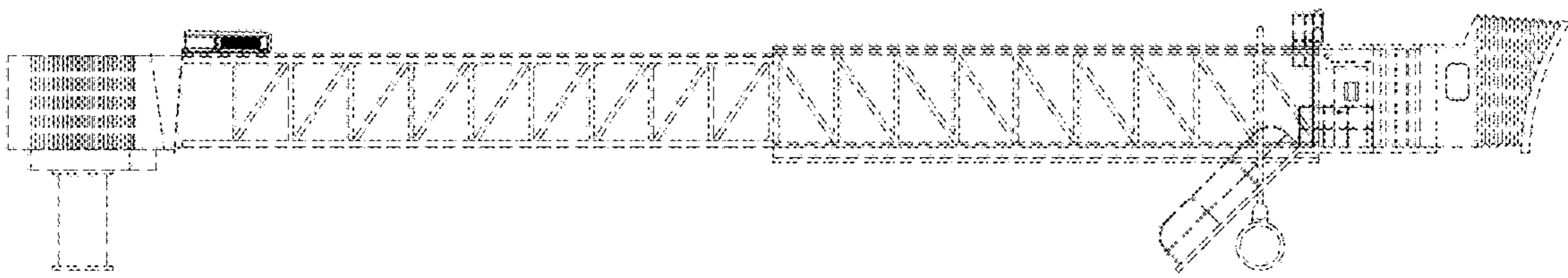


FIG. 6

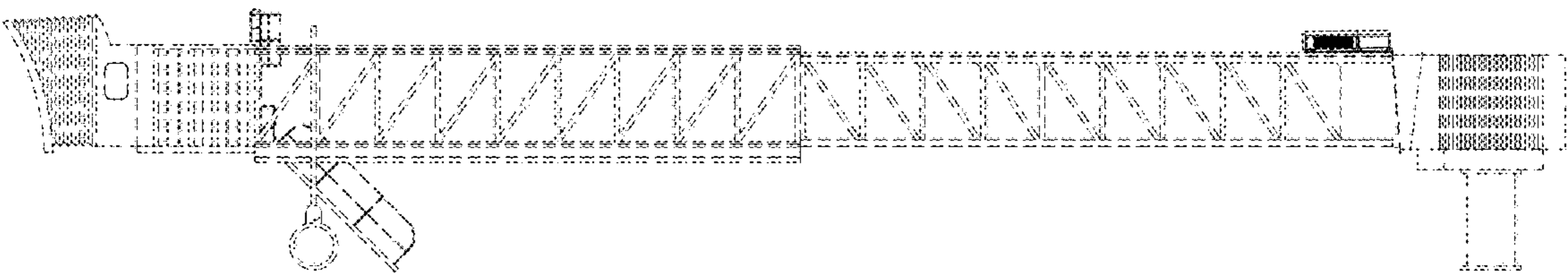


FIG. 7

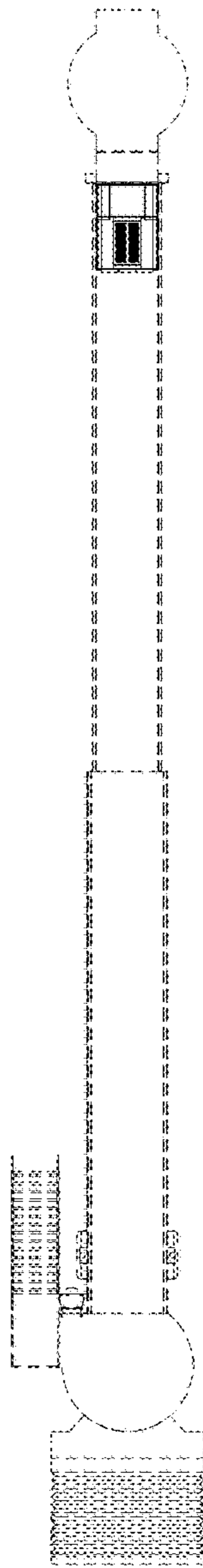


FIG. 8

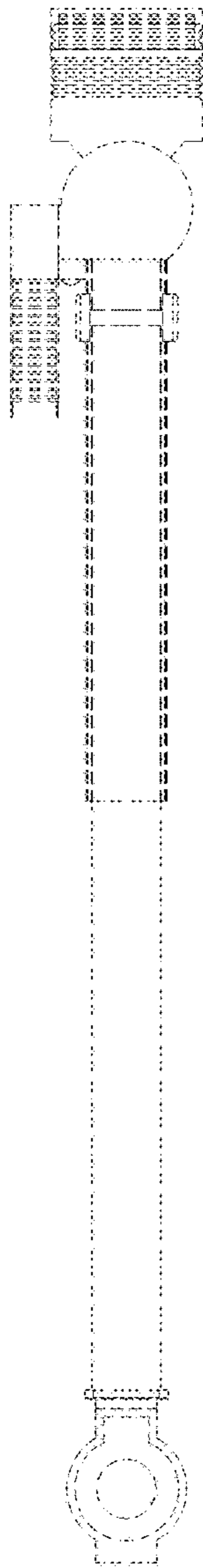


FIG. 9

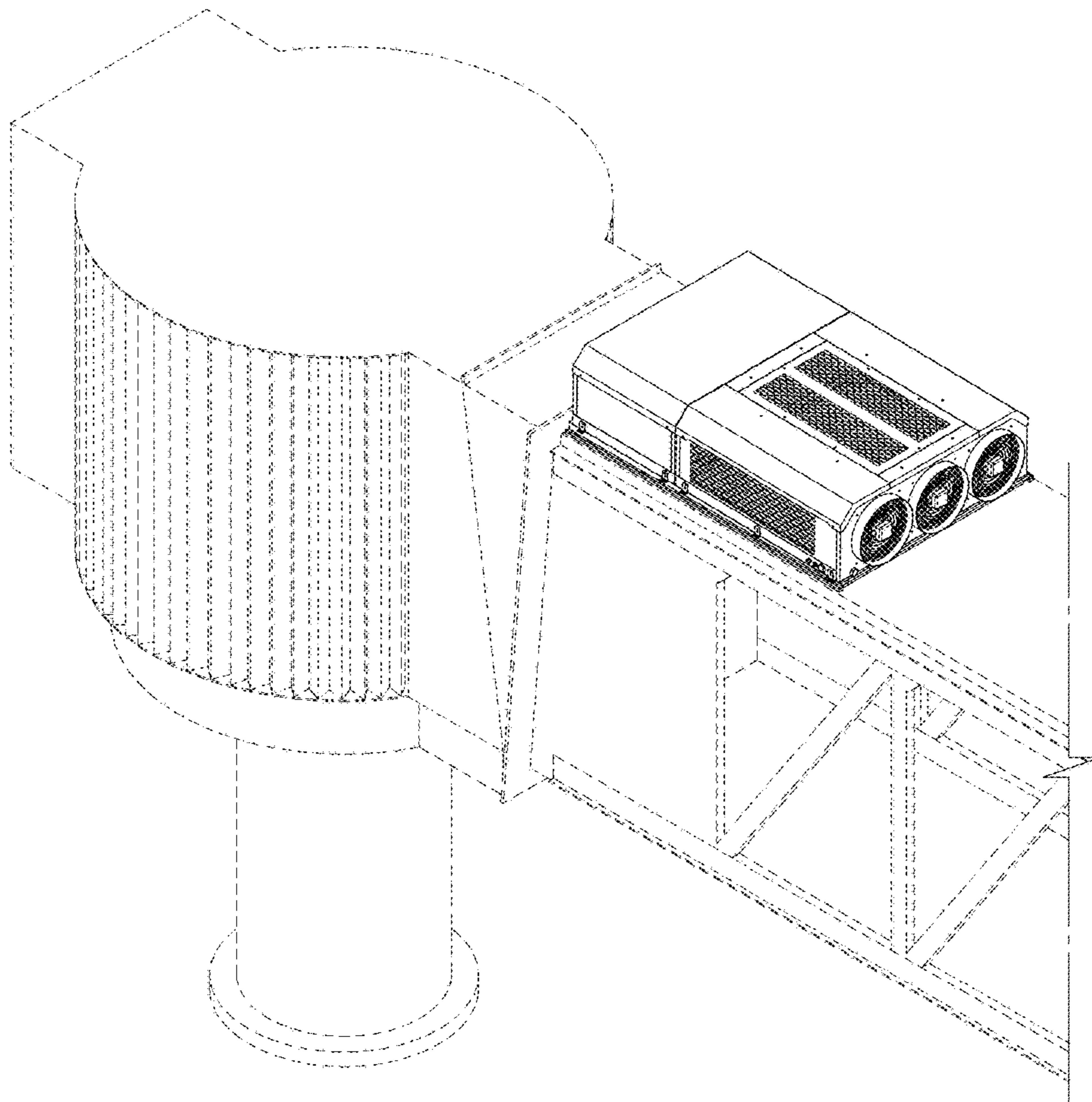


FIG. 10

