



US00D861837S

(12) **United States Design Patent** (10) **Patent No.:** **US D861,837 S**
Chong et al. (45) **Date of Patent:** **** Oct. 1, 2019**

(54) **SINK**
(71) Applicant: **Elkay Manufacturing Company**, Oak Brook, IL (US)
(72) Inventors: **Jonathan Chee Yeen Chong**, Chicago, IL (US); **Erik Lynch**, Downers Grove, IL (US)
(73) Assignee: **Elkay Manufacturing Company**, Oak Brook, IL (US)
(**) Term: **15 Years**

(21) Appl. No.: **29/631,882**
(22) Filed: **Jan. 3, 2018**
(51) **LOC (12) Cl.** **23-02**
(52) **U.S. Cl.**
USPC **D23/308**
(58) **Field of Classification Search**
USPC ... D23/270, 284, 285, 290, 289, 293.1, 303, D23/308, 499; D6/524, 573, 663-666, D6/671
CPC ... E03C 1/12; E03C 1/18; E03C 1/181; A47K 1/04; A47B 77/06; A47J 47/20
See application file for complete search history.

(56) **References Cited**

U.S. PATENT DOCUMENTS

D353,878 S	12/1994	Hauser, II	
D353,879 S	12/1994	Hauser, II	
D353,880 S	12/1994	Hauser, II	
D354,119 S	1/1995	Hauser, II	
D504,169 S *	4/2005	Gross	D23/284
D545,408 S	6/2007	Plikuhn	
D548,311 S *	8/2007	Mahon	D23/290
D552,222 S	10/2007	Tortorello	
D610,659 S *	2/2010	Booth	D23/290

D663,389 S * 7/2012 Miller D23/293.1
D682,401 S * 5/2013 Mustee D23/284
D694,377 S * 11/2013 Mustee D23/284
(Continued)

FOREIGN PATENT DOCUMENTS

CN 201630233528 * 6/2016
KR 3020040020607 * 7/2004

Primary Examiner — Sheryl Lane
Assistant Examiner — Samantha N Wood
(74) *Attorney, Agent, or Firm* — Leydig, Voit & Mayer, Ltd.

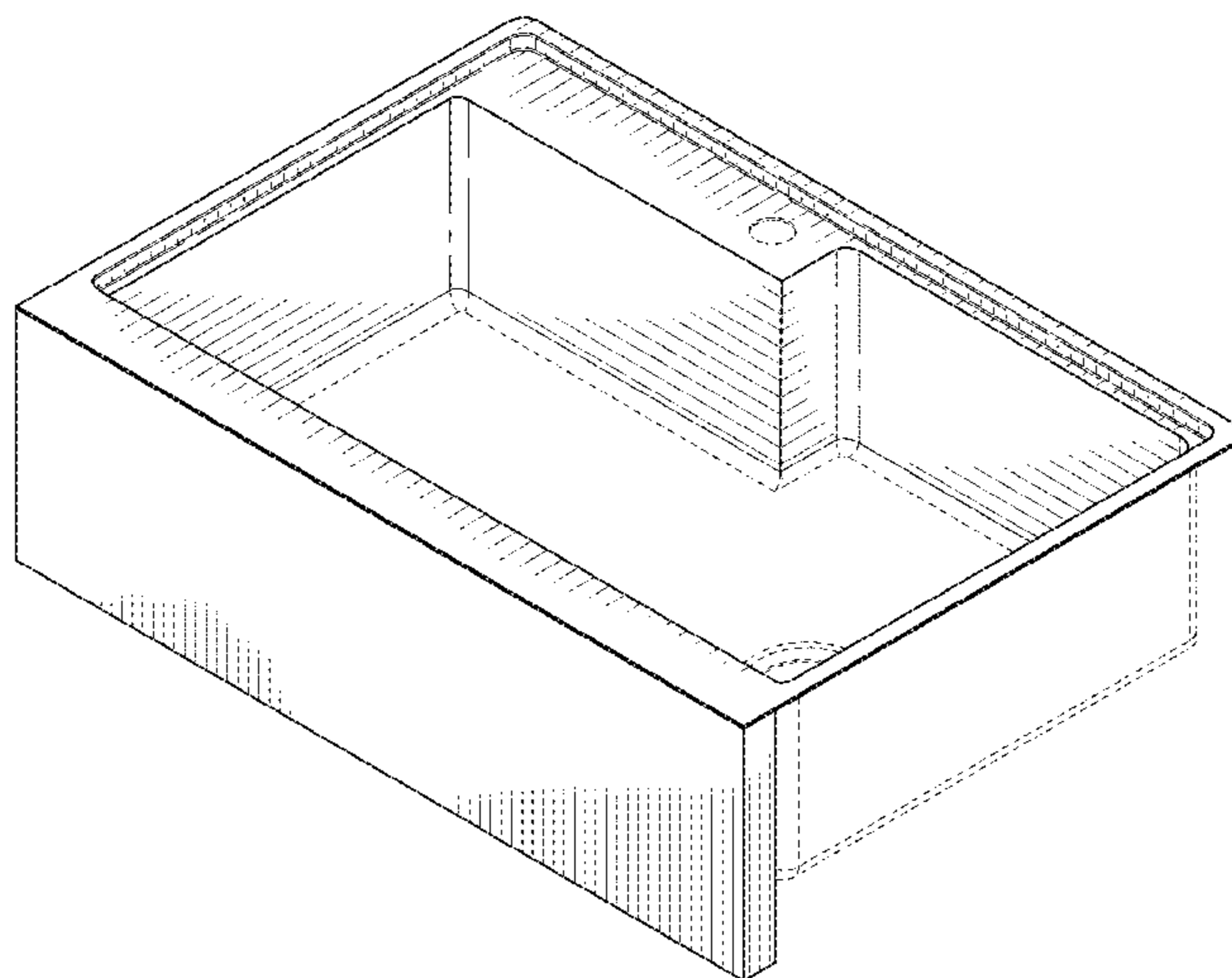
(57) **CLAIM**

The ornamental design for a sink, as shown and described.

DESCRIPTION

FIG. 1 is a perspective view taken from the front, top, and right side of a sink in accordance with a first embodiment of our new design.
FIG. 2 is a top plan view of the sink of FIG. 1.
FIG. 3 is a bottom plan view of the sink of FIG. 1.
FIG. 4 is a right side elevation view of the sink of FIG. 1.
FIG. 5 is a left side elevation view of the sink of FIG. 1.
FIG. 6 is a front elevation view of the sink of FIG. 1.
FIG. 7 is a rear elevation view of the sink of FIG. 1.
FIG. 8 is a perspective view taken from the front, top, and right side of a sink in accordance with a second embodiment of our new design.
FIG. 9 is a top plan view of the sink of FIG. 8.
FIG. 10 is a bottom plan view of the sink of FIG. 8.
FIG. 11 is a right side elevation view of the sink of FIG. 8.
FIG. 12 is a left side elevation view of the sink of FIG. 8.
FIG. 13 is a front elevation view of the sink of FIG. 8; and, FIG. 14 is a rear elevation view of the sink of FIG. 8.
The broken lines shown depict portions of the sink that form no part of the claimed design.

1 Claim, 8 Drawing Sheets



(56)

References Cited

U.S. PATENT DOCUMENTS

D746,420 S	*	12/2015	Kurth	D23/290
D799,648 S	*	10/2017	Chong	D23/284
D799,649 S		10/2017	Chong	
D816,197 S	*	4/2018	Chong	D23/290

* cited by examiner

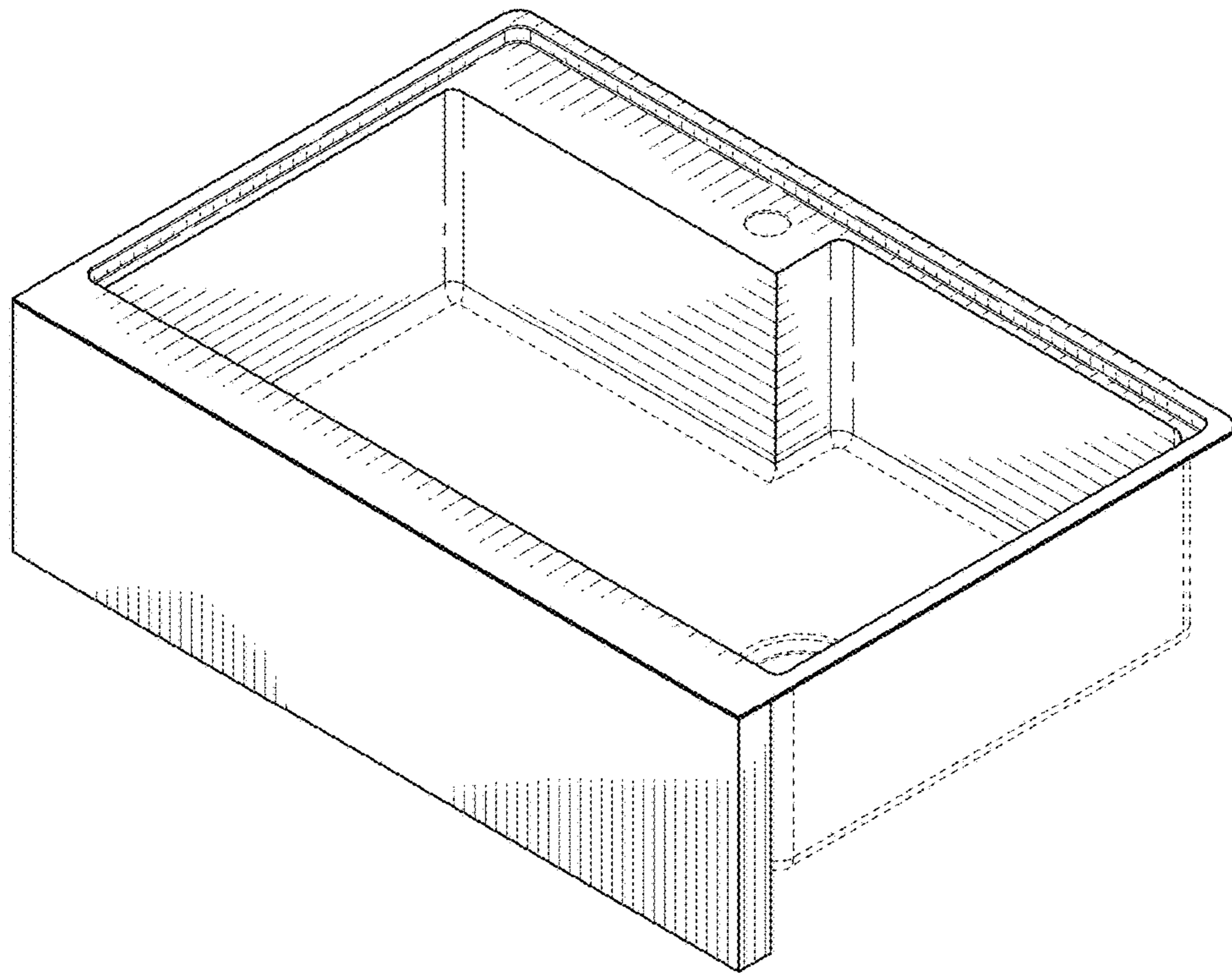


FIG. 1

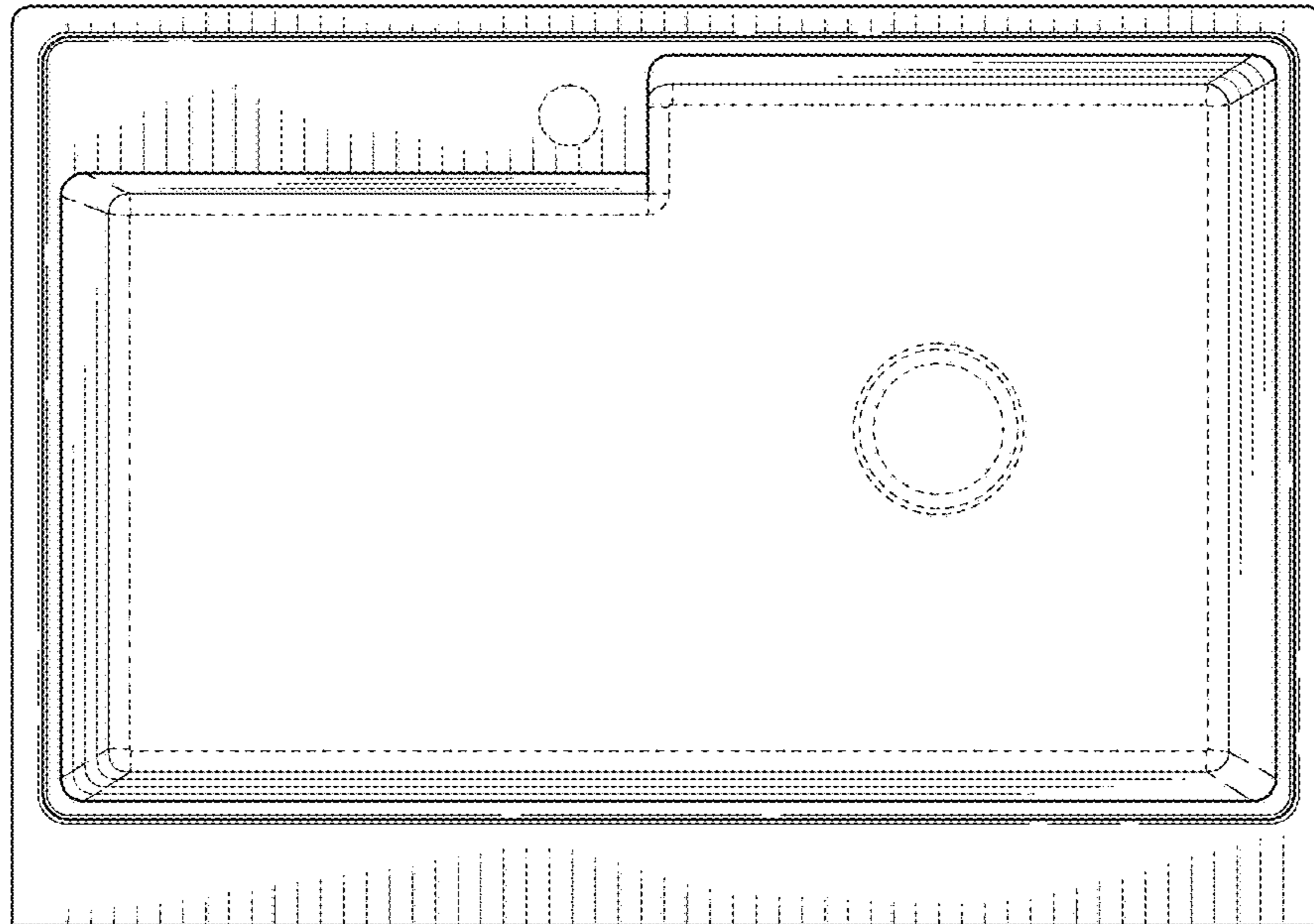


FIG. 2

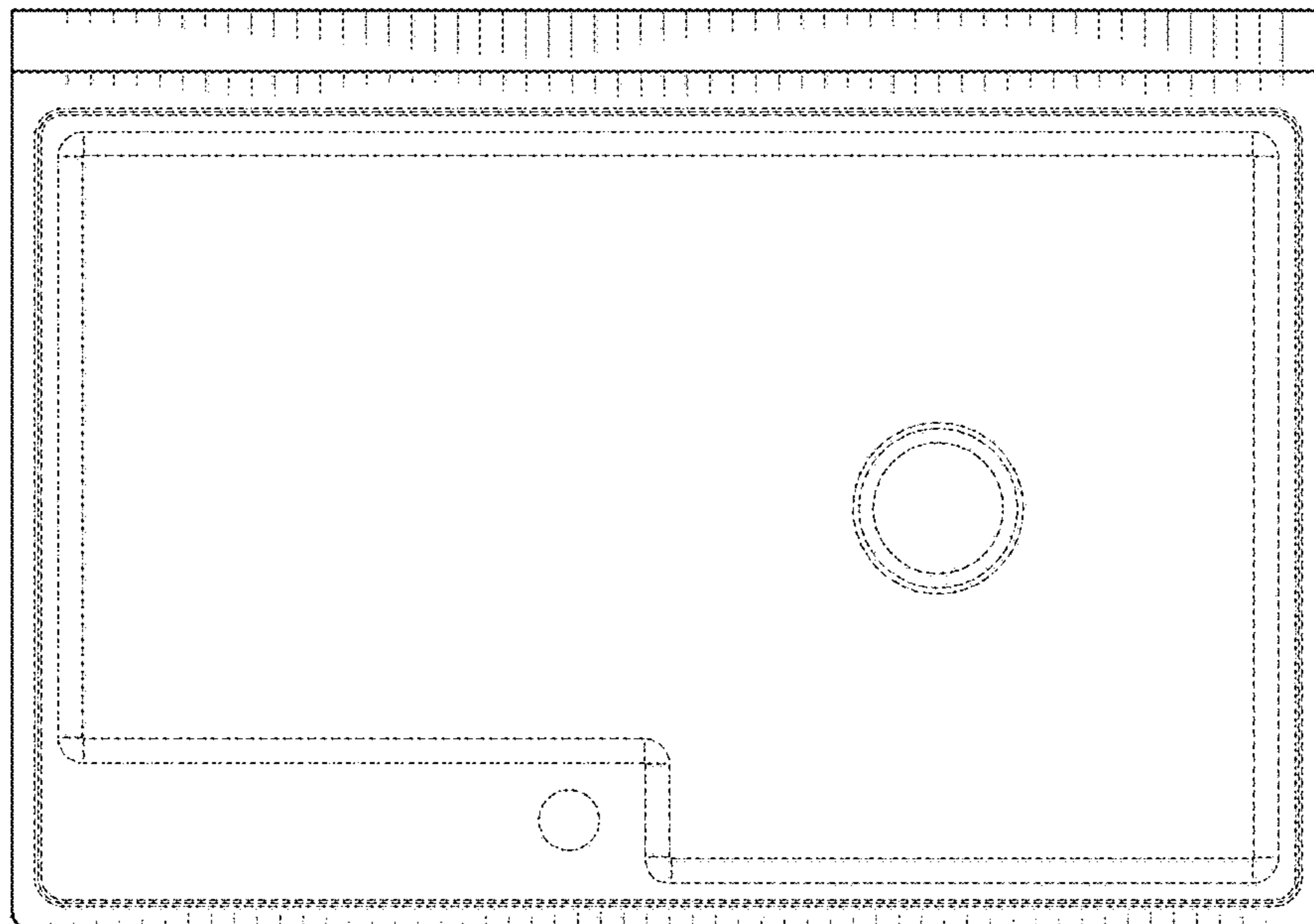


FIG. 3

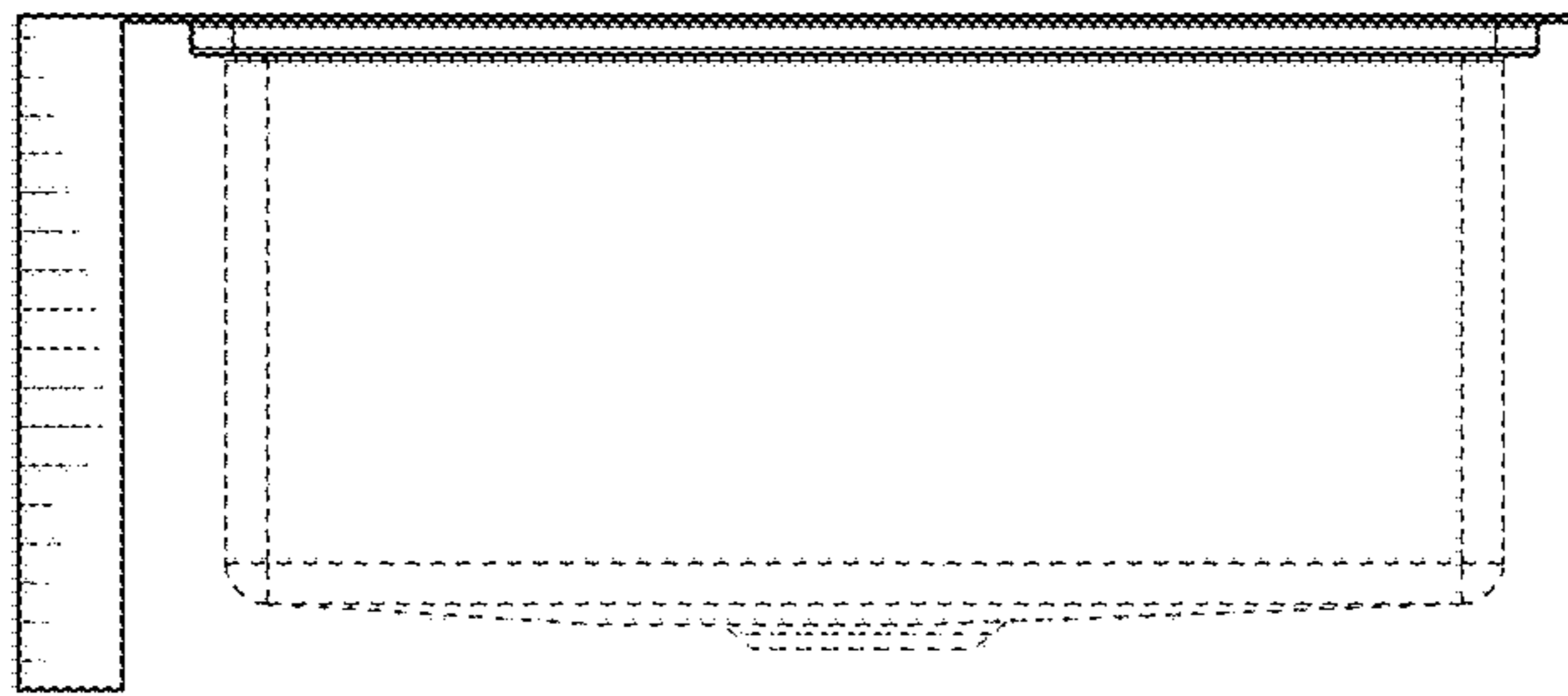


FIG. 4

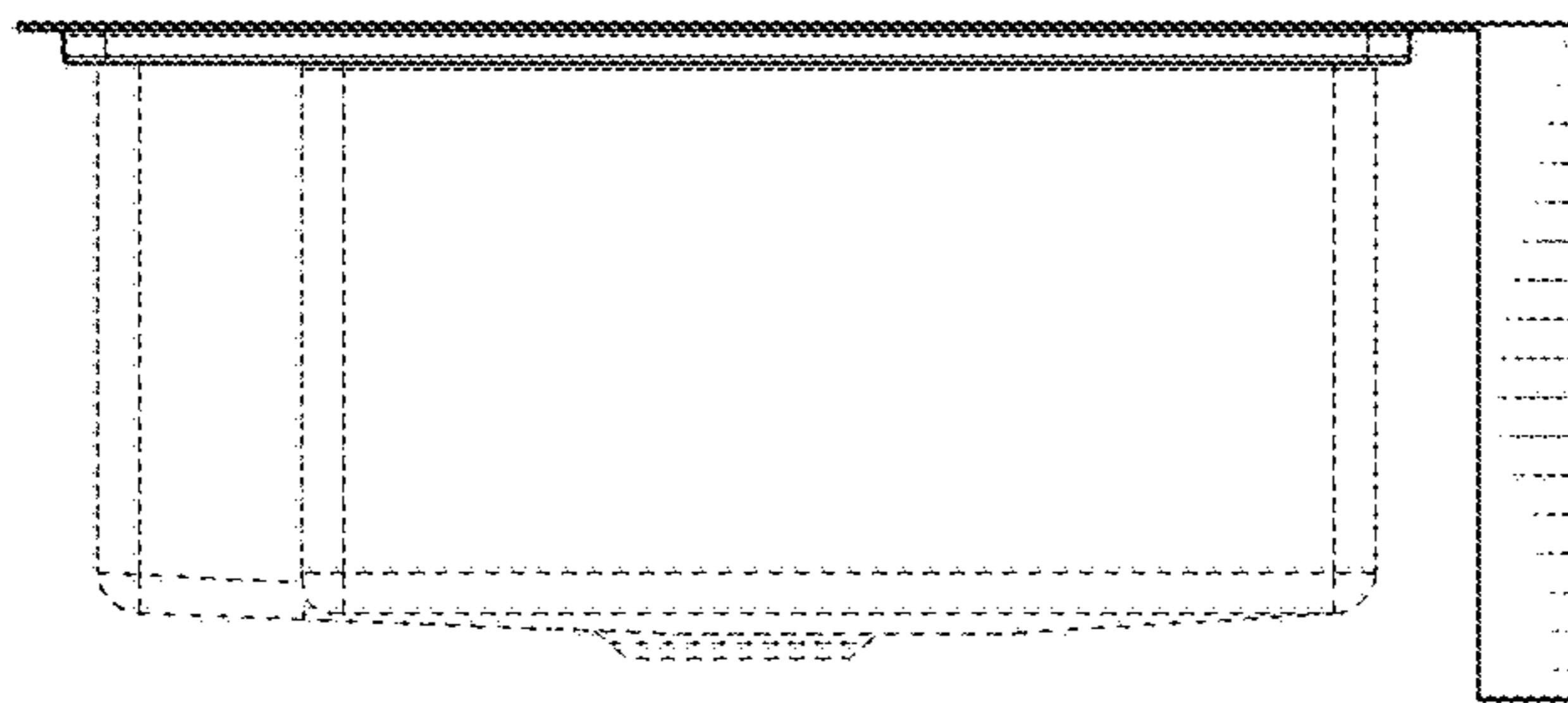


FIG. 5

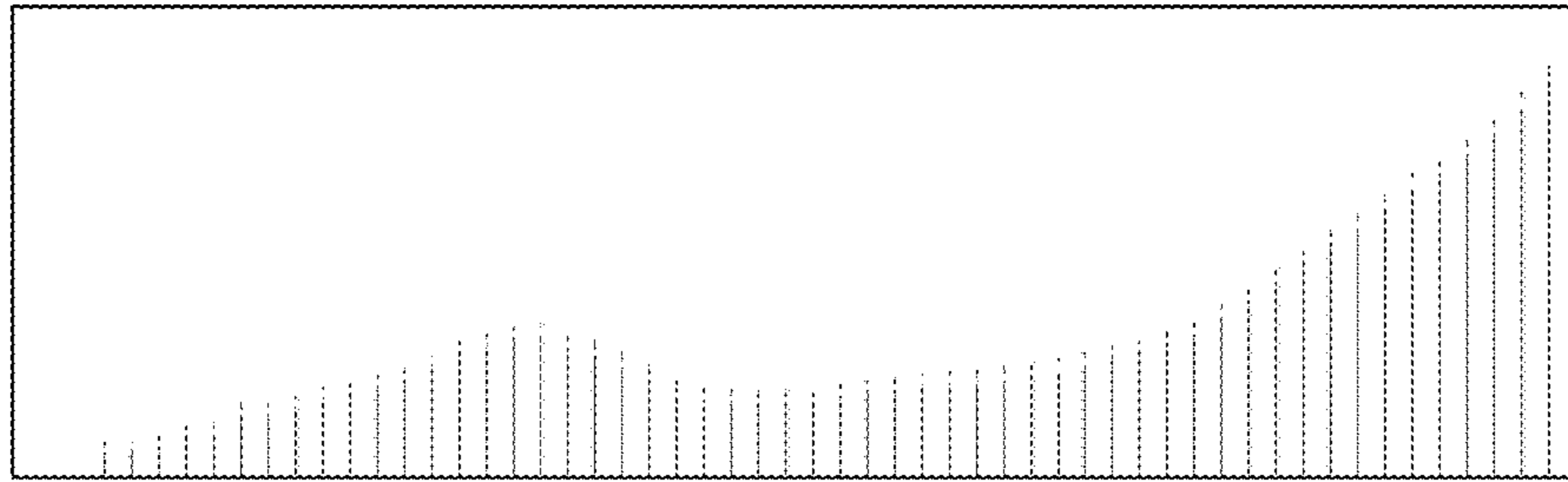


FIG. 6

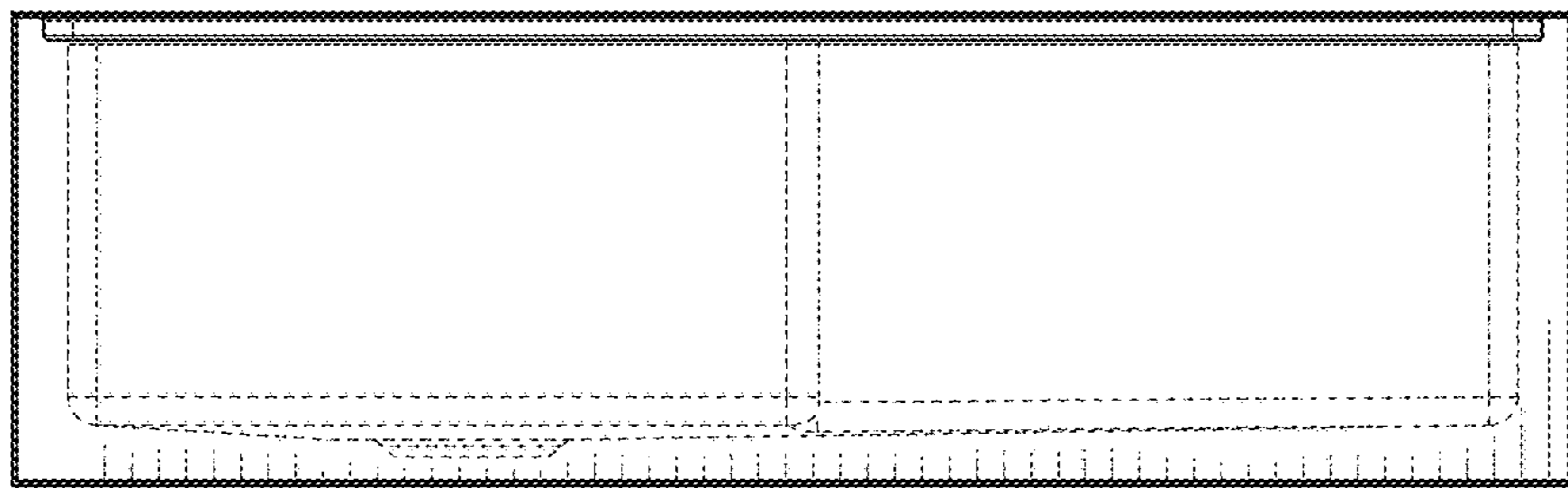


FIG. 7

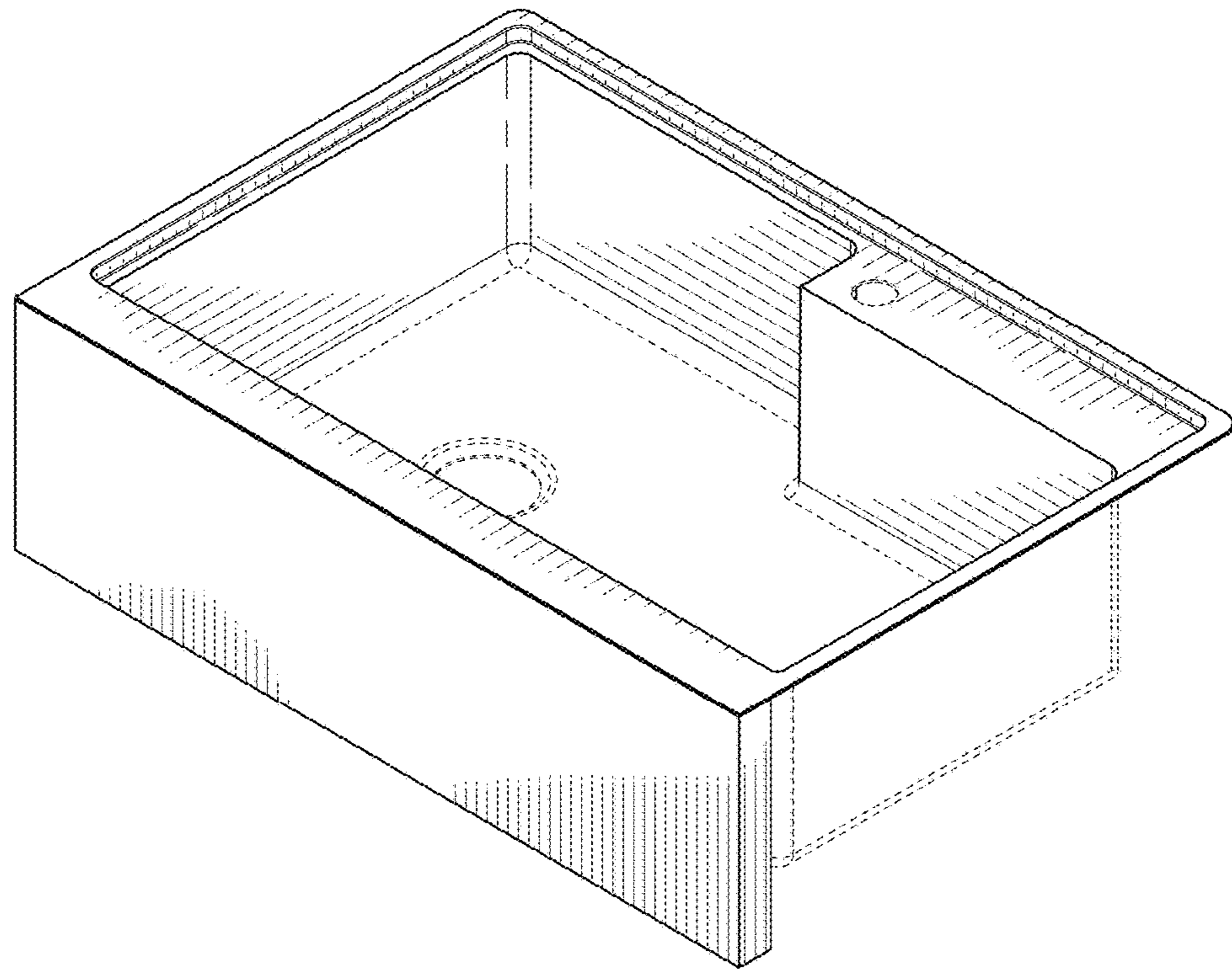


FIG. 8

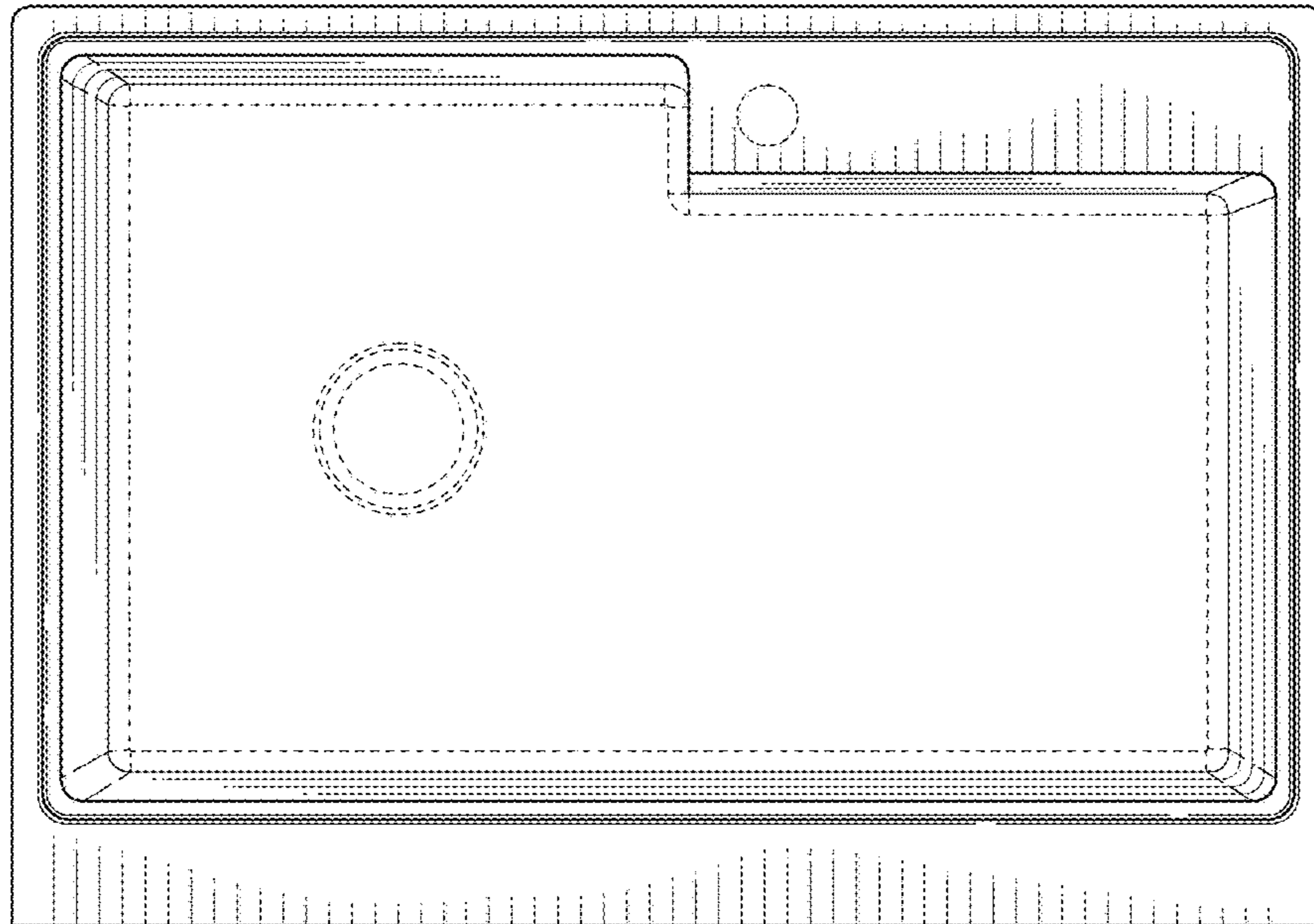


FIG. 9

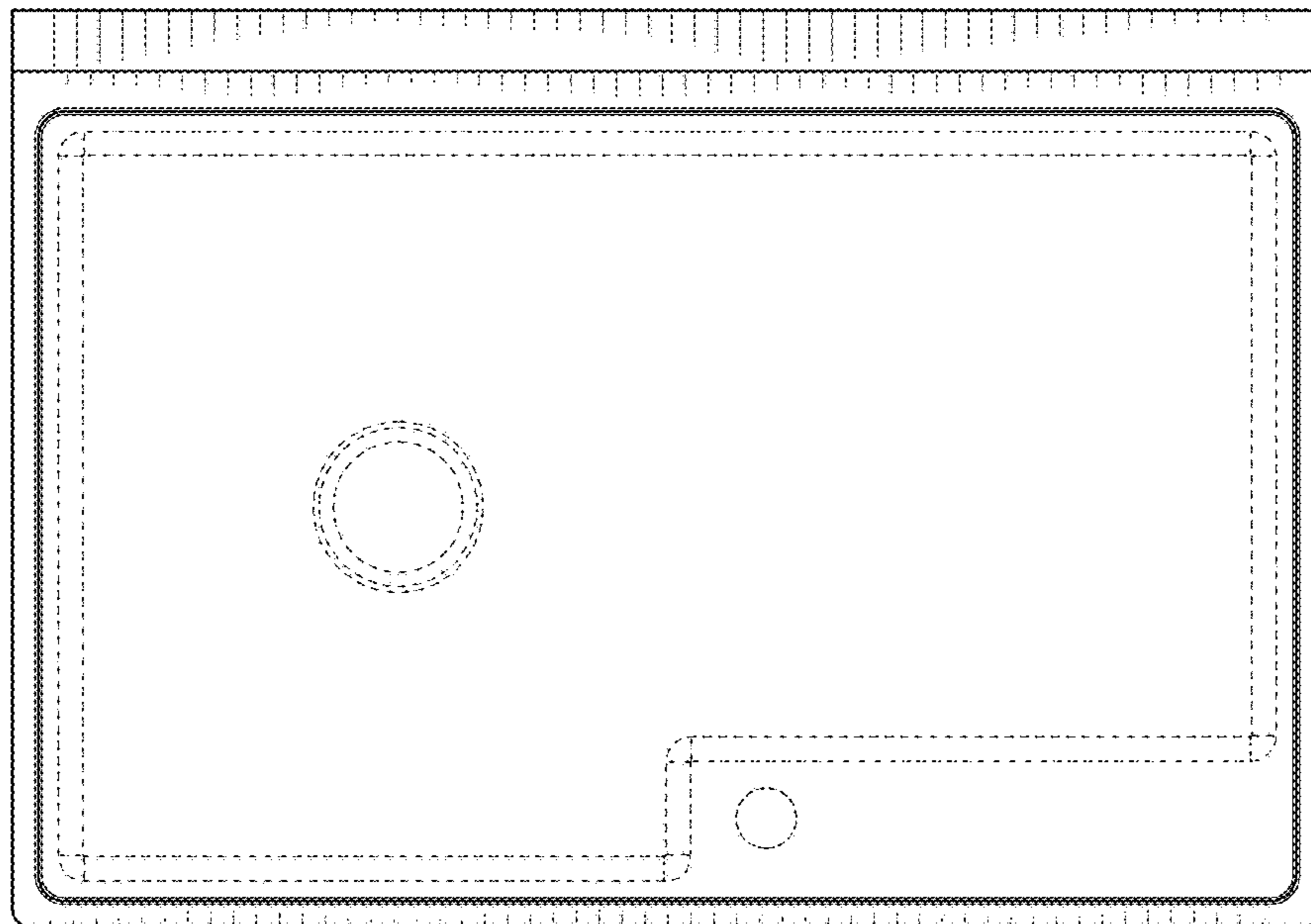


FIG. 10

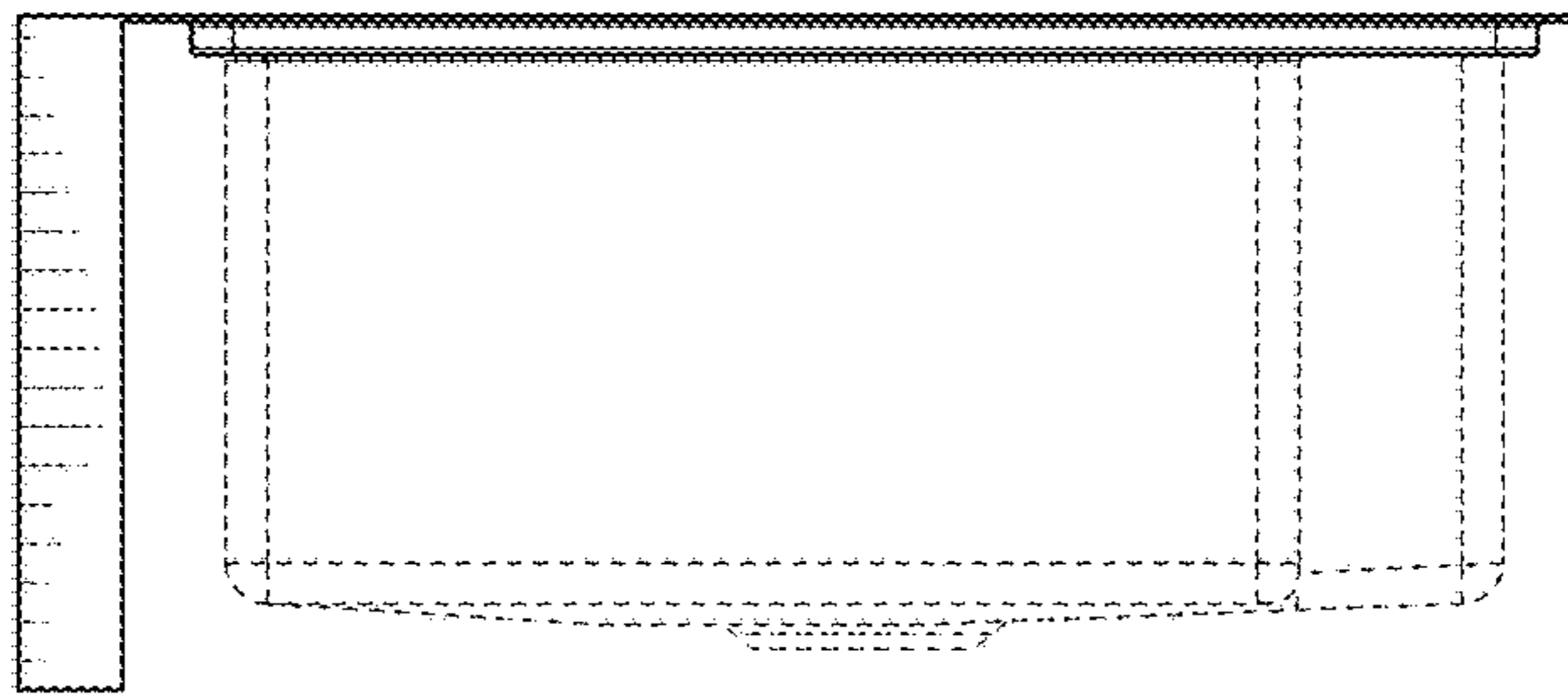


FIG. 11

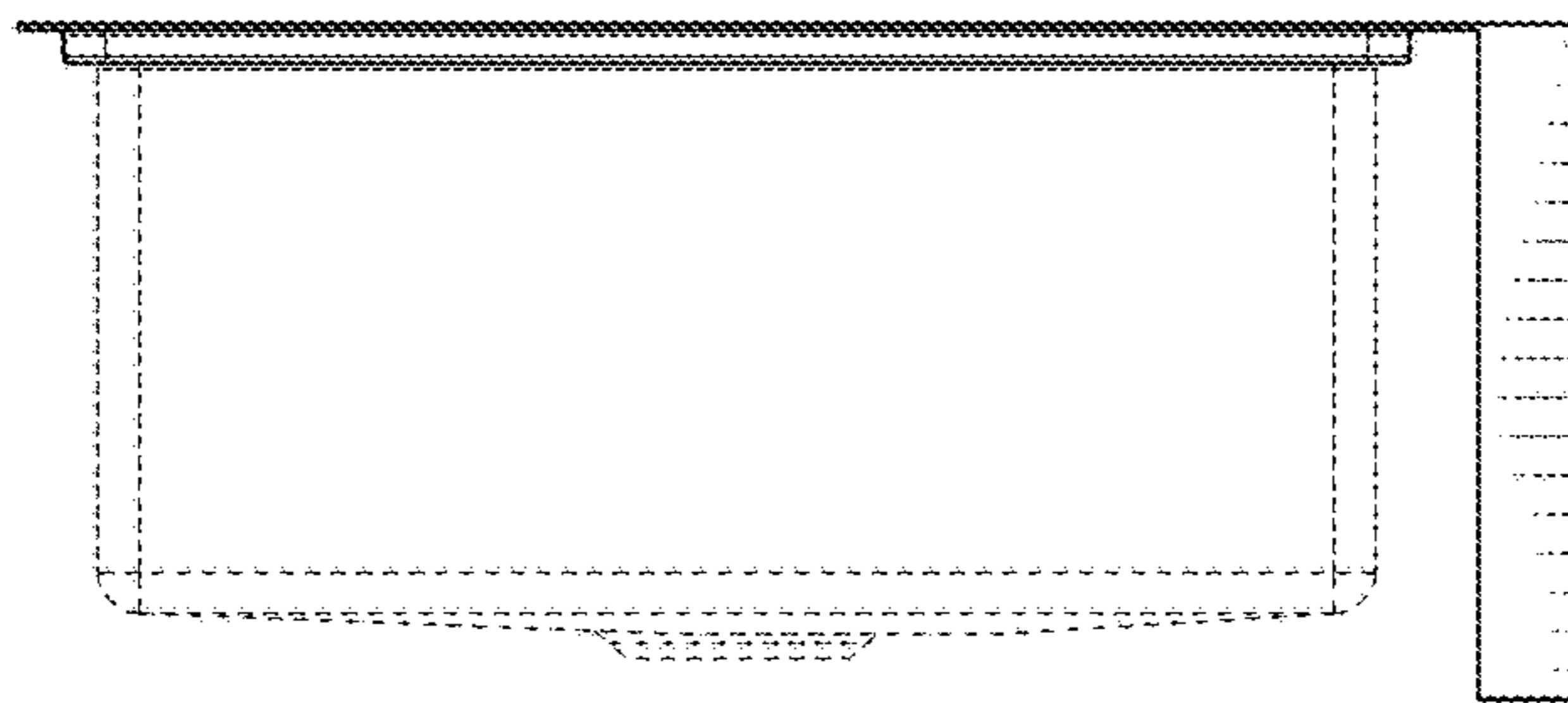


FIG. 12

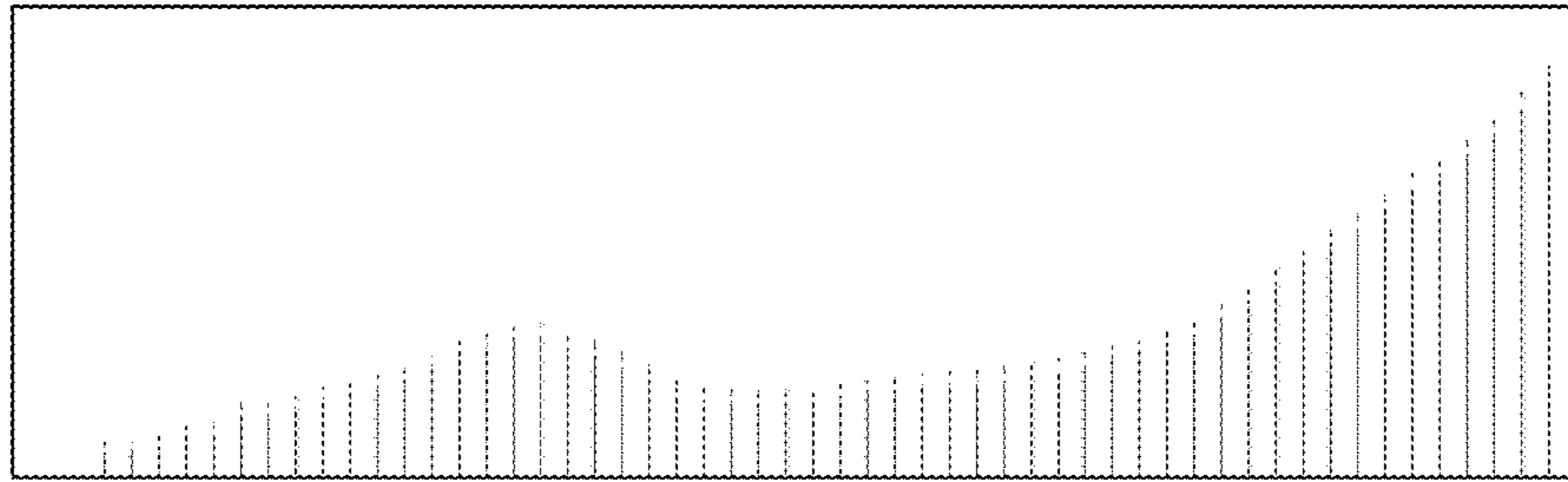


FIG. 13

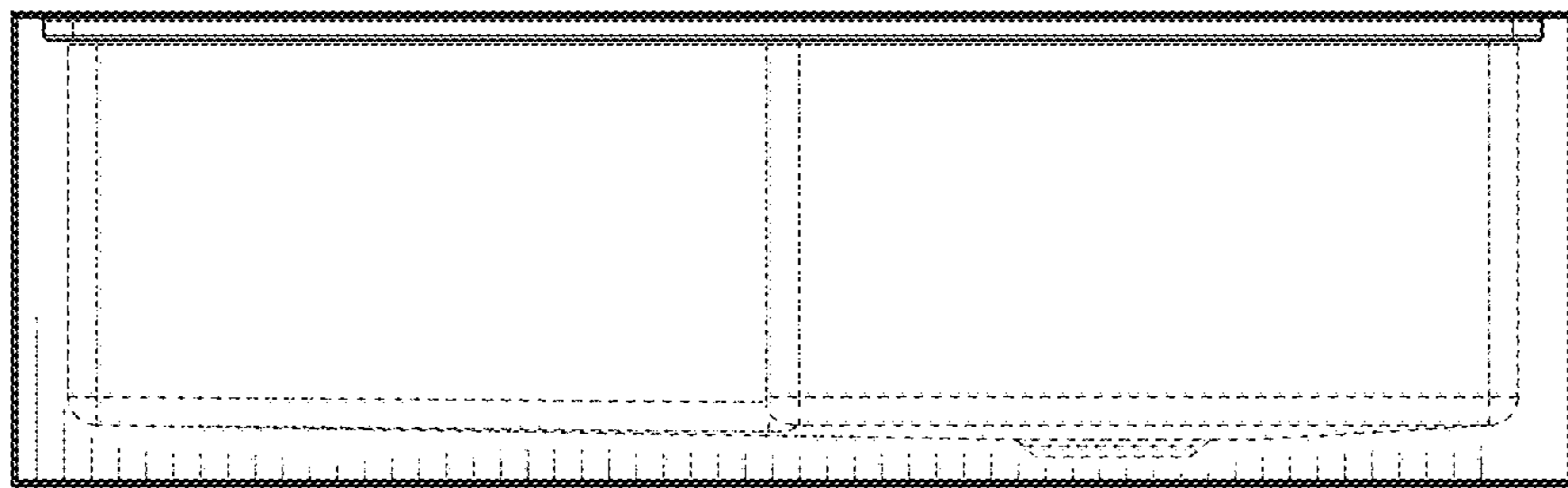


FIG. 14