



US00D861836S

(12) **United States Design Patent**  
**Lee et al.**

(10) **Patent No.:** **US D861,836 S**  
(45) **Date of Patent:** **\*\* Oct. 1, 2019**

- (54) **PIPE CONNECTING TUBE**
- (71) Applicants: **PPI PYUNGWHA CO., LTD.**,  
Hwaseong-si, Gyeonggi-do (KR); **PPI America Inc.**, Chicago, IL (US)
- (72) Inventors: **Jong-Tae Lee**, Seoul (KR); **Kiwoong Hwang**, Yangju-si (KR)
- (73) Assignees: **PPI PYUNGWHA CO., LTD.**,  
Hwaseong-si (KR); **PPI AMERICA INC.**, Chicago, IL (US)

D389,562 S *	1/1998	Picton	.....	D23/263
6,012,871 A *	1/2000	Bryant	.....	E03F 1/002
				405/40
6,422,608 B1 *	7/2002	Lee	.....	B65G 53/523
				285/131.1
D630,305 S *	1/2011	Adams	.....	D23/259
D738,472 S *	9/2015	Bednarz	.....	D23/263
D743,511 S *	11/2015	Bednarz	.....	D23/263
D770,599 S *	11/2016	Daughters	.....	D23/259
D770,600 S *	11/2016	Daughters	.....	D23/263
D771,779 S *	11/2016	Scifres	.....	D23/263
D776,797 S *	1/2017	Bednarz	.....	D23/263
2004/0194840 A1 *	10/2004	Swingley	.....	F16L 47/32
				138/155

(\*\*) Term: **15 Years**

\* cited by examiner

(21) Appl. No.: **29/640,251**

*Primary Examiner* — Eric L Goodman

(22) Filed: **Mar. 13, 2018**

*Assistant Examiner* — Amy C Wierenga

(30) **Foreign Application Priority Data**

(74) *Attorney, Agent, or Firm* — Sughrue Mion, PLLC

Oct. 17, 2017 (KR) ..... 30-2017-0048143

(51) **LOC (12) Cl.** ..... **23-01**

(52) **U.S. Cl.**  
USPC ..... **D23/263**

(58) **Field of Classification Search**  
USPC .... D23/259, 262–263, 265–266; D24/110.1,  
D24/110.4–110.6, 129; 285/132.1,  
285/133.11, 179, 179.1, 179.2, 125.1  
CPC ..... F16L 43/001; F16L 43/002; F16L 43/008;  
F16L 21/005; F16L 21/002; F16L 21/08;  
F16L 21/06; F16L 21/04; F16L 9/22  
See application file for complete search history.

(56) **References Cited**

**U.S. PATENT DOCUMENTS**

D22,865 S \* 10/1893 Pierce ..... D23/248  
D304,486 S \* 11/1989 Elder ..... D23/233

(57) **CLAIM**

The ornamental design for a pipe connecting tube, as shown and described.

**DESCRIPTION**

FIG. 1 is a perspective view of a pipe connecting tube showing our new design;  
FIG. 2 is a front view of the pipe connecting tube;  
FIG. 3 is a rear view of the pipe connecting tube;  
FIG. 4 is a left-side view of the pipe connecting tube;  
FIG. 5 is a right-side view of the pipe connecting tube;  
FIG. 6 is a top plan view of the pipe connecting tube;  
FIG. 7 is a bottom view of the pipe connecting tube; and,  
FIG. 8 is an exploded perspective view of the pipe connecting tube which includes a cap, a sealing, and a main body.

**1 Claim, 8 Drawing Sheets**

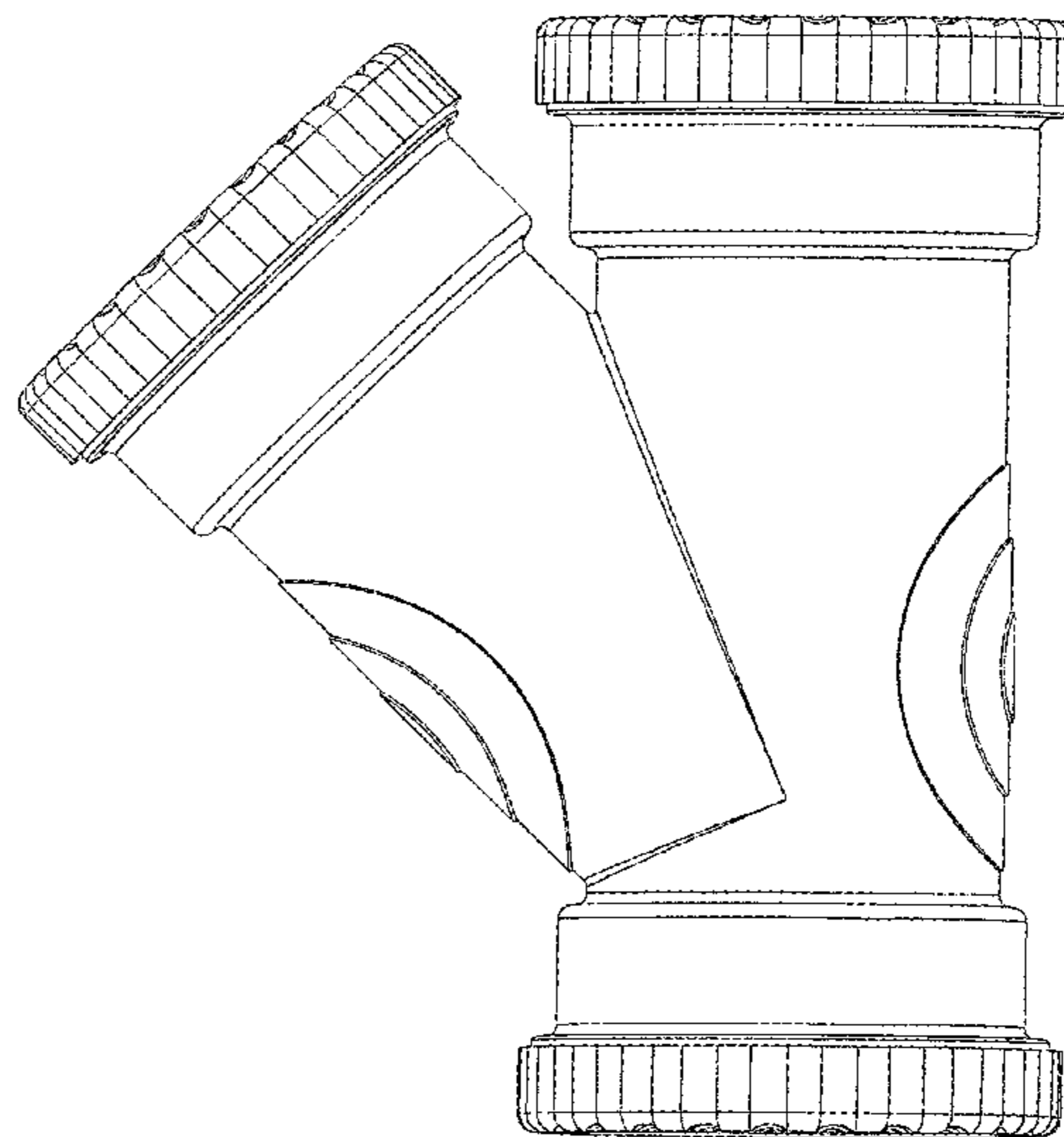
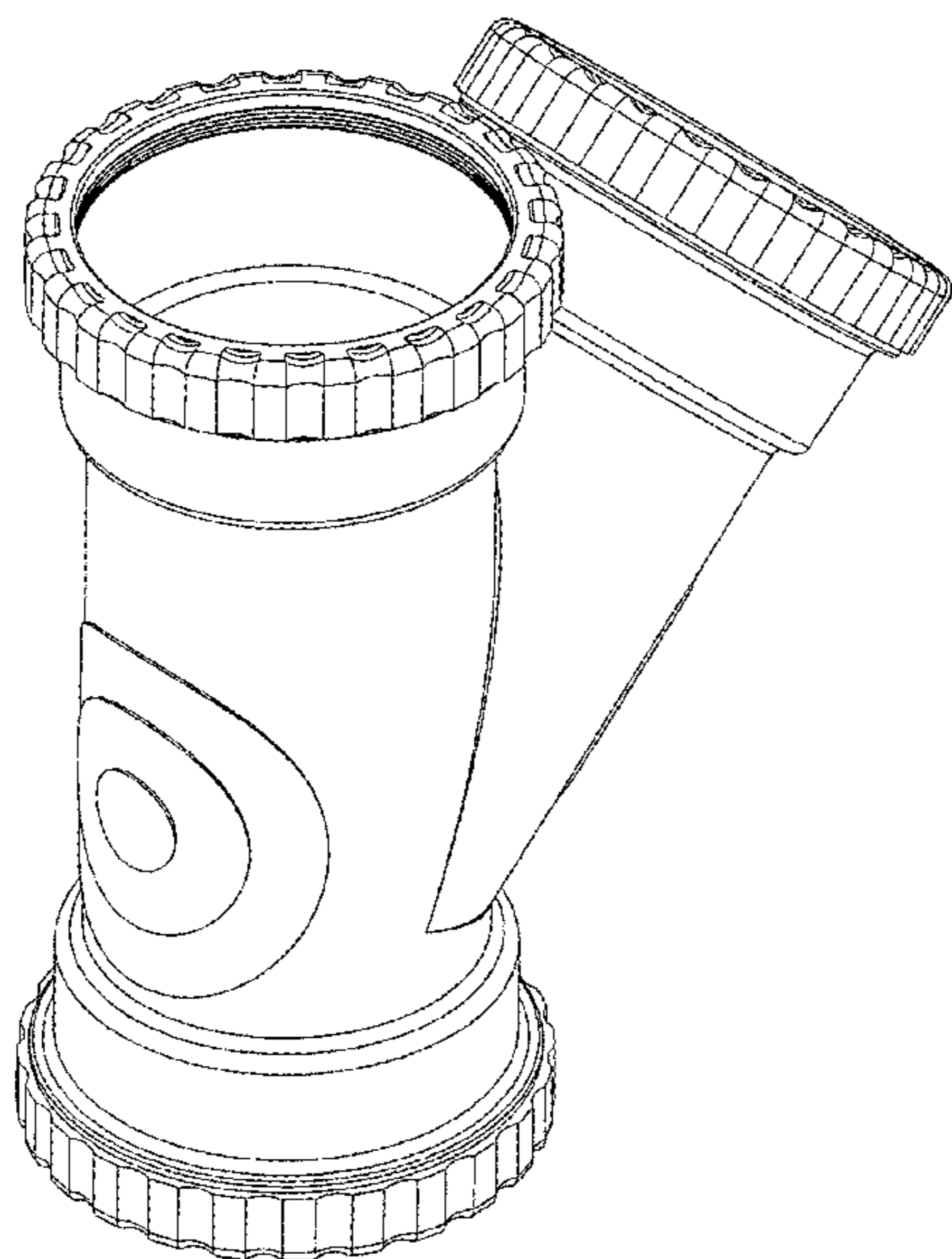


FIG. 1

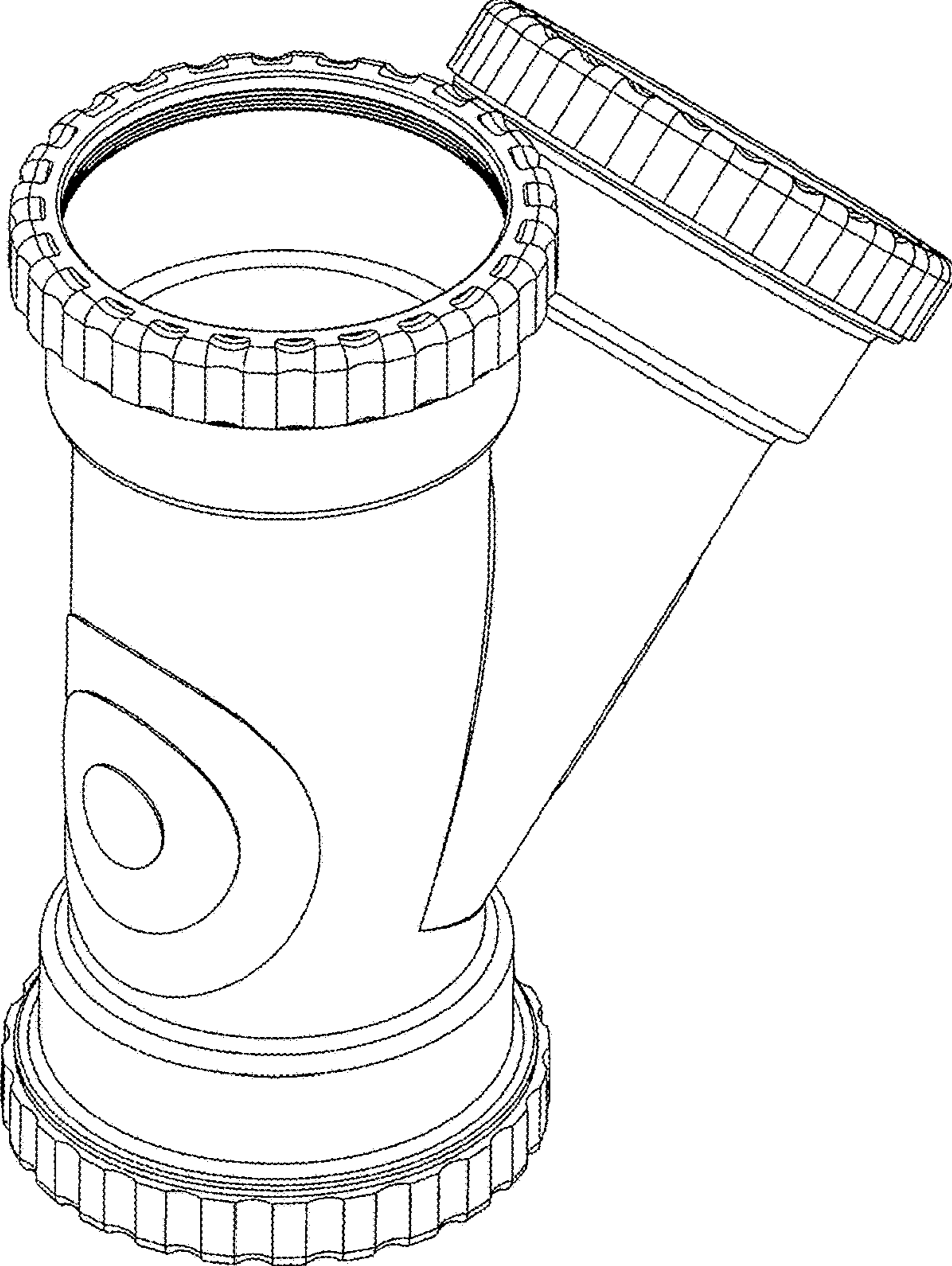


FIG. 2

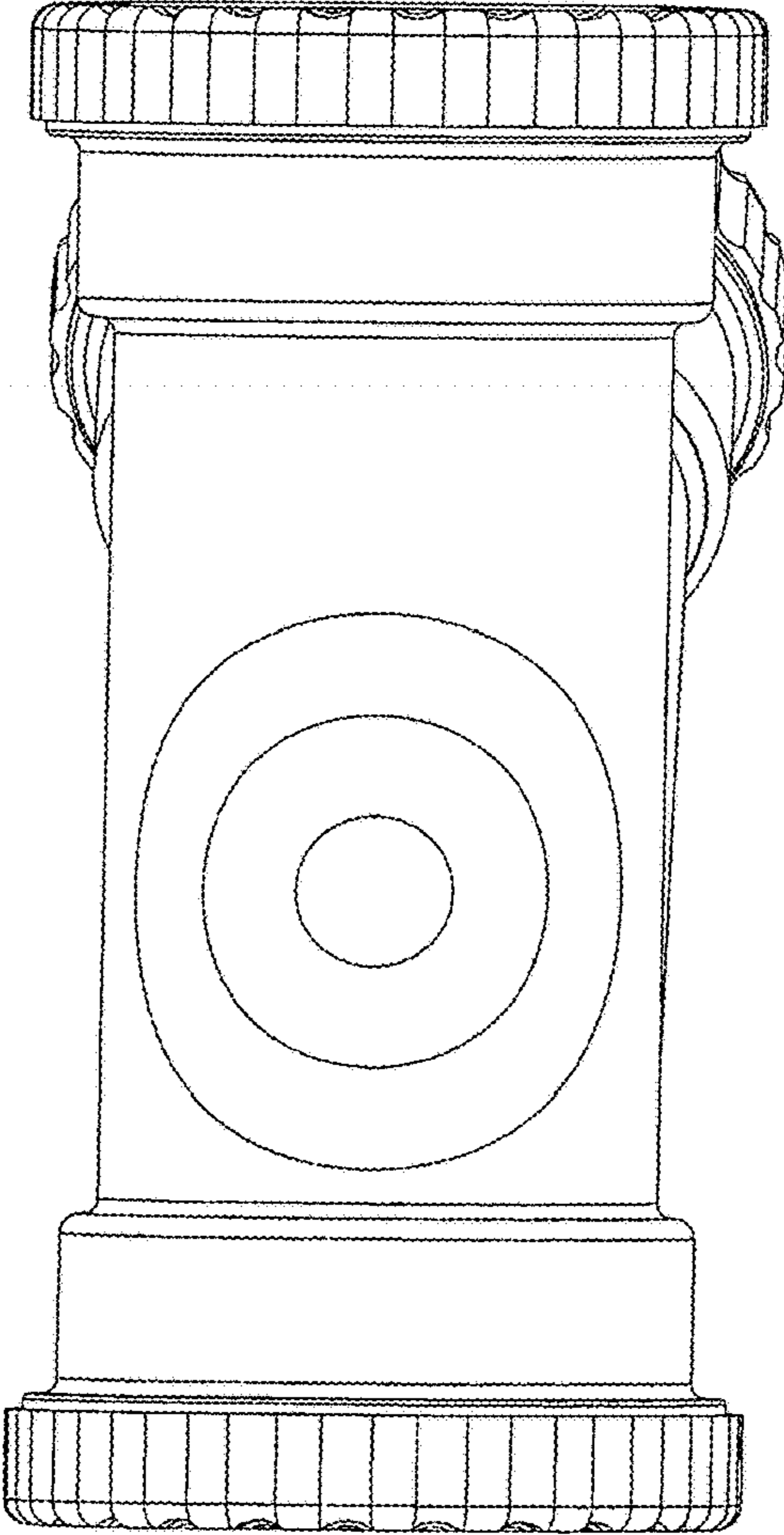


FIG. 3

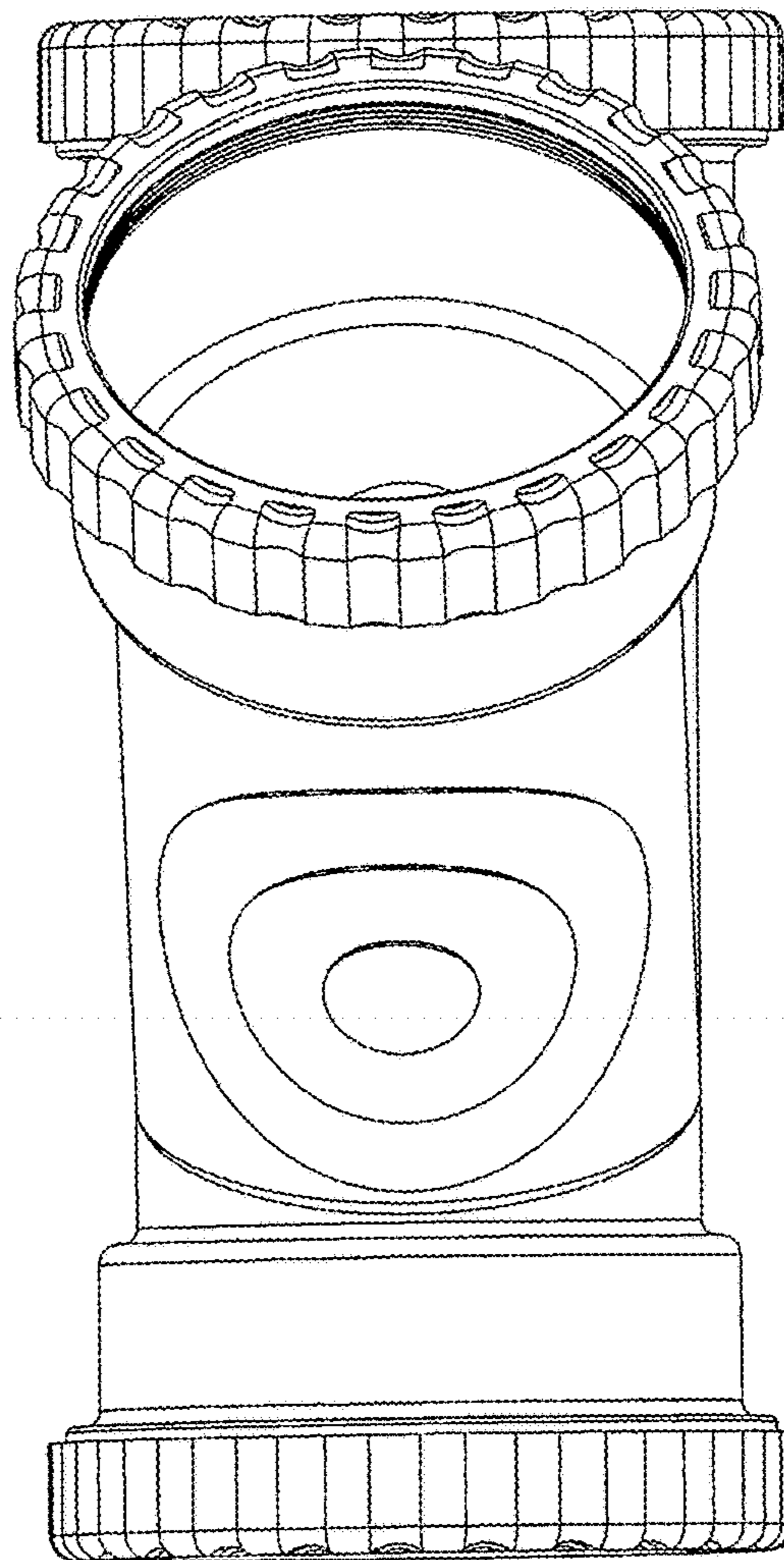




FIG. 4

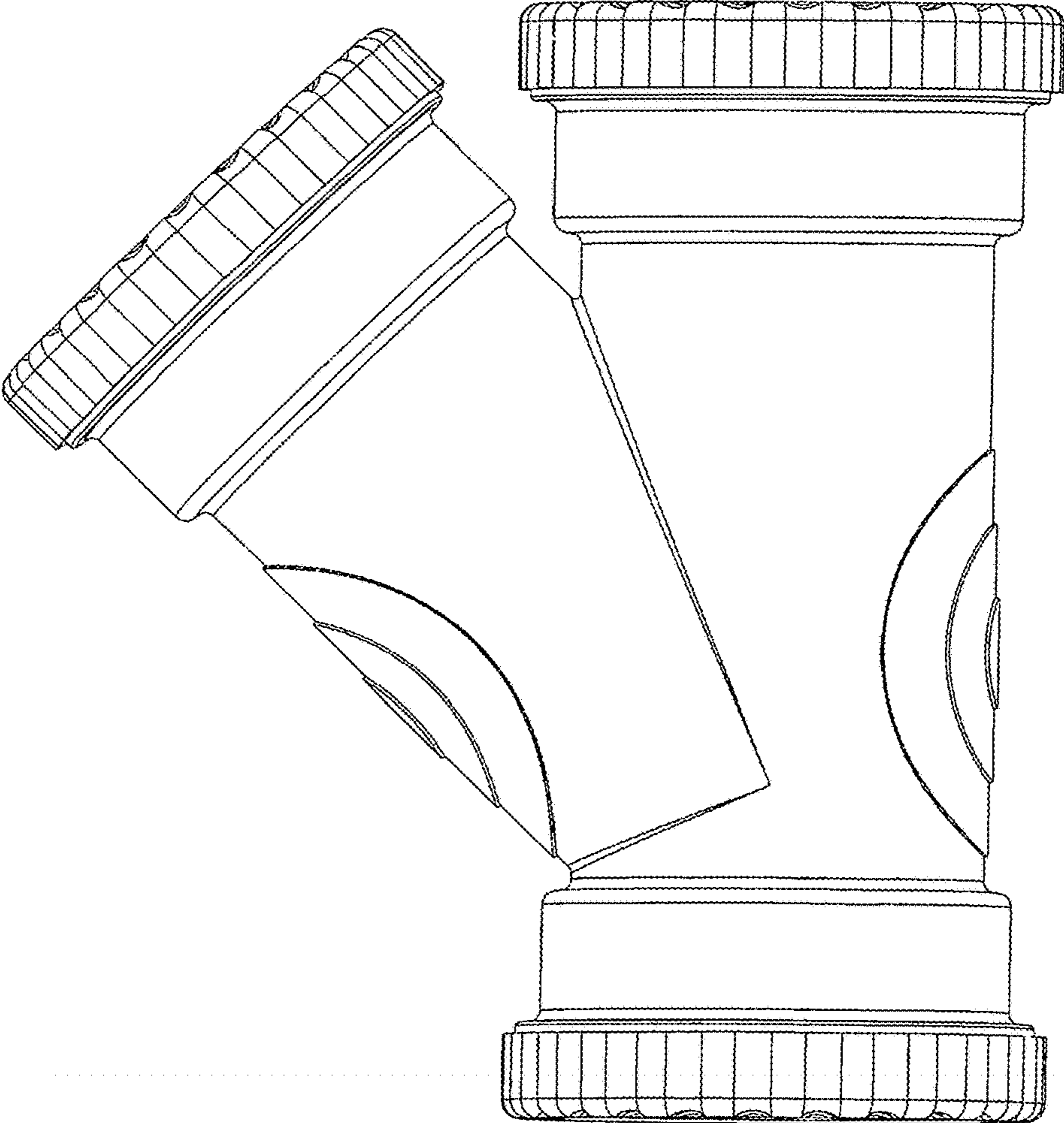


FIG. 5

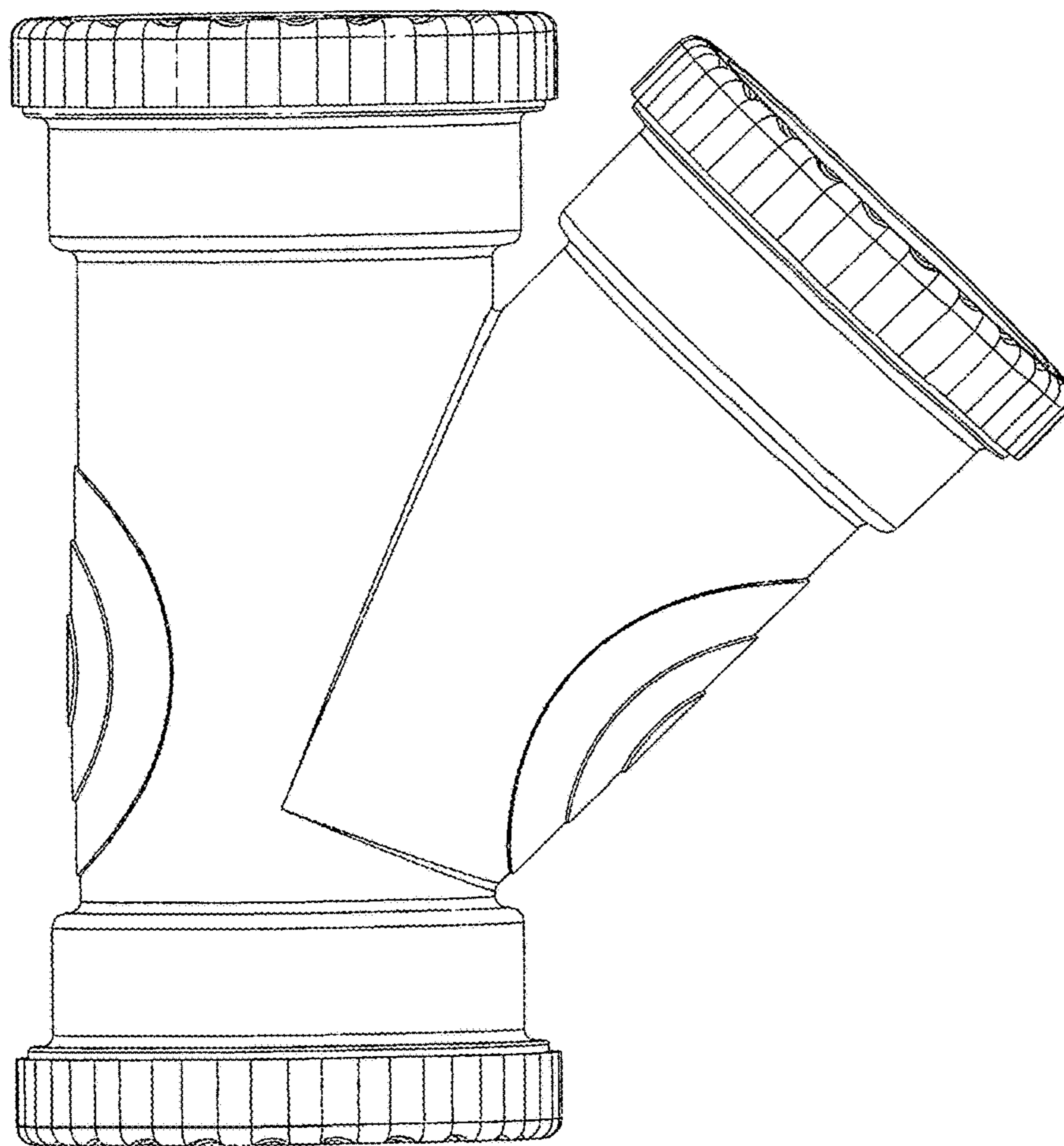


FIG. 6

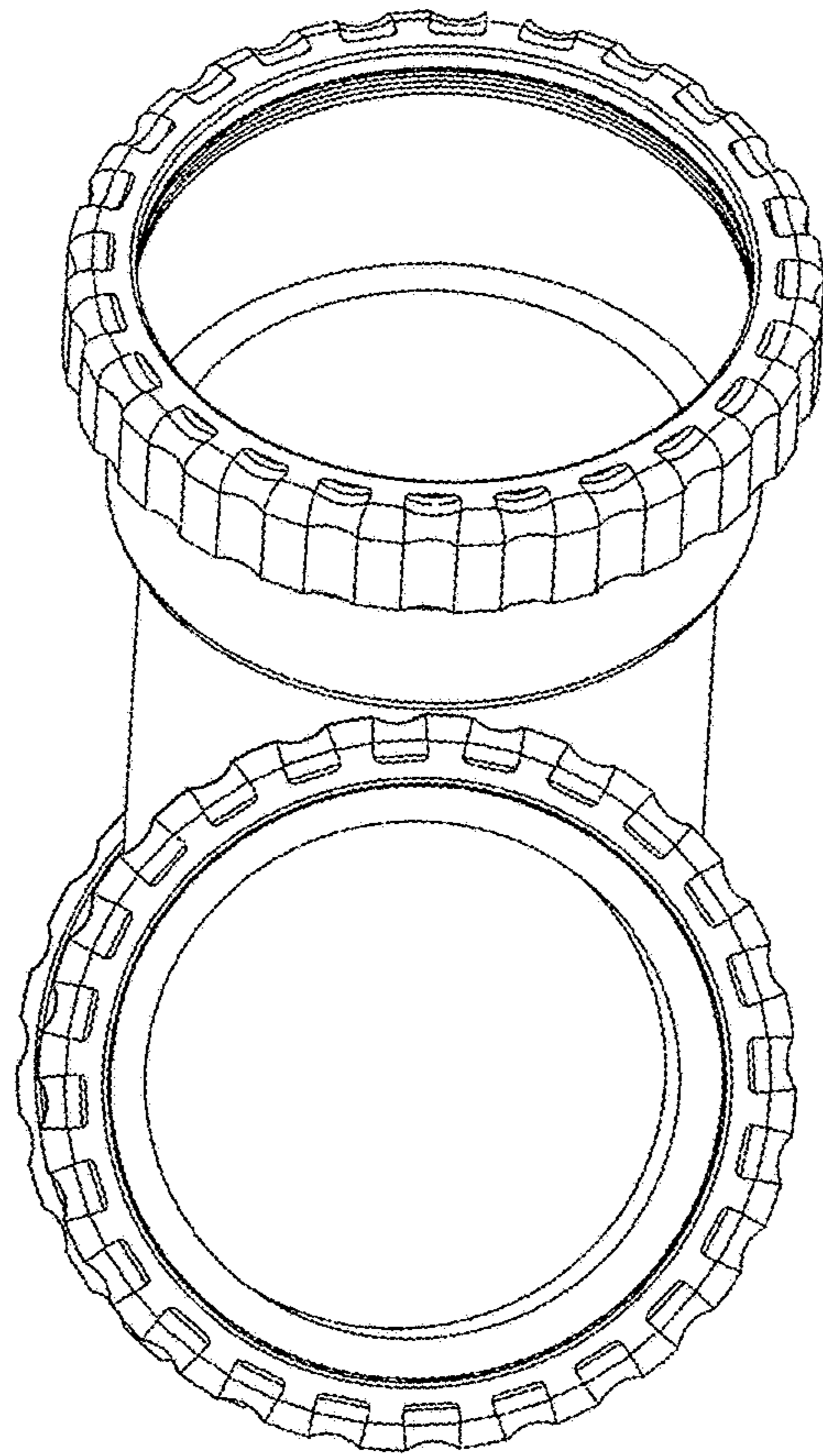


FIG. 7

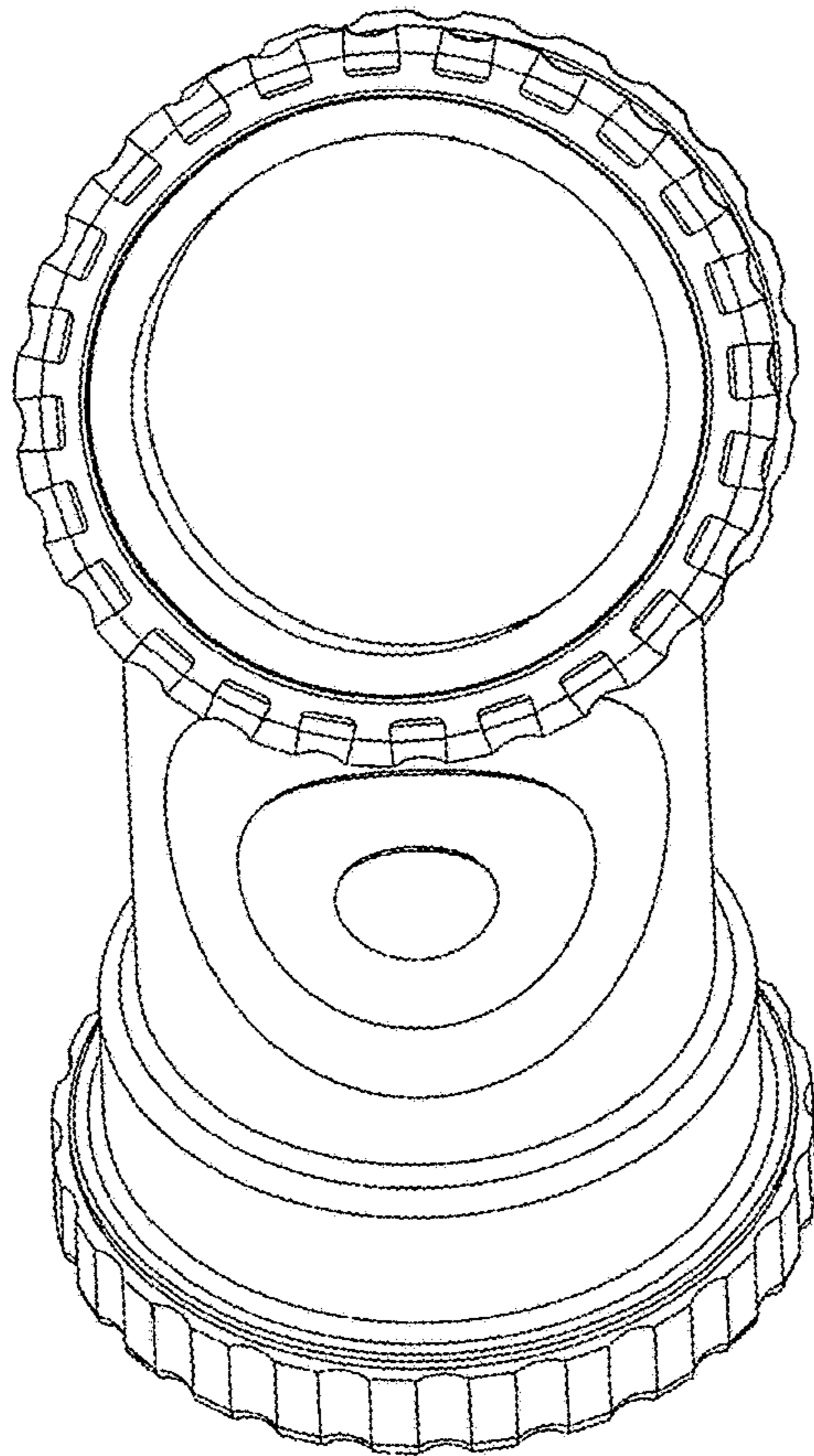




FIG. 8

