



US00D861835S

(12) **United States Design Patent**  
**Ball et al.**

(10) **Patent No.:** **US D861,835 S**  
(45) **Date of Patent:** **\*\* Oct. 1, 2019**

- (54) **HYDRANT ENCLOSURE**
- (71) Applicant: **WCM Industries, Inc.**, Colorado Springs, CO (US)
- (72) Inventors: **William T. Ball**, Colorado Springs, CO (US); **Eric Pilarczyk**, Colorado Springs, CO (US)
- (73) Assignee: **WCM INDUSTRIES, INC.**, Colorado Springs, CO (US)
- (\*\*) Term: **15 Years**
- (21) Appl. No.: **29/604,240**
- (22) Filed: **May 16, 2017**

- D216,791 S 3/1970 Woodford
  - D228,554 S 10/1973 Magorien
  - 3,952,770 A 4/1976 Botnick
  - D245,255 S 8/1977 Porter
  - 4,178,956 A 12/1979 Fillman
  - D275,616 S 9/1984 Gray
- (Continued)

**OTHER PUBLICATIONS**

U.S. Appl. No. 29/569,524, Notice of Allowance dated May 22, 2018, 5 pages.

(Continued)

*Primary Examiner* — Eric L Goodman  
*Assistant Examiner* — Amy C Wierenga

**Related U.S. Application Data**

- (63) Continuation of application No. 15/416,179, filed on Jan. 26, 2017, which is a continuation of application No. 14/710,350, filed on May 12, 2015, now Pat. No. 9,580,891, which is a continuation-in-part of application No. 14/317,627, filed on Jun. 27, 2014, now Pat. No. 9,533,180.

- (51) **LOC (12) Cl.** ..... **23-01**
- (52) **U.S. Cl.**  
USPC ..... **D23/259**

- (58) **Field of Classification Search**  
USPC ..... D23/233–237, 259, 265–266; D13/152; 137/272, 296, 377, 382; 251/10–11, 148, 251/149, 153, 123.2, 124.1, 154.1, 284.1  
CPC . E03D 11/16; E03B 9/02; E03B 9/025; F16K 27/12; F16K 27/067; F16K 35/10; F16K 1/00; F16L 27/04; F16L 39/00; F16L 33/005; F16L 23/18; E21B 33/04  
See application file for complete search history.

(56) **References Cited**

**U.S. PATENT DOCUMENTS**

- D180,010 S 4/1957 Britton
- 3,250,915 A 5/1966 Schmitt

(57) **CLAIM**

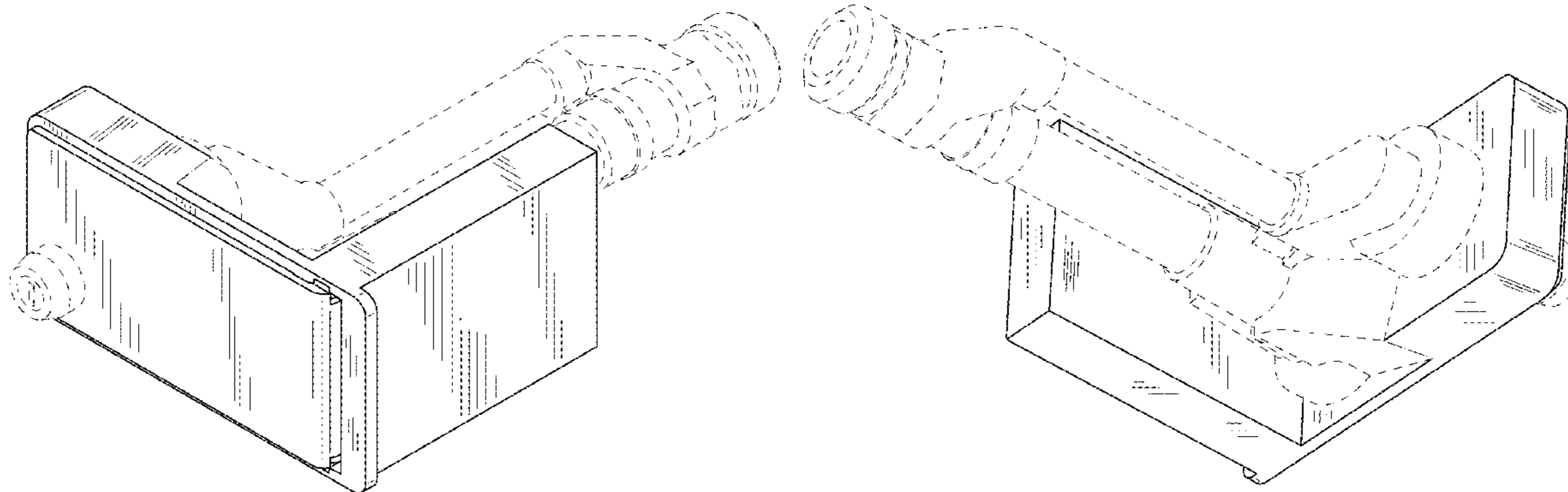
The ornamental design for a hydrant enclosure, as shown and described.

**DESCRIPTION**

FIG. 1 is a front perspective view of the hydrant enclosure showing the new design;  
 FIG. 2 is a rear perspective view thereof;  
 FIG. 3 is a front elevation view thereof;  
 FIG. 4 is a rear elevation view thereof;  
 FIG. 5 is a right elevation view thereof;  
 FIG. 6 is a left elevation view thereof;  
 FIG. 7 is a top plan view thereof;  
 FIG. 8 is a bottom plan view thereof  
 FIG. 9 is a front perspective view showing a door in a second, open position of use;  
 FIG. 10 is a rear perspective view thereof; and,  
 FIG. 11 is a top plan view thereof.

The dashed broken lines in the drawings depict portions of the hydrant enclosure that form no part of the claim. The dash-dot broken lines define the boundaries of the claim that form no part of the claim.

**1 Claim, 10 Drawing Sheets**



(56)

References Cited

U.S. PATENT DOCUMENTS

D283,204 S 4/1986 McDonald  
 D285,824 S 9/1986 Anderson  
 D311,767 S 10/1990 Beall  
 D312,122 S 11/1990 Veillette  
 D313,920 S \* 1/1991 Rudick ..... D7/308  
 D318,718 S 7/1991 Blatt  
 D382,941 S 8/1997 Nortier  
 5,964,246 A 10/1999 Meeker  
 6,062,254 A 5/2000 Brady et al.  
 D456,877 S 5/2002 Wilder et al.  
 D470,915 S \* 2/2003 Ball ..... D23/234  
 D482,431 S 11/2003 Ball  
 6,752,167 B1 6/2004 Stanaland et al.  
 6,948,512 B2 9/2005 McKeague  
 D578,209 S 10/2008 Schurg et al.  
 7,543,602 B2 \* 6/2009 Ball ..... E03B 7/10  
 137/359  
 D606,162 S 12/2009 McAvey et al.  
 D609,782 S \* 2/2010 Whatley ..... D23/249  
 D612,465 S 3/2010 Salser et al.  
 D614,736 S 4/2010 Freiler  
 8,042,565 B2 10/2011 Ball et al.  
 D656,223 S 3/2012 Cronje et al.  
 8,210,198 B1 \* 7/2012 Majocka ..... F16L 3/26  
 137/360  
 8,353,309 B1 1/2013 Embry et al.  
 D675,714 S 2/2013 Nguyen  
 D676,527 S 2/2013 Xue et al.  
 D680,621 S 4/2013 Foster  
 D681,782 S 5/2013 Bohm et al.  
 D681,784 S 5/2013 Liljegren et al.  
 D685,906 S 7/2013 Dale et al.  
 D702,320 S 4/2014 Pifer  
 D708,303 S 7/2014 Gehrling  
 D711,510 S 8/2014 Halldorsson  
 D715,405 S 10/2014 McAlpine  
 D717,404 S 11/2014 Bailey et al.  
 D720,046 S 12/2014 Morodomi et al.  
 D721,787 S 1/2015 Yoshimura et al.  
 D721,788 S 1/2015 Pifer  
 D722,674 S 2/2015 Lipkens et al.  
 D722,676 S 2/2015 Gaertner  
 8,973,599 B2 3/2015 Stanaland  
 D728,748 S 5/2015 Gehrling  
 D729,352 S \* 5/2015 Ball ..... E03B 9/025  
 D23/259  
 D729,353 S 5/2015 Ball et al.  
 D733,844 S 7/2015 Ball et al.  
 D733,845 S \* 7/2015 Ball ..... D23/259  
 D737,942 S \* 9/2015 Ball ..... D23/259  
 D757,900 S 5/2016 Yakushijin et al.  
 D760,874 S \* 7/2016 Ball ..... D23/259  
 D762,824 S \* 8/2016 Ball ..... D23/259  
 D764,026 S 8/2016 Mills et al.  
 D766,401 S 9/2016 Zhu et al.  
 D768,829 S \* 10/2016 Ball ..... D23/259  
 9,533,180 B2 1/2017 Ball et al.  
 9,580,891 B2 \* 2/2017 Ball ..... E03B 9/10  
 D788,887 S \* 6/2017 Ball ..... D23/259  
 D818,565 S 5/2018 Ball  
 D827,785 S \* 9/2018 Ball ..... D23/259  
 D829,868 S \* 10/2018 Ball ..... D23/259  
 D841,131 S 2/2019 Ball  
 D841,132 S 2/2019 Ball  
 2004/0000337 A1 1/2004 Cooper  
 2006/0086921 A1 4/2006 Ball  
 2006/0201553 A1 \* 9/2006 Poskin ..... E03B 7/10  
 137/360  
 2007/0186889 A1 \* 8/2007 Schweiger ..... F01M 13/0416  
 123/90.38  
 2010/0024902 A1 2/2010 Polgati et al.  
 2011/0062834 A1 3/2011 Ball et al.  
 2011/0115215 A1 5/2011 Cronje et al.  
 2014/0202558 A1 7/2014 Chou et al.

2014/0305516 A1 \* 10/2014 Stanaland ..... E03B 9/027  
 137/300  
 2015/0000767 A1 \* 1/2015 Ball ..... E03B 9/025  
 137/382  
 2015/0240460 A1 \* 8/2015 Ball ..... E03B 9/10  
 137/296  
 2016/0258141 A1 \* 9/2016 Stanaland ..... E03B 9/025  
 2017/0138024 A1 5/2017 Ball et al.

OTHER PUBLICATIONS

U.S. Appl. No. 29/569,533, Notice of Allowance dated Apr. 11, 2018, 2 pages.  
 U.S. Appl. No. 29/569,527, Notice of Allowance dated May 17, 2018, 5 pages.  
 U.S. Appl. No. 29/569,524, Office Action dated Jan. 5, 2018, 8 pages.  
 U.S. Appl. No. 29/569,533, Notice of Allowance dated Feb. 1, 2018, 8 pages.  
 U.S. Appl. No. 29/569,527, Office Action dated Dec. 28, 2017, 8 pages.  
 U.S. Appl. No. 15/416,179, Office Action dated Mar. 9, 2018, 11 pages.  
 U.S. Appl. No. 14/317,627, filed Jun. 27, 2014, now U.S. Pat. No. 9,533,180.  
 U.S. Appl. No. 14/710,350, filed May 12, 2015 now U.S. Pat. No. 9,580,891.  
 U.S. Appl. No. 15/416,179, filed Jan. 26, 2017.  
 U.S. Appl. No. 29/503,651, filed Sep. 29, 2014 now U.S. Pat. No. D729,352.  
 U.S. Appl. No. 29/529,465, filed Jun. 8, 2015.  
 U.S. Appl. No. 29/570,362, filed Jul. 7, 2016 now U.S. Pat. No. D788,887.  
 U.S. Appl. No. 29/604,237, filed May 16, 2017.  
 U.S. Appl. No. 29/604,238, filed May 16, 2017.  
 U.S. Appl. No. 29/604,241, filed May 16, 2017.  
 U.S. Appl. No. 29/503,653, filed Sep. 29, 2014 now U.S. Pat. No. D729,353.  
 U.S. Appl. No. 29/514,306, filed Jan. 10, 2015 now U.S. Pat. No. D733,844.  
 U.S. Appl. No. 29/514,307, filed Jan. 10, 2015 now U.S. Pat. No. D733,845.  
 U.S. Appl. No. 29/514,308, filed Jan. 10, 2015 now U.S. Pat. No. D737,942.  
 U.S. Appl. No. 29/519,131, filed Mar. 2, 2015 now U.S. Pat. No. D760,874.  
 U.S. Appl. No. 29/569,533, filed Jun. 28, 2016.  
 U.S. Appl. No. 29/519,956, filed Mar. 9, 2015 now U.S. Pat. No. D762,824.  
 U.S. Appl. No. 29/569,524, filed Jun. 28, 2016.  
 U.S. Appl. No. 29/519,957, filed Mar. 9, 2015 now U.S. Pat. No. D768,829.  
 U.S. Appl. No. 29/569,527, filed Jun. 28, 2016.  
 U.S. Appl. No. 29/529,465, filed Jun. 8, 2015, Ball et al.  
 U.S. Appl. No. 29/569,533, filed Jun. 28, 2016, Ball et al.  
 U.S. Appl. No. 29/569,524, filed Jun. 28, 2016, Ball et al.  
 U.S. Appl. No. 29/569,527, filed Jun. 28, 2016, Ball et al.  
 U.S. Appl. No. 29/604,237, filed May 16, 2017, Ball et al.  
 U.S. Appl. No. 29/604,238, filed May 16, 2017, Ball et al.  
 U.S. Appl. No. 29/604,241, filed May 16, 2017, Ball et al.  
 Official Action for U.S. Appl. No. 14/317,627, dated Apr. 20, 2016, 11 pages.  
 Notice of Allowance for U.S. Appl. No. 14/317,627, dated Aug. 24, 2016 9 pages.  
 Official Action for U.S. Appl. No. 14/710,350, dated Apr. 20, 2016, 13 pages.  
 Official Action for U.S. Appl. No. 14/710,350, dated Aug. 26, 2016 9 pages.  
 Notice of Allowance for U.S. Appl. No. 14/710,350, dated Jan. 5, 2017 9 pages.  
 Notice of Allowance for U.S. Appl. No. 29/503,651, dated Mar. 3, 2015, 10 pages.



(56)

**References Cited**

OTHER PUBLICATIONS

Official Action for U.S. Appl. No. 29/529,465, dated Feb. 25, 2016, 9 pages.  
Final Action for U.S. Appl. No. 29/529,465, dated Jun. 6, 2016, 7 pages.  
Official Action for U.S. Appl. No. 29/570,362, dated Oct. 5, 2016 6 pages.  
Notice of Allowance for U.S. Appl. No. 29/570,362, dated Apr. 10, 2017 5 pages.  
Notice of Allowance for U.S. Appl. No. 29/503,653, dated Mar. 4, 2015, 10 pages.  
Official Action for U.S. Appl. No. 29/514,306, dated Mar. 4, 2015, 9 pages.  
Notice of Allowance for U.S. Appl. No. 29/514,306, dated Apr. 24, 2015 10 pages.  
Official Action for U.S. Appl. No. 29/514,307, dated Mar. 11, 2015, 7 pages.  
Notice of Allowance for U.S. Appl. No. 29/514,307, dated May 7, 2015 7 pages.  
Official Action for U.S. Appl. No. 29/514,308, dated Mar. 11, 2015, 7 pages.  
Notice of Allowance for U.S. Appl. No. 29/514,308, dated Jul. 7, 2015 7 pages.  
Official Action for U.S. Appl. No. 29/519,131, dated Jan. 22, 2016, 10 pages.  
Notice of Allowance for U.S. Appl. No. 29/519,131, dated Mar. 30, 2016, 5 pages.

Official Action for U.S. Appl. No. 29/519,956, dated Jan. 11, 2016, 9 pages.  
Notice of Allowance for U.S. Appl. No. 29/519,956, dated May 31, 2016, 5 pages.  
Official Action for U.S. Appl. No. 29/519,957, dated Jan. 11, 2016, 9 pages.  
Notice of Allowance for U.S. Appl. No. 29/519,957, dated Jun. 9, 2016, 5 pages.  
U.S. Appl. No. 29/569,524, Notice of Allowance dated Jul. 18, 2018, 2 pages.  
U.S. Appl. No. 15/416,179, Office Action dated Sep. 6, 2018, 11 pages.  
U.S. Appl. No. 15/416,179, Advisory Action dated Nov. 27, 2018, 3 pages.  
U.S. Appl. No. 29/569,527, Notice of Allowance dated Jul. 12, 2018, 2 pages.  
U.S. Appl. No. 29/604,237, Notice of Allowance dated Oct. 30, 2018, 10 pages.  
U.S. Appl. No. 29/604,238, Ex Parte Quayle Action dated Oct. 18, 2018, 7 pages.  
U.S. Appl. No. 29/604,241, Notice of Allowance dated Oct. 30, 2018, 9 pages.  
U.S. Appl. No. 29/604,238, Notice of Allowance dated Dec. 28, 2018, 5 pages.  
U.S. Appl. No. 15/416,179, Office Action dated Feb. 8, 2019, 12 pages.

\* cited by examiner

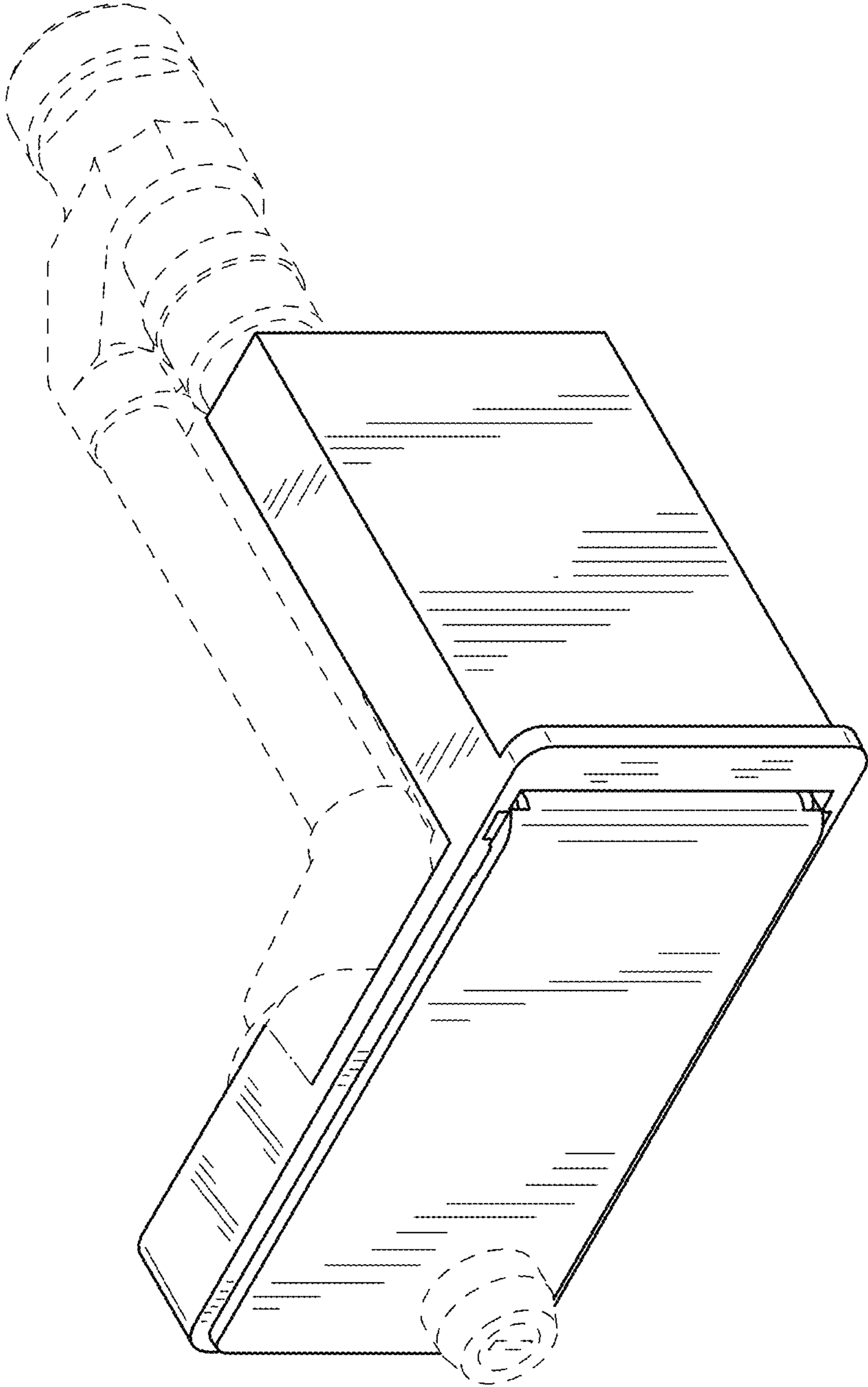


FIG.1

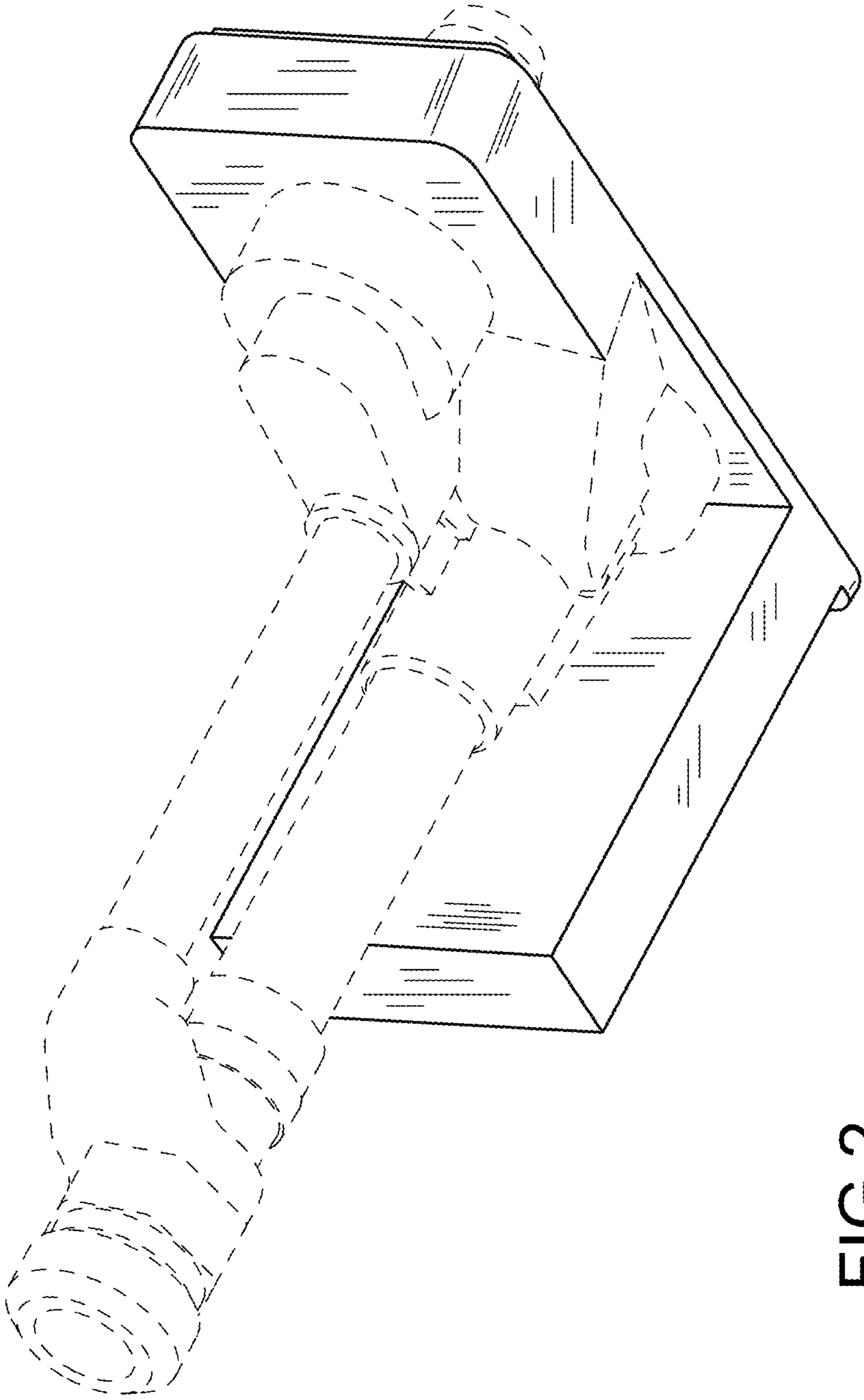


FIG.2

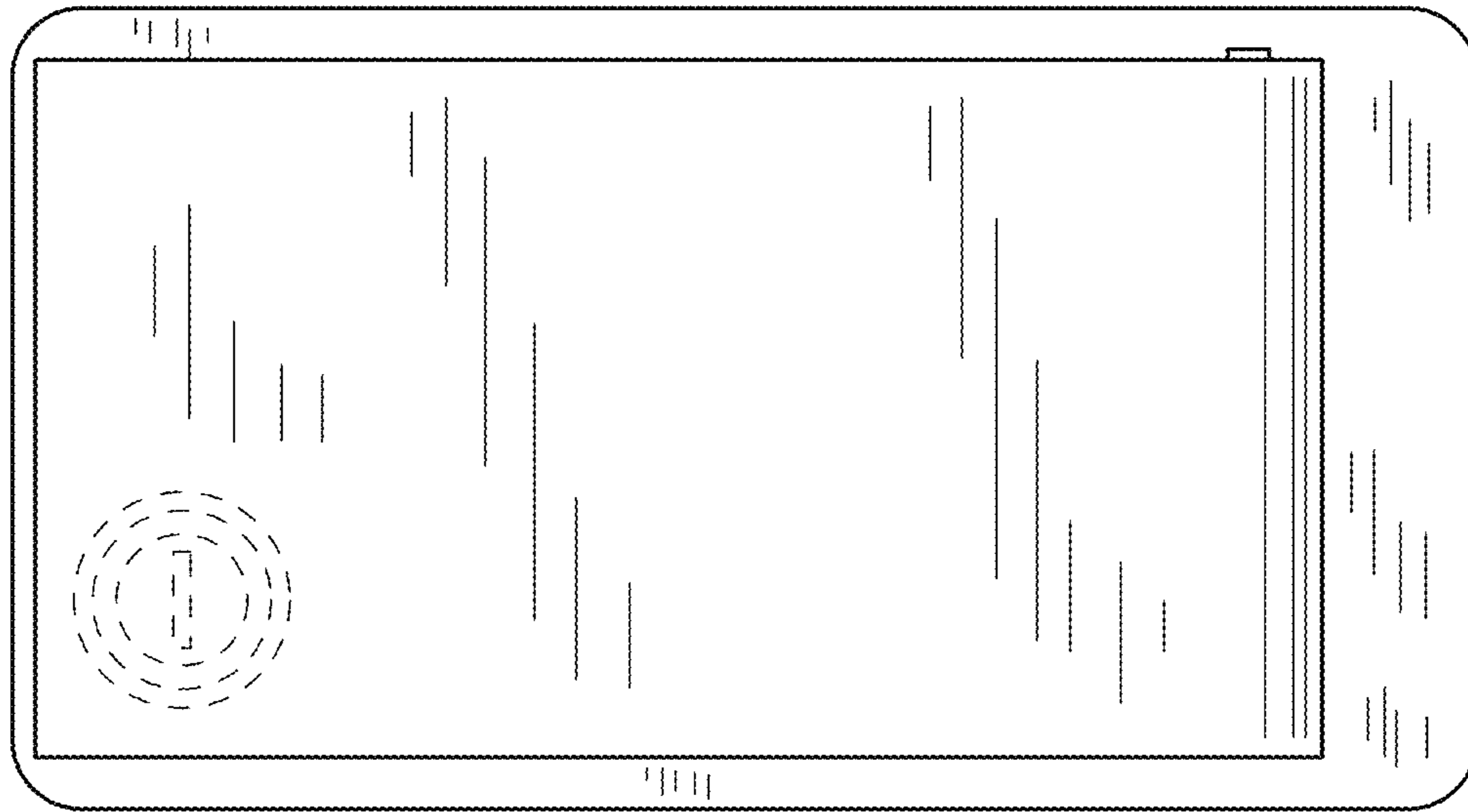


FIG.3

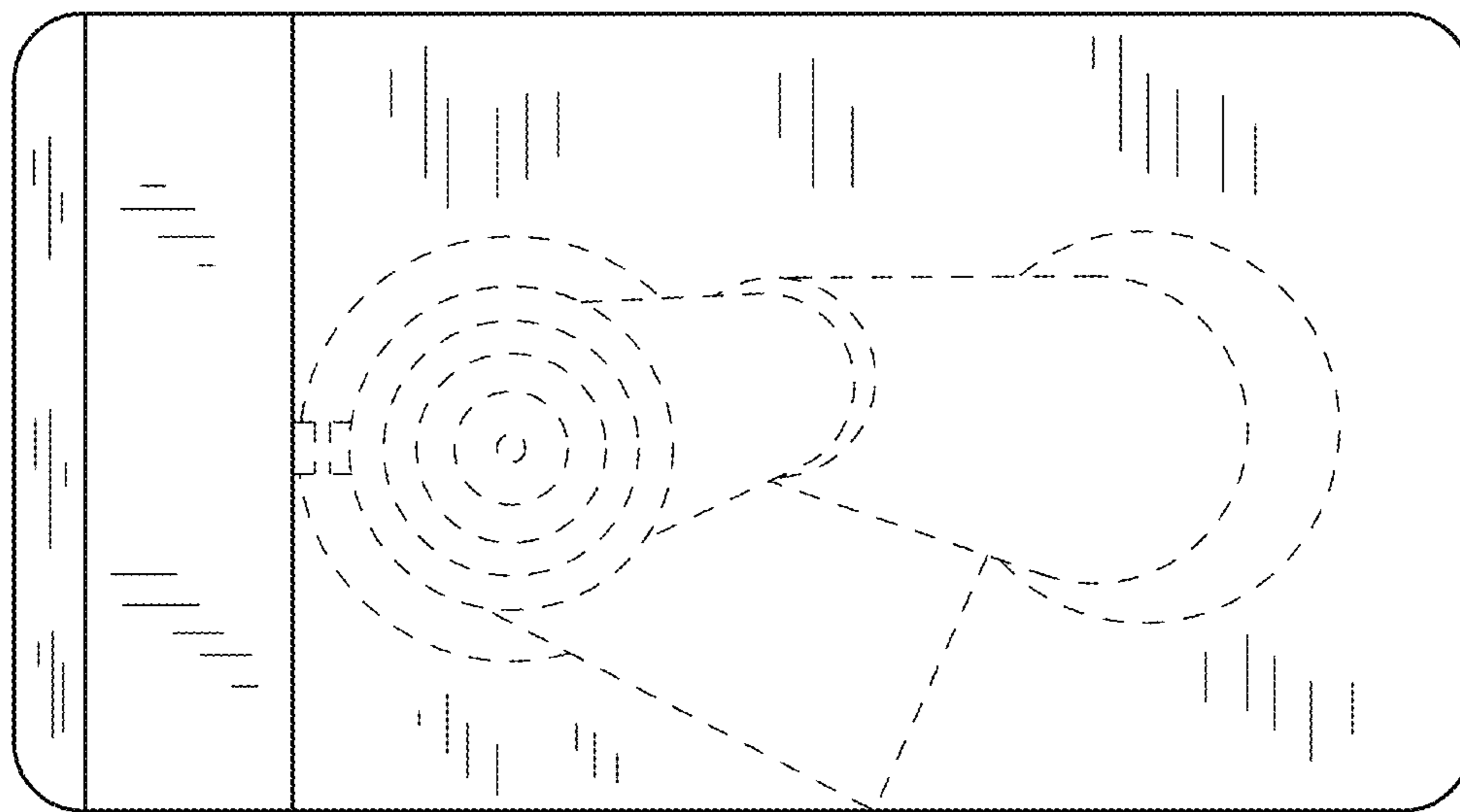


FIG.4

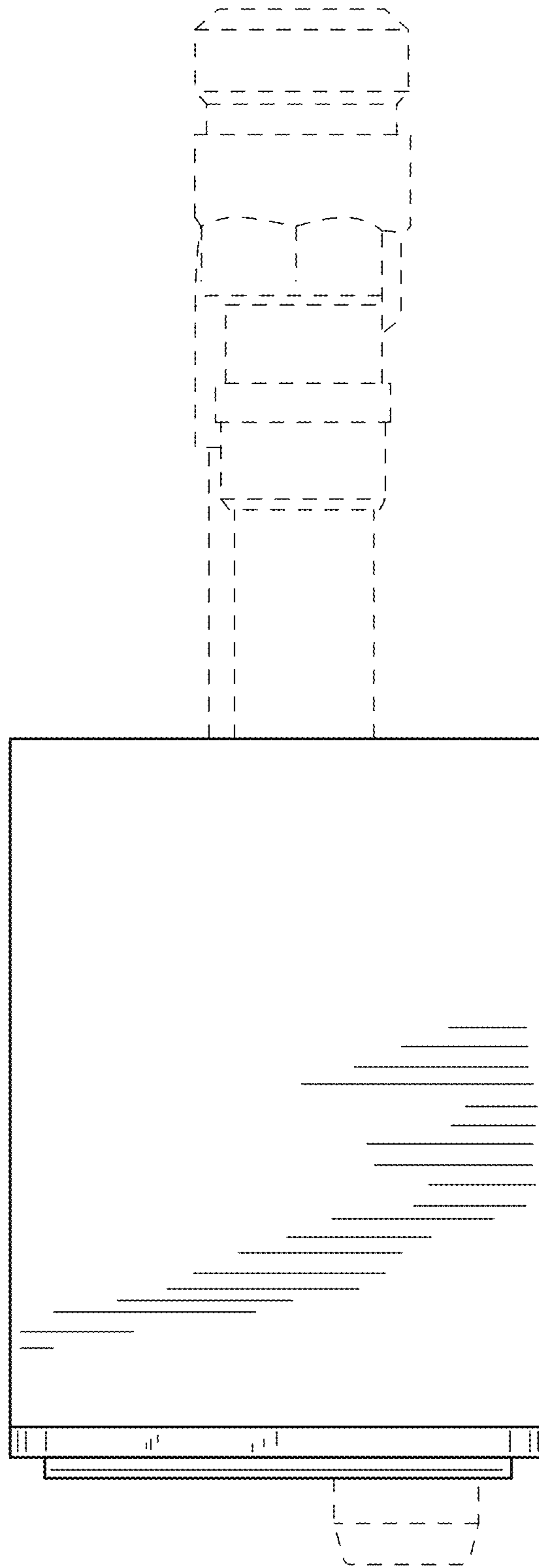


FIG.5

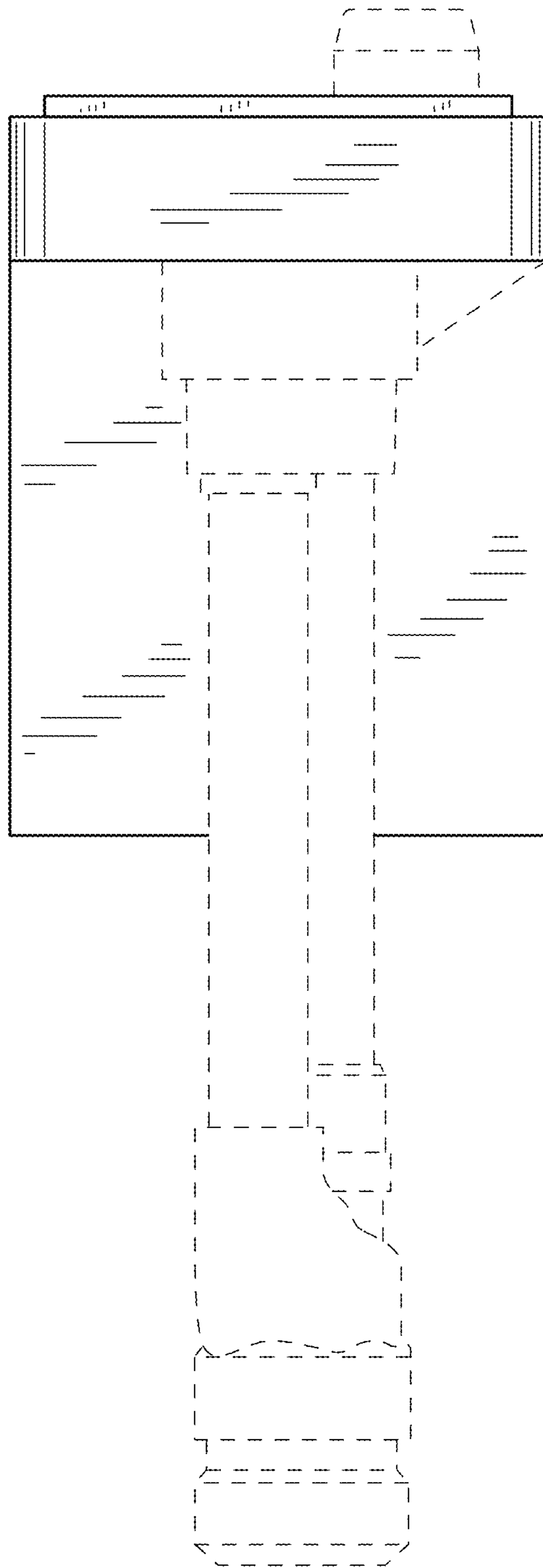


FIG.6



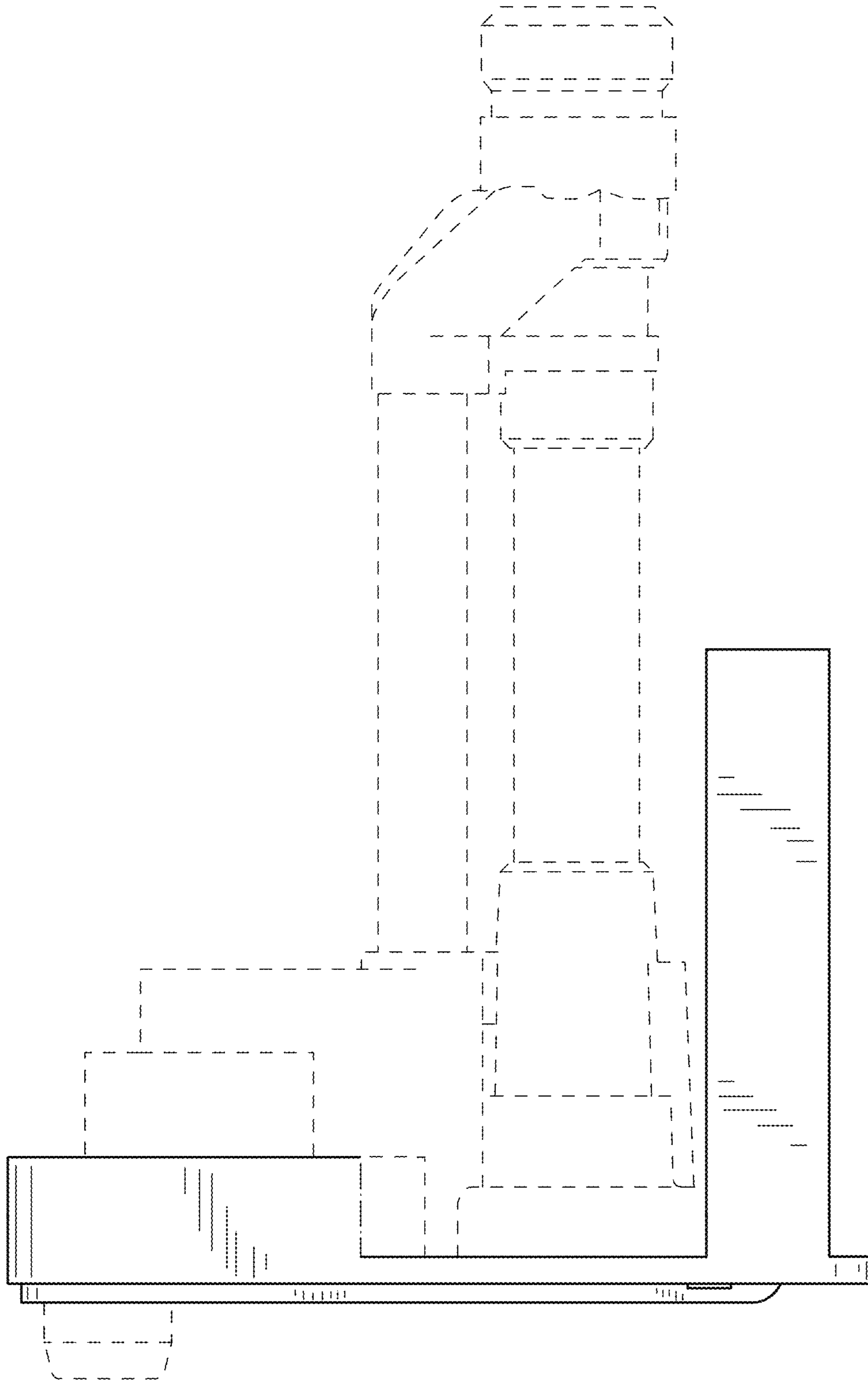


FIG.7

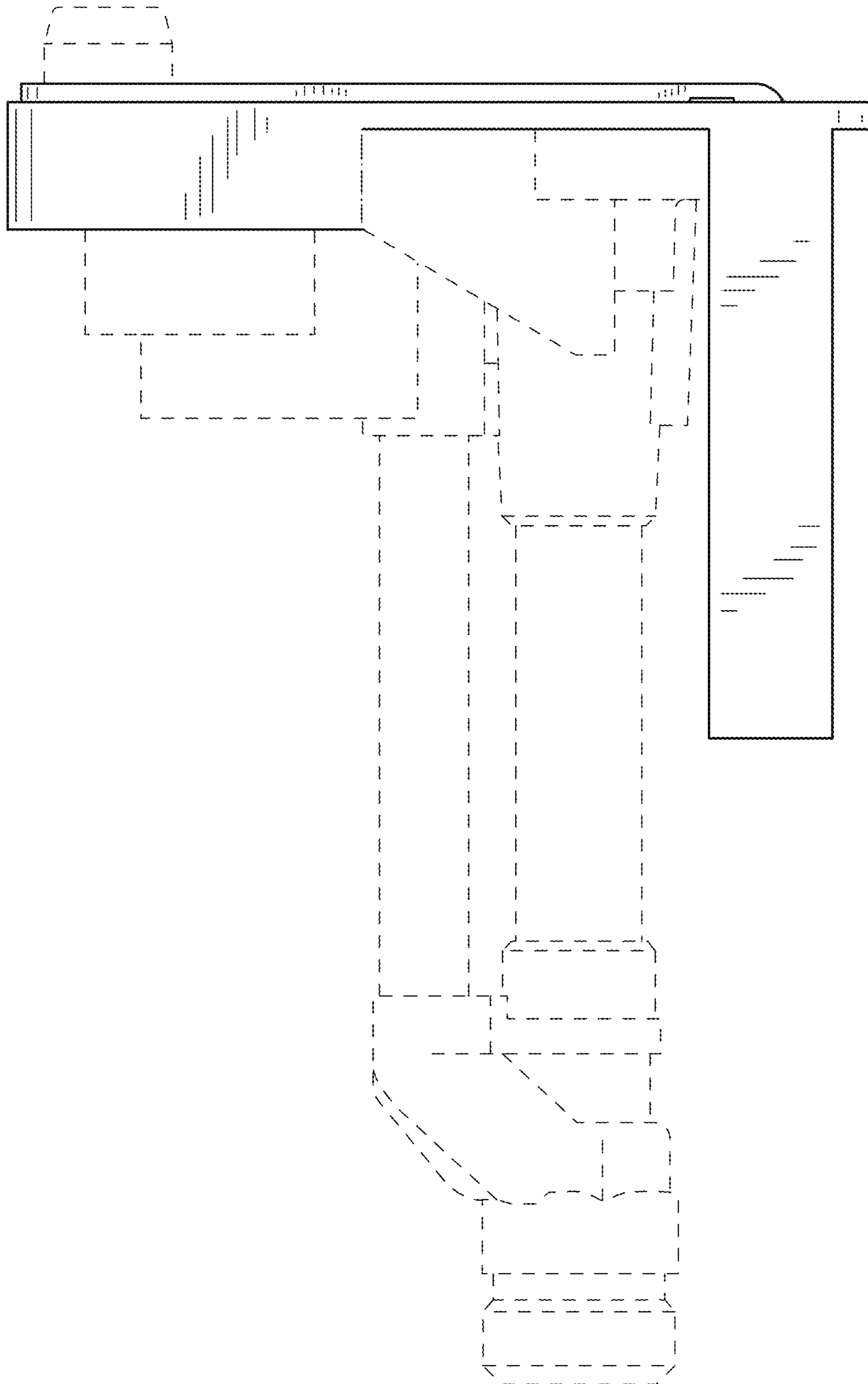


FIG.8

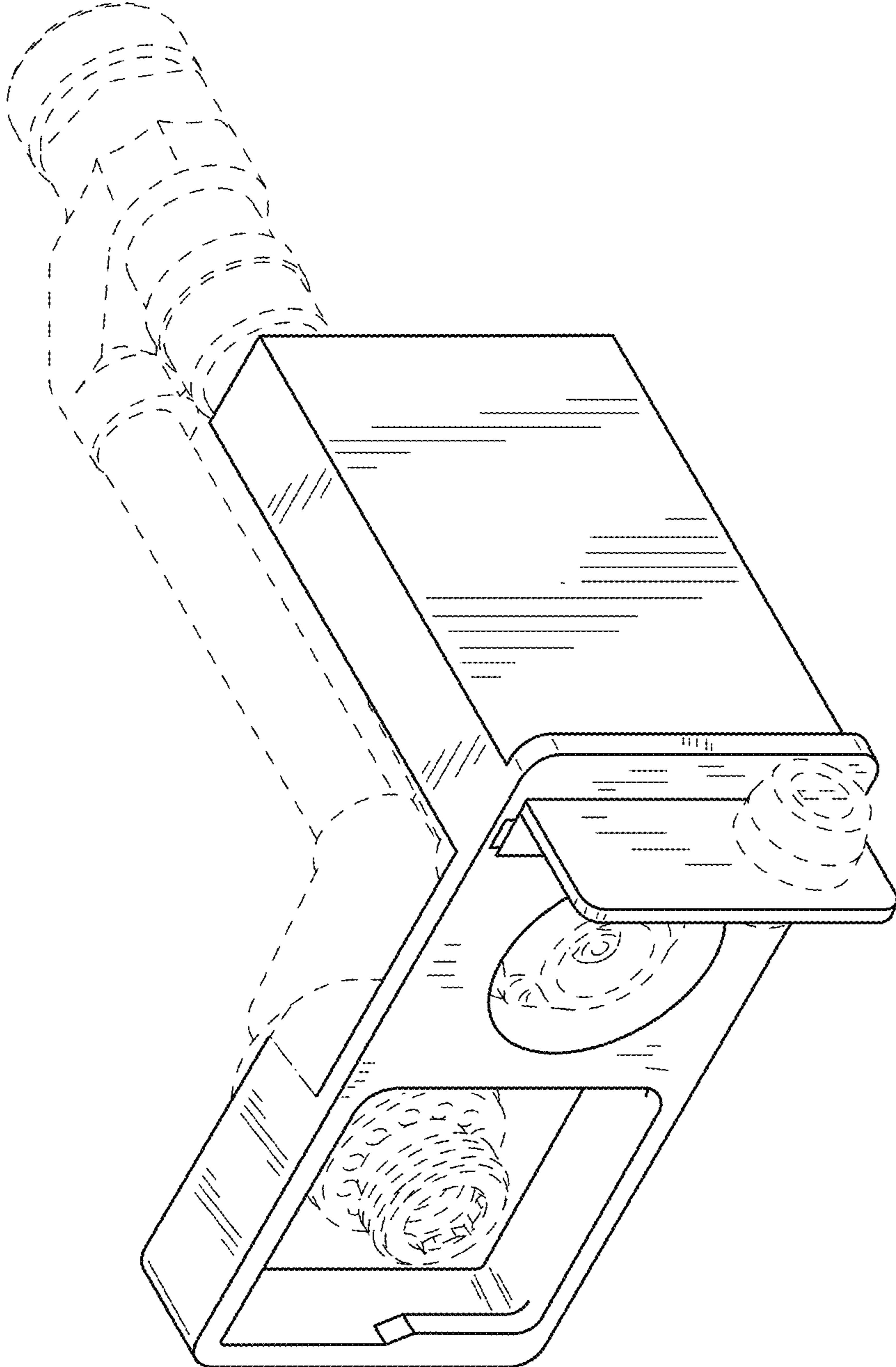


FIG.9

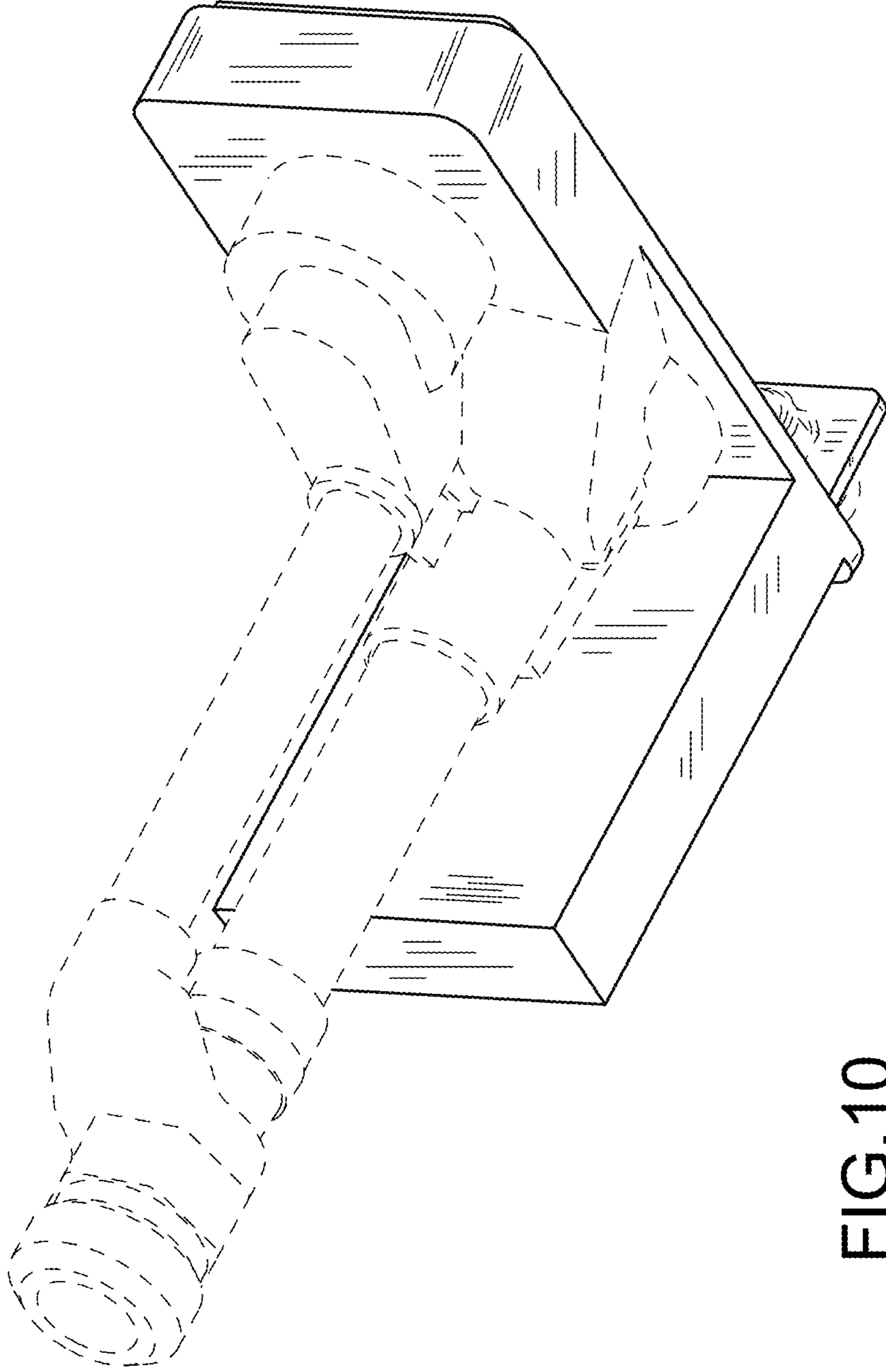


FIG. 10



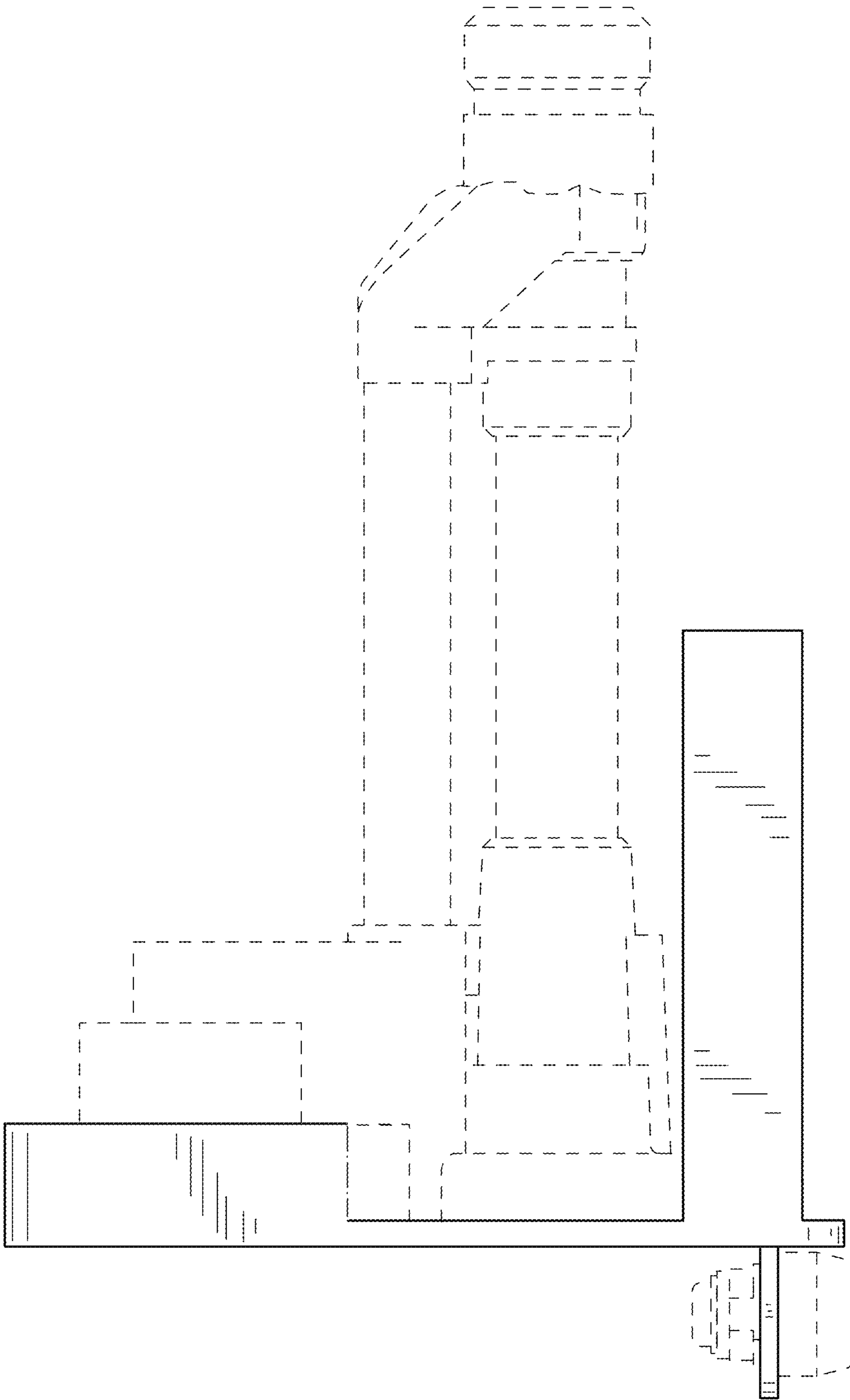


FIG.11