



US00D861831S

(12) **United States Design Patent**  
**Liao**

(10) **Patent No.:** **US D861,831 S**

(45) **Date of Patent:** **\*\* Oct. 1, 2019**

(54) **FAUCET**

D713,506 S \* 9/2014 Fritz ..... D23/238  
D760,354 S \* 6/2016 Citterio ..... D23/238  
D841,129 S \* 2/2019 Garland ..... D23/238

(71) Applicant: **DELTA FAUCET COMPANY,**  
Indianapolis, IN (US)

\* cited by examiner

(72) Inventor: **Song Qing Liao,** Guangdong (CN)

*Primary Examiner* — Robert A Delehanty

(73) Assignee: **DELTA FAUCET COMPANY,**  
Indianapolis, IN (US)

(74) *Attorney, Agent, or Firm* — Edgar A. Zarins; Nirav  
D. Parikh

(\*\*) Term: **15 Years**

(21) Appl. No.: **29/628,575**

(57) **CLAIM**

(22) Filed: **Dec. 6, 2017**

The ornamental design for a faucet, as shown and described.

(51) **LOC (12) Cl.** ..... **23-01**

(52) **U.S. Cl.**  
USPC ..... **D23/238**

(58) **Field of Classification Search**  
USPC ..... D23/238–243, 249, 255, 257, 250, 252,  
D23/254, 213, 223, 226; D8/307–308  
CPC ..... E03C 1/0412  
See application file for complete search history.

**DESCRIPTION**

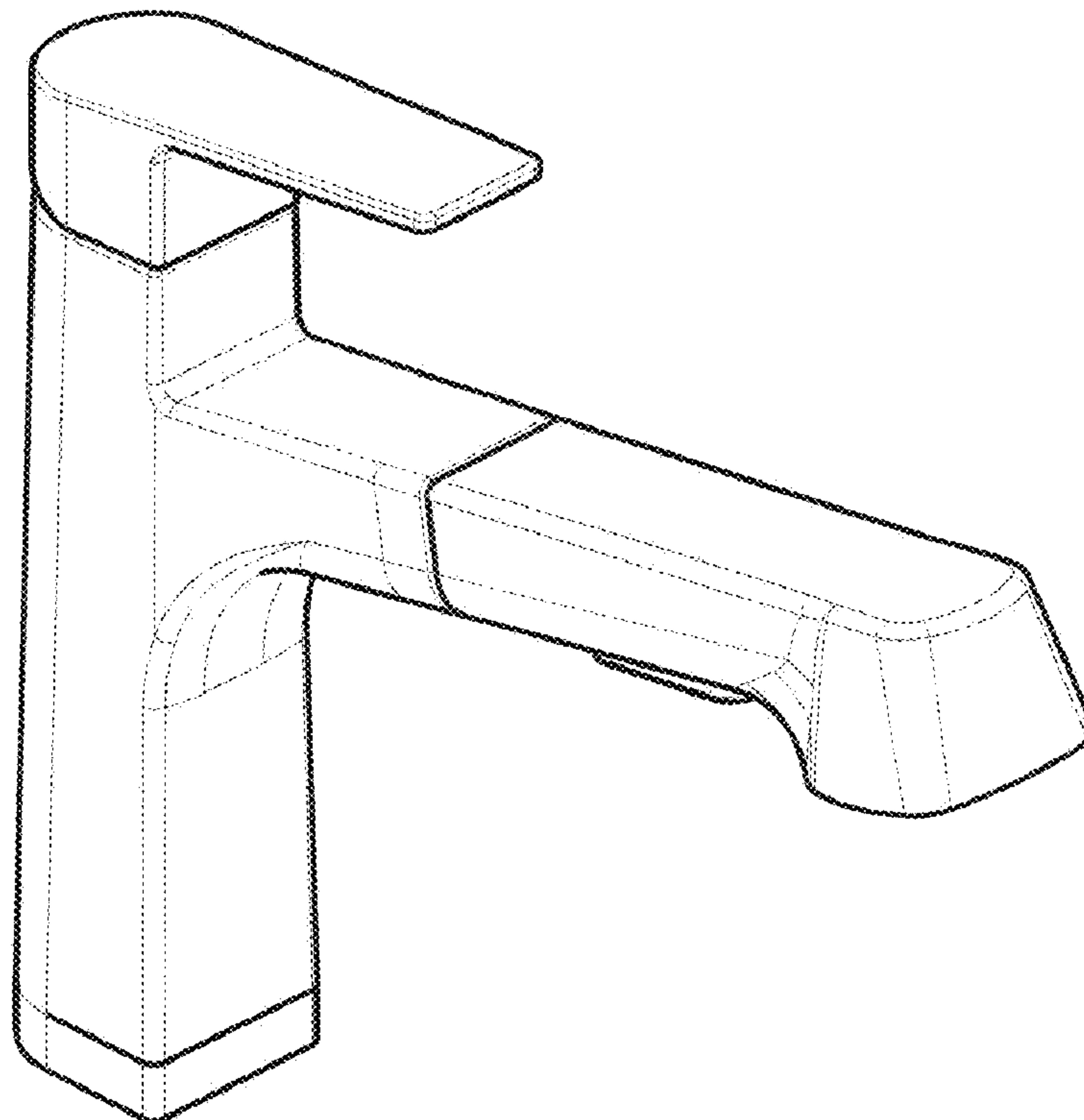
FIG. 1 is a perspective view of a faucet showing my new design;  
FIG. 2 is a left side view thereof;  
FIG. 3 is a front elevational view thereof;  
FIG. 4 is a right side view thereof;  
FIG. 5 is a top plan view thereof; and,  
FIG. 6 is a rear view thereof.

(56) **References Cited**

**U.S. PATENT DOCUMENTS**

D548,308 S \* 8/2007 Hoernig ..... D23/238  
D669,556 S \* 10/2012 Flowers ..... D23/238

**1 Claim, 3 Drawing Sheets**



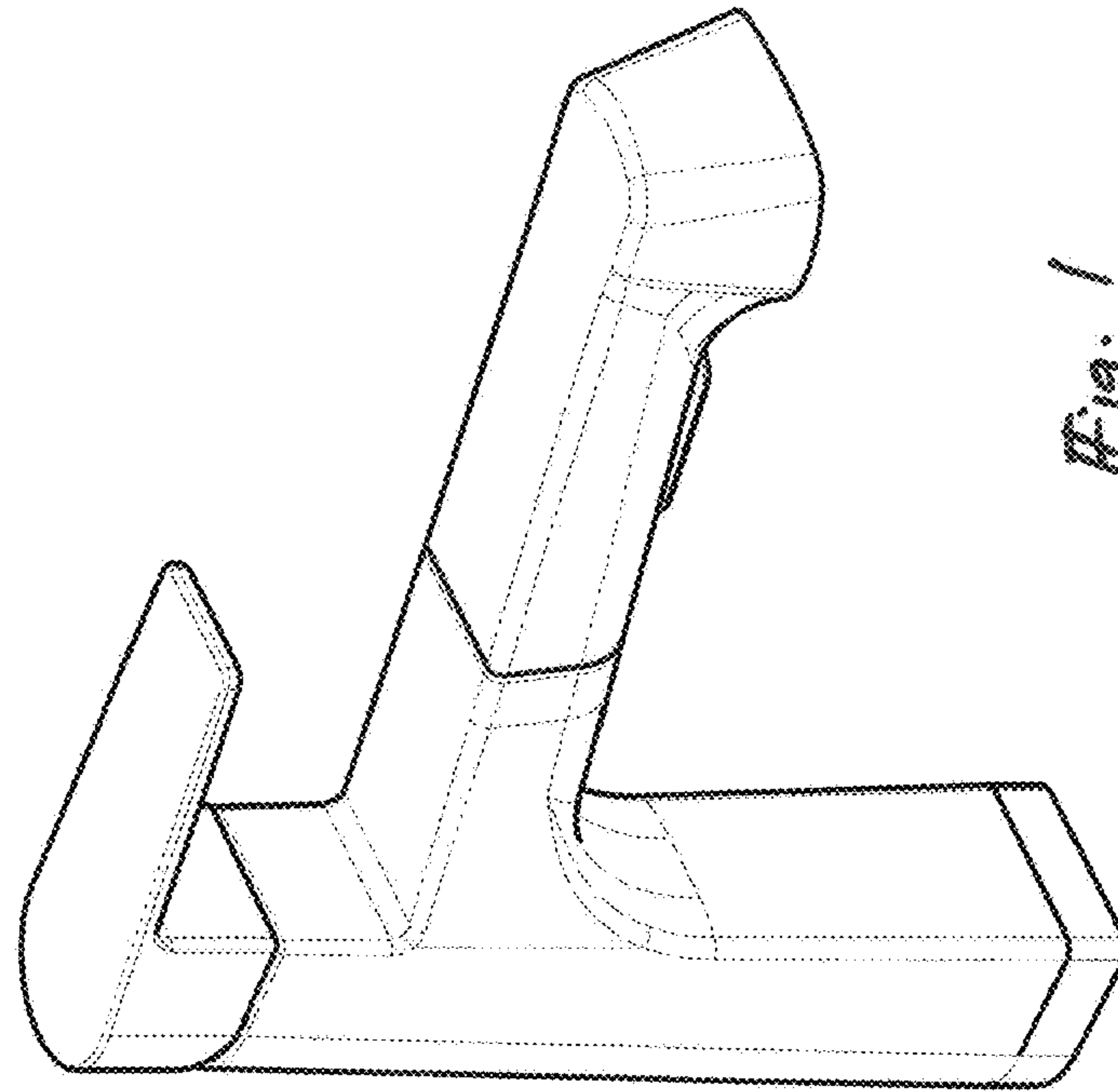


Fig. 1

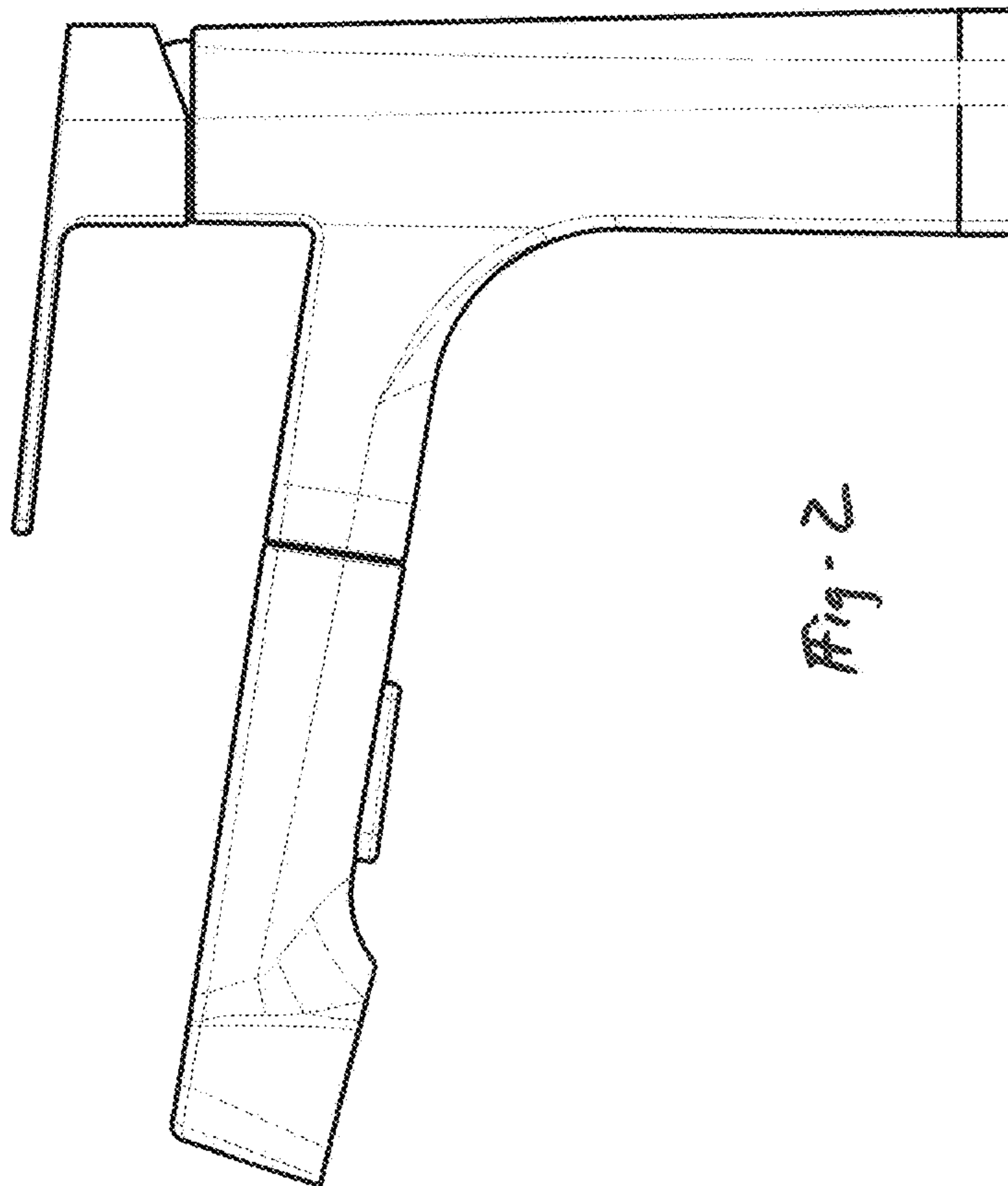


Fig. 2

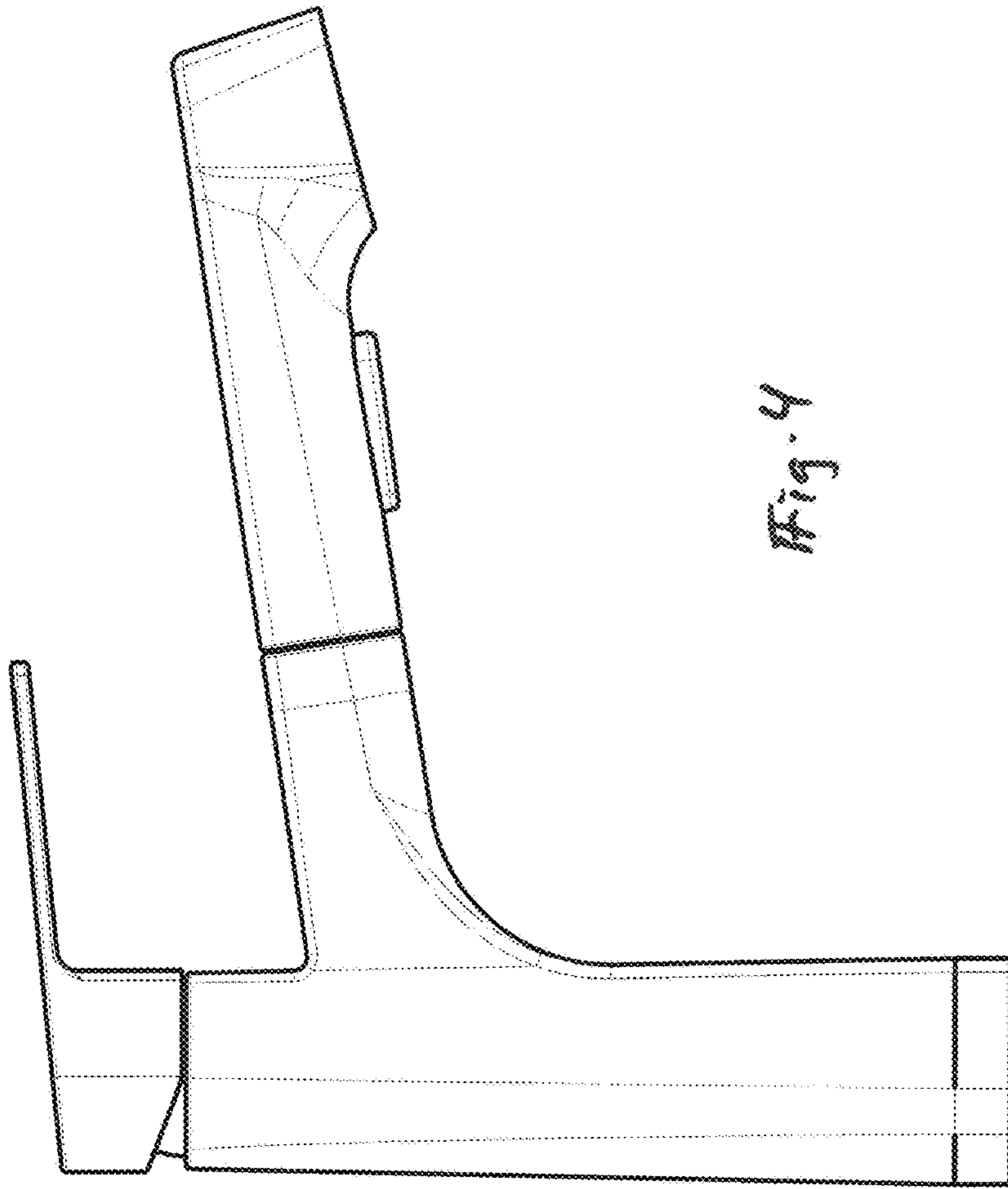


Fig. 4

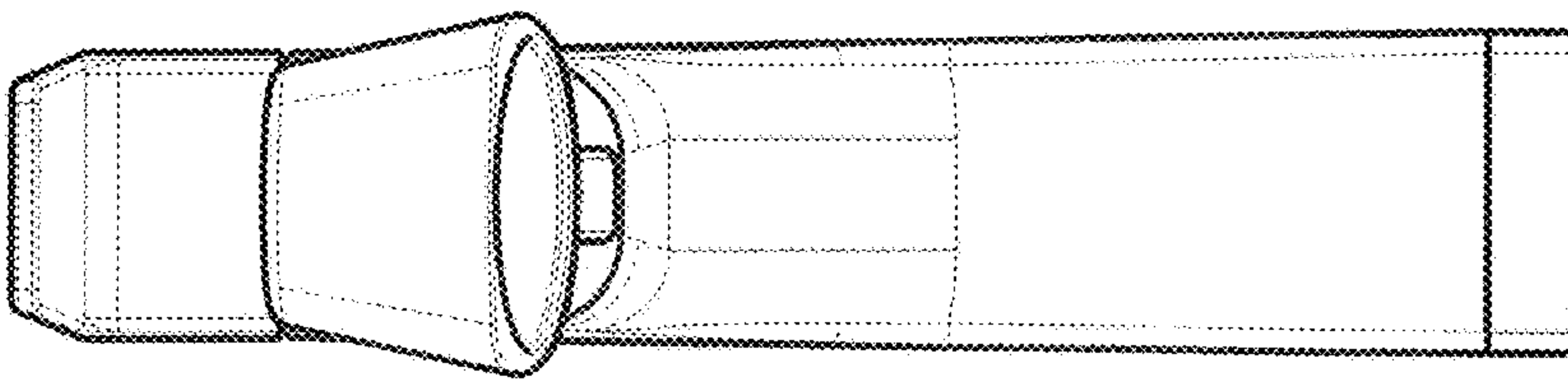
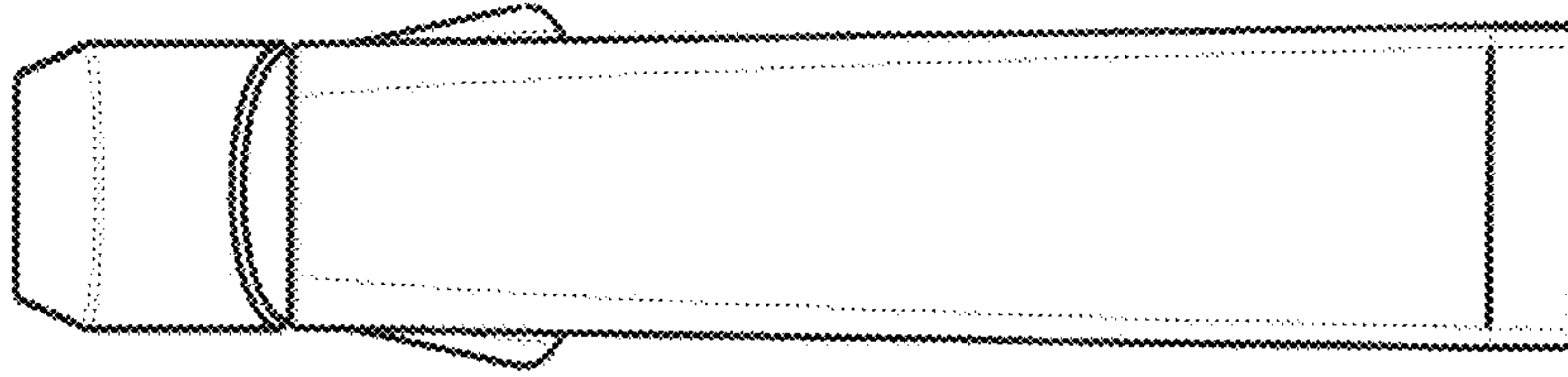
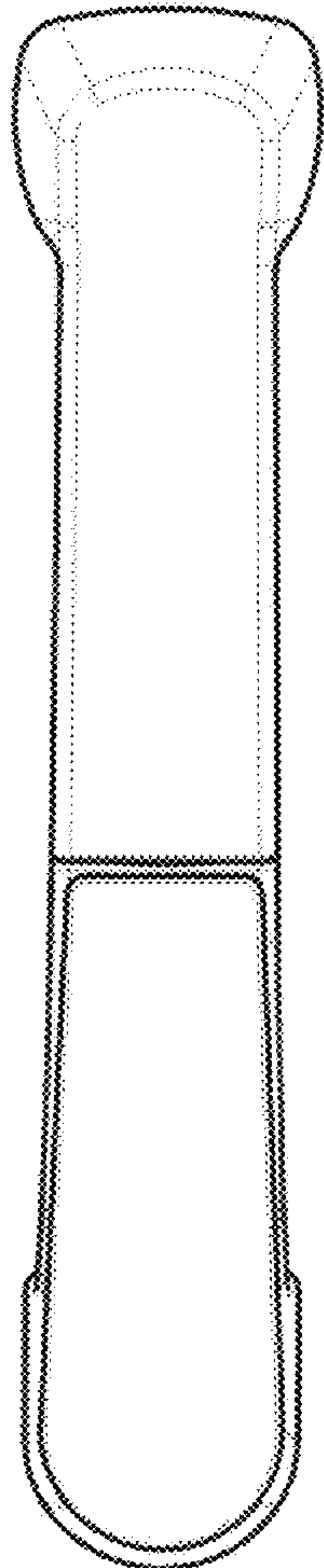


Fig. 3



*Fig. 6*



*Fig. 5*