



US00D861827S

(12) **United States Design Patent** (10) **Patent No.:** **US D861,827 S**
Furukawa (45) **Date of Patent:** **** Oct. 1, 2019**

(54) **SPINNING REEL** 6,769,639 B2 * 8/2004 Koelewyn A01K 89/009
242/246
(71) Applicant: **W.C. Bradley/Zebco Holdings, Inc.,** D497,969 S * 11/2004 Iwabuchi D22/141
Tulsa, OK (US) D505,991 S * 6/2005 Iwabuchi D22/141
6,966,516 B2 * 11/2005 Koelewyn A01K 89/009
242/284
(72) Inventor: **Shaw Laurence Furukawa, Tulsa, OK** D539,377 S * 3/2007 Kondo D22/141
(US) (Continued)

(73) Assignee: **W.C. Bradley/Zebco Holdings, Inc.,**
Tulsa, OK (US)

(**) Term: **15 Years**

(21) Appl. No.: **29/610,315**

(22) Filed: **Jul. 11, 2017**

(51) **LOC (12) Cl.** **22-05**

(52) **U.S. Cl.**
USPC **D22/141**

(58) **Field of Classification Search**
USPC D22/140, 141
CPC A01K 89/01; A01K 89/0108; A01K 89/00;
A01K 89/0111; A01K 89/0114; A01K
89/0117; A01K 89/015; A01K 89/006
See application file for complete search history.

(56) **References Cited**

U.S. PATENT DOCUMENTS

D316,443 S * 4/1991 Yoshikawa D22/141
D321,033 S 10/1991 Robbins et al.
D321,549 S 11/1991 Robbins et al.
D324,092 S 2/1992 Baugh et al.
D325,066 S 3/1992 Robbins et al.
D329,271 S * 9/1992 Shiozaki D22/141
D331,958 S * 12/1992 Robbins D22/141
D344,570 S * 2/1994 Robbins D22/141
D374,908 S 10/1996 Koelewyn
D400,640 S * 11/1998 Ohba D22/141
D414,237 S * 9/1999 Kang D22/141
D423,635 S * 4/2000 Robbins D22/141
D424,657 S * 5/2000 Kang D22/141
6,076,756 A 6/2000 Cockerham et al.
D443,019 S 5/2001 Kang et al.

OTHER PUBLICATIONS

“YouTube—Quantum Vapor Spinning Reel with Gerald Swindle ICAST 2017.” Found online Feb. 20, 2019 at www.youtube.com. Video published Jul. 13, 2017. Retrieved from URL: https://www.youtube.com/watch?v=6r3UfsJ-ohg (Year: 2017).*

(Continued)

Primary Examiner — Garth Rademaker
Assistant Examiner — Katelin G Kloberg
(74) *Attorney, Agent, or Firm* — James F. Lee, III; Gable
Gotwals

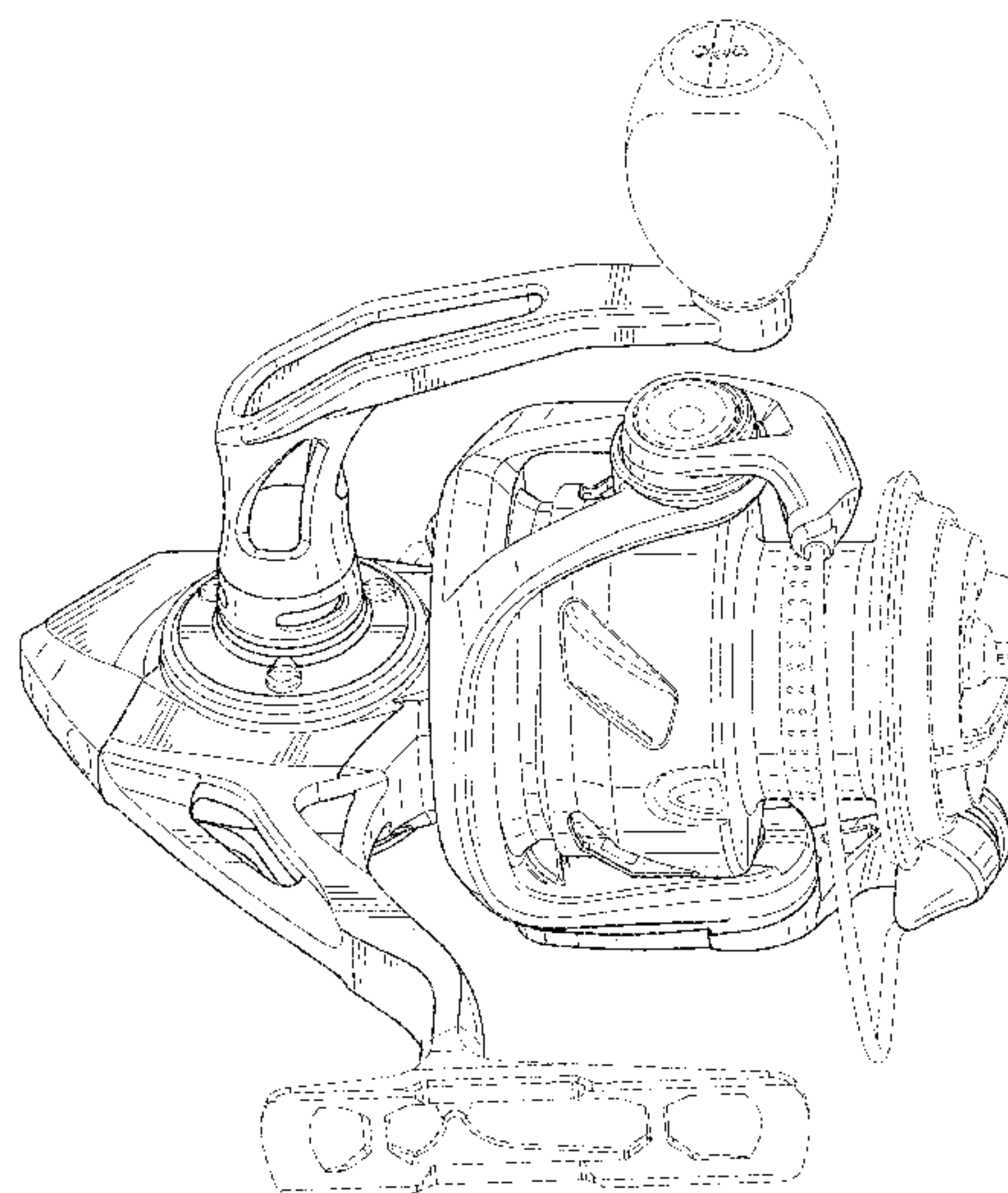
(57) **CLAIM**

The ornamental design for a spinning reel, as shown and described.

DESCRIPTION

FIG. 1 is a perspective view of a spinning reel, showing my design;
FIG. 2 is a front view thereof;
FIG. 3 is a rear view thereof;
FIG. 4 is a left side view thereof;
FIG. 5 is a right side view thereof;
FIG. 6 is a top plan view thereof; and,
FIG. 7 is a bottom plan view thereof.
The dash-dot-dash broken lines depict boundaries of the claim and form no part of the claimed design. The evenly-spaced broken lines depict portions of of a spinning reel that form no part of the claimed design.

1 Claim, 7 Drawing Sheets



(56)

References Cited

U.S. PATENT DOCUMENTS

D539,378 S * 3/2007 Kondo D22/141
7,222,809 B1 5/2007 Neufeld et al.
7,222,810 B1 5/2007 Littau et al.
D582,506 S * 12/2008 Koelewyn D22/141
7,681,821 B2 3/2010 Wilson et al.
D613,364 S * 4/2010 Koelewyn D22/141
D627,417 S * 11/2010 Nago D22/141
D654,554 S 2/2012 McCune et al.
D663,007 S * 7/2012 Koelewyn D22/141
D685,055 S * 6/2013 Deguchi D22/141
D716,413 S * 10/2014 Hosono D22/141
D723,655 S * 3/2015 Deguchi D22/141
9,258,987 B1 * 2/2016 Vigeant A01K 87/06
D767,085 S * 9/2016 Nago D22/141
D776,785 S * 1/2017 Nagai D22/141

OTHER PUBLICATIONS

“YouTube—Vapor PT spinning.” Found online Feb. 20, 2019 at www.youtube.com. Video published Mar. 7, 2018. Retrieved from URL: <https://www.youtube.com/watch?v=rmJzR4jvL-Q> (Year: 2018).*

“Vapor PT.” Found online Feb. 20, 2019 at www.quantumfishing.com. Page archived Oct. 5, 2017. Retrieved from URL: <https://web.archive.org/web/20171005072717/http://www.quantumfishing.com/reels/qtm-vapor.html> (Year: 2017).*

* cited by examiner

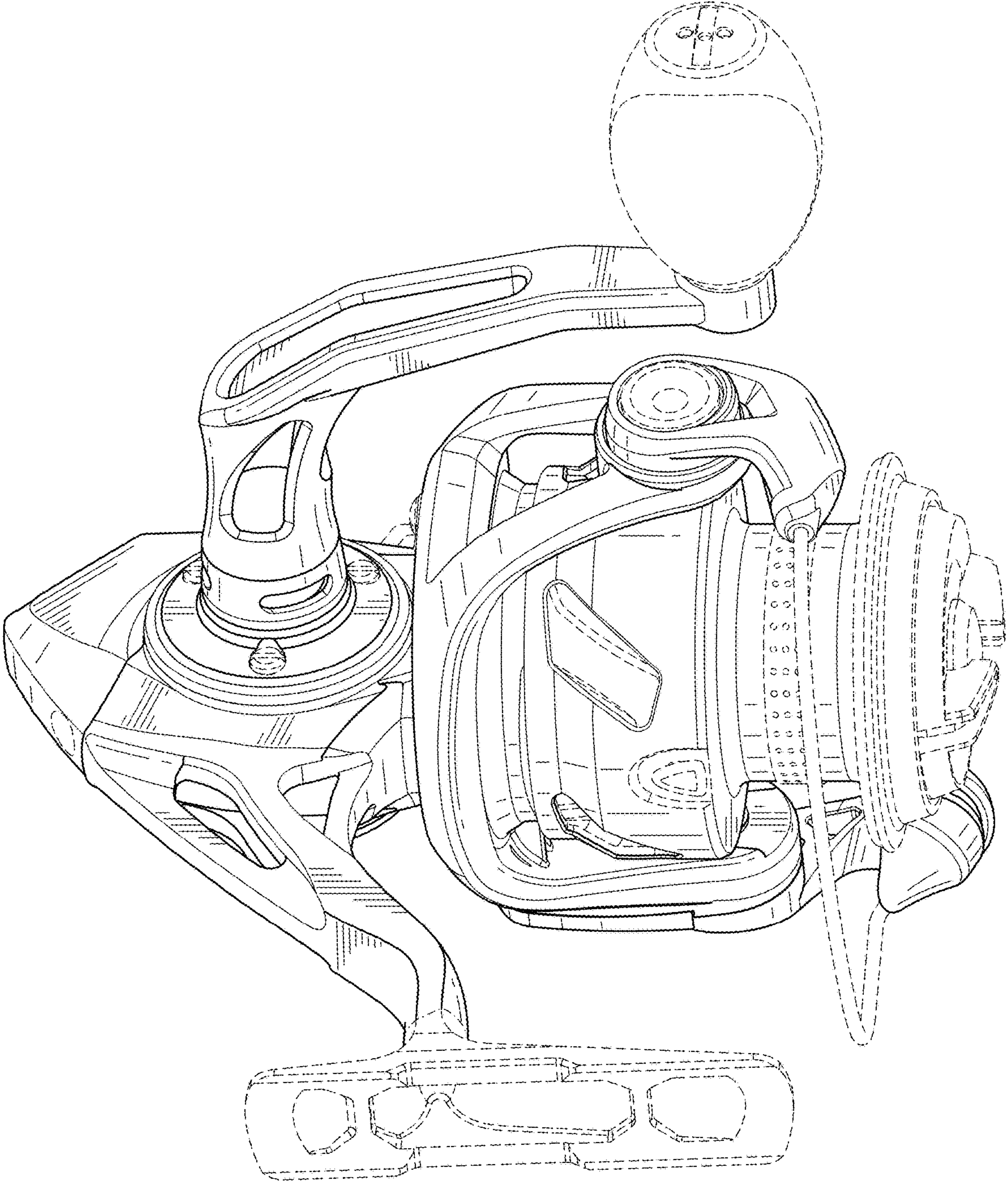


FIG. 1

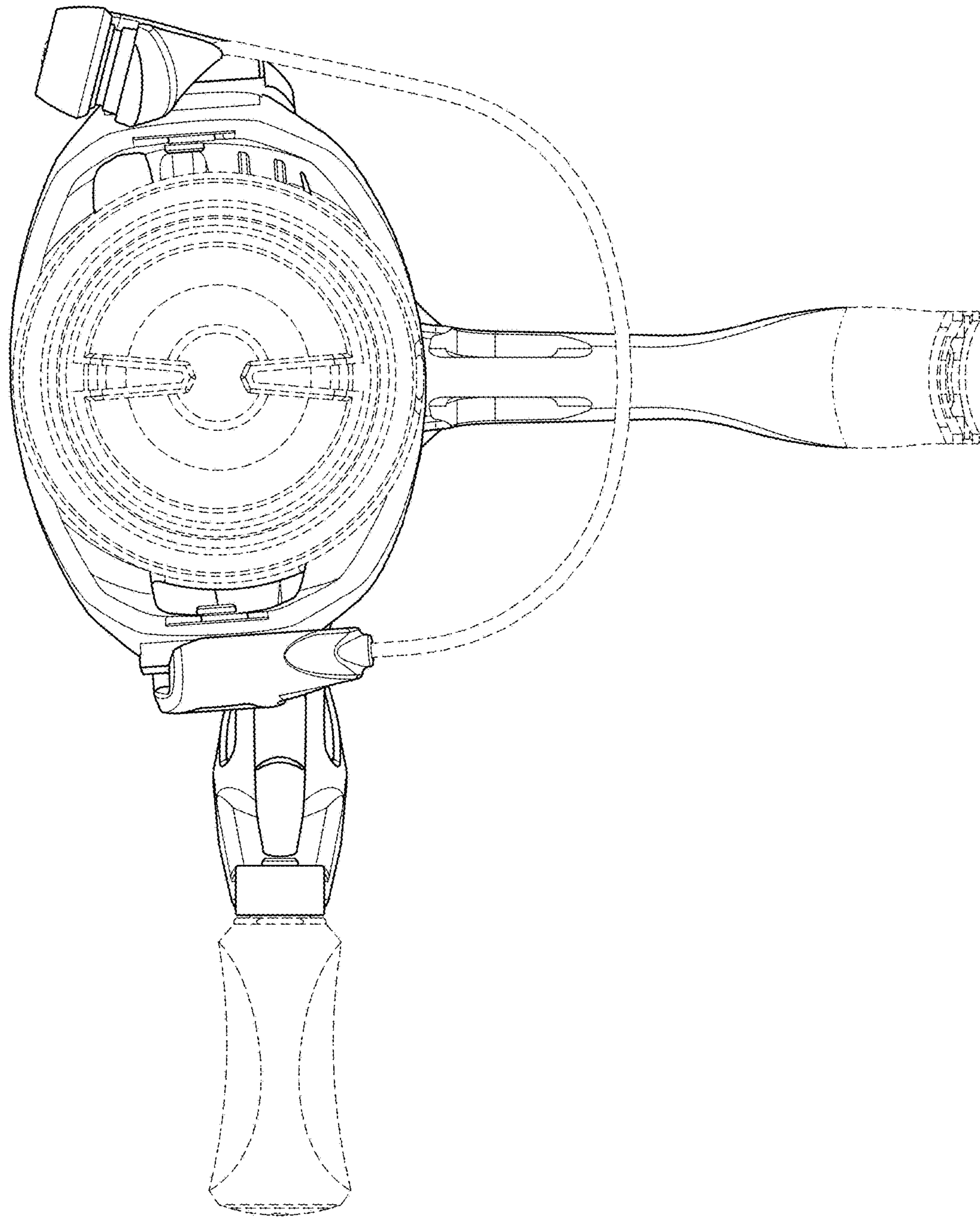


FIG. 2

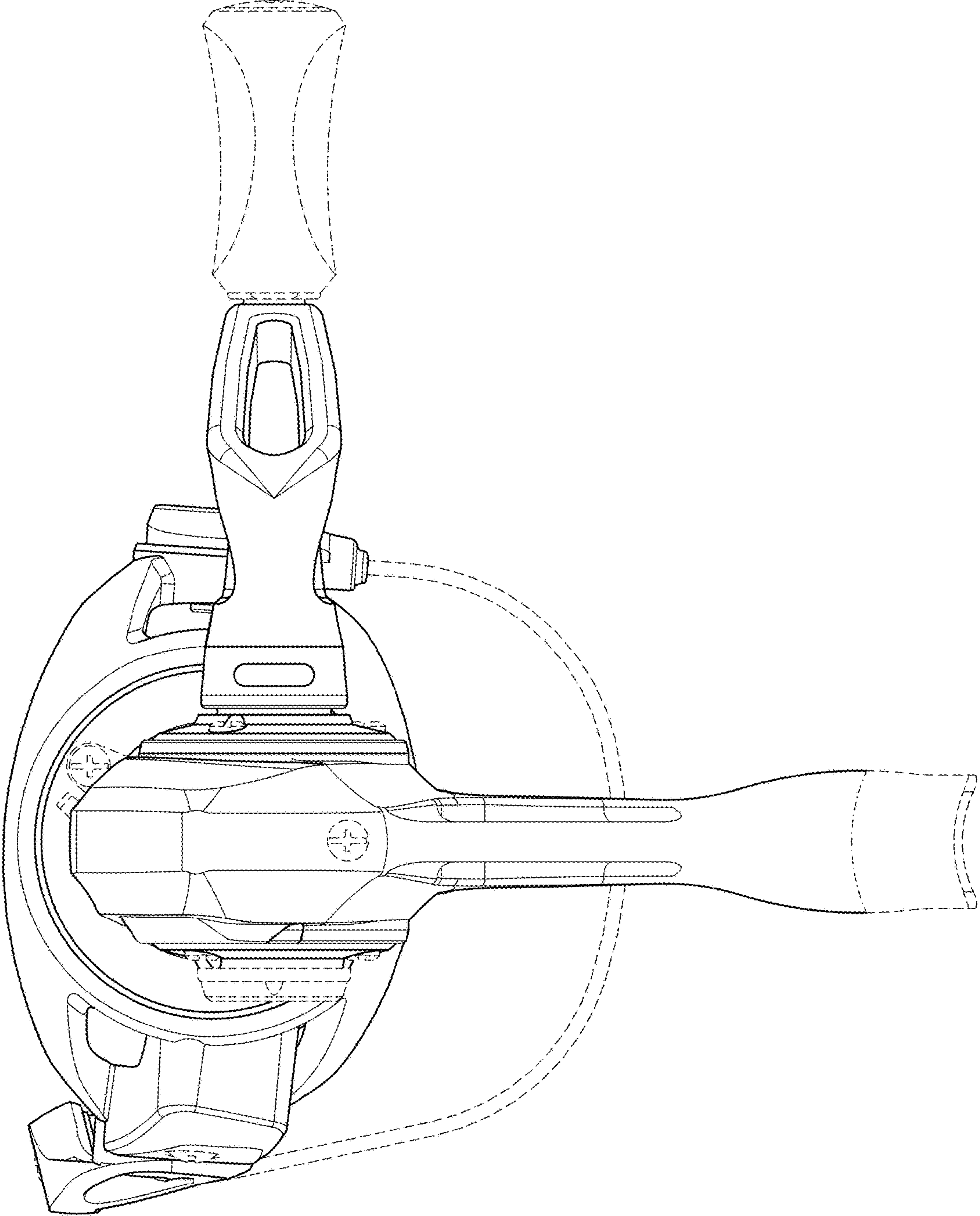


FIG. 3

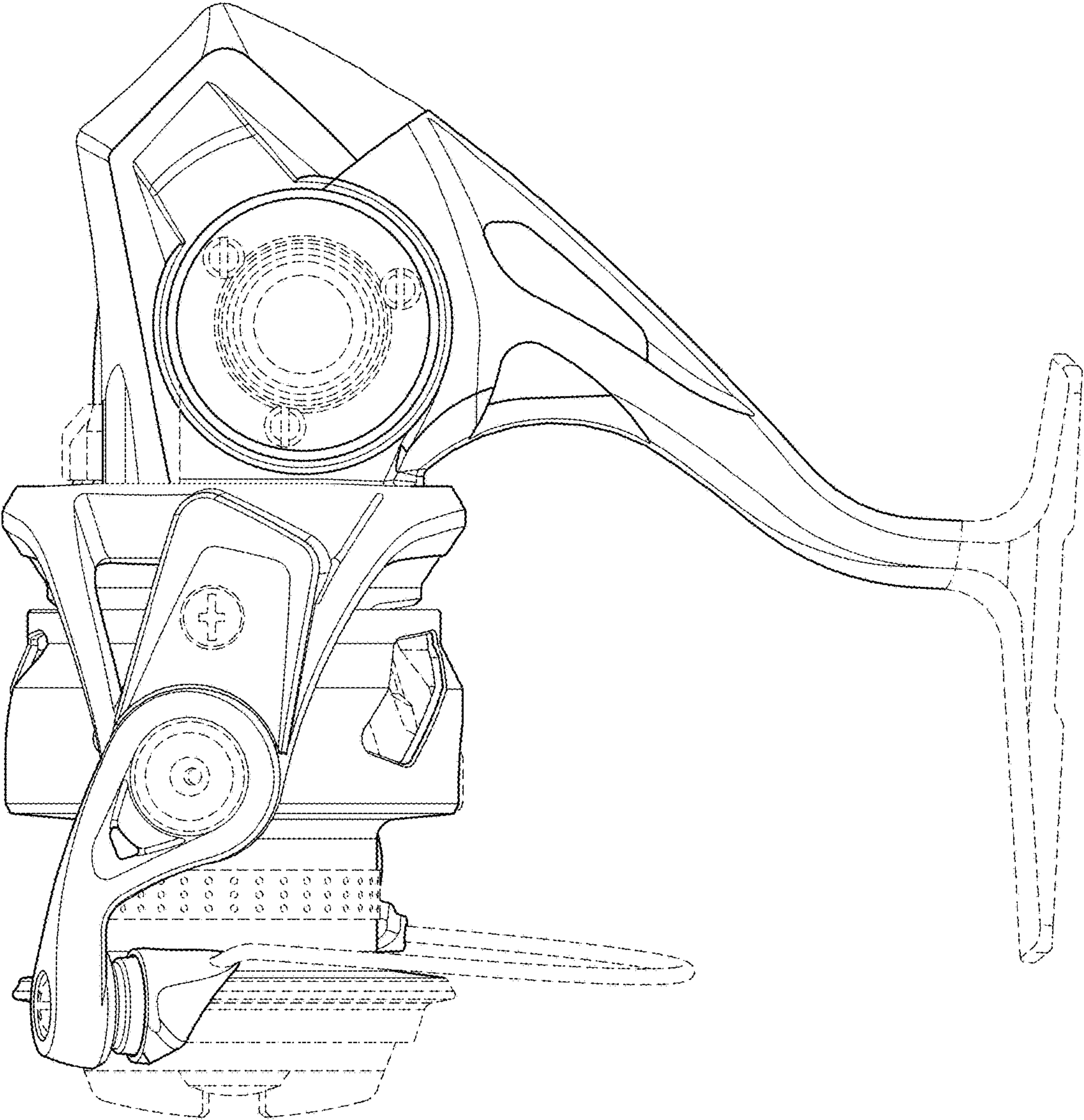


FIG. 4

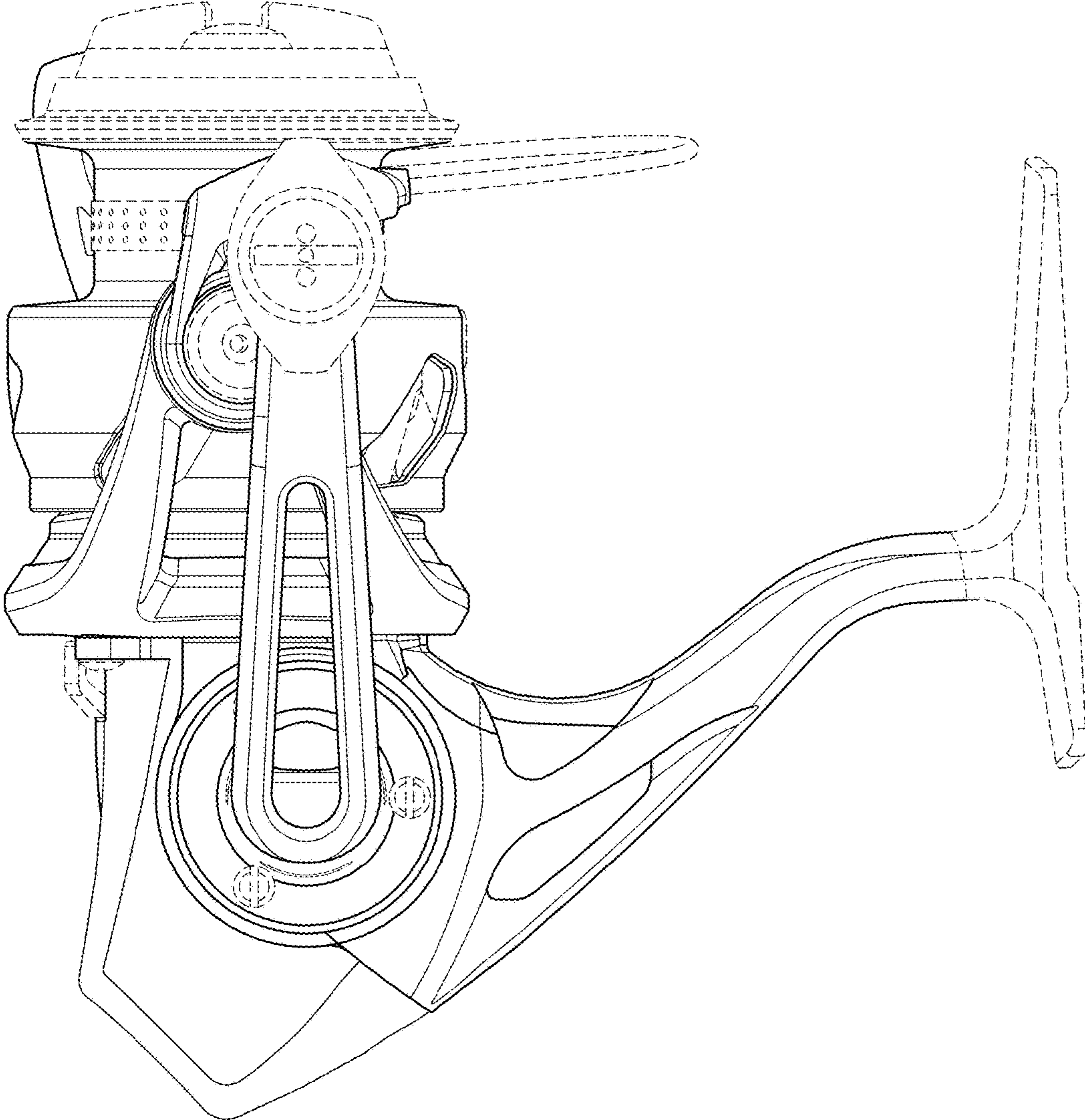


FIG. 5

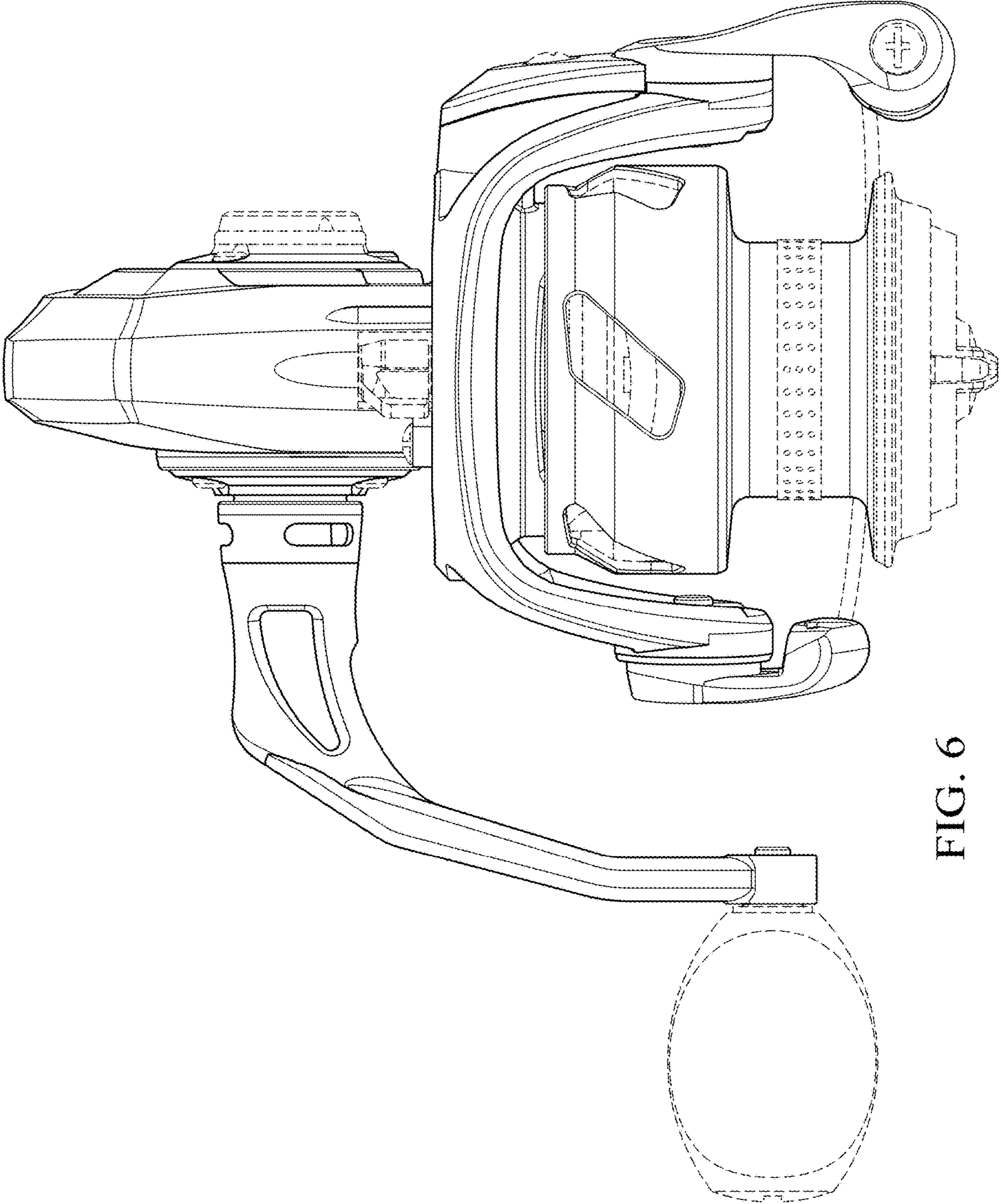


FIG. 6

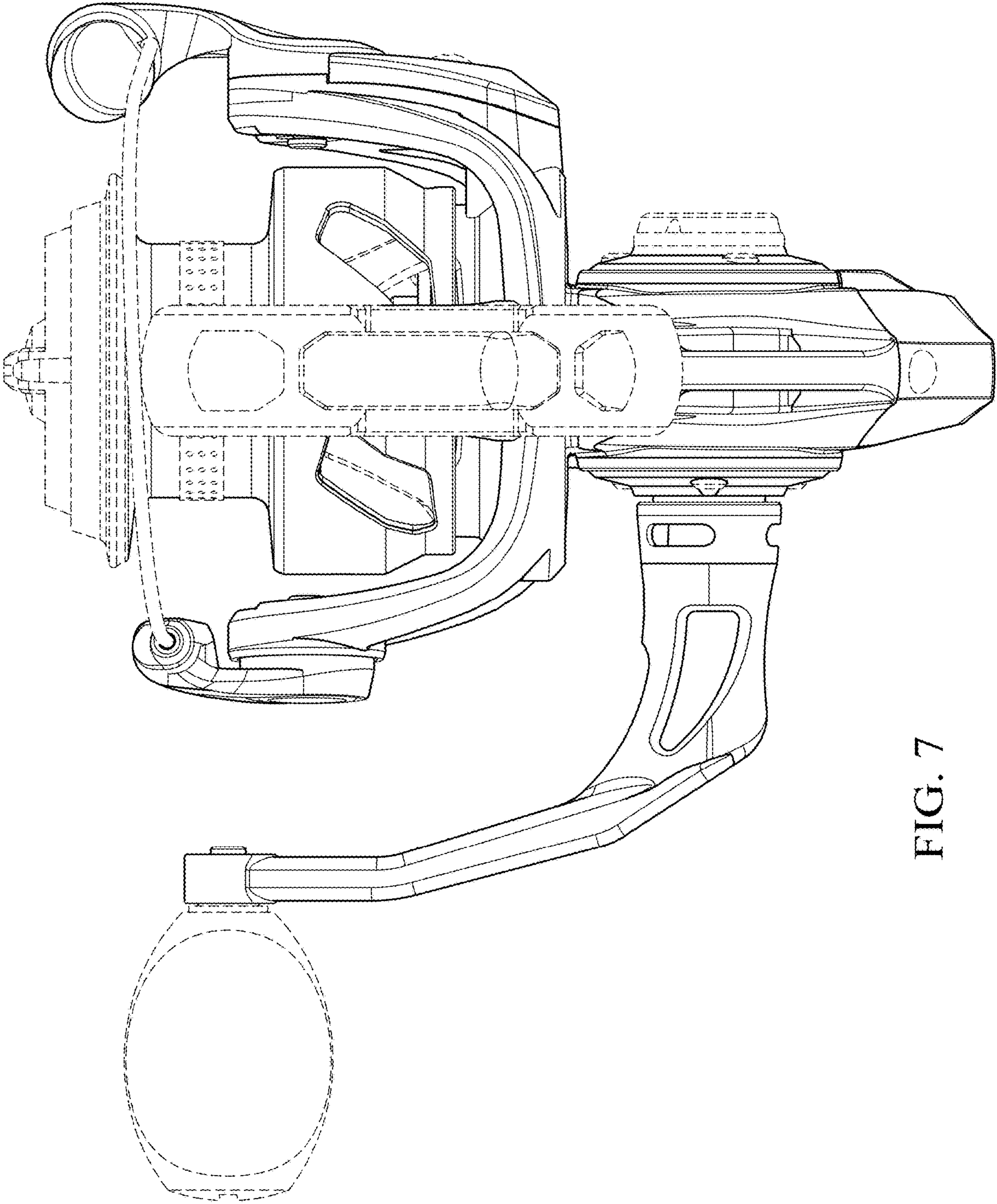


FIG. 7