



US00D861826S

(12) **United States Design Patent** (10) **Patent No.:** **US D861,826 S**  
**Essary et al.** (45) **Date of Patent:** **\*\* Oct. 1, 2019**

(54) **DECOY** 3,800,457 A 4/1974 Barrett  
4,651,459 A \* 3/1987 Wurtz ..... A01K 97/12  
43/15  
(71) Applicant: **Top Down Decoys LLC**, Viola, IL  
(US) 4,845,872 A 7/1989 Anderson  
5,003,722 A \* 4/1991 Berkley ..... A01M 31/06  
43/3  
(72) Inventors: **Jason M Essary**, Sherrard, IL (US);  
**Robert L Essary, Sr.**, Viola, IL (US) 5,293,709 A 3/1994 Cripe  
5,595,012 A 1/1997 Coleman  
5,613,317 A 3/1997 Ninegar  
(73) Assignee: **Top Down Decoys, LLC**, Viola, IL  
(US) 6,092,322 A 7/2000 Samaras  
6,115,953 A 9/2000 Wise  
D437,382 S \* 2/2001 Krise ..... D22/125  
6,481,147 B2 11/2002 Lindaman  
(\*\*) Term: **15 Years** (Continued)

(21) Appl. No.: **29/684,948**  
(22) Filed: **Mar. 25, 2019**

**Related U.S. Application Data**

(63) Continuation of application No. 16/362,089, filed on  
Mar. 22, 2019.  
(51) **LOC (12) Cl.** ..... **22-05**  
(52) **U.S. Cl.**  
USPC ..... **D22/125**  
(58) **Field of Classification Search**  
USPC ..... D22/125; 43/2-3; D21/607-608;  
248/188.9; 446/387  
CPC ..... A01M 31/00; A01M 31/06; A01M 97/12  
See application file for complete search history.

**References Cited**

**U.S. PATENT DOCUMENTS**

(56) 2,441,753 A 5/1948 Carpenter  
2,450,572 A \* 10/1948 Ballard ..... A01M 31/06  
248/188.91  
2,783,572 A \* 3/1957 Rohan ..... A01M 31/06  
43/3  
D185,866 S \* 8/1959 Anderson ..... 43/2  
3,350,808 A \* 11/1967 Mitchell ..... A01M 31/06  
43/3  
3,707,798 A 1/1973 Tryon

**OTHER PUBLICATIONS**

Sillosocks Decoys, Specklebelly Goose Decoys; <https://www.sillosocks.com/collections/specklebelly-geese-decoys>.  
(Continued)

*Primary Examiner* — Catherine R Oliver-Garcia  
(74) *Attorney, Agent, or Firm* — Hamilton IP Law, PC;  
Jay R. Hamilton; Charles A Damschen

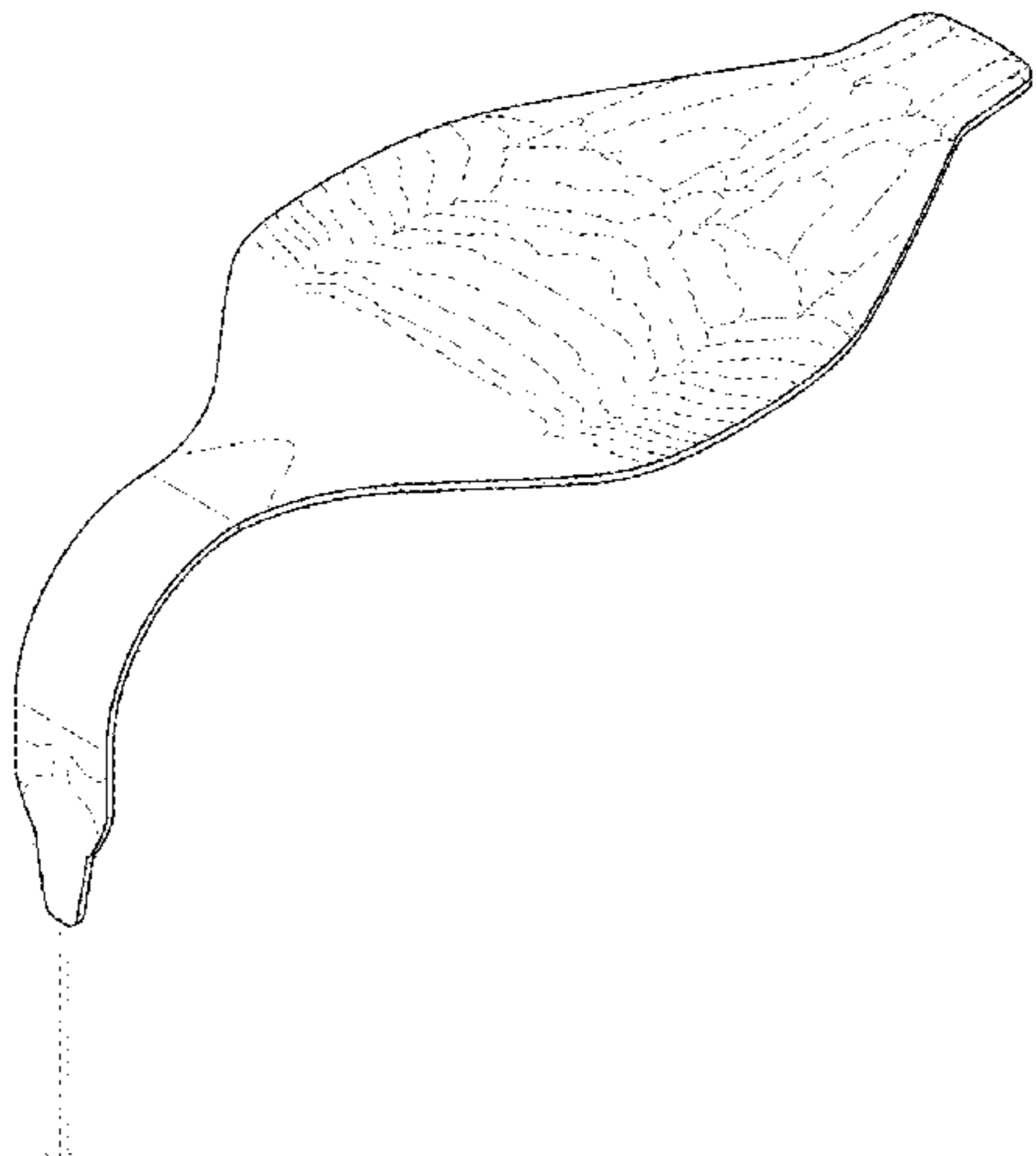
**CLAIM**

(57) The ornamental design for a decoy, as shown and described.

**DESCRIPTION**

FIG. 1 is a top perspective view of a decoy showing our new design;  
FIG. 2 is a front view thereof;  
FIG. 3 is a rear view thereof;  
FIG. 4 is a right side view thereof;  
FIG. 5 is a left side view thereof;  
FIG. 6 is a top plan view thereof; and,  
FIG. 7 is a bottom plan view.  
The broken lines depict environmental structure and are for illustrative purposes only and form no part of the claimed design.

**1 Claim, 7 Drawing Sheets**



(56)

**References Cited**

U.S. PATENT DOCUMENTS

6,643,971 B2 11/2003 Daniels  
6,698,132 B1 3/2004 Brint  
8,082,689 B2 12/2011 Eggleston  
D764,011 S \* 8/2016 Buckway ..... D22/125  
9,532,565 B2 1/2017 Anson et al.  
D794,155 S \* 8/2017 Buckway ..... D22/125  
2014/0245653 A1 9/2014 Foster  
2015/0173347 A1 6/2015 Lawton  
2016/0088831 A1 3/2016 Mormile  
2016/0128319 A1 5/2016 Smart

OTHER PUBLICATIONS

Sillosocks Decoys, Specklebelly Goose Harvester Pack; <https://www.sillosocks.com/collections/specklebelly-goose-decoys/products/specklebelly-goose-harvester-pack?variant=32106334276>.

\* cited by examiner

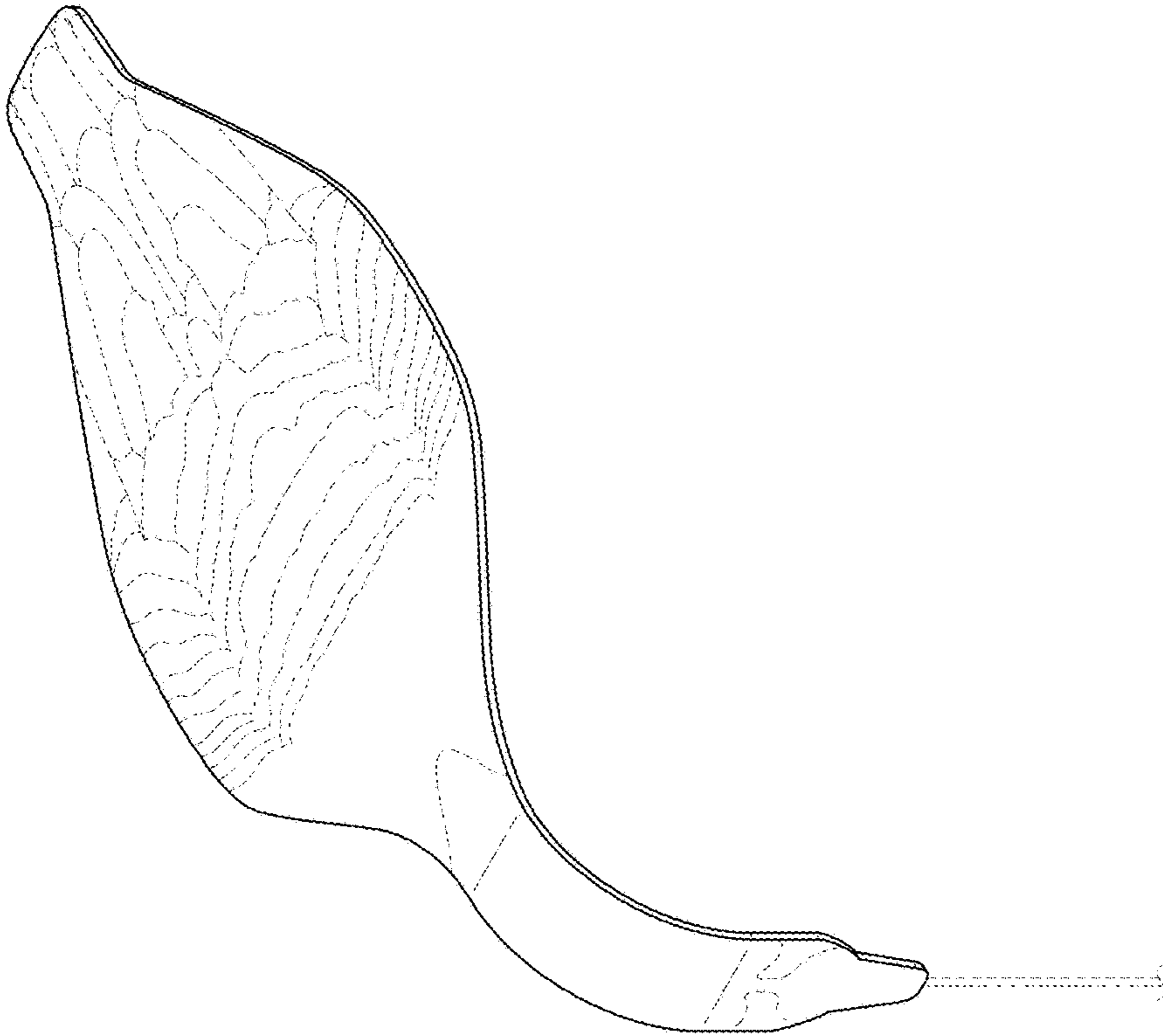


FIG. 1

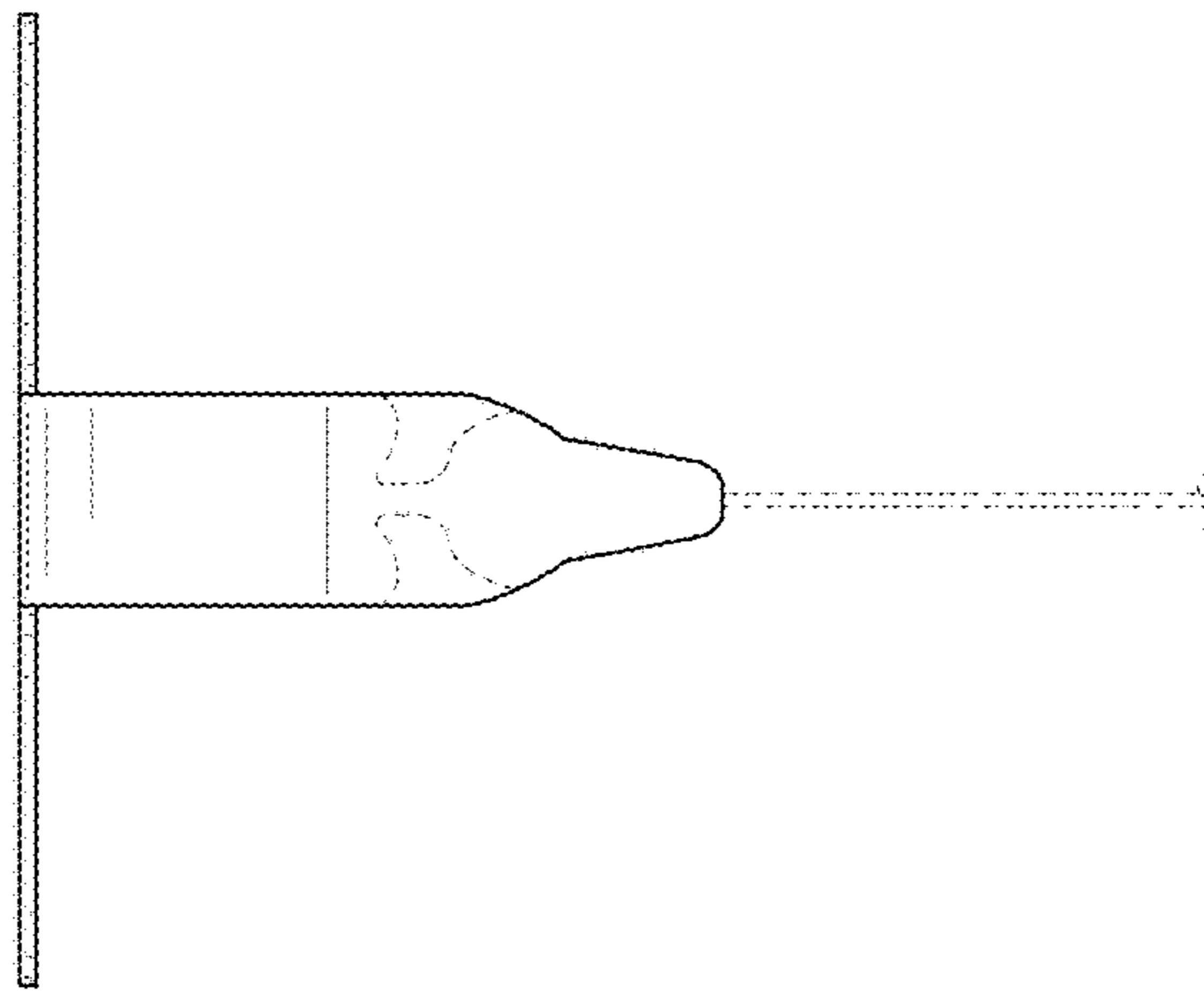


FIG. 2

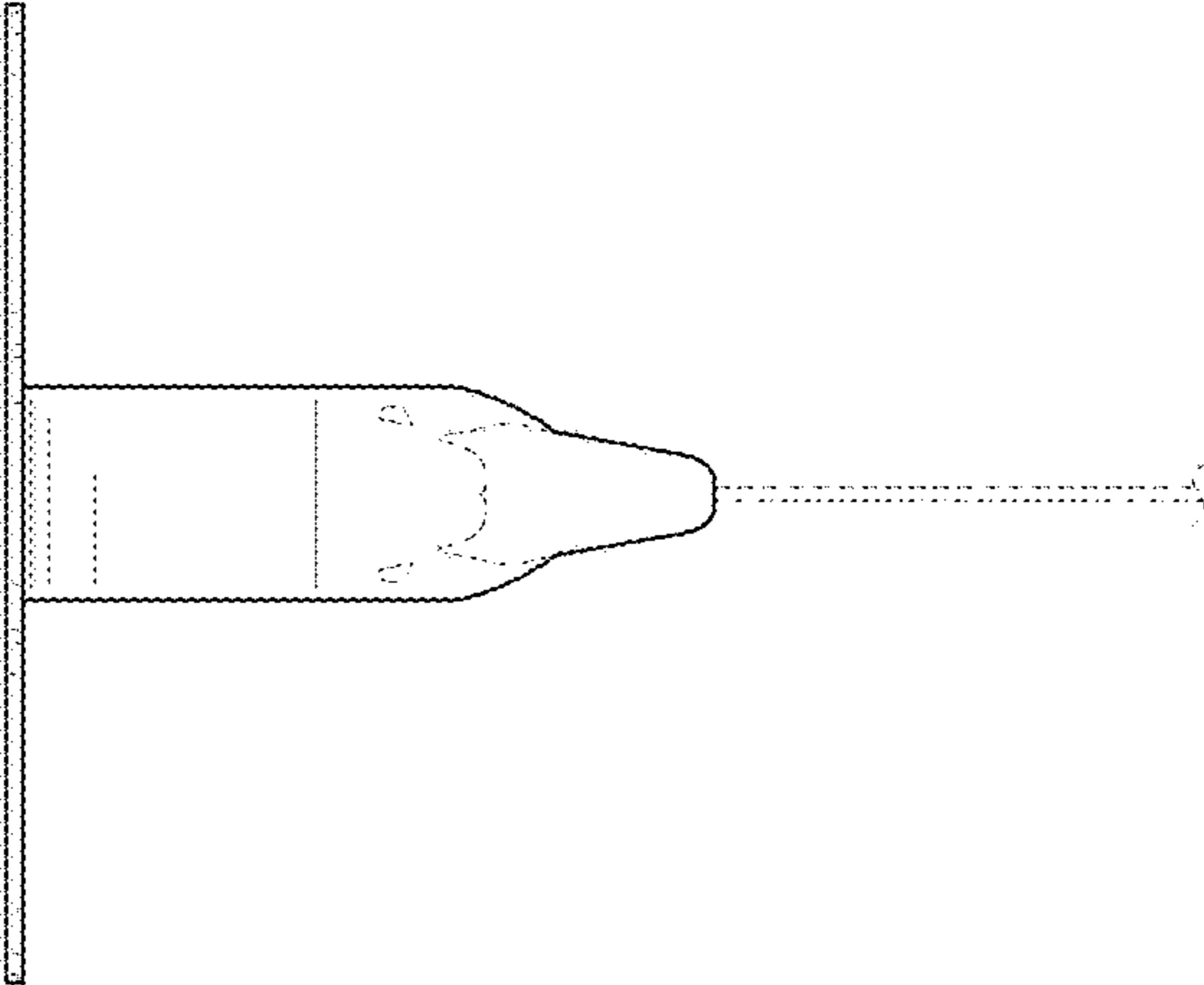


FIG. 3

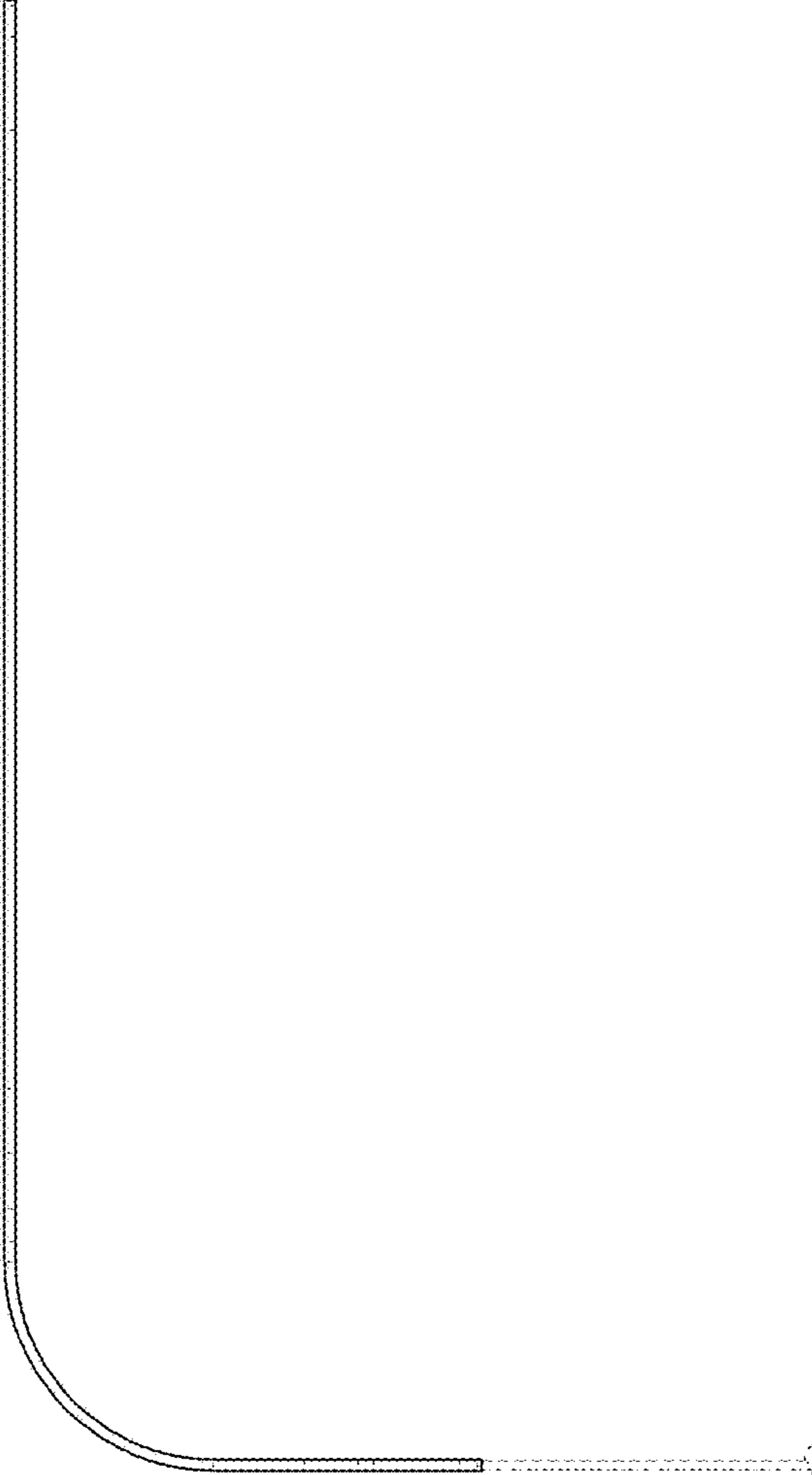


FIG. 4

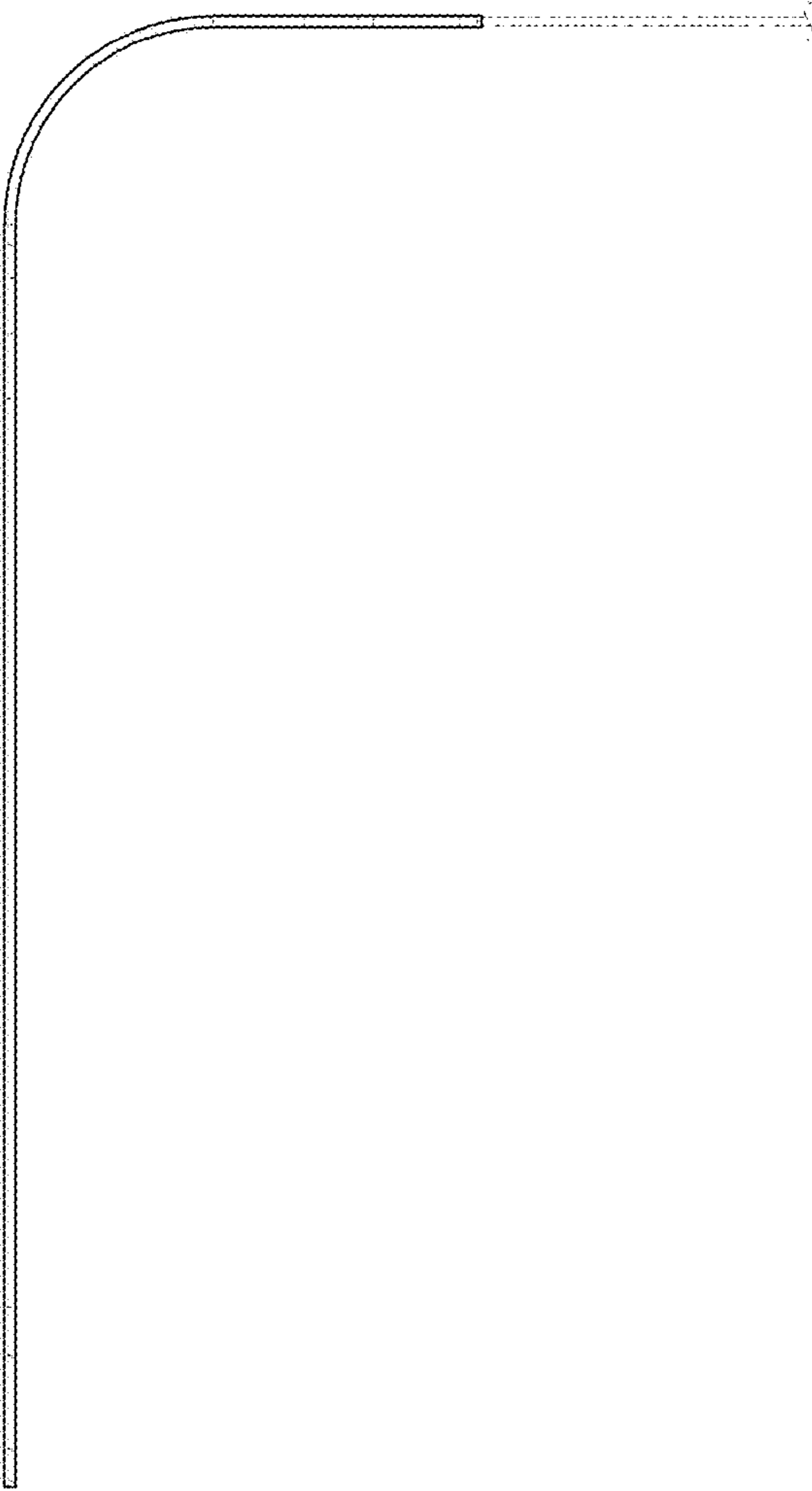


FIG. 5

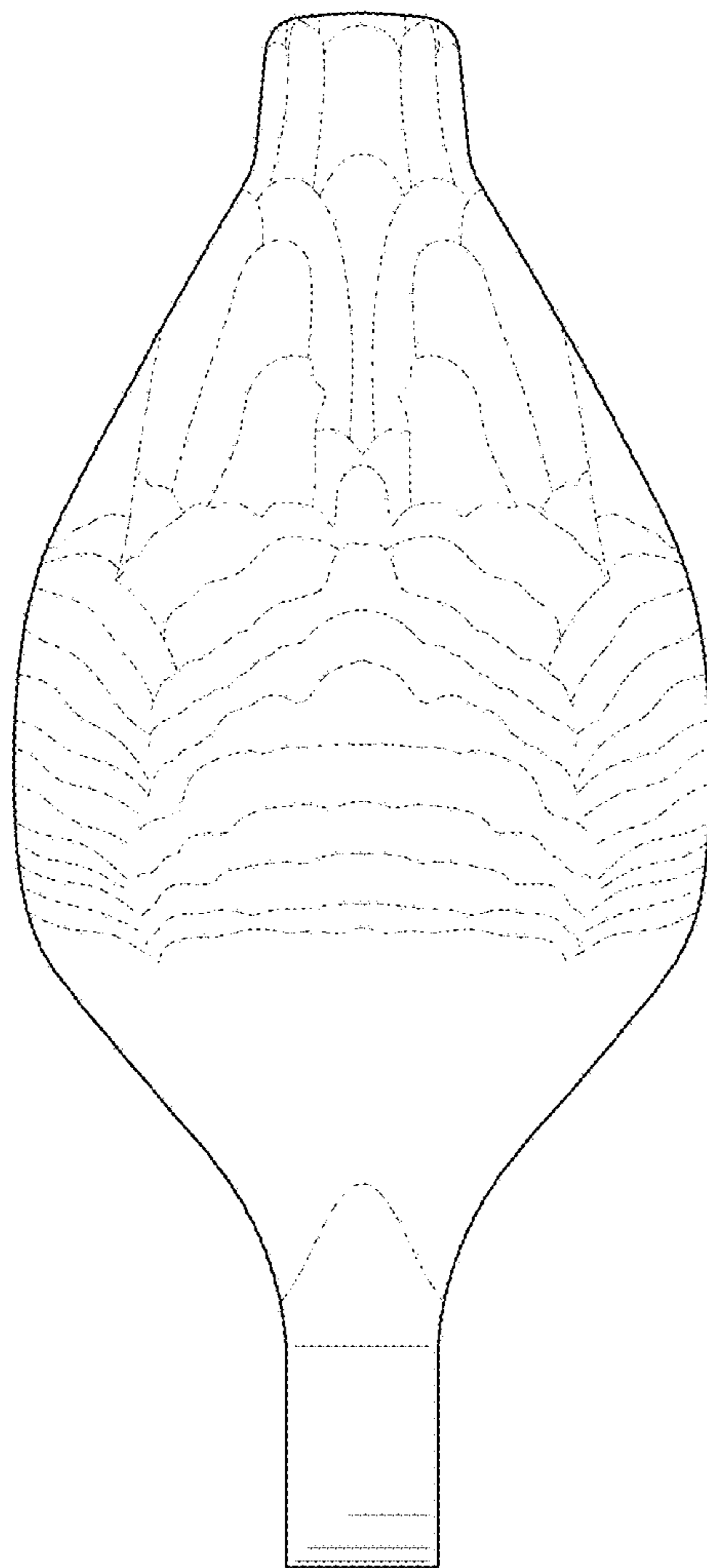


FIG. 6



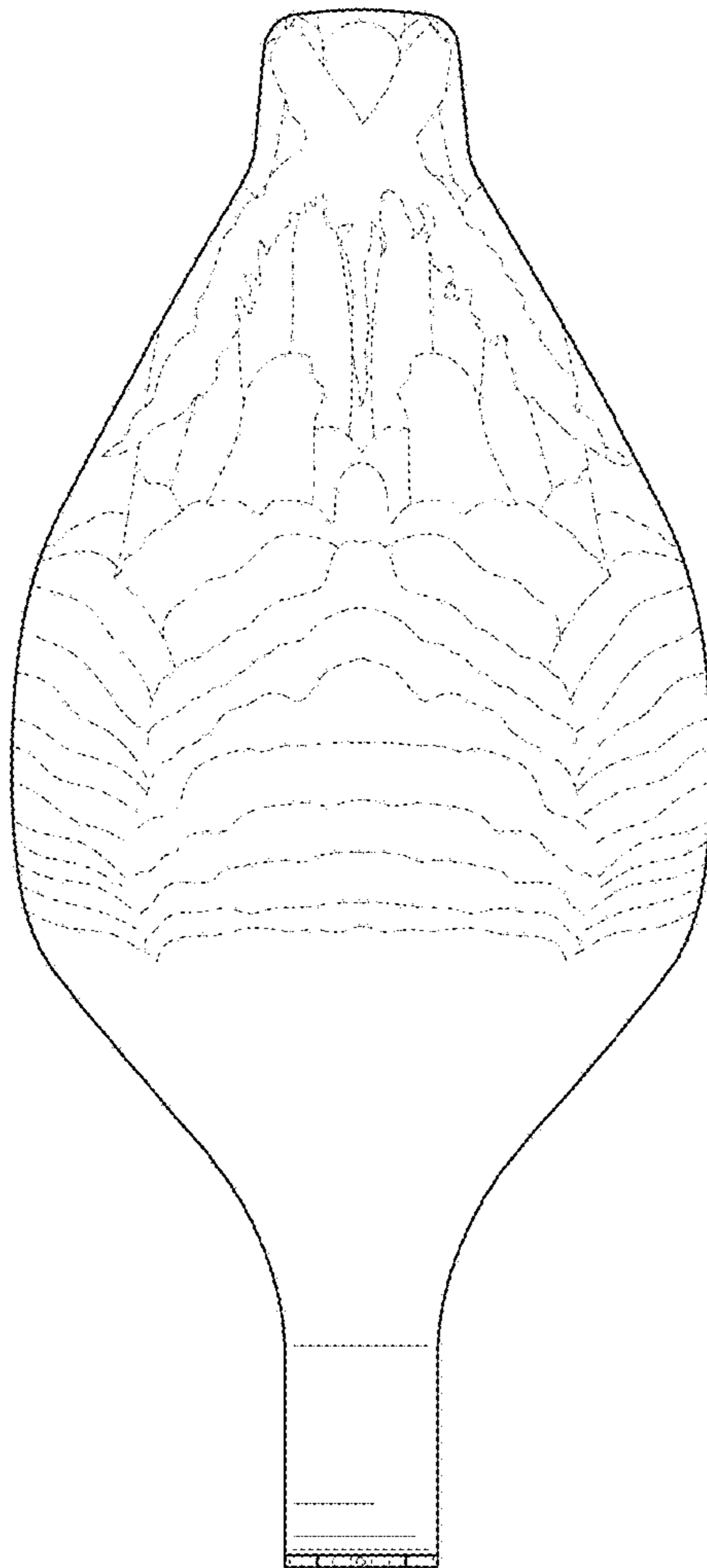


FIG. 7