



US00D861824S

(12) **United States Design Patent**
Yang

(10) **Patent No.:** **US D861,824 S**

(45) **Date of Patent:** **** Oct. 1, 2019**

- (54) **MOUSETRAP**
- (71) Applicant: **Shouqiang Yang**, Dongguan (CN)
- (72) Inventor: **Shouqiang Yang**, Dongguan (CN)
- (**) Term: **15 Years**
- (21) Appl. No.: **29/634,776**
- (22) Filed: **Jan. 24, 2018**
- (51) **LOC (12) Cl.** **22-06**
- (52) **U.S. Cl.**
USPC **D22/119**
- (58) **Field of Classification Search**
USPC D22/119-124; 43/58, 60-61, 107, 114
CPC A01M 23/00; A01M 23/18; A01M 23/20;
A01M 23/22; A01M 23/005
See application file for complete search history.

- 4,578,892 A * 4/1986 Melton A01M 23/18
43/58
- D291,588 S * 8/1987 Melton D22/119
- D323,016 S * 1/1992 Vajs D22/119
- D470,562 S * 2/2003 Lafforthun D22/119
- 7,987,628 B2 * 8/2011 Le Laidier A01M 23/22
43/60
- D711,495 S * 8/2014 Metlen D22/119
- 8,839,550 B2 * 9/2014 Gardner A01M 23/00
43/61

* cited by examiner

Primary Examiner — Catherine R Oliver-Garcia

(57) **CLAIM**

The ornamental design for a mousetrap, as shown and described.

DESCRIPTION

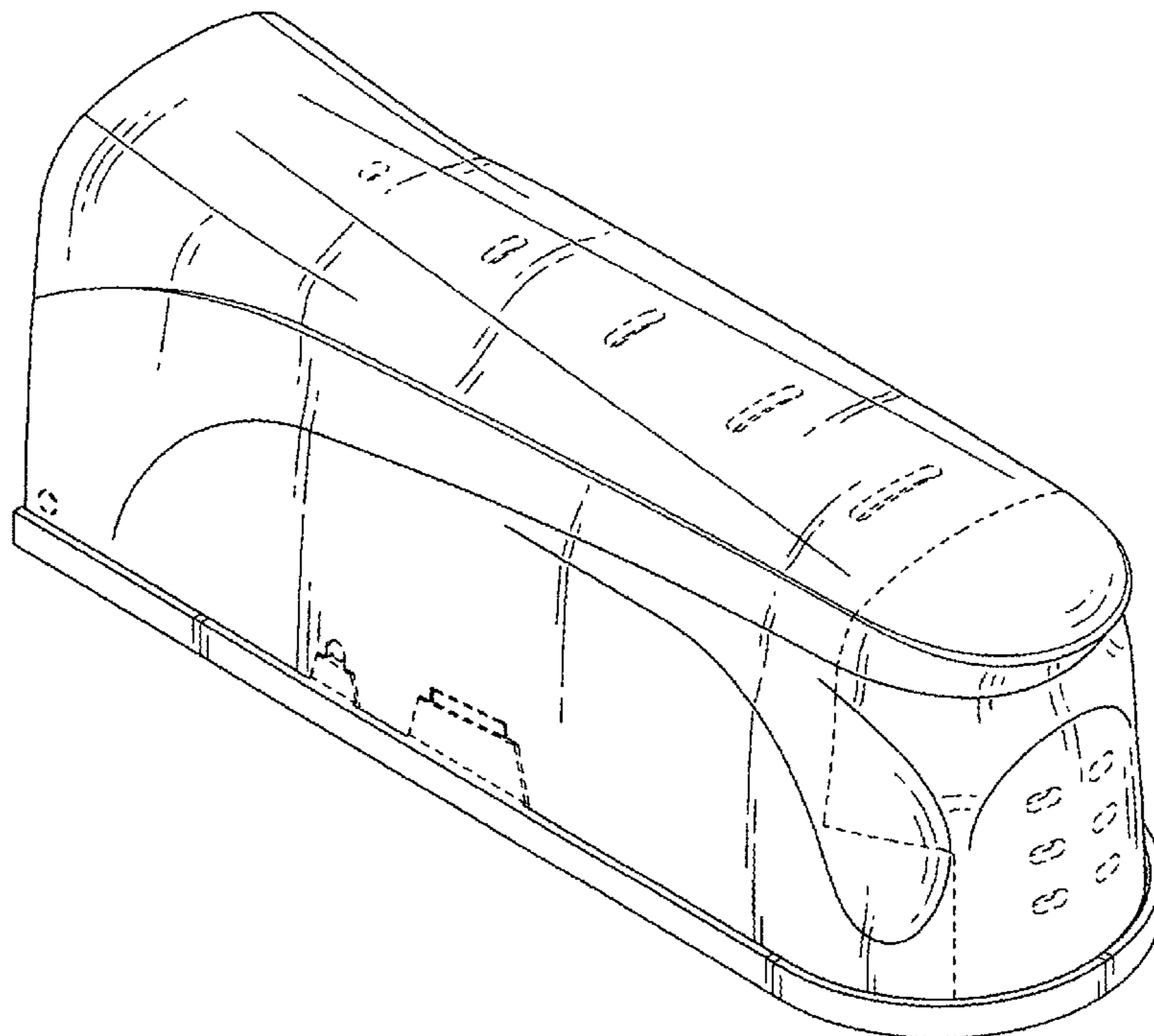
FIG. 1 is a front, top and right side perspective view of a mousetrap showing my new design;
 FIG. 2 is a front elevation view thereof;
 FIG. 3 is a rear elevation view thereof;
 FIG. 4 is a left side elevation view thereof;
 FIG. 5 is a right side elevation view thereof;
 FIG. 6 is a top plan view thereof; and,
 FIG. 7 is rear, top and left side perspective view thereof.
 The broken lines illustrate portions of the mousetrap that form no part of the claimed design.

1 Claim, 6 Drawing Sheets

(56) **References Cited**

U.S. PATENT DOCUMENTS

- 1,650,455 A * 11/1927 Lewis A01M 23/20
43/61
- 2,225,251 A * 12/1940 Andrick A01M 23/18
43/61
- 2,475,462 A * 7/1949 Rosen A01M 23/18
43/61
- 3,398,478 A * 8/1968 Pearsall A01M 23/005
43/114
- 4,187,634 A * 2/1980 Kintz A01M 23/20
43/61



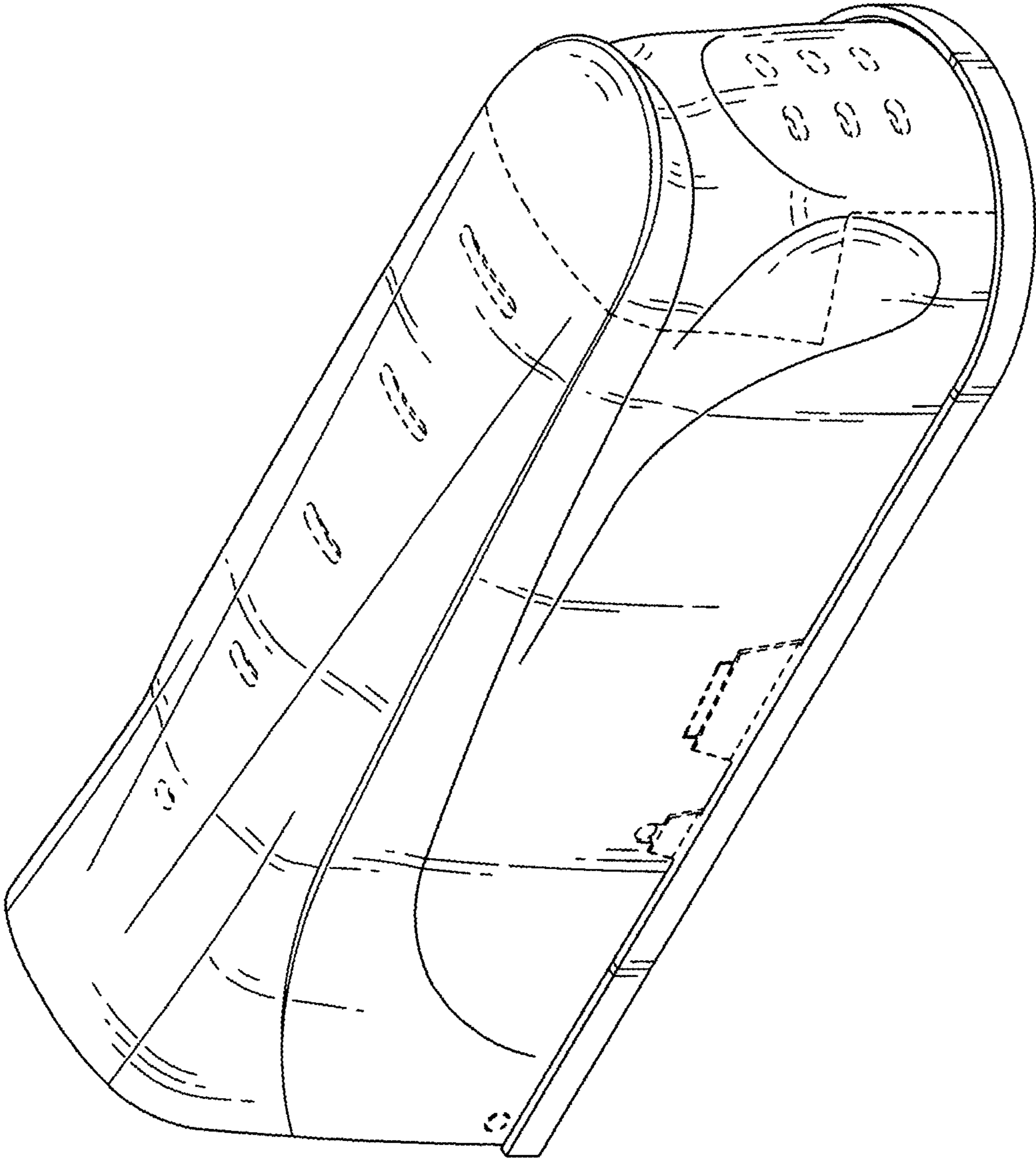


FIG.1

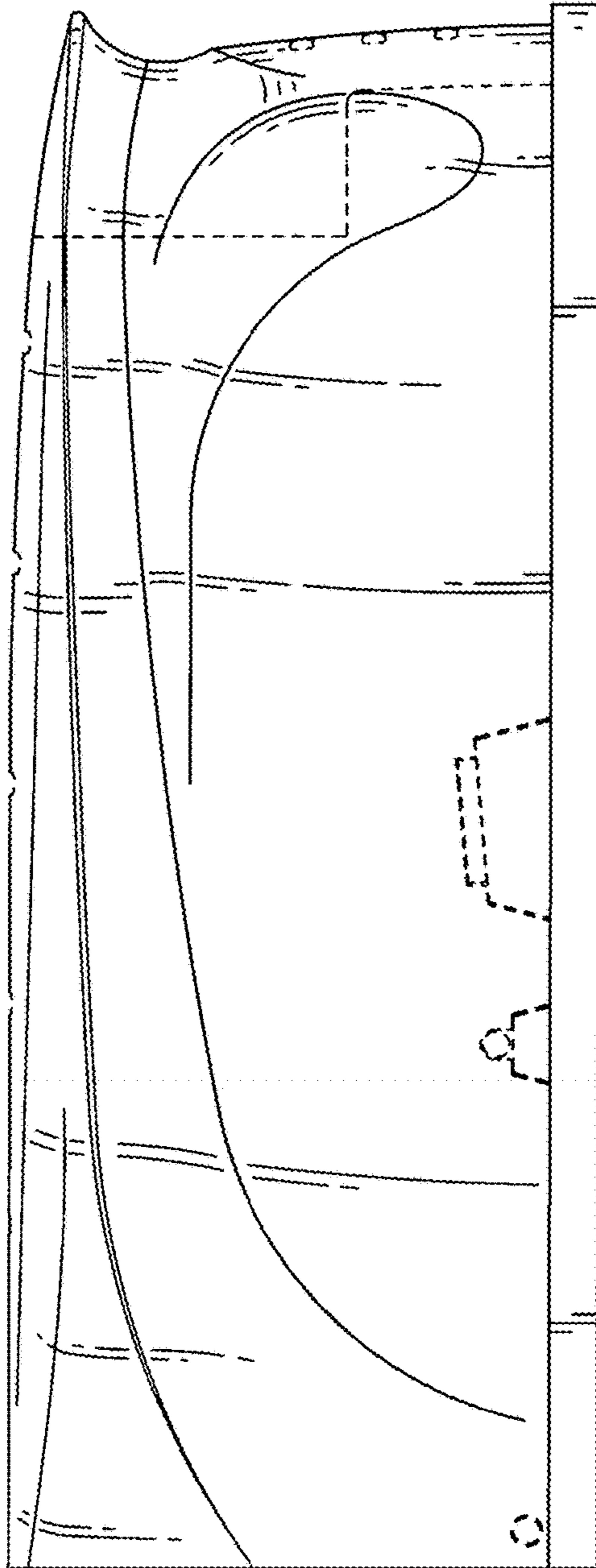


FIG.2

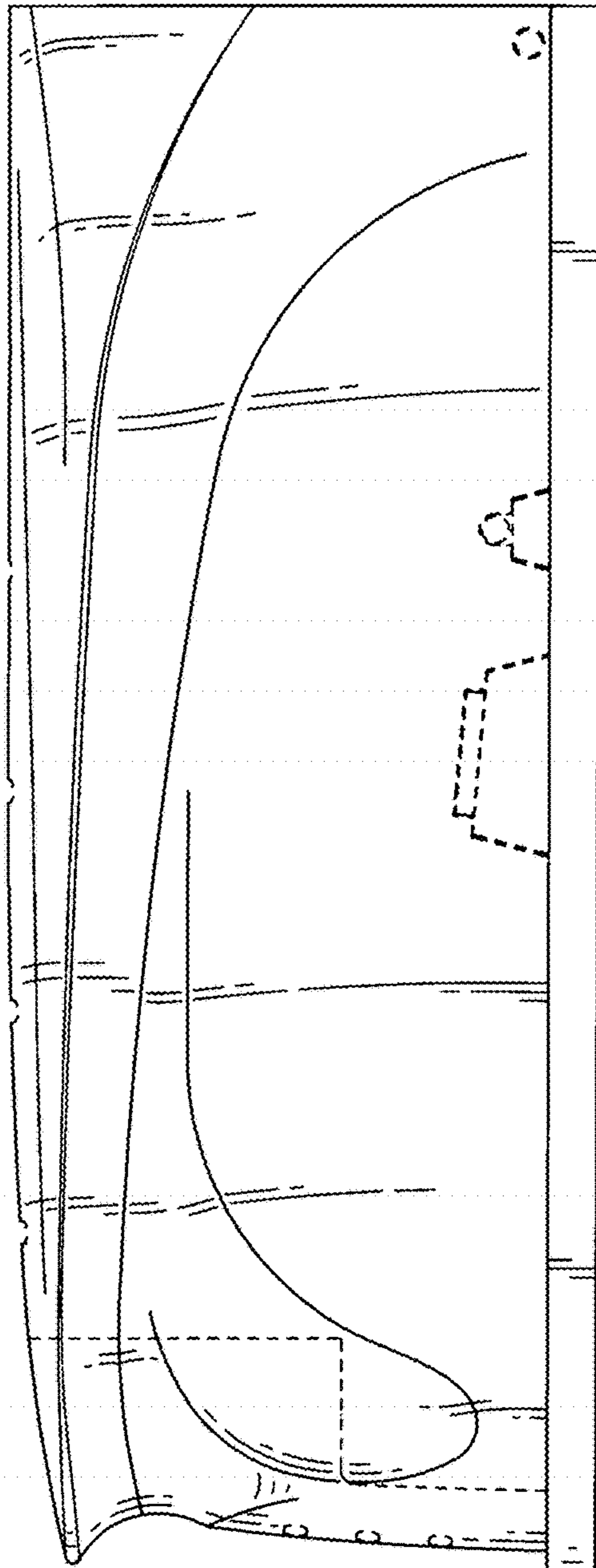


FIG.3

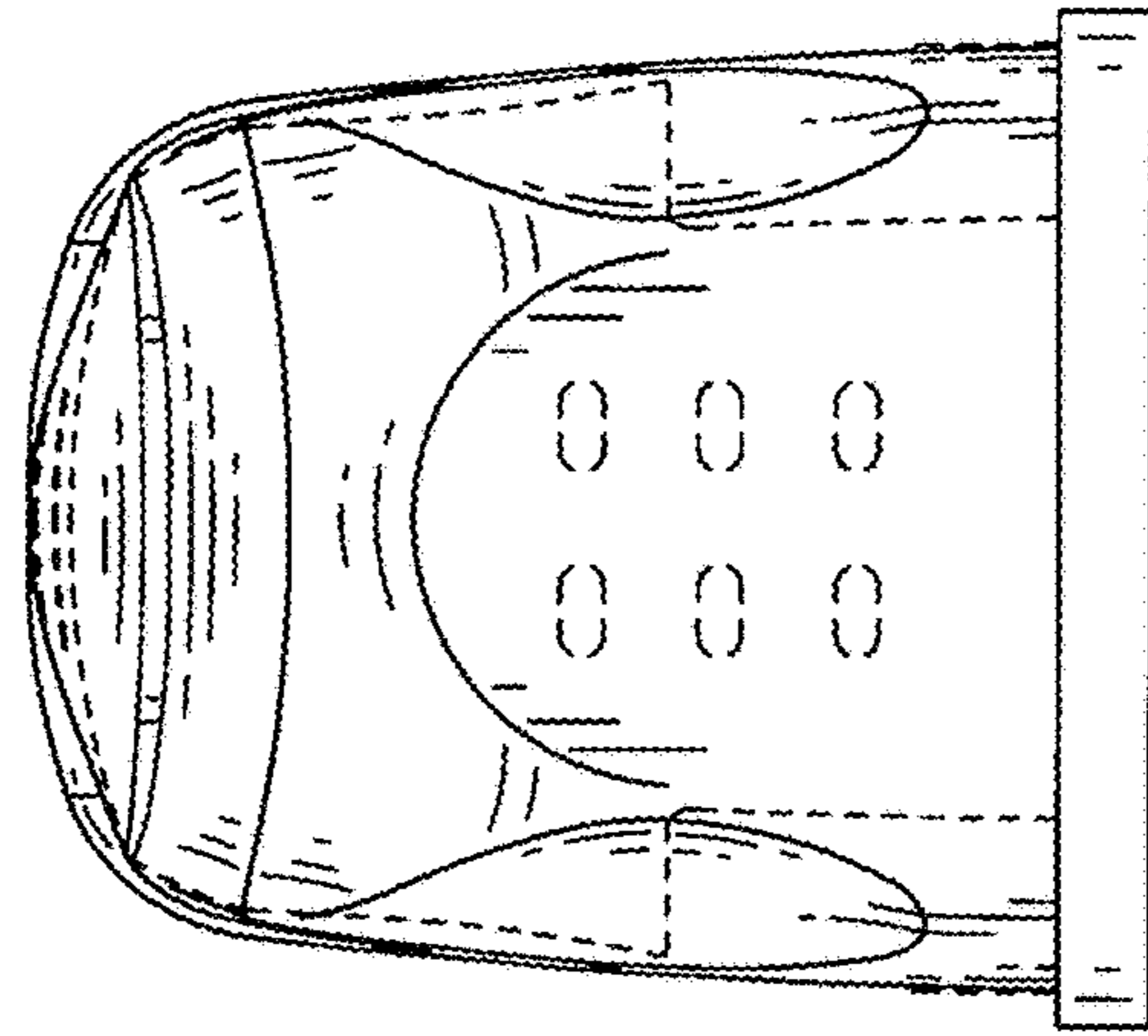


FIG.5

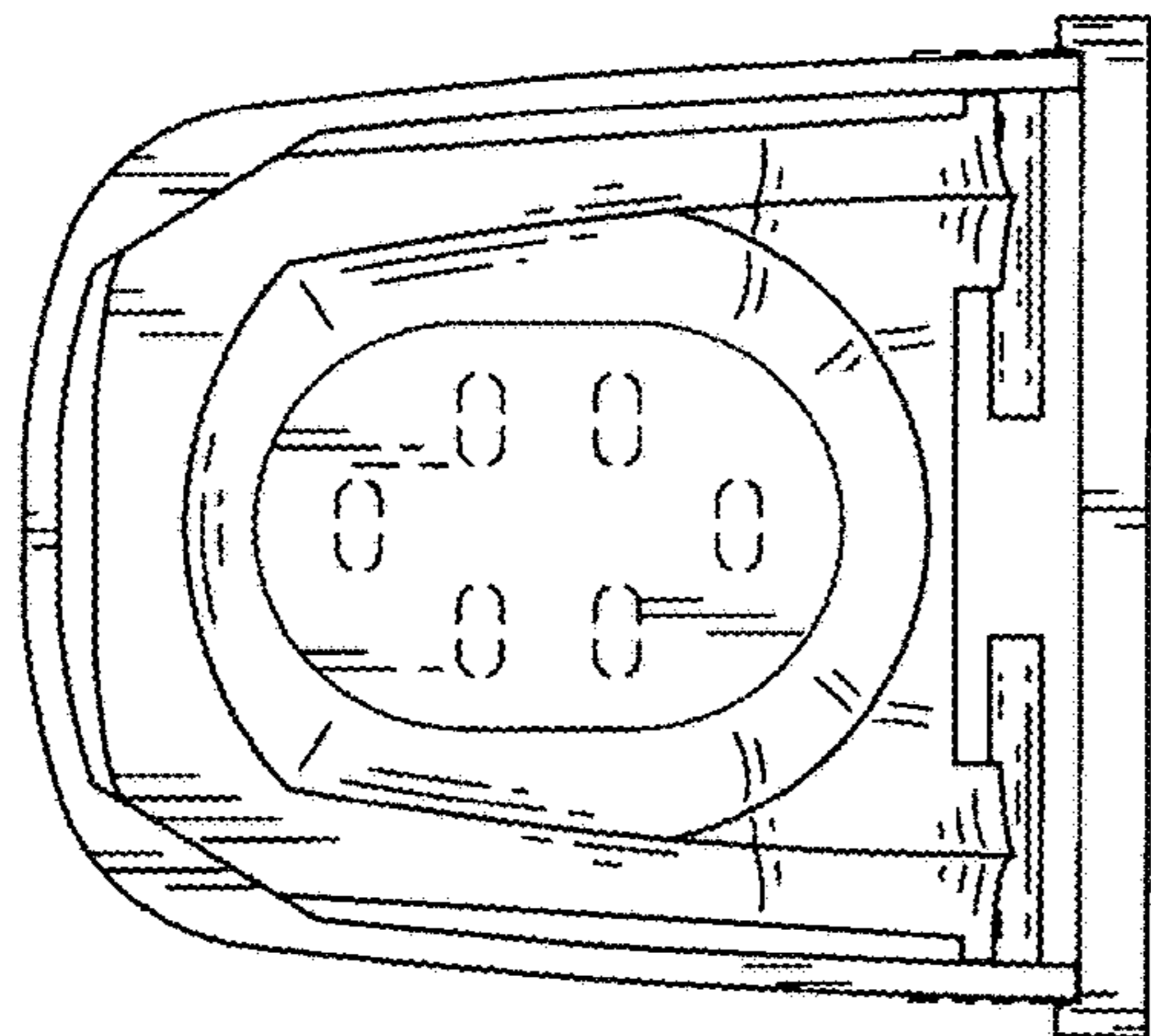


FIG.4

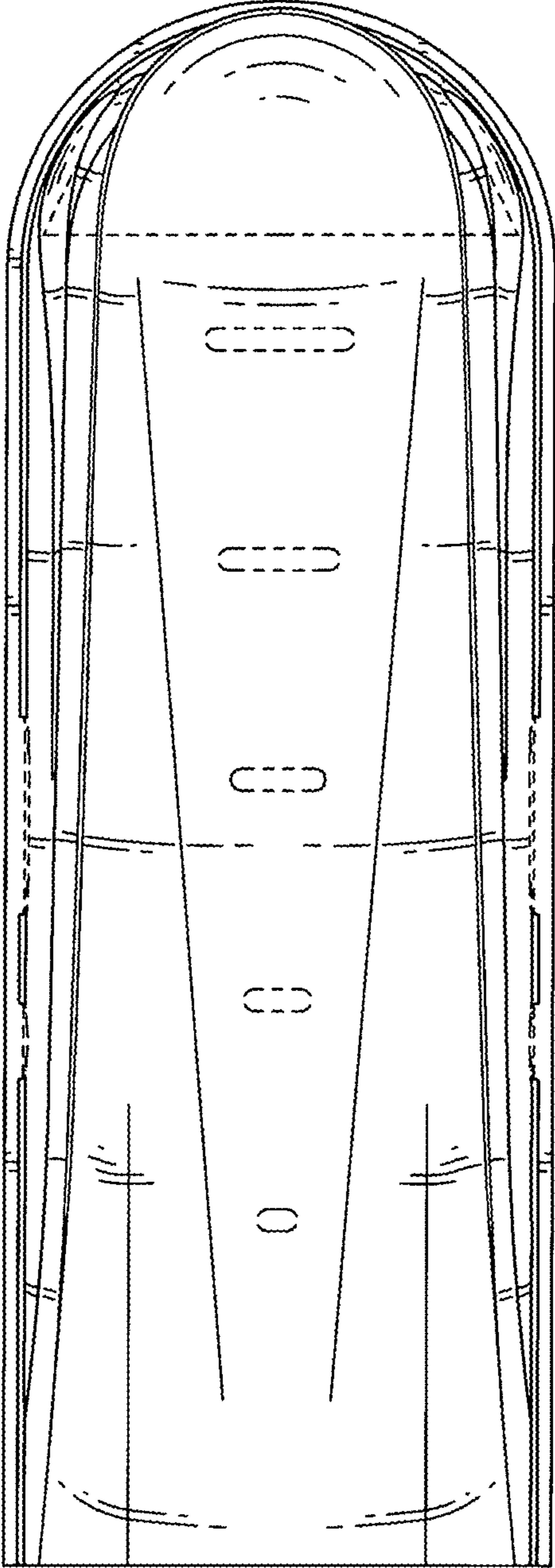


FIG.6

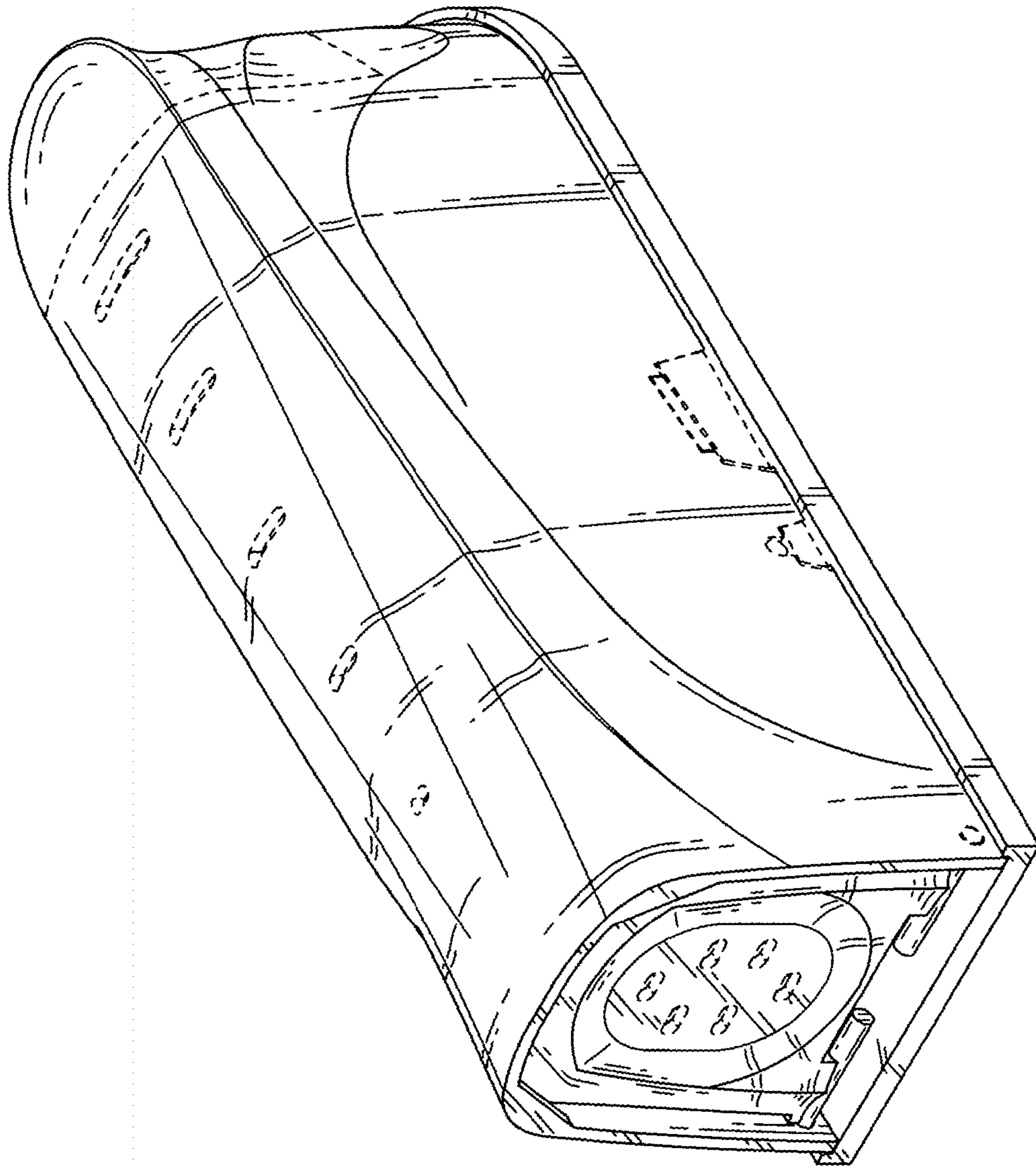


FIG.7