



US00D861820S

(12) **United States Design Patent** (10) **Patent No.:** **US D861,820 S**
Rademacher et al. (45) **Date of Patent:** **** Oct. 1, 2019**

(54) **INFLATABLE WATERSPORTS PRODUCT**

(71) Applicant: **Wibit Sports GmbH**, Bocholt (DE)

(72) Inventors: **Romann Rademacher**, Bocholt (DE);
Robert Cirjak, Bocholt (DE)

(73) Assignee: **WIBIT SPORTS GMBH**, Bocholt (DE)

(**) Term: **15 Years**

(21) Appl. No.: **29/648,672**

(22) Filed: **May 23, 2018**

(30) **Foreign Application Priority Data**

Nov. 27, 2017 (EM) 004523553-0002

Nov. 27, 2017 (EM) 004523553-0003

(51) **LOC (12) Cl.** **21-02**

(52) **U.S. Cl.**
USPC **D21/835**

(58) **Field of Classification Search**
USPC D21/811, 814, 818-821, 826, 827, 835
CPC . A63B 9/00; A63B 2009/006; A63B 2208/12;
A63G 21/00-21/22; A63G 31/00; A63G 31/12

See application file for complete search history.

(56) **References Cited**

U.S. PATENT DOCUMENTS

- 2,620,185 A * 12/1952 Harding A63B 9/00
182/156
- 3,192,663 A * 7/1965 Kirschner A63H 15/00
446/168
- 3,472,509 A * 10/1969 Flynn A63B 17/00
182/129
- 4,343,464 A * 8/1982 Dose A63G 21/00
190/1

- 4,369,965 A * 1/1983 Ahrens A63B 9/00
482/35
- D340,101 S * 10/1993 Ingold D21/818
- D340,965 S * 11/1993 Lee D21/818
- 5,334,098 A * 8/1994 Pope A63B 9/00
472/116
- D375,537 S * 11/1996 Lenihan D21/826
- D472,292 S * 3/2003 Peterson D21/818
- D639,887 S * 6/2011 Cirjak D21/818
- D661,762 S * 6/2012 Galinski D21/826
- D661,763 S * 6/2012 Galinski D21/826
- D661,765 S * 6/2012 Galinski A63G 31/12
D21/826
- D702,790 S * 4/2014 Cirjak D21/818
- D818,072 S * 5/2018 Rademacher D21/803
- D825,016 S * 8/2018 Wang D21/818

* cited by examiner

Primary Examiner — Mitchell I. Siegel

(74) *Attorney, Agent, or Firm* — Arent Fox LLP

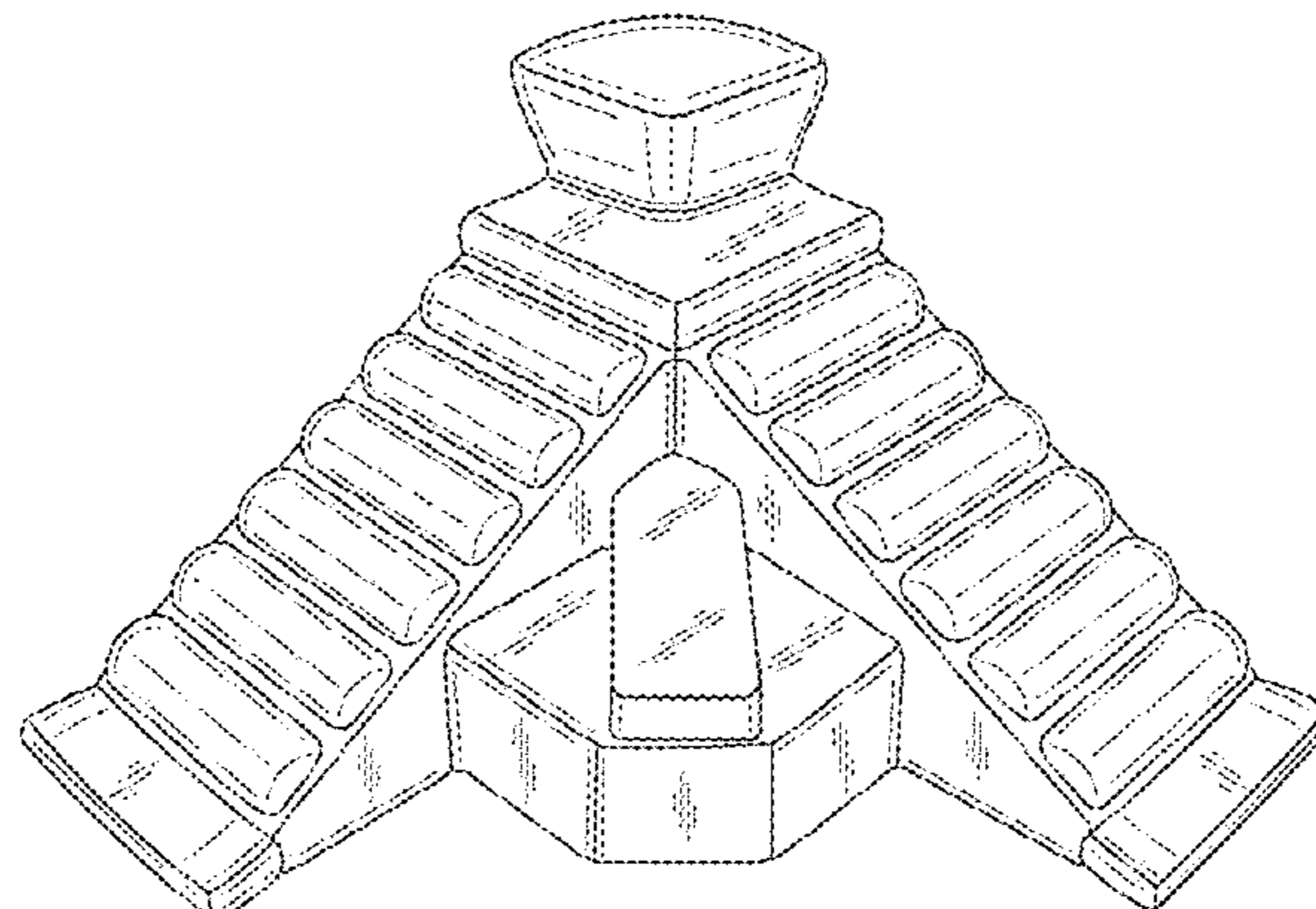
(57) **CLAIM**

The ornamental design for an inflatable watersports product, as shown and described.

DESCRIPTION

FIG. 1 is top front perspective view of an inflatable watersports product showing our new design;
 FIG. 2 is a top rear perspective view of the design shown in FIG. 1;
 FIG. 3 is a front right side view of the design shown in FIG. 1;
 FIG. 4 is a rear right side view of the design shown in FIG. 1;
 FIG. 5 is a front left side view of the design shown in FIG. 1;
 FIG. 6 is a rear left side view of the design shown in FIG. 1;
 FIG. 7 is a top view of the design shown in FIG. 1; and,
 FIG. 8 is a bottom view of the design shown in FIG. 1.

1 Claim, 8 Drawing Sheets



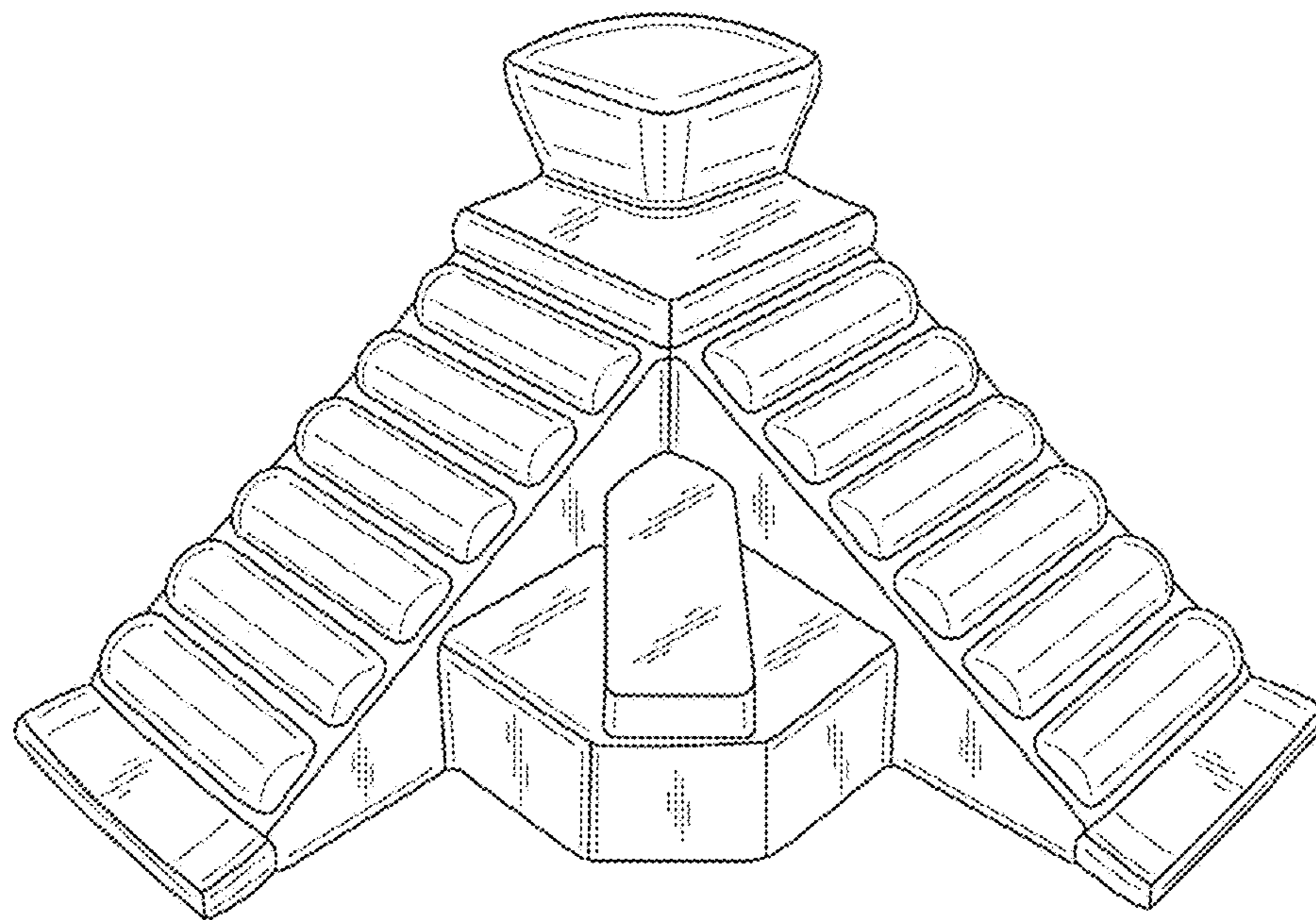


FIG. 1

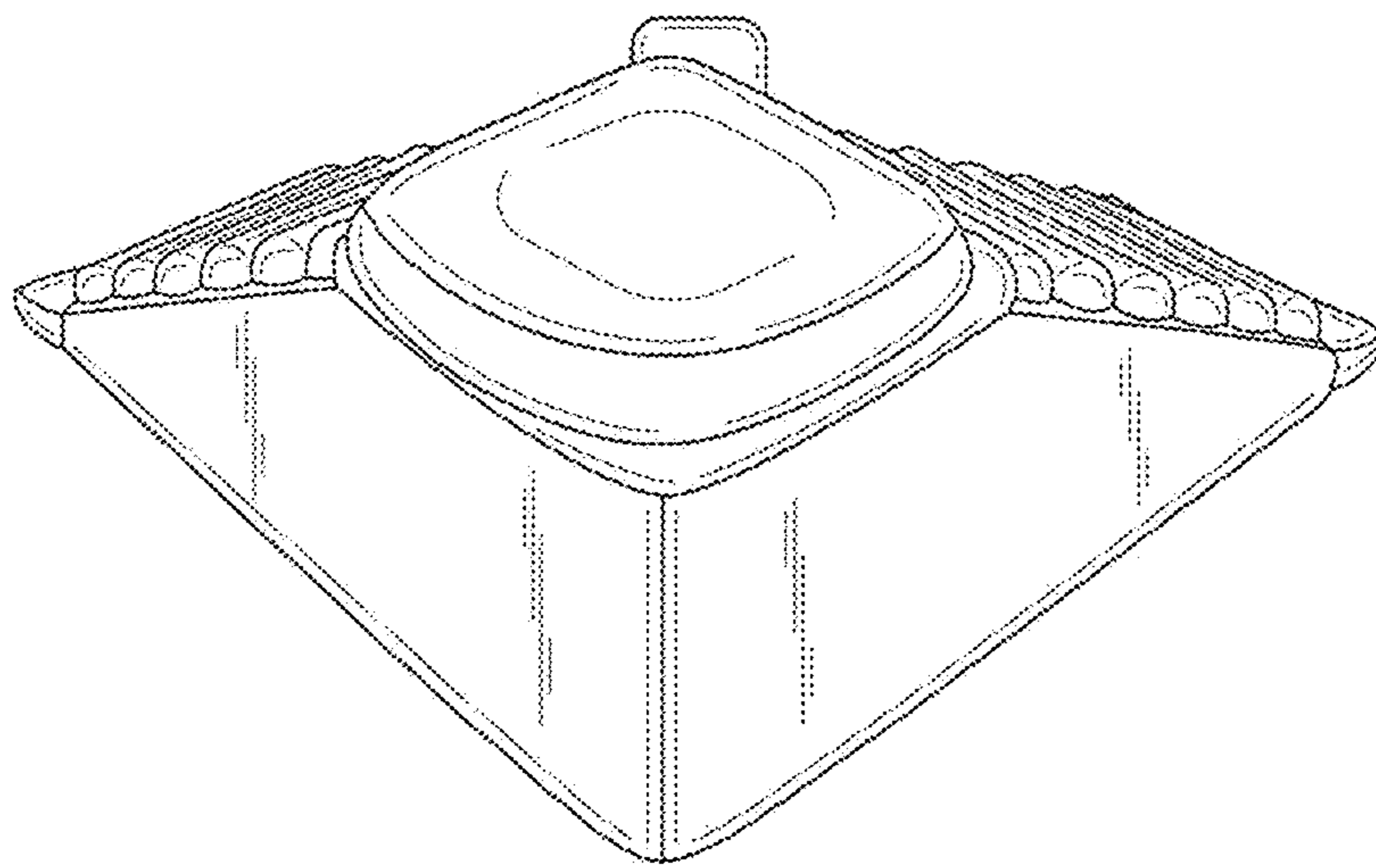


FIG. 2

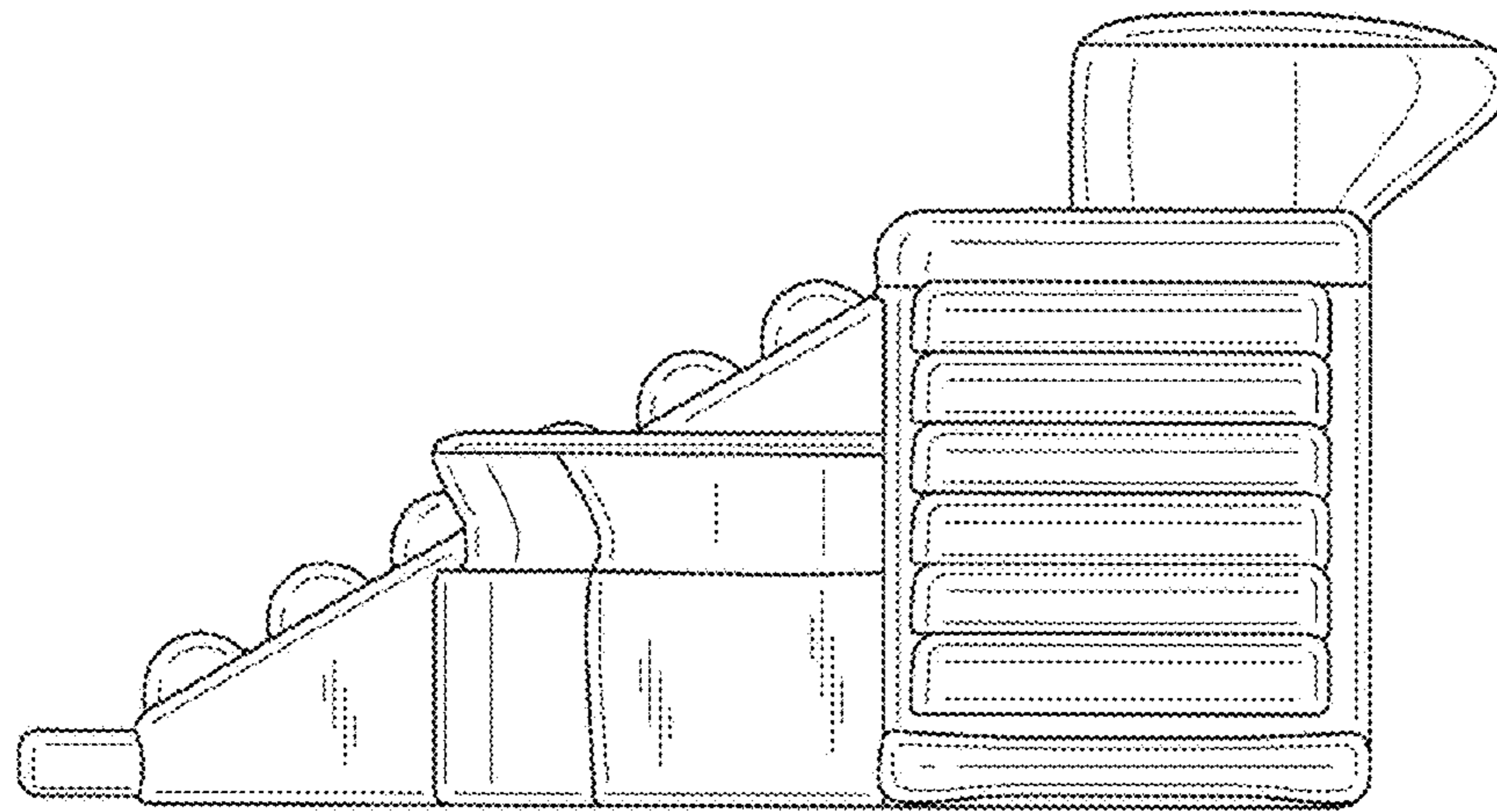


FIG. 3

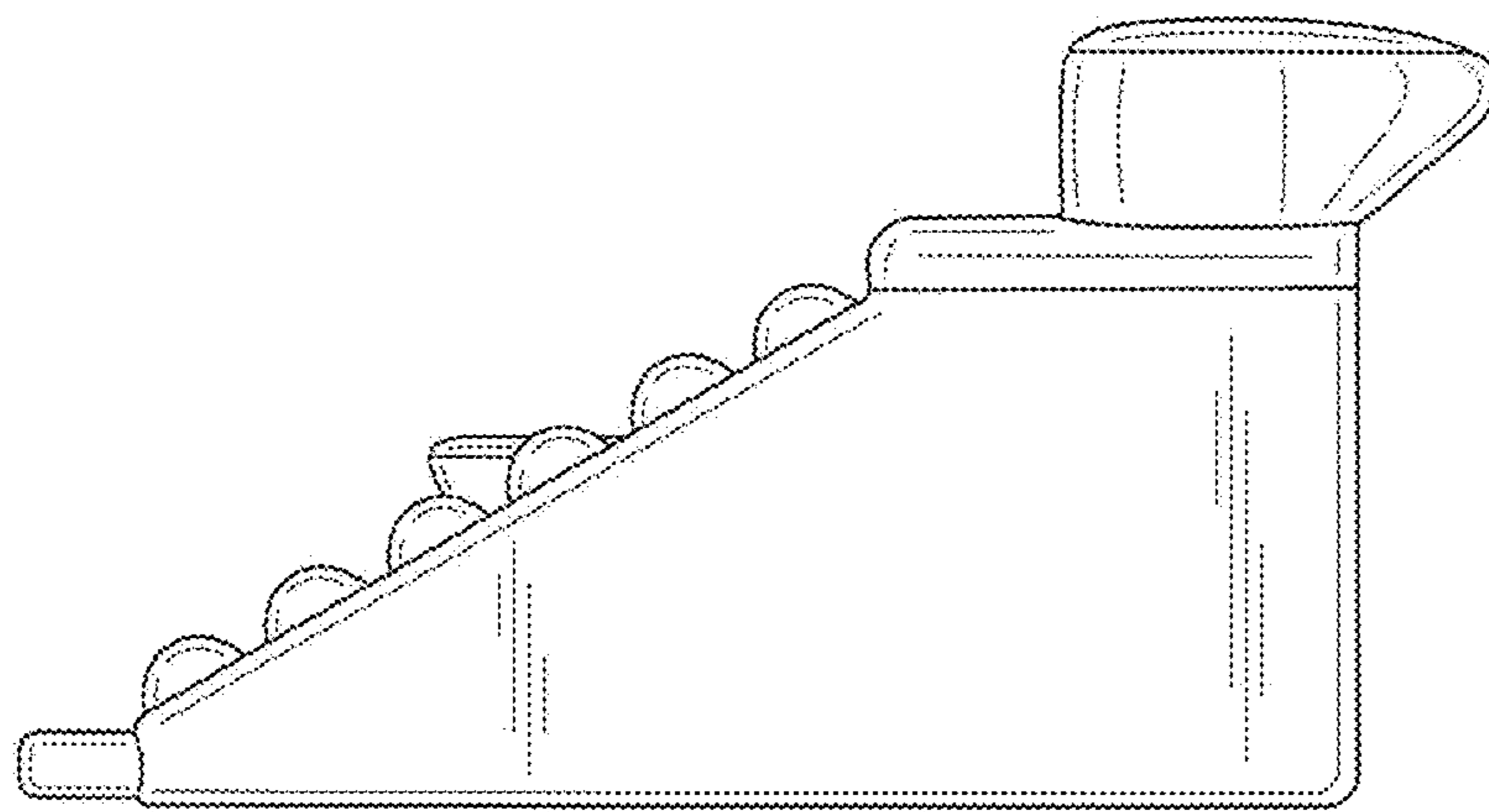


FIG. 4

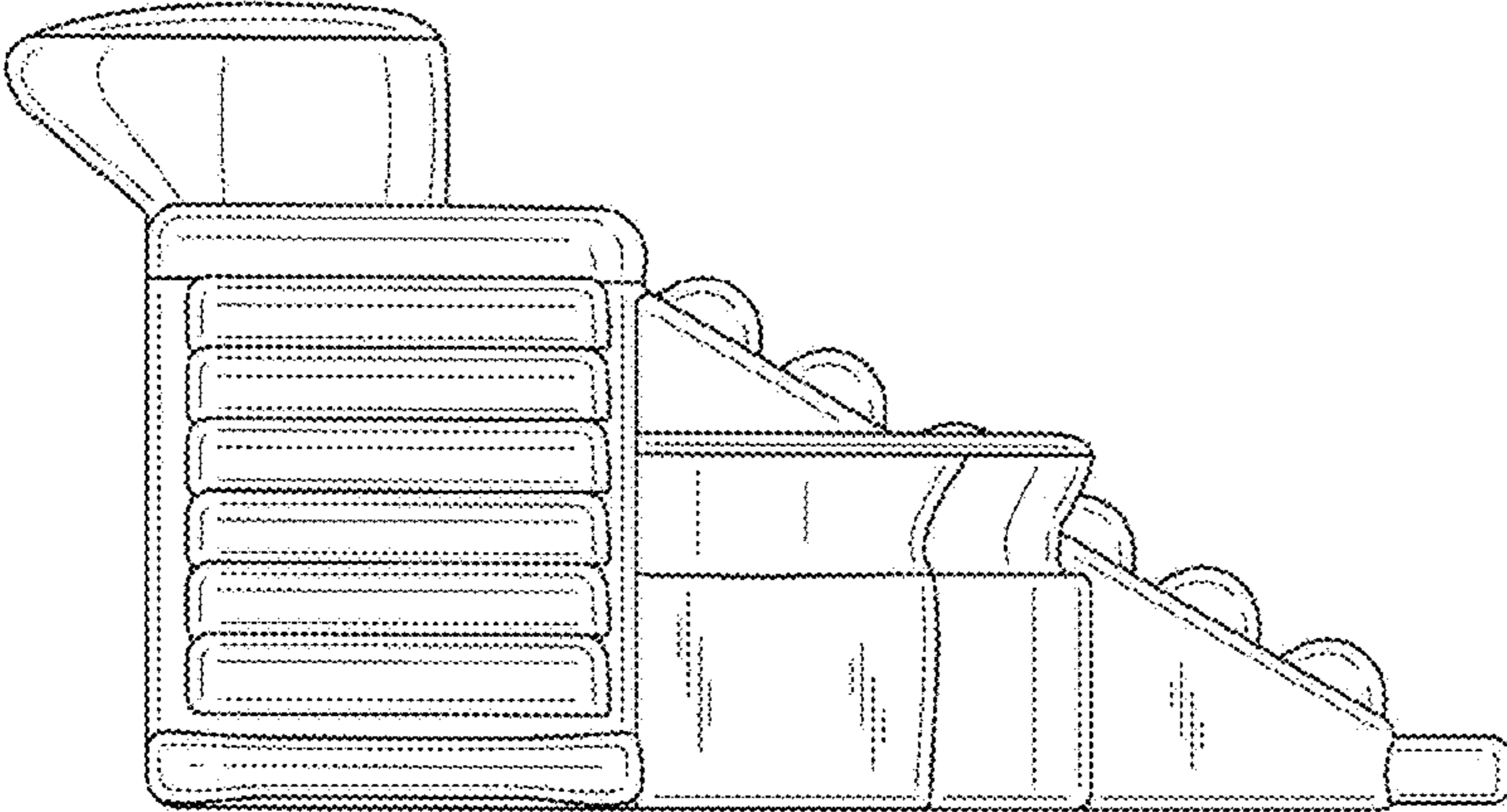


FIG. 5

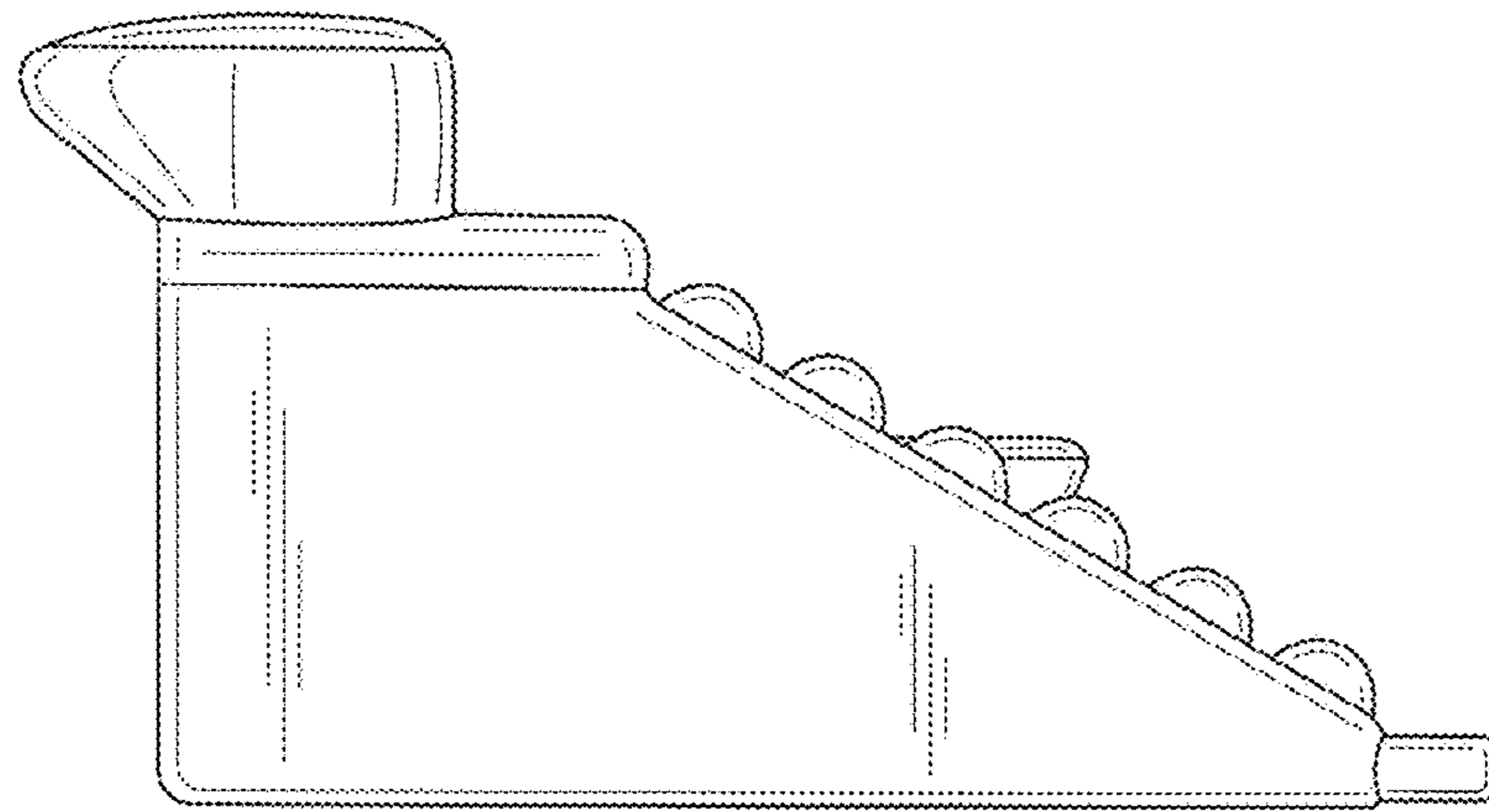


FIG. 6

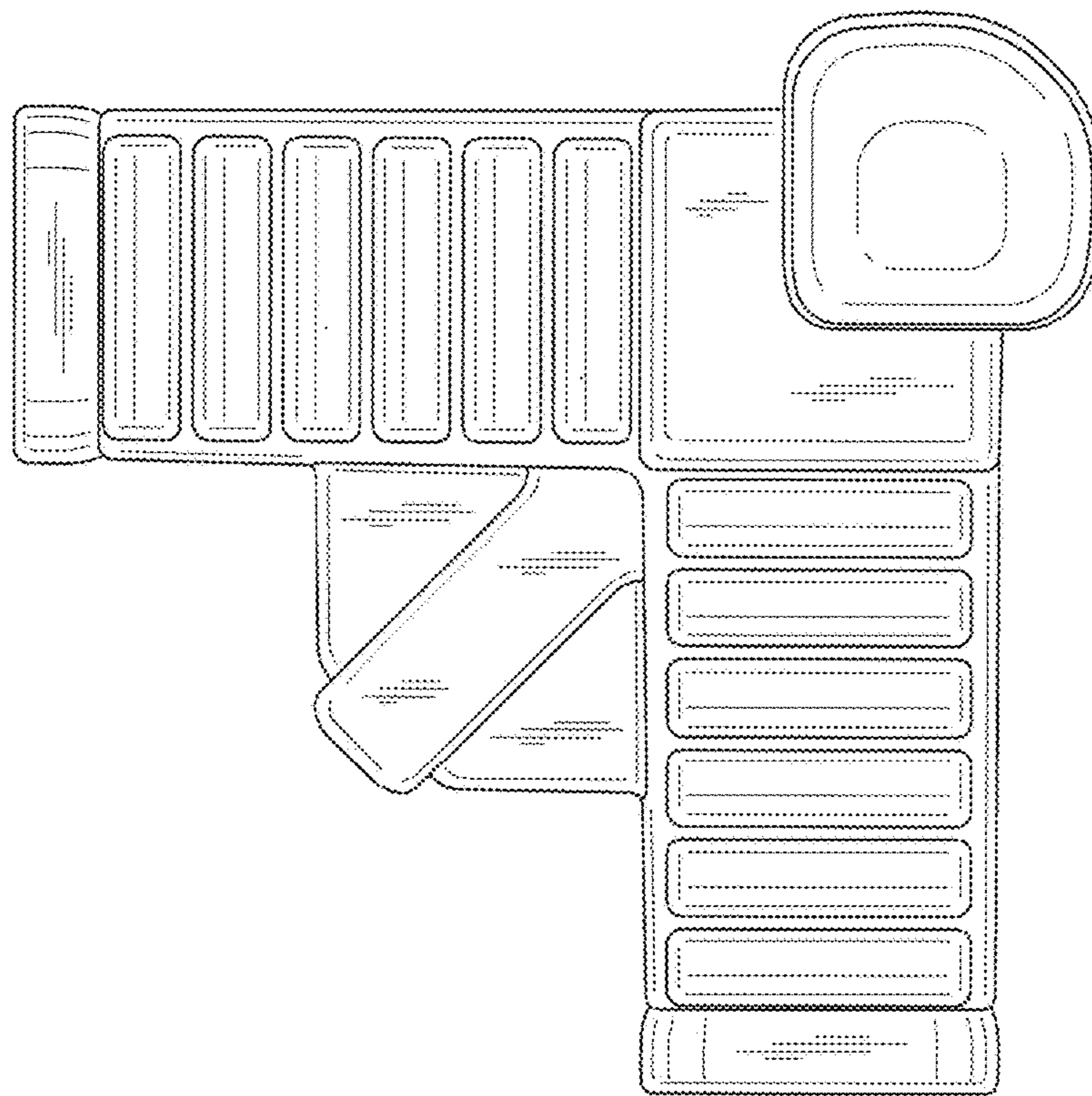


FIG. 7

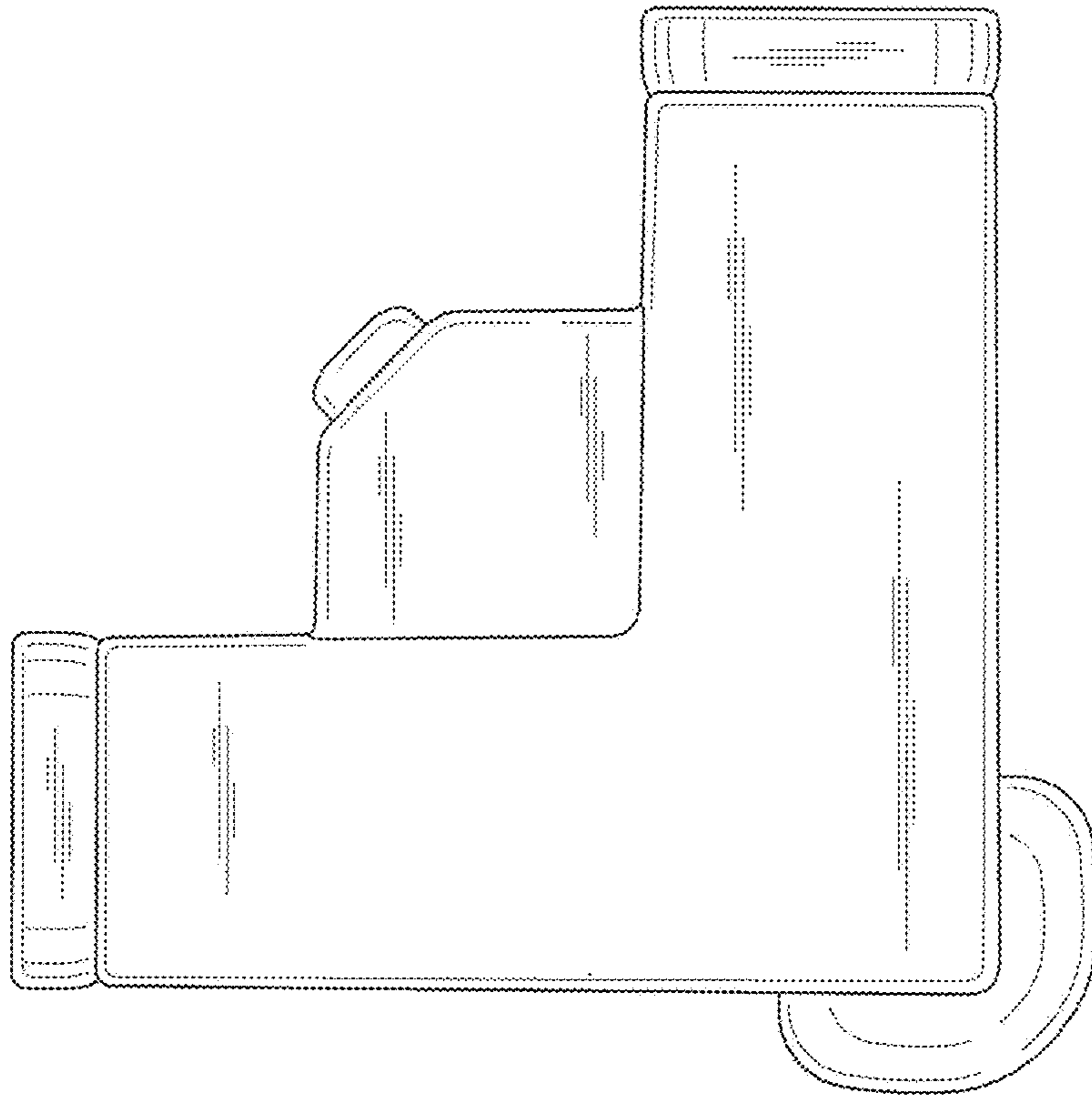


FIG. 8