



US00D861819S

(12) **United States Design Patent**
Whincup et al.

(10) **Patent No.:** **US D861,819 S**

(45) **Date of Patent:** **** Oct. 1, 2019**

(54) **INFLATABLE PLAY PARK**

(71) Applicants: **Robin Whincup**, Port Charlotte, FL
(US); **Michael Robin Whincup**,
Bradenton, FL (US)

(72) Inventors: **Robin Whincup**, Port Charlotte, FL
(US); **Michael Robin Whincup**,
Bradenton, FL (US)

(**) Term: **15 Years**

(21) Appl. No.: **29/647,578**

(22) Filed: **May 14, 2018**

(51) **LOC (12) Cl.** **21-03**

(52) **U.S. Cl.**
USPC **D21/811; D21/835**

(58) **Field of Classification Search**
USPC D21/811, 814, 818-827, 835
CPC A63G 21/00-22; A63G 31/12; A63B 9/00;
A63B 2009/006

See application file for complete search history.

(56) **References Cited**

U.S. PATENT DOCUMENTS

D389,217 S *	1/1998	Rubio	D21/814
D389,219 S *	1/1998	Liu	D21/835
D422,667 S *	4/2000	Lau	D21/814
D423,624 S *	4/2000	Motosko	D21/814
D433,725 S *	11/2000	Chen	D21/797
D437,022 S *	1/2001	Gourchounian	D21/835
D437,023 S *	1/2001	Gourchounian	D21/835
D437,380 S *	2/2001	Gourchounian	D21/835
D439,946 S *	4/2001	Gourchounian	D21/835
D460,141 S *	7/2002	Gourchounian	D21/820
D462,103 S *	8/2002	Chen	482/27
6,565,405 B2 *	5/2003	Hsu	A63B 5/11 446/220
D478,955 S *	8/2003	Chen	D21/797
D511,363 S *	11/2005	Nicholson	D21/818
D556,287 S *	11/2007	Robinson	D21/819

D556,288 S *	11/2007	Robinson	D21/815
D556,849 S *	12/2007	Ferraro, Sr.	D21/815
D592,270 S *	5/2009	Cobb	D21/835
D595,802 S *	7/2009	Boulton	D21/835
D600,769 S *	9/2009	Xiao	D21/820
D600,770 S *	9/2009	Xiao	D21/820
D608,406 S *	1/2010	Cobb, II	D21/835
D627,848 S *	11/2010	Cline	D21/814
7,878,877 B2 *	2/2011	Scherba	A63G 9/00 446/220
D639,886 S *	6/2011	Cirjak	D21/811
D639,887 S *	6/2011	Cirjak	D21/818
D680,184 S *	4/2013	O'Rourke	D21/835

(Continued)

OTHER PUBLICATIONS

Galaxy Multi Rides Brochure, screen shots from video, 2017, 13 pages.

Primary Examiner — Mitchell I. Siegel

(74) *Attorney, Agent, or Firm* — Christensen O'Connor Johnson Kindness PLLC

(57) **CLAIM**

We claim the ornamental design for an inflatable play park, as shown and described.

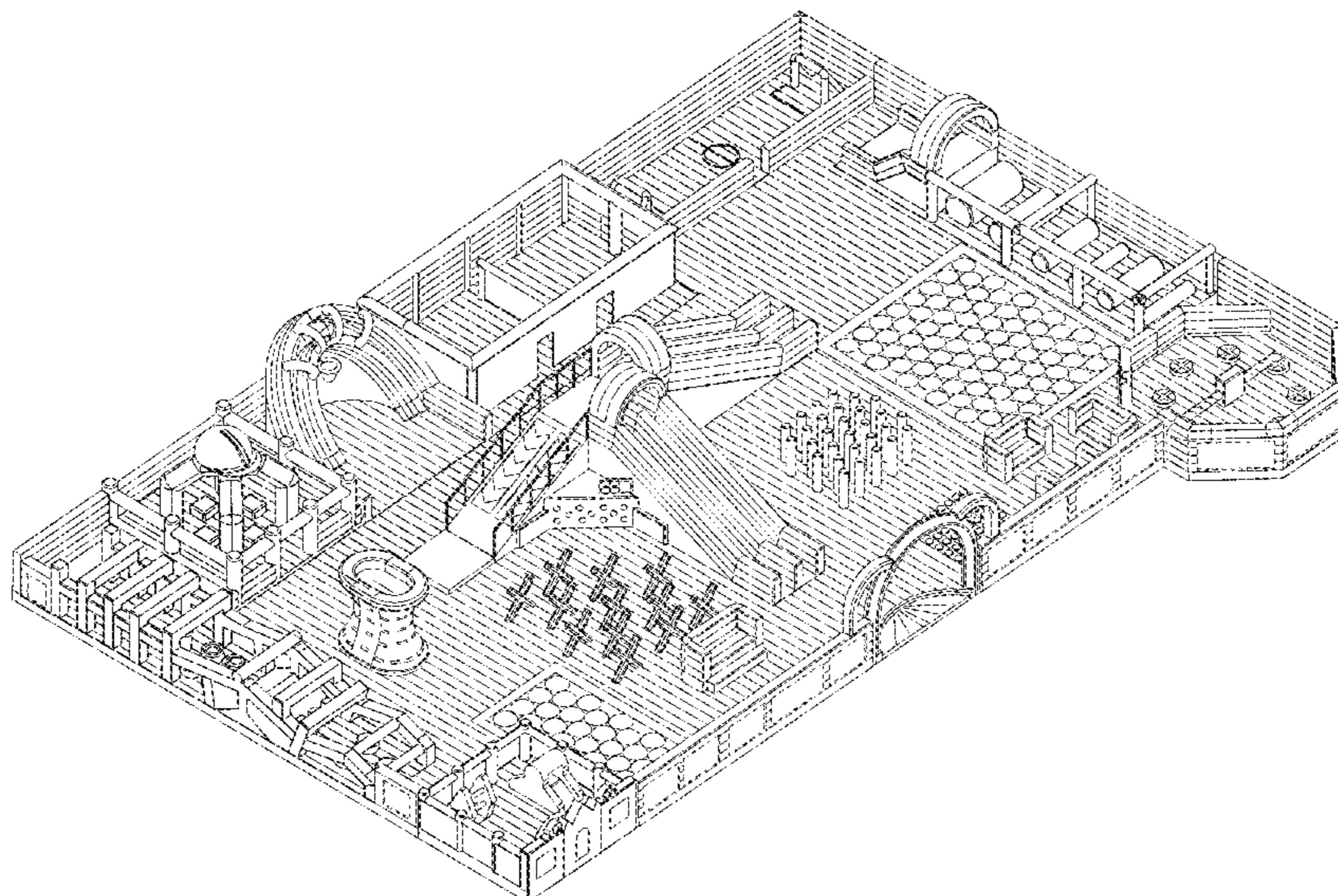
DESCRIPTION

FIG. 1 is a top perspective view of an inflatable play park; FIG. 2 is a front elevation view thereof; FIG. 3 is a rear elevation view thereof; FIG. 4 is a top plan view thereof; FIG. 5 is a left side elevation view thereof; and, FIG. 6 is a right side elevation view thereof.

The broken lines are included for the purpose of illustrating unclaimed subject matter and forms no part of the claimed design.

The undisclosed bottom surface of the inflatable play park forms no part of the claimed design.

1 Claim, 4 Drawing Sheets



(56)

References Cited

U.S. PATENT DOCUMENTS

D732,132 S *	6/2015	Seubert	D21/811
D744,053 S *	11/2015	Cirjak	D21/835
D762,800 S *	8/2016	Scherba	D21/811
D762,801 S *	8/2016	Scherba	D21/811
D803,340 S *	11/2017	Scherba	D21/814
D815,709 S *	4/2018	Wang	D21/818
D822,140 S *	7/2018	Hsu	D21/835
D822,782 S *	7/2018	Wang	D21/820
D823,418 S *	7/2018	Bagumyan	D21/833
D824,471 S *	7/2018	Bagumyan	D21/818
D825,016 S *	8/2018	Wang	D21/818
2015/0111655 A1 *	4/2015	Coleman	A63G 31/12 472/134

* cited by examiner

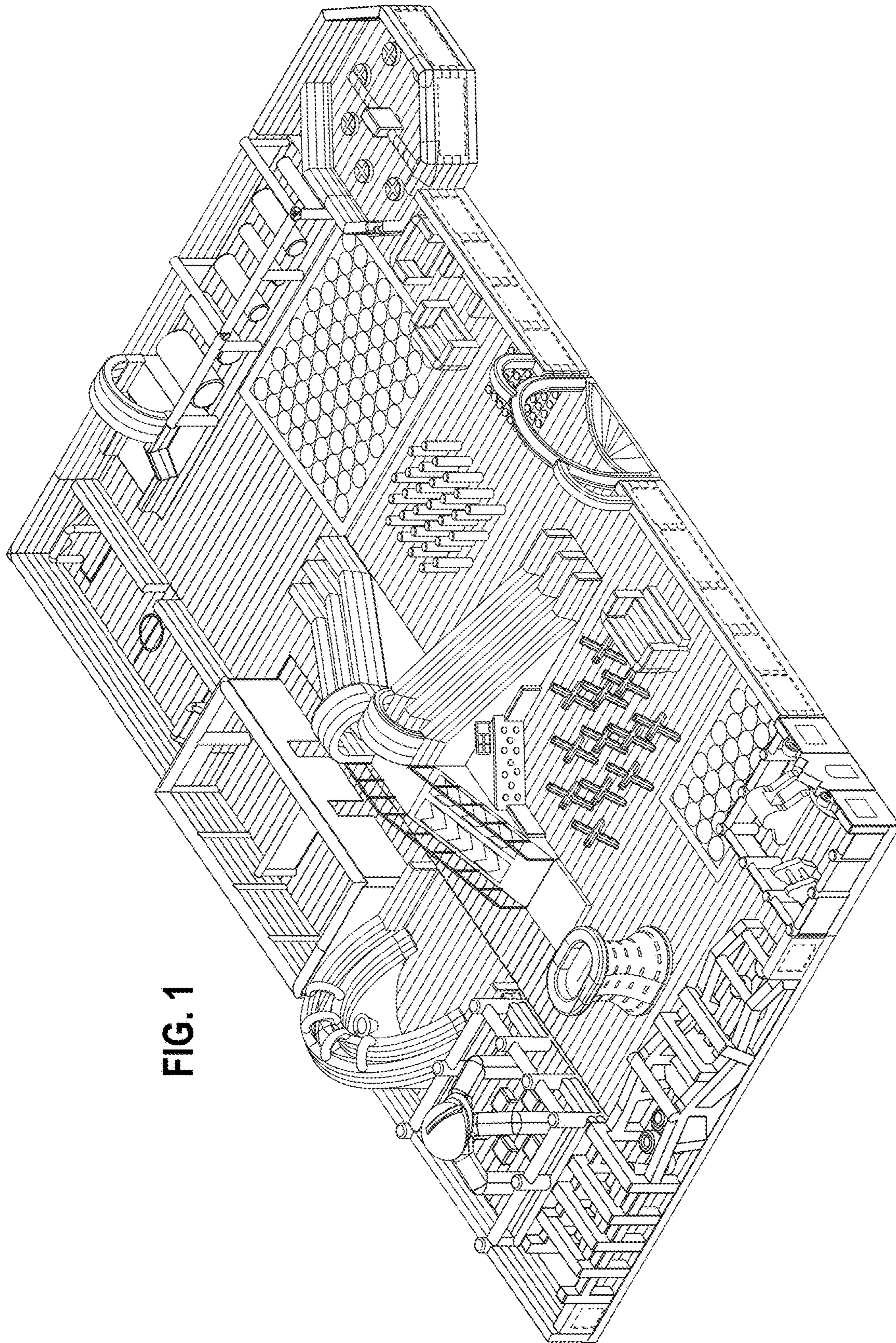


FIG. 1

FIG. 2

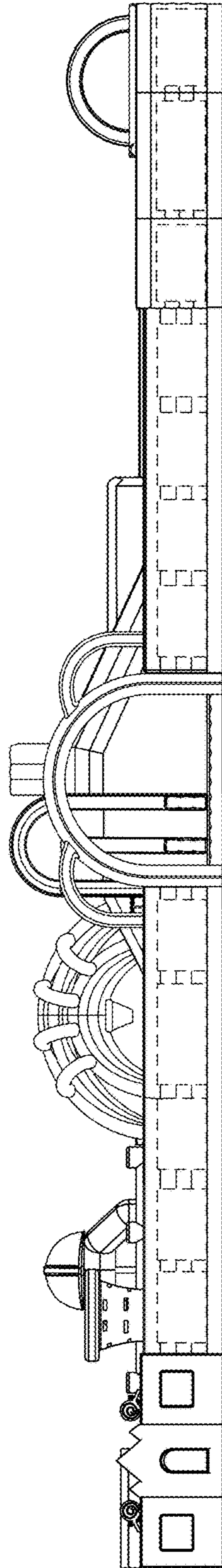


FIG. 3

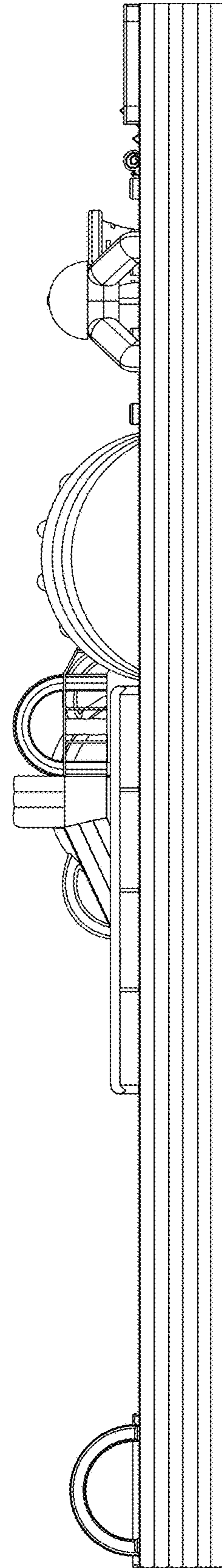


FIG. 4

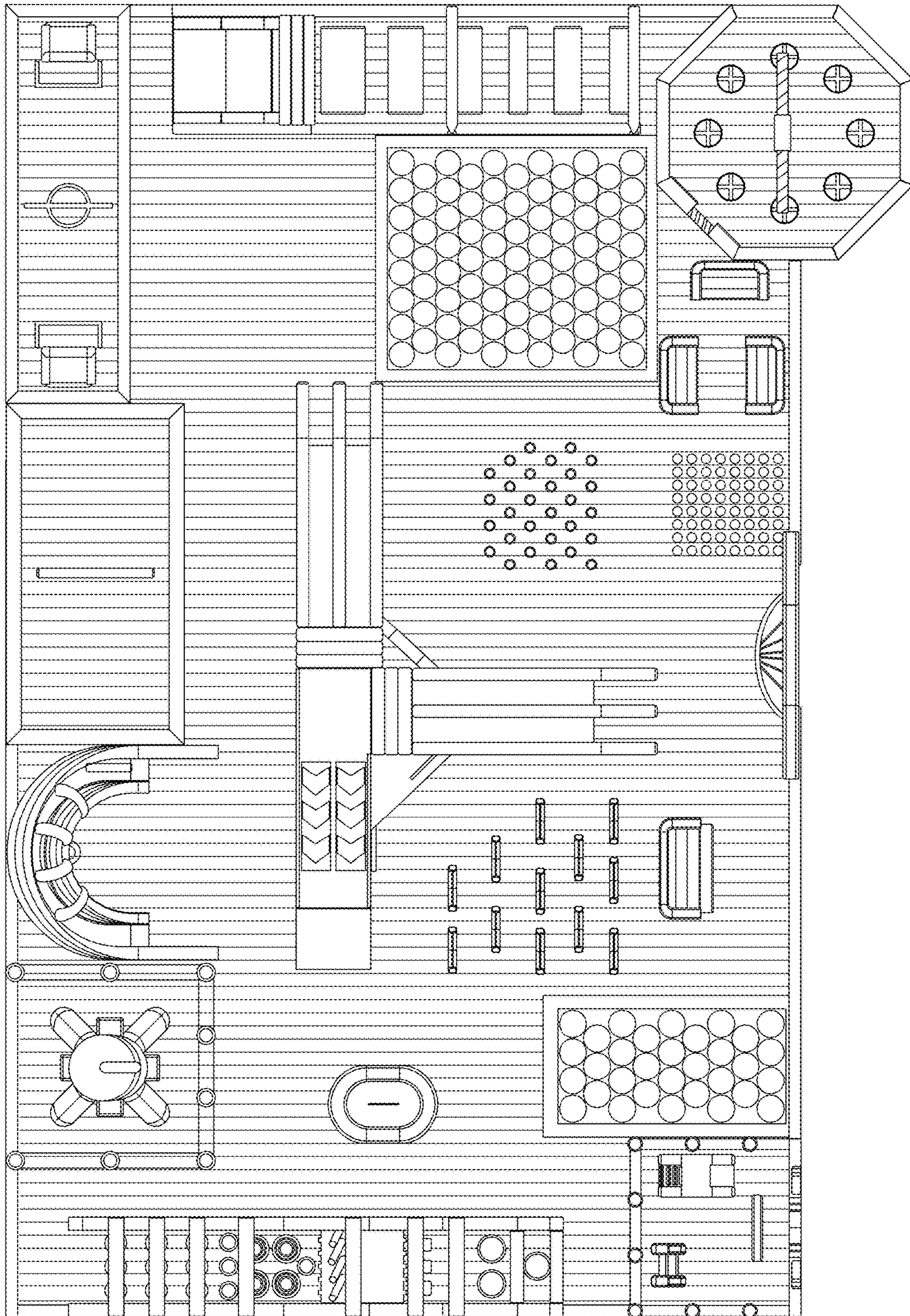


FIG. 5

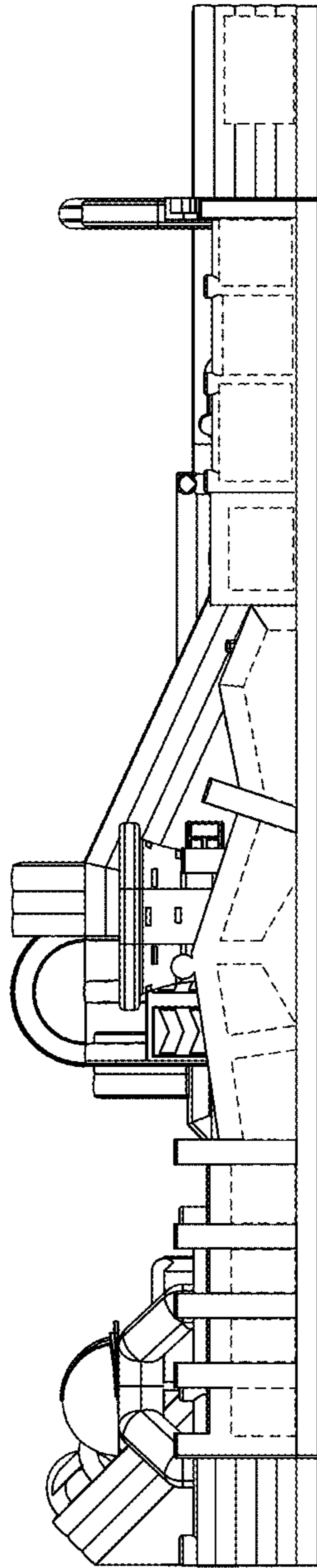


FIG. 6

