



US00D861818S

(12) **United States Design Patent**
Lau

(10) **Patent No.:** **US D861,818 S**

(45) **Date of Patent:** **** Oct. 1, 2019**

(54) **FLOATING ISLAND**

(71) Applicant: **Sun Pleasure Company Limited**, San Po Kong, Kowloon (HK)

(72) Inventor: **Vincent W. S. Lau**, Kowloon (HK)

(73) Assignee: **Sun Pleasure Company, Ltd.**, Hong Kong (HK)

(**) Term: **15 Years**

(21) Appl. No.: **29/645,382**

(22) Filed: **Apr. 25, 2018**

(51) **LOC (12) Cl.** **21-02**

(52) **U.S. Cl.**
USPC **D21/808**

(58) **Field of Classification Search**
USPC D6/597-599, 601; D12/316; D21/803,
D21/805-806, 808, 809
CPC .. A63B 21/4005; A47C 15/006; A47C 15/008
See application file for complete search history.

(56) **References Cited**

U.S. PATENT DOCUMENTS

D291,687 S	*	9/1987	Wolfe	D12/316
D291,688 S	*	9/1987	Wolfe	D12/316
D291,716 S	*	9/1987	Wolfe	D21/619
D301,910 S	*	6/1989	Wolfe	D21/808
D302,718 S	*	8/1989	Wolfe	D21/808
D302,996 S	*	8/1989	Wolfe	D21/808
D341,168 S	*	11/1993	Martin	D21/429
D472,944 S	*	4/2003	Jacobs	D21/576
D680,787 S	*	4/2013	Diaz	D21/620
D705,375 S	*	5/2014	Rubey	D21/803

D783,370 S	*	4/2017	Su	D21/808
D787,617 S	*	5/2017	Krepack	D21/808
D806,815 S	*	1/2018	Su	D21/808

OTHER PUBLICATIONS

Huge inflatable unicorn 6 persons party island (unicorn): Published Mar. 13, 2018 [online], site visited Jan. 30, 2019]. Available from Internet URL: <https://www.amazon.de/Riesige-aufblasbare-Einhorn-Personen-Party/dp/B07BFHBQ9N>.*

Giant Unicorn Pool Float, Inflatable Candy Pegasus Floting Toy Reviews: Published Aug. 9, 2016 [online], site visited May 2, 2019. Available from Internet URL: <https://www.youtube.com/watch?v=VaM1U1h5Yto> (Year: 2016).*

* cited by examiner

Primary Examiner — Jack Reickel

Assistant Examiner — Melvin L Davis

(74) *Attorney, Agent, or Firm* — Raymond Sun

(57) **CLAIM**

The ornamental design for a floating island, as shown and described.

DESCRIPTION

FIG. 1 is a front perspective view of a floating island showing my new design.

FIG. 2 is a front view thereof.

FIG. 3 is a rear view thereof.

FIG. 4 is a left view thereof.

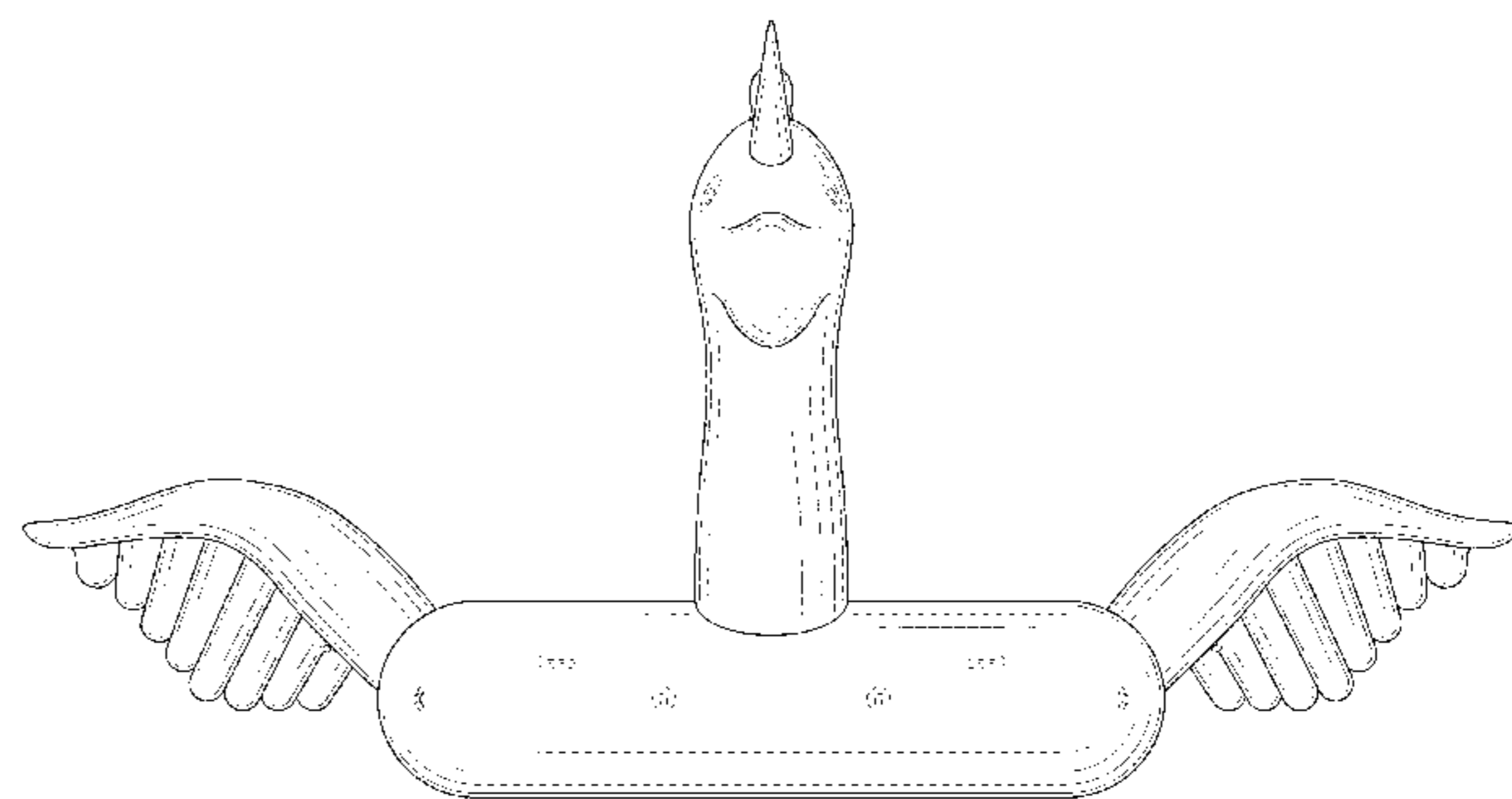
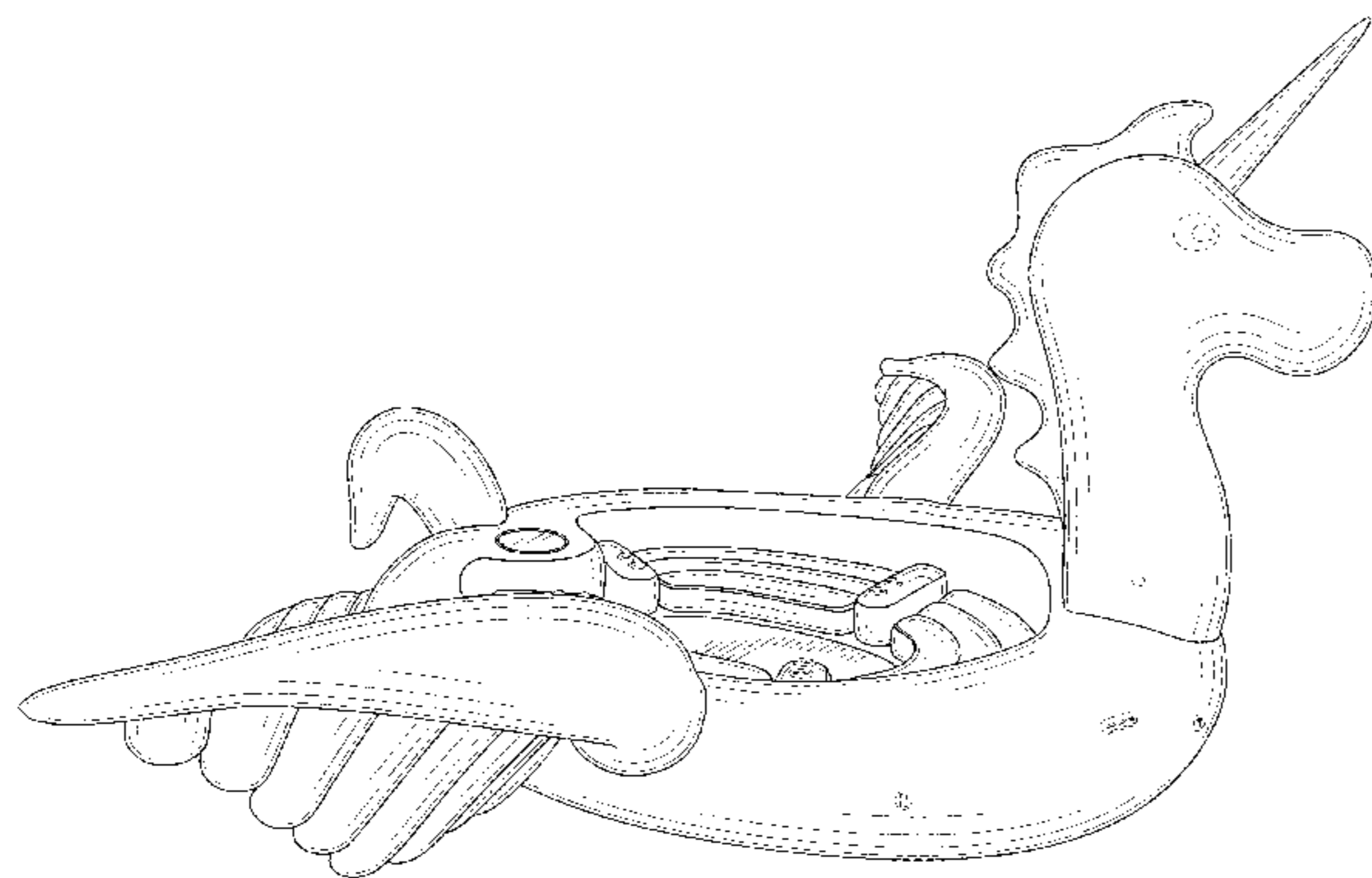
FIG. 5 is a right view thereof.

FIG. 6 is a top view thereof; and,

FIG. 7 is a bottom view thereof.

The broken lines shown in the figures represent portions of the floating island that form no part of the claimed design.

1 Claim, 7 Drawing Sheets



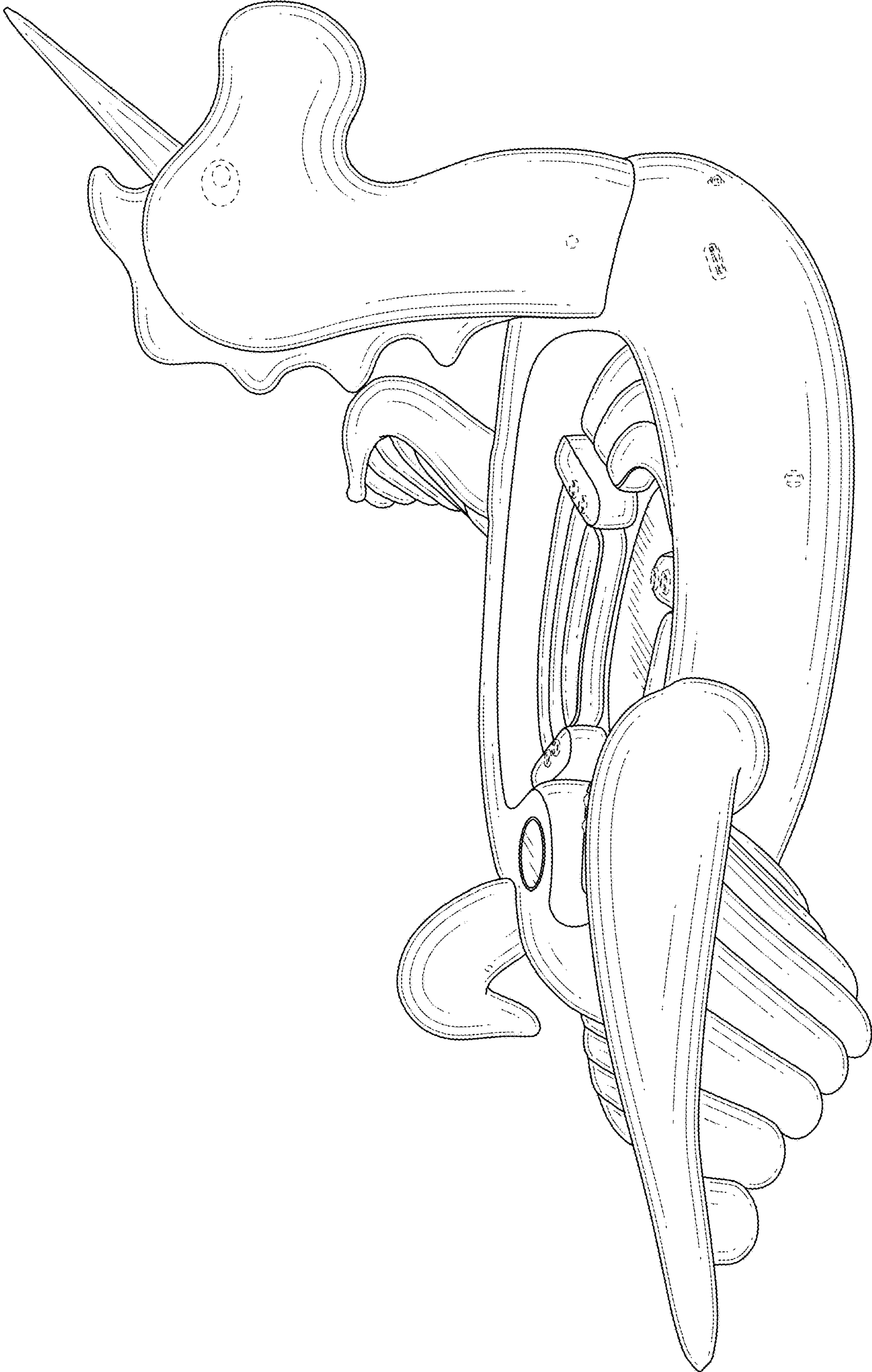


FIG.1

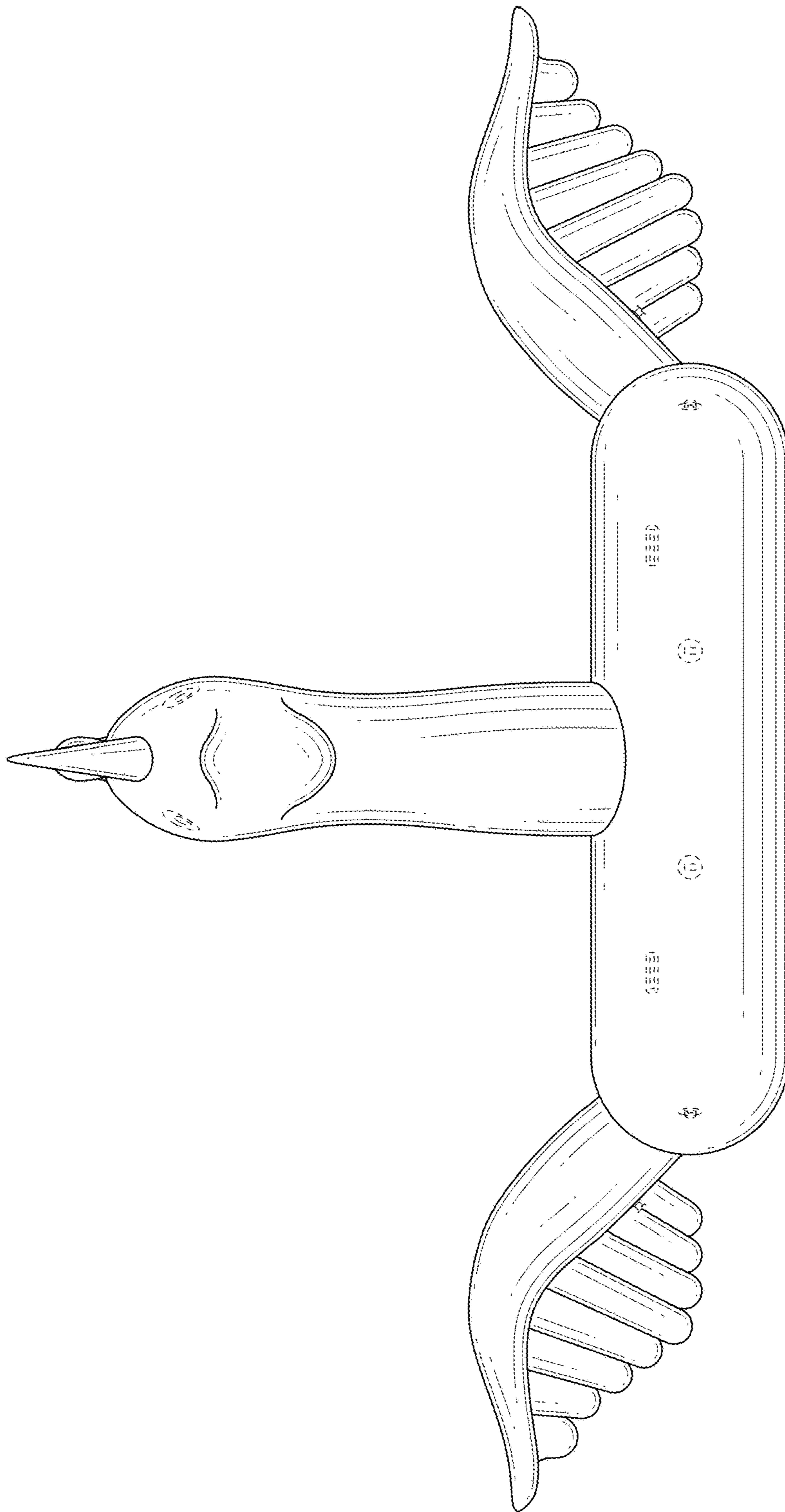


FIG. 2

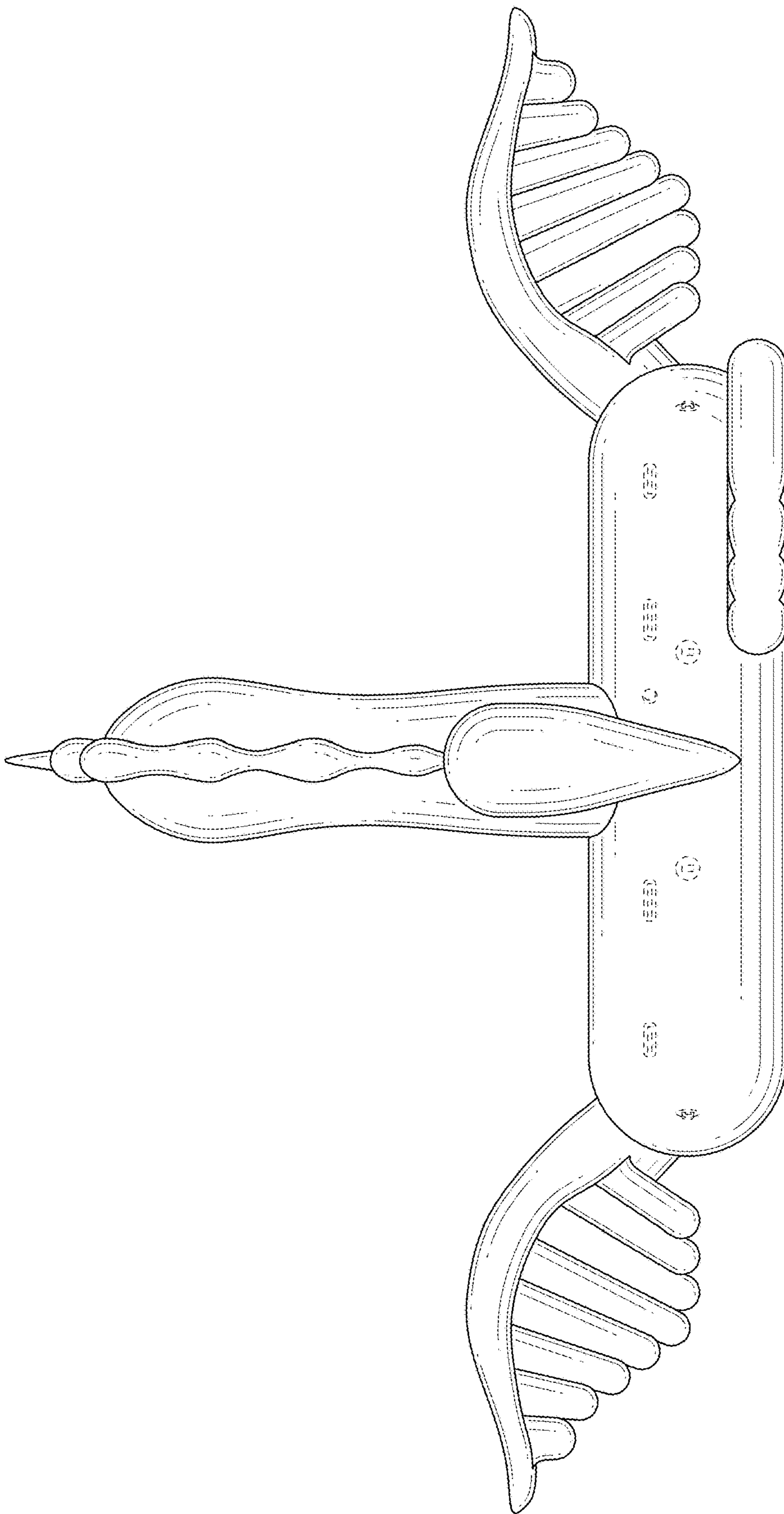


FIG. 3

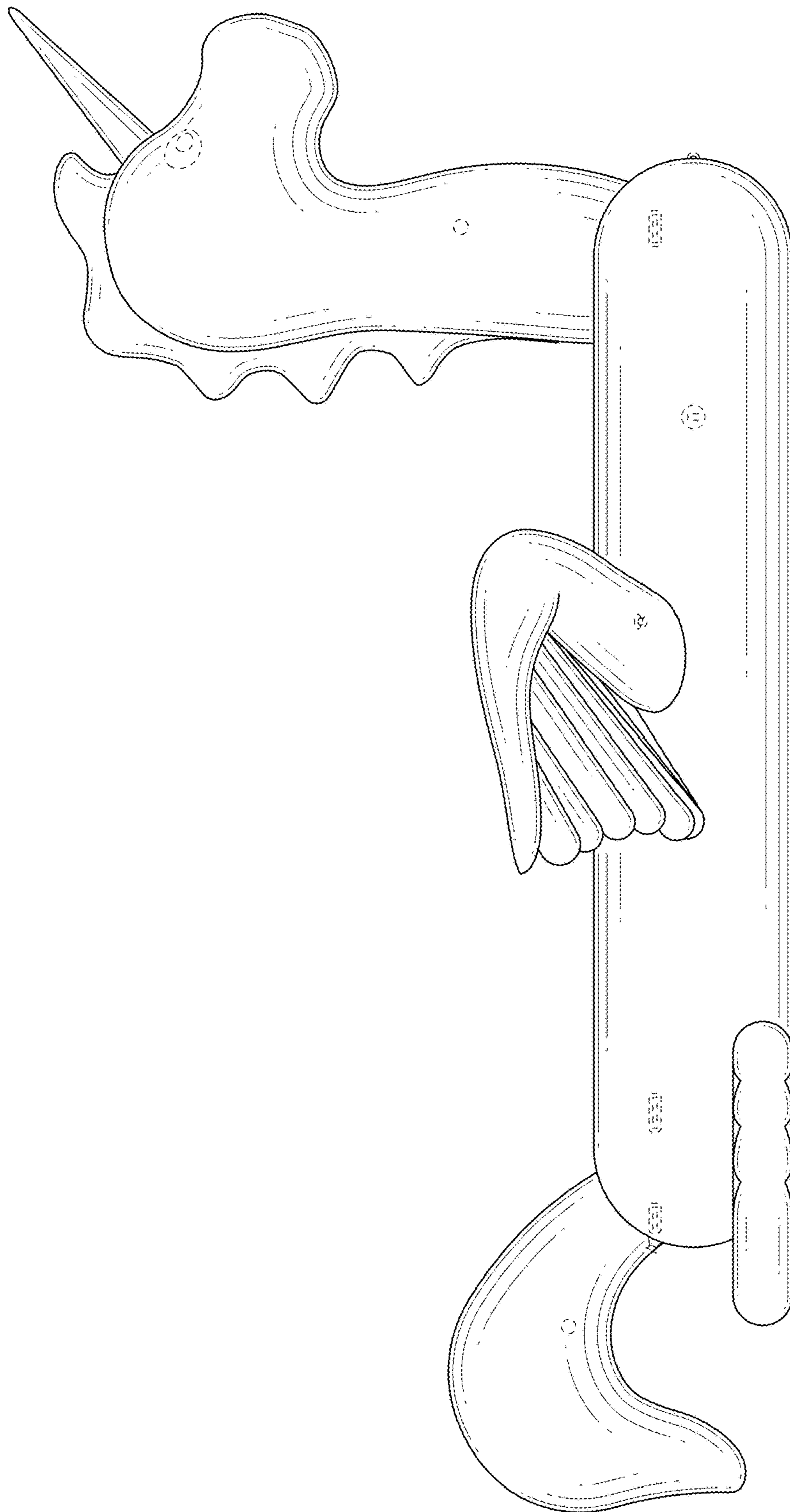


FIG.4

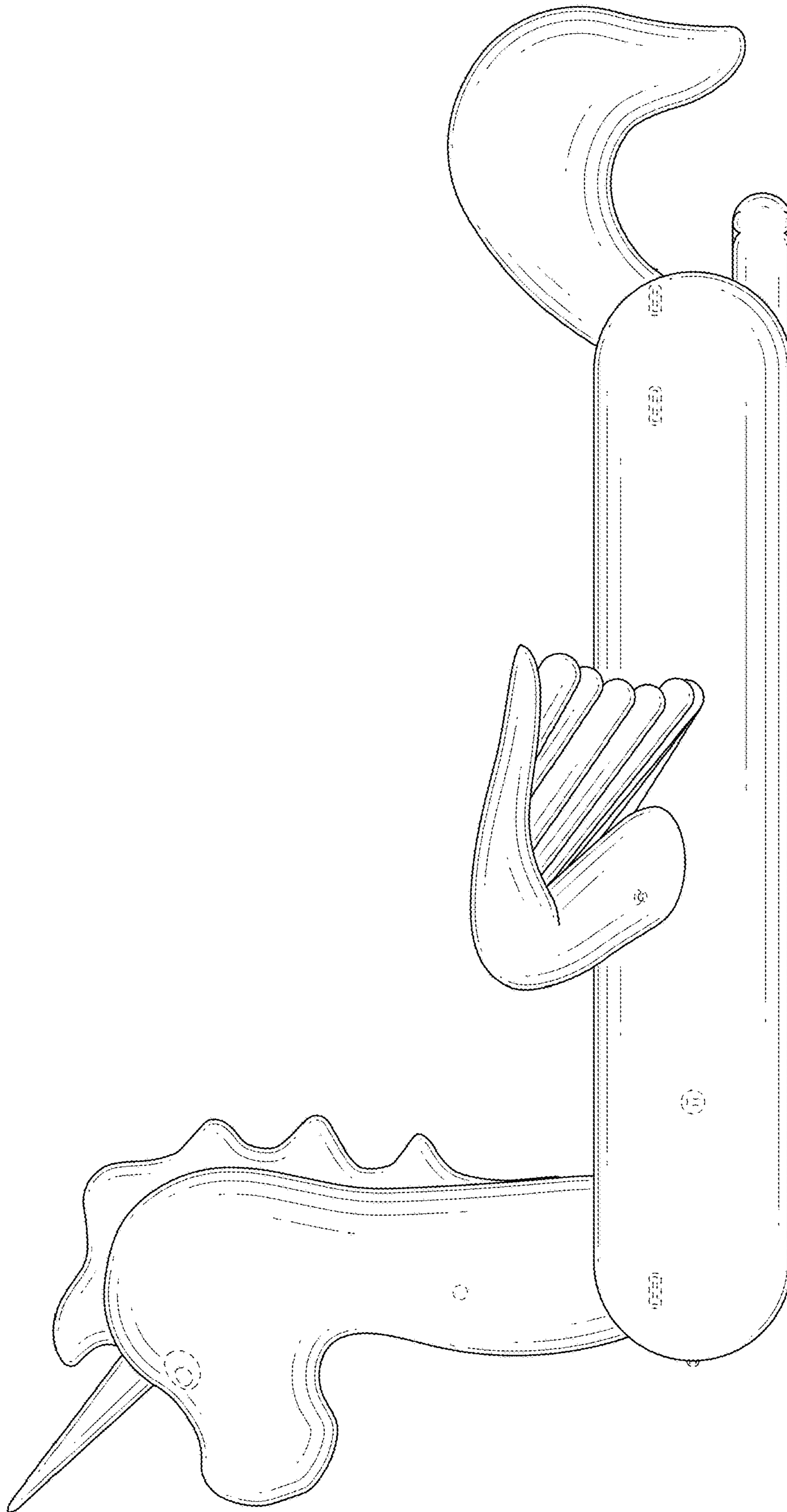


FIG. 5

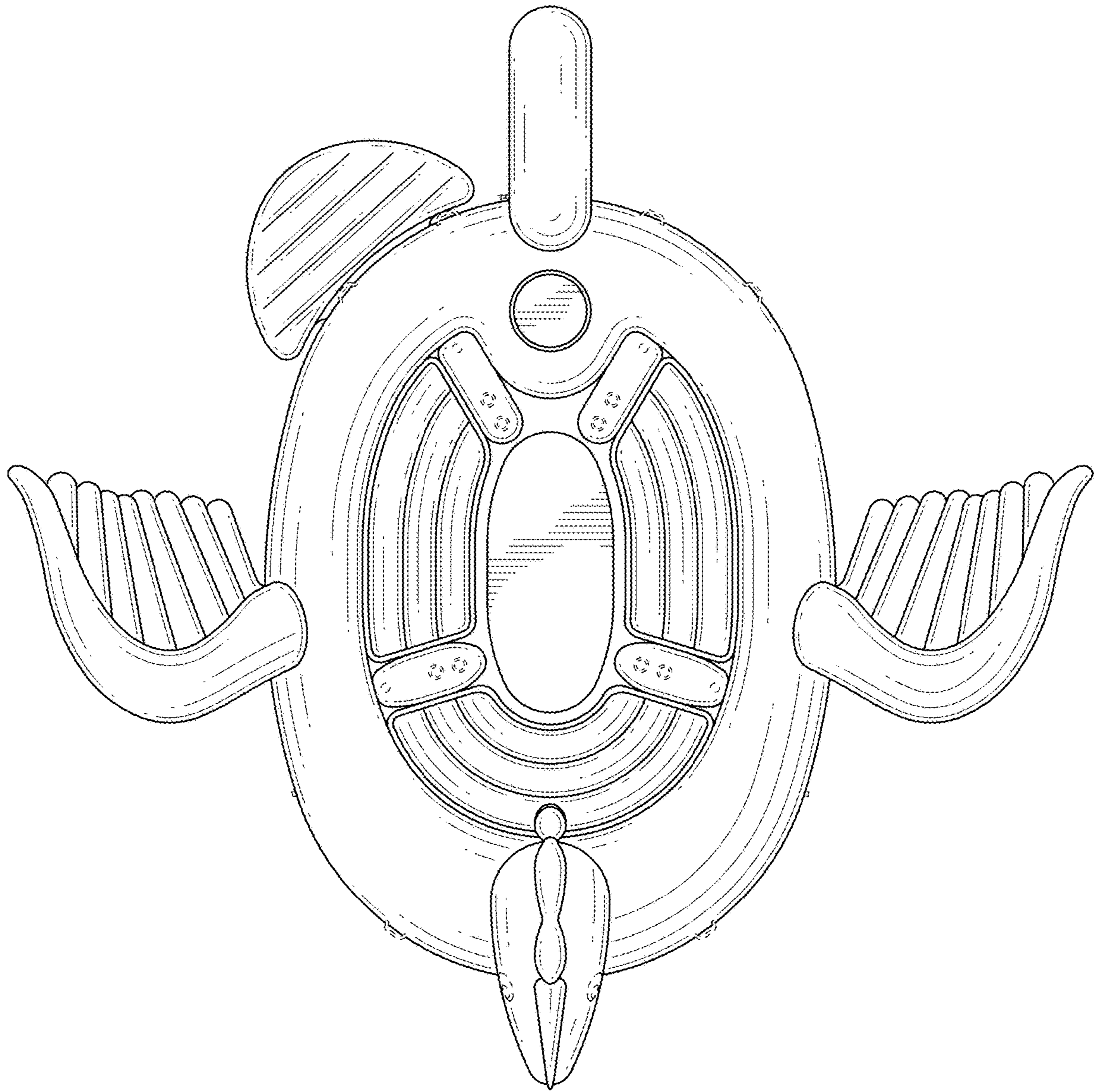


FIG. 6

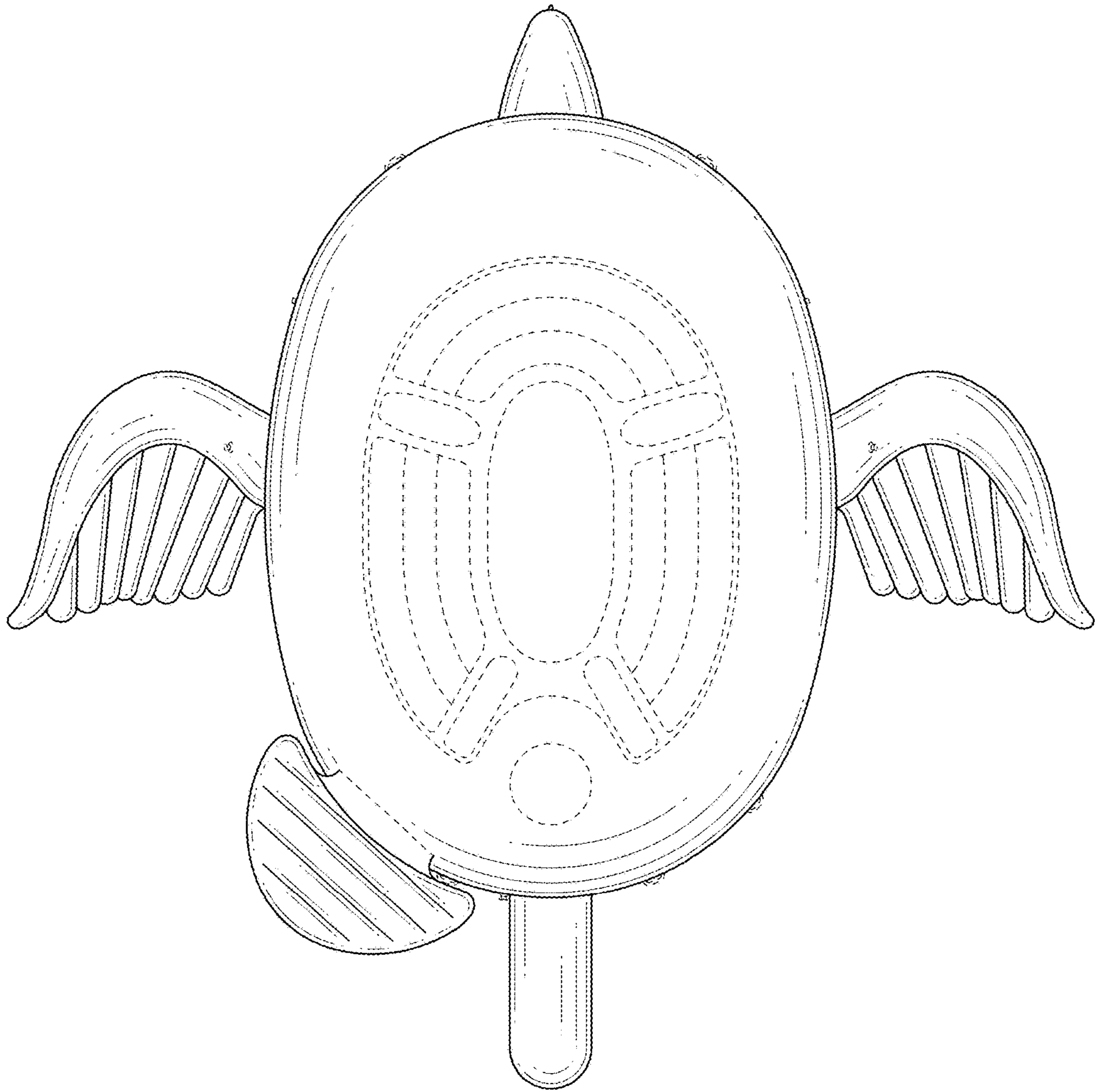


FIG. 7