



US00D861816S

(12) **United States Design Patent**
Hsu et al.

(10) **Patent No.:** **US D861,816 S**

(45) **Date of Patent:** **** Oct. 1, 2019**

(54) **INFLATABLE U-SHAPED CHAIR**
(71) Applicant: **Intex Marketing Ltd.**, Tortola (VG)
(72) Inventors: **Yaw Yuan Hsu**, Fujian (CN); **Kun Chao Hsu**, Fujian (CN)
(73) Assignee: **Intex Marketing Ltd.**, Tortola (VG)
(**) Term: **15 Years**

D531,250 S * 10/2006 Peterson D21/809
8,366,502 B2 * 2/2013 Lin B63B 35/73
441/129
D711,488 S 8/2014 Lau
D719,630 S 12/2014 Berenson
D766,393 S * 9/2016 Lau D21/803
D794,738 S 8/2017 Peterson
D803,965 S 8/2017 Peterson
D816,179 S 4/2018 de Grasse

(Continued)

(21) Appl. No.: **29/655,741**

(22) Filed: **Jul. 6, 2018**

(30) **Foreign Application Priority Data**

Jan. 10, 2018 (CN) 2018 3 001553

(51) **LOC (12) Cl.** **21-02**

(52) **U.S. Cl.**
USPC **D21/803**

(58) **Field of Classification Search**
USPC D6/597-599, 601; D12/316; D21/803,
D21/805, 806, 808, 809; D24/193-195
CPC A47D 15/001
See application file for complete search history.

(56) **References Cited**

U.S. PATENT DOCUMENTS

D306,474 S * 3/1990 Scheurer D21/809
D308,403 S * 6/1990 LaForce, Jr. D12/316
D313,452 S * 1/1991 Overton D12/316
D349,145 S * 7/1994 Haughey D21/809
D371,252 S 7/1996 Chaput
D384,721 S * 10/1997 Peterson D21/809
D407,230 S 3/1999 Lieberman
D466,176 S * 11/2002 Peterson D21/803
D485,593 S 1/2004 Muci
D490,493 S 1/2004 Muci
D490,134 S 5/2004 Peterson
D501,112 S * 1/2005 Kasatshko D21/809
D513,915 S * 1/2006 Jacklin D21/809

OTHER PUBLICATIONS

Swimline Kickback Double Adjustable Pool Lounge Solstice :
Published Jul. 23, 2016 [online], site visited Apr. 23, 2019. Avail-
able from Internet URL:https://www.amazon.com/dp/B0050CZ5OO/
ref=cm_sw_r_tw_dp_U_x_YX2VCb0WGMM6H (Year: 2016).*

(Continued)

Primary Examiner — Jack Reickel

Assistant Examiner — Melvin L Davis

(74) *Attorney, Agent, or Firm* — Faegre Baker Daniels
LLP

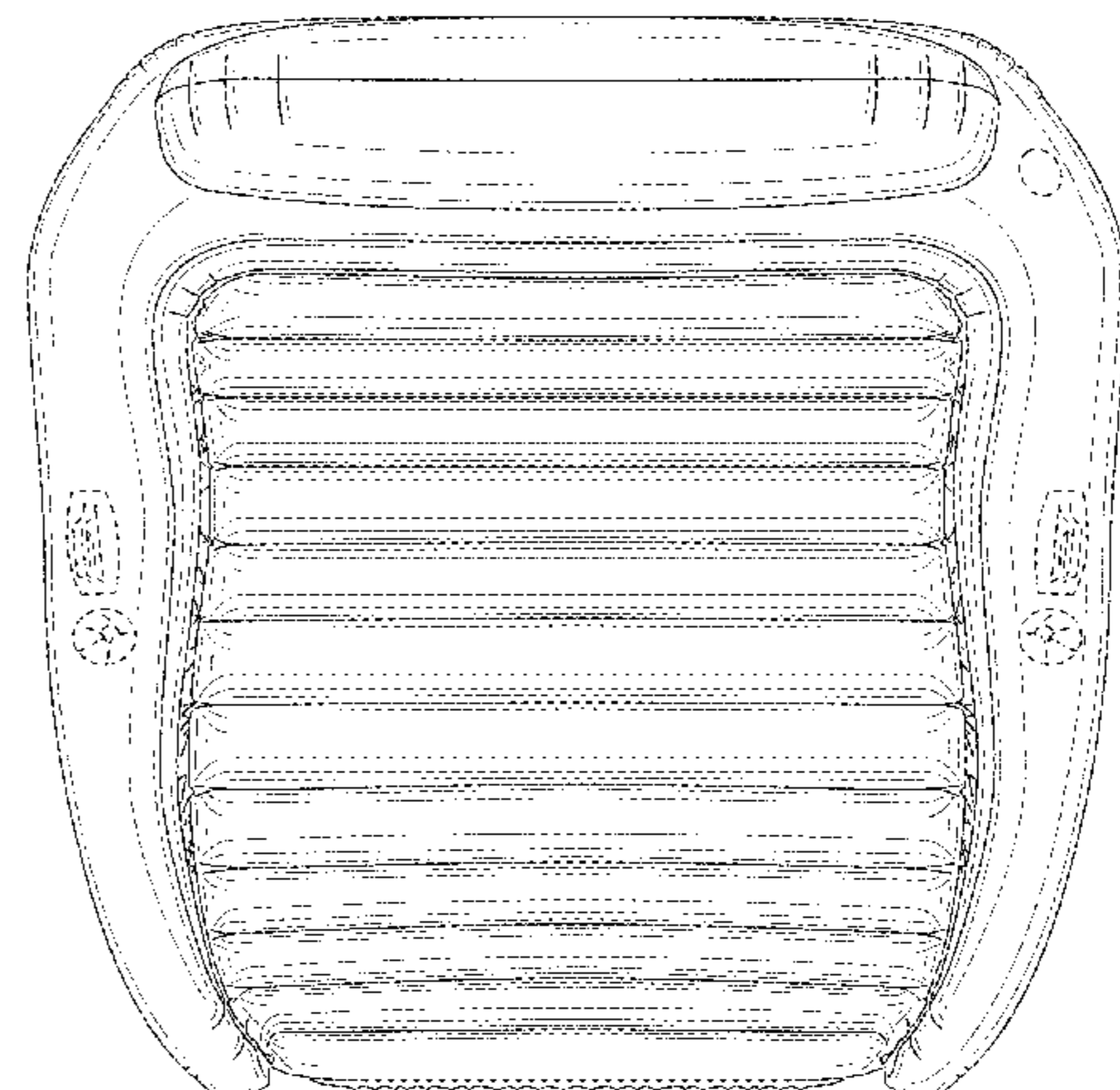
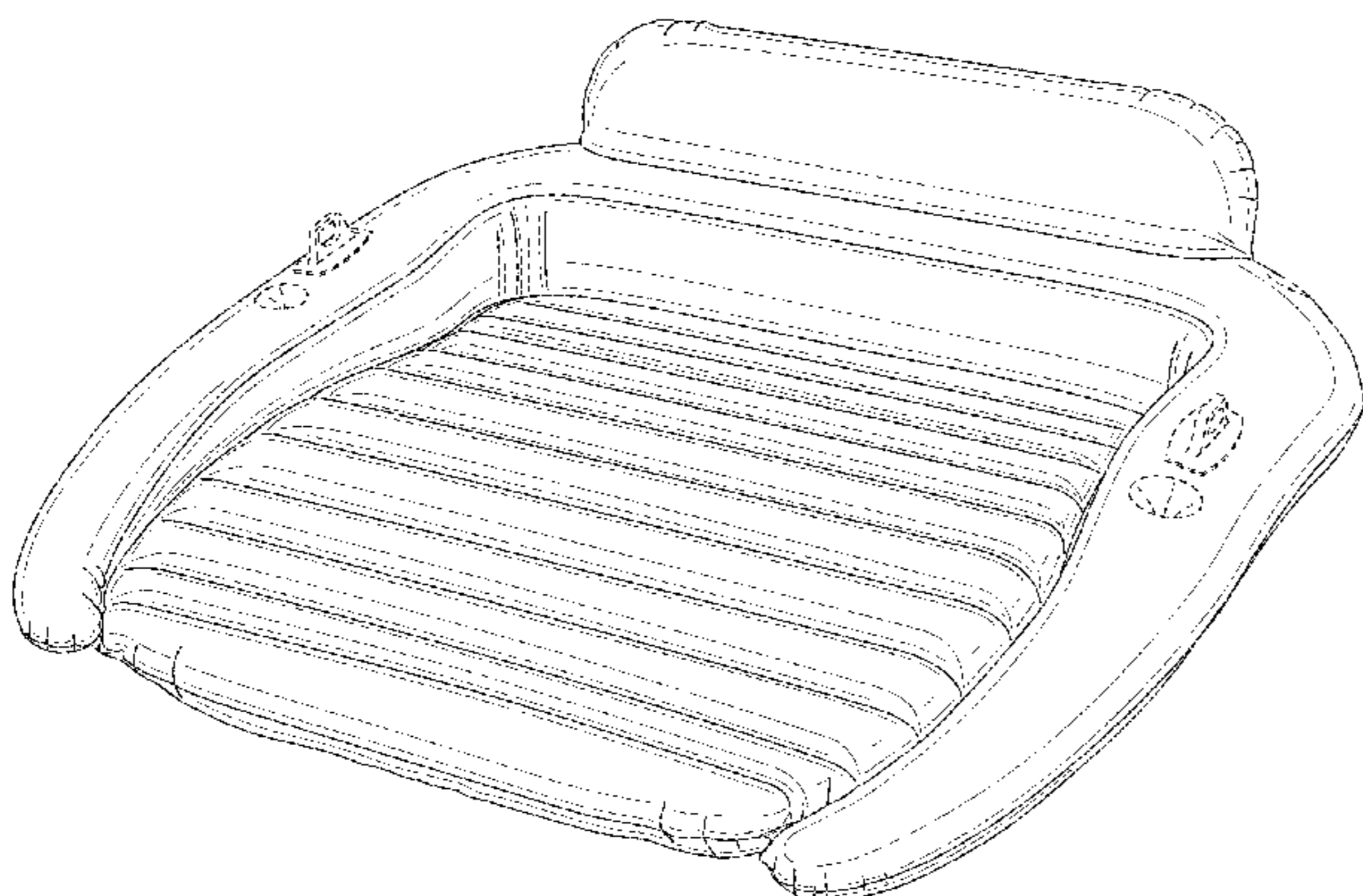
(57) **CLAIM**

We claim the ornamental design for an inflatable U-shaped
chair, as shown and described.

DESCRIPTION

FIG. 1 is a perspective view of an inflatable U-shaped chair;
FIG. 2 is a top plan view thereof;
FIG. 3 is a bottom plan view thereof;
FIG. 4 is a front elevational view thereof;
FIG. 5 is a rear elevational view thereof;
FIG. 6 is a left side elevational view thereof; and,
FIG. 7 is a right side elevational view thereof.
The broken lines in FIGS. 1-7 represent portions of the
inflatable U-shaped chair that form no part of the claimed
design.

1 Claim, 5 Drawing Sheets



(56)

References Cited

U.S. PATENT DOCUMENTS

D819,152 S * 5/2018 Liu D21/803
D821,521 S * 6/2018 Peterson D21/803
D842,626 S * 3/2019 Zanki D6/601

OTHER PUBLICATIONS

Poolmaster The Nautical: Published Feb. 16, 2016 [online], site visited Apr. 23, 2019. Available from Internet URL: https://www.amazon.com/dp/B00S7ITFJ4/ref=cm_sw_r_tw_dp_U_x_me3VCbN6ASB7M (Year: 2016).*

* cited by examiner

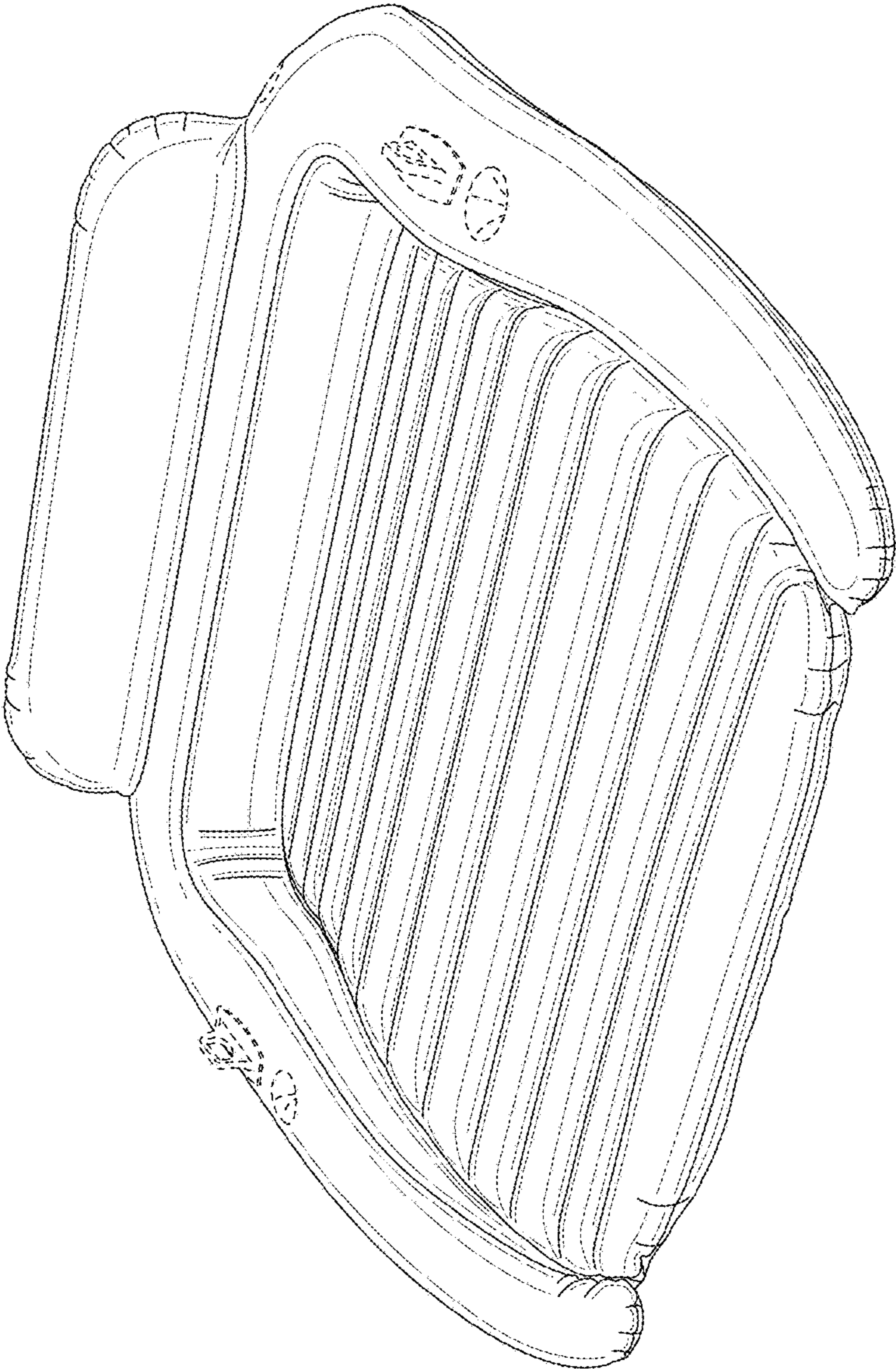


FIG. 1

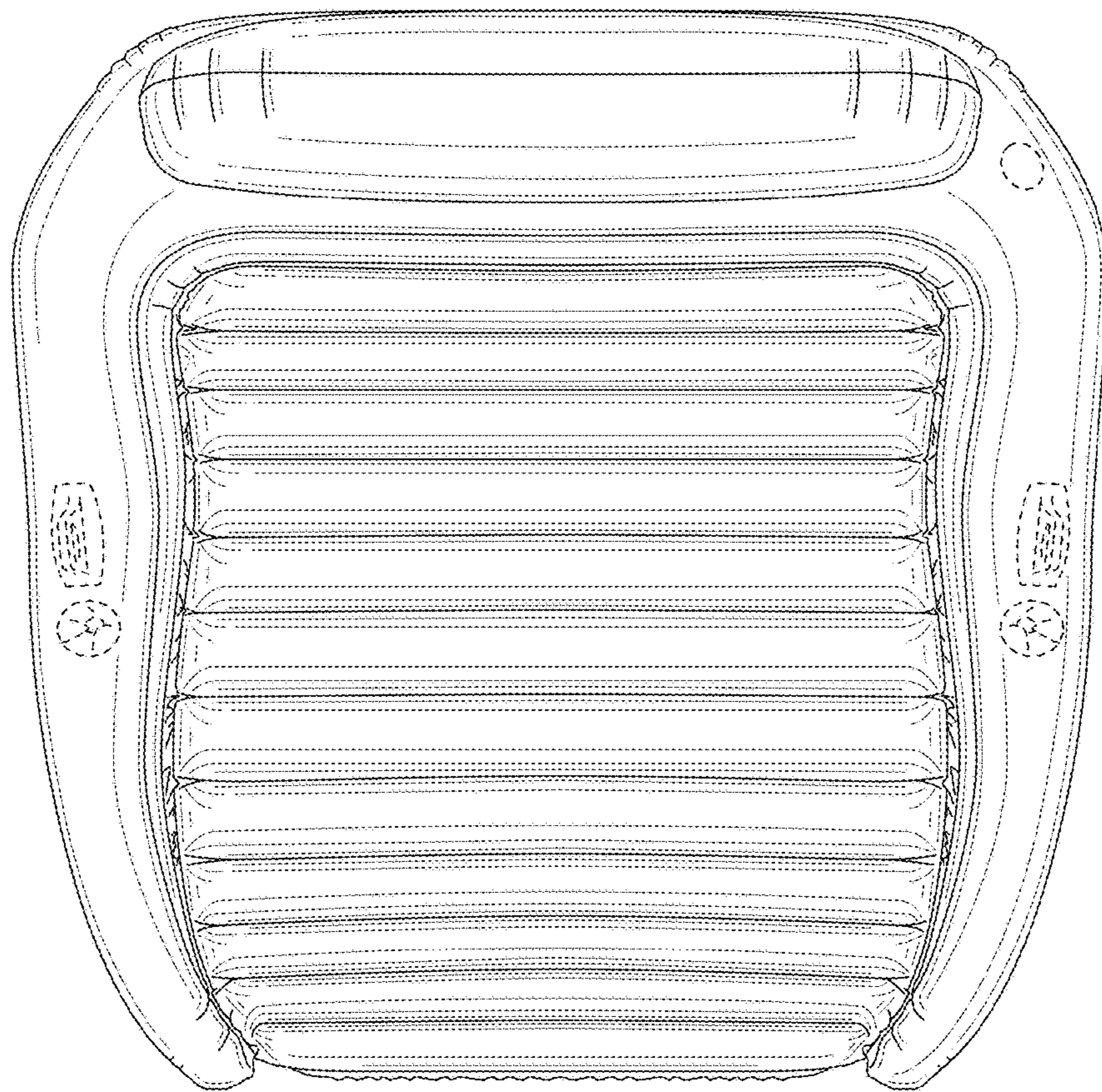


FIG. 2

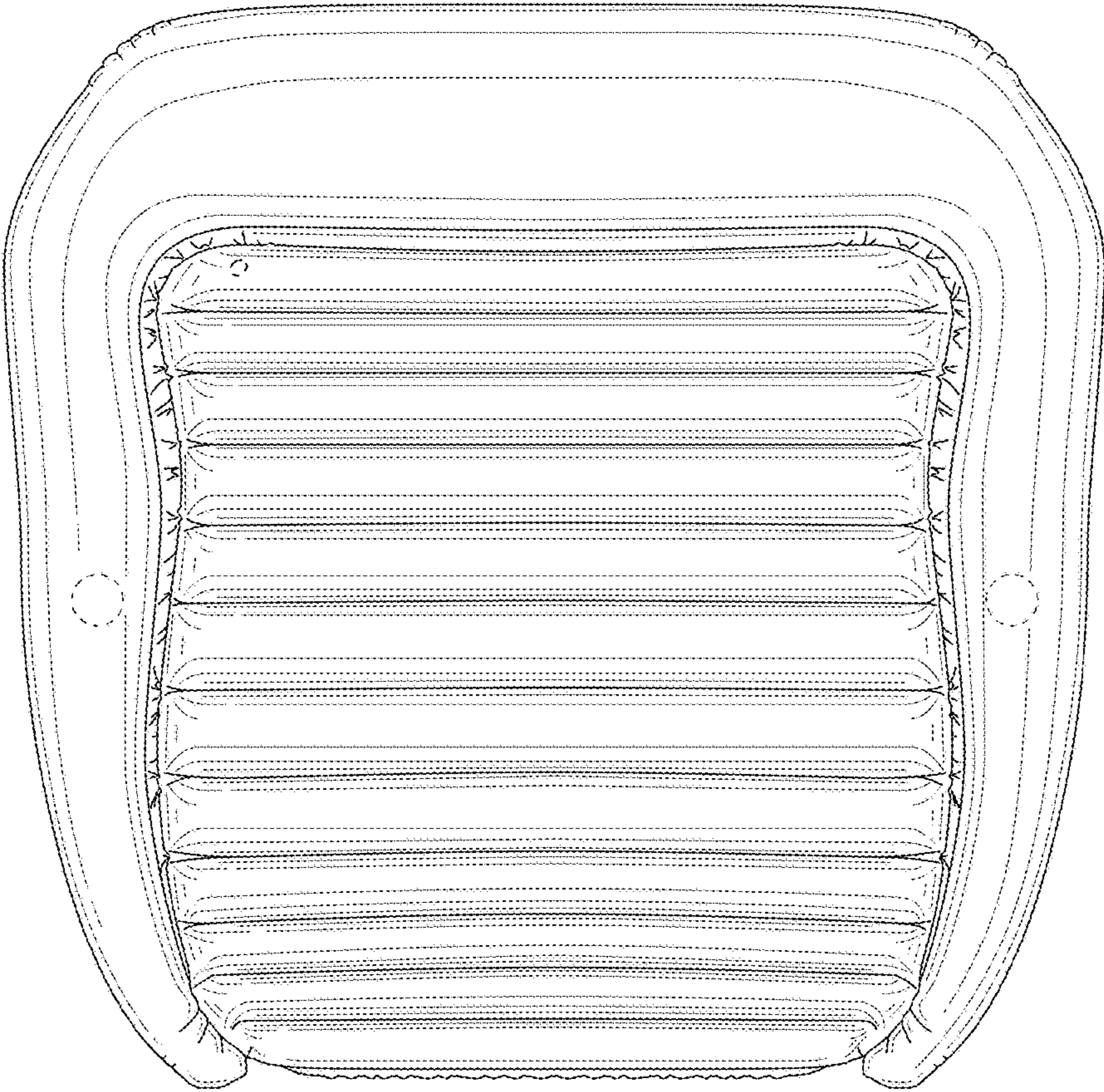


FIG. 3

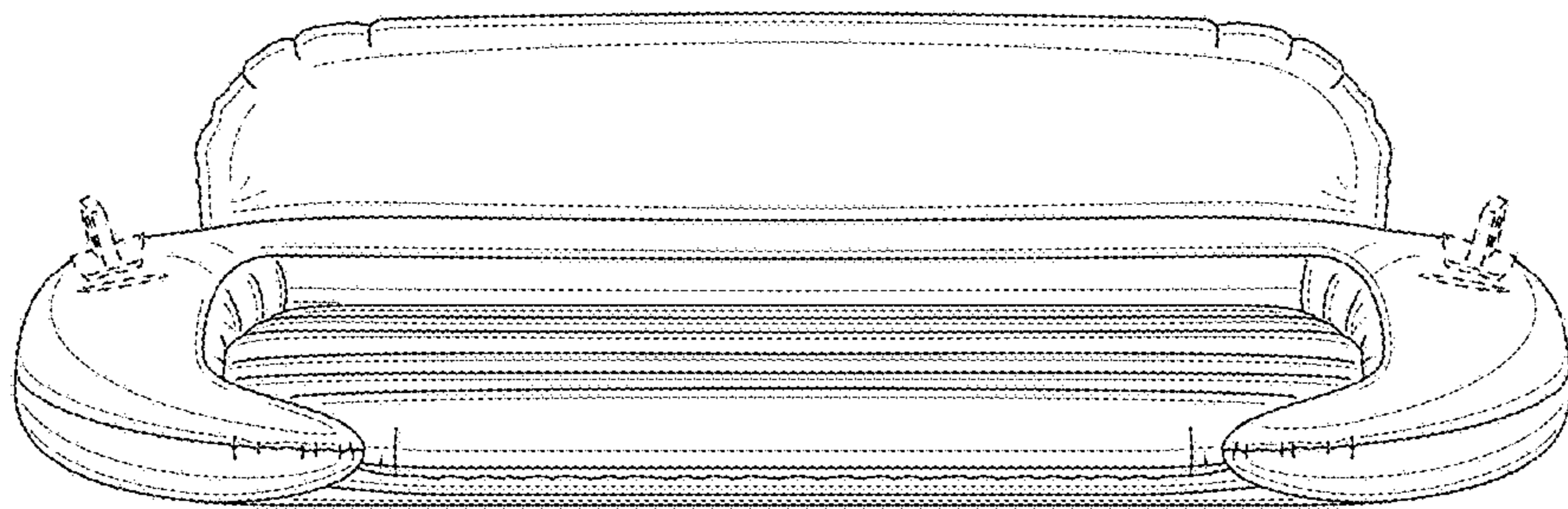


FIG. 4

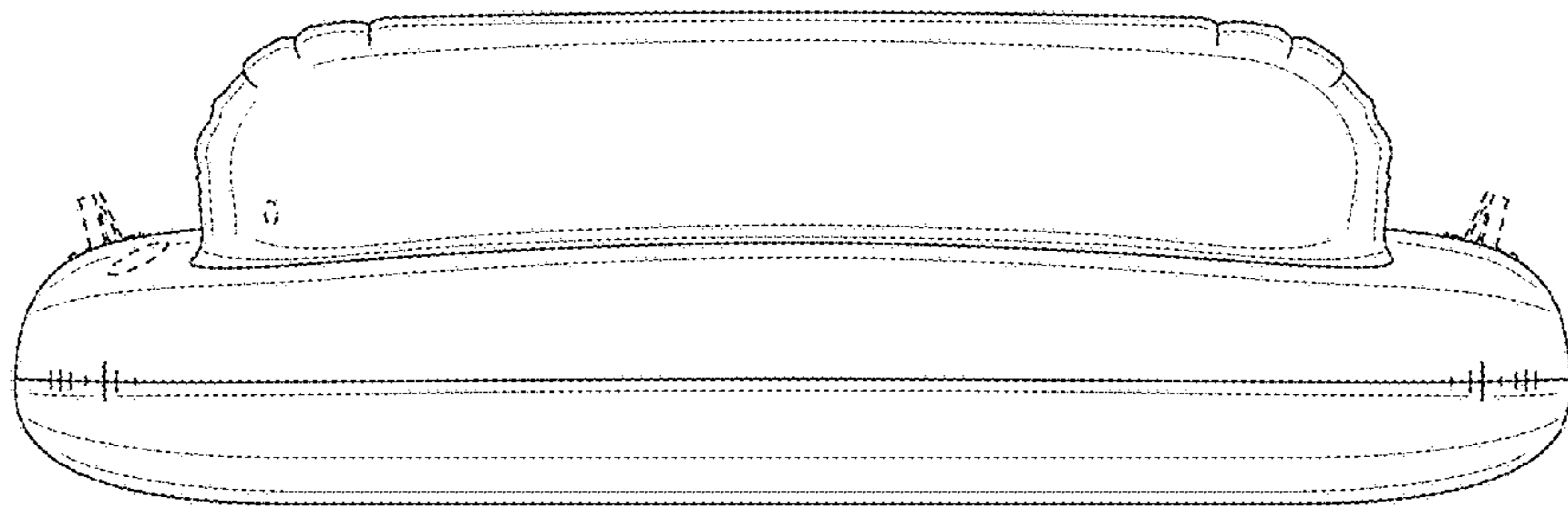


FIG. 5

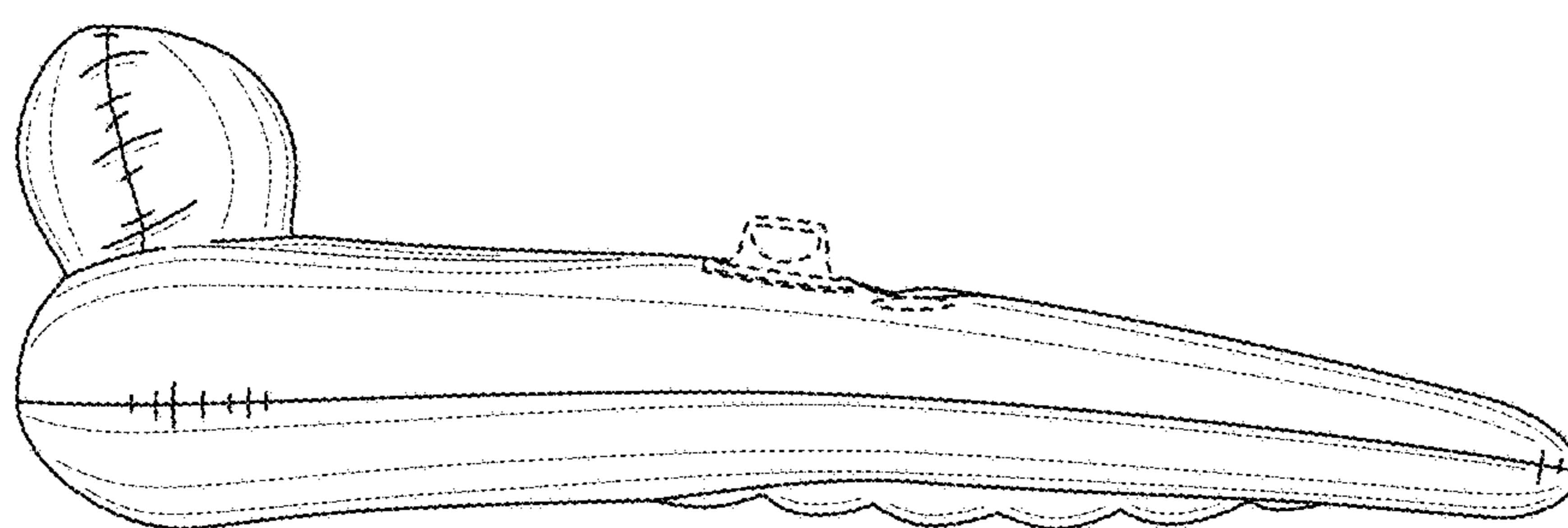


FIG. 6

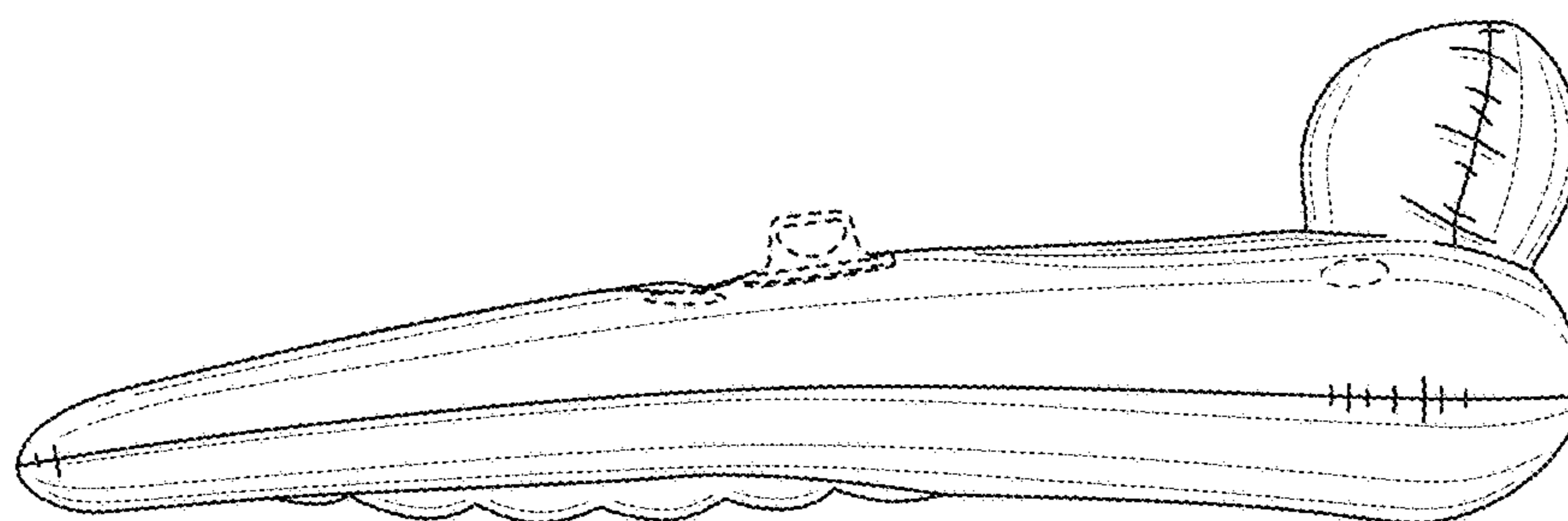


FIG. 7

UNITED STATES PATENT AND TRADEMARK OFFICE
CERTIFICATE OF CORRECTION

PATENT NO. : D861,816 S
APPLICATION NO. : 29/655741
DATED : October 1, 2019
INVENTOR(S) : Yaw Yuan Hsu et al.

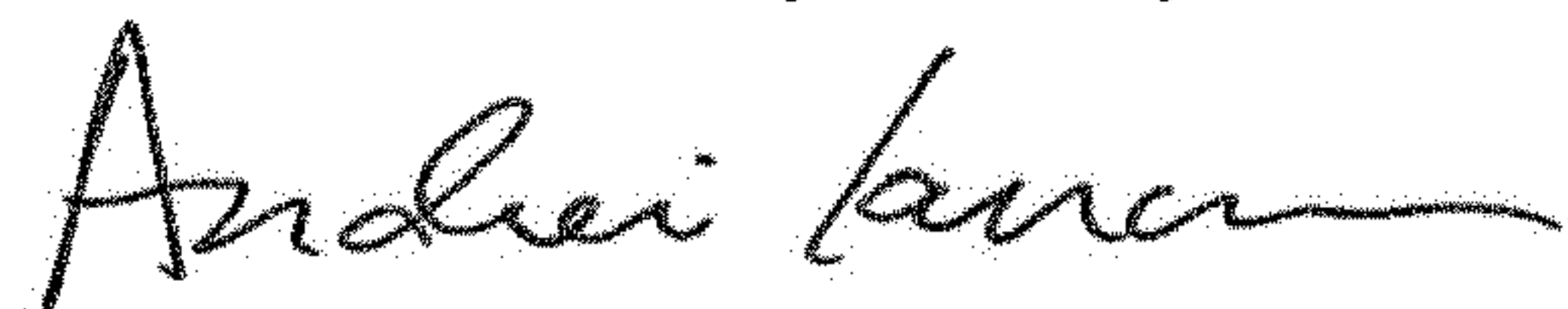
Page 1 of 1

It is certified that error appears in the above-identified patent and that said Letters Patent is hereby corrected as shown below:

On the Title Page

Column 1, Item (30) under Foreign Application Priority Data, please amend the foreign priority reference number to read "201830010553.4".

Signed and Sealed this
Nineteenth Day of May, 2020



Andrei Iancu
Director of the United States Patent and Trademark Office