

US00D861814S

(12) **United States Design Patent** (10) **Patent No.:** **US D861,814 S**
Laverty (45) **Date of Patent:** **** Oct. 1, 2019**

(54) **SPORTS REFEREE TRAINING DEVICE**

FOREIGN PATENT DOCUMENTS

(71) Applicant: **Michael J. Laverty**, Newbury Park, CA (US)

DE 29703817 U1 * 4/1997 B26B 1/08
FR 2491719 A7 * 4/1982 F41B 15/022

(72) Inventor: **Michael J. Laverty**, Newbury Park, CA (US)

(Continued)

(**) Term: **15 Years**

Primary Examiner — Sandra S Snapp

Assistant Examiner — Mehri F Bajoul

(21) Appl. No.: **29/618,774**

(74) *Attorney, Agent, or Firm* — Lazaris IP

(22) Filed: **Sep. 24, 2017**

(57) **CLAIM**

(51) **LOC (12) Cl.** **21-02**

The ornamental design for a sports referee training device, as shown and described.

(52) **U.S. Cl.**

USPC **D21/780**

(58) **Field of Classification Search**

DESCRIPTION

USPC D21/314, 315, 355, 358, 465, 713–719, D21/723, 725, 726, 733–736, 739, D21/742–759, 780, 781, 789–796
CPC A63B 69/00; A63B 69/0002; A63B 2069/0004; A63B 2069/0006; A63B 2069/0008; A63B 2069/0011; A63B 69/0091; A63B 69/0073; A63B 43/007; B64D 23/00; F41B 15/027
See application file for complete search history.

FIG. 1 is a front and side perspective view of a sports referee training device according to the present design;
FIG. 2 is a left side view of a sports referee training device according to the present design;
FIG. 3 is a right side view of a sports referee training device according to the present design;
FIG. 4 is a front elevational view of a sports referee training device according to the present design;
FIG. 5 is a rear elevational view of a sports referee training device according to the present design;
FIG. 6 is a top plan view of a sports referee training device according to the present design;
FIG. 7 is a bottom plan view of a sports referee training device according to the present design;
FIG. 8 is front and side elevational view of a sports referee training device in a fully extended configuration according to the present design; and,
FIG. 9 is a front and side elevational view of a sports referee training device in a fully collapsed configuration according to the present design.

(56) **References Cited**

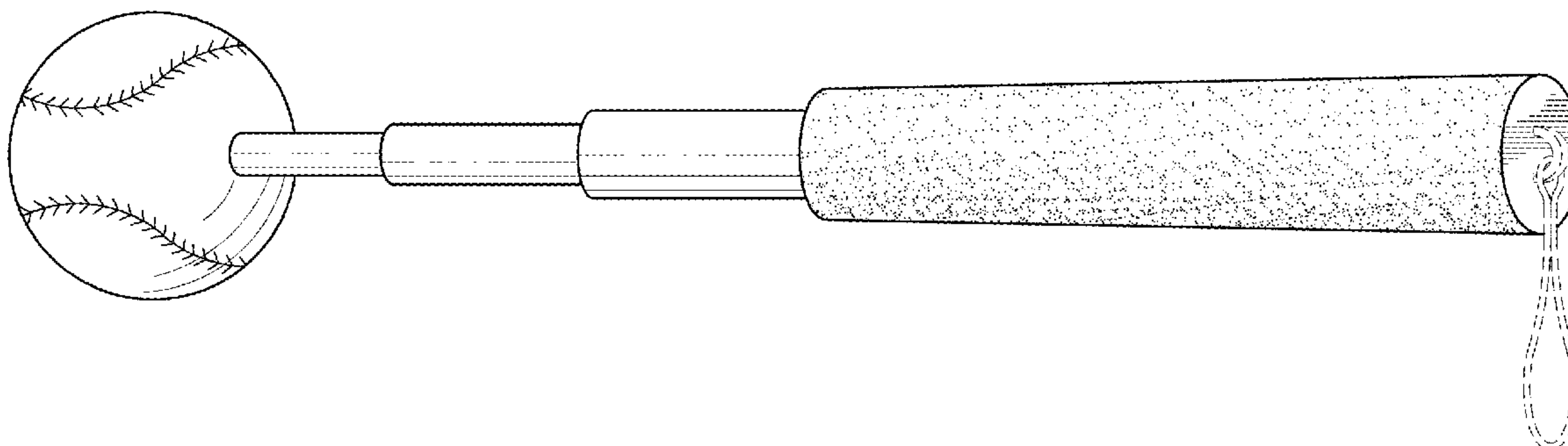
U.S. PATENT DOCUMENTS

5,306,010 A * 4/1994 Choi A63B 15/005
473/239
D405,859 S * 2/1999 Thompson D21/791
5,873,783 A * 2/1999 McBain A63B 21/072
135/75
D445,868 S * 7/2001 Fischer D21/725
6,893,363 B1 * 5/2005 Chen A63B 69/0002
473/417
D517,148 S * 3/2006 Renaud D21/791
7,063,632 B2 * 6/2006 Green A63B 69/0002
473/417
7,479,074 B1 * 1/2009 Pierce A63B 69/0002
473/417

The broken lines shown in the drawings depict portions of the sports referee training device that form no part of the claimed design.

(Continued)

1 Claim, 4 Drawing Sheets



US D861,814 S

Page 2

(56)

References Cited

U.S. PATENT DOCUMENTS

D618,741 S * 6/2010 Crowder D21/726
8,337,338 B2 * 12/2012 Smed A63B 21/0442
473/422
8,540,584 B1 * 9/2013 Sorenson A63B 69/36
473/256
8,821,322 B1 * 9/2014 Jorgens A63B 69/0075
473/417
D746,394 S * 12/2015 Fujisaki D21/466
D822,136 S * 7/2018 Vincson, Jr. D21/780
2004/0132560 A1 * 7/2004 DeCelle A63B 69/0002
473/457
2005/0083679 A1 * 4/2005 Macierowski F41B 15/027
362/102
2007/0026950 A1 * 2/2007 Otto F41B 15/022
463/47.7
2007/0202968 A1 * 8/2007 Zappel A63B 69/0002
473/424

2008/0108440 A1 * 5/2008 Parsons F41B 15/027
463/47.7
2009/0105017 A1 * 4/2009 Jarimba A63B 69/0002
473/490
2011/0281671 A1 * 11/2011 Chen A63B 69/0002
473/417
2012/0165136 A1 * 6/2012 Durham A63B 69/0075
473/417
2014/0194212 A1 * 7/2014 Walter F41B 15/022
463/47.7
2014/0287852 A1 * 9/2014 Clark A63B 69/0002
473/424

FOREIGN PATENT DOCUMENTS

FR 2821927 A1 * 9/2002 F41B 15/022
WO WO-2016196769 A1 * 12/2016 A63B 69/0002

* cited by examiner

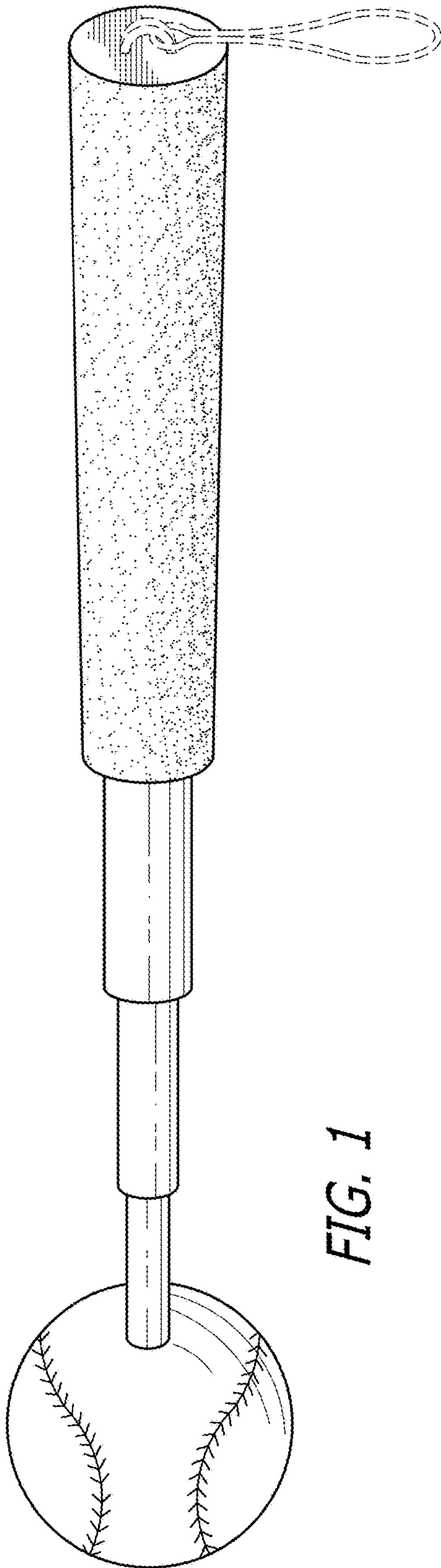


FIG. 1

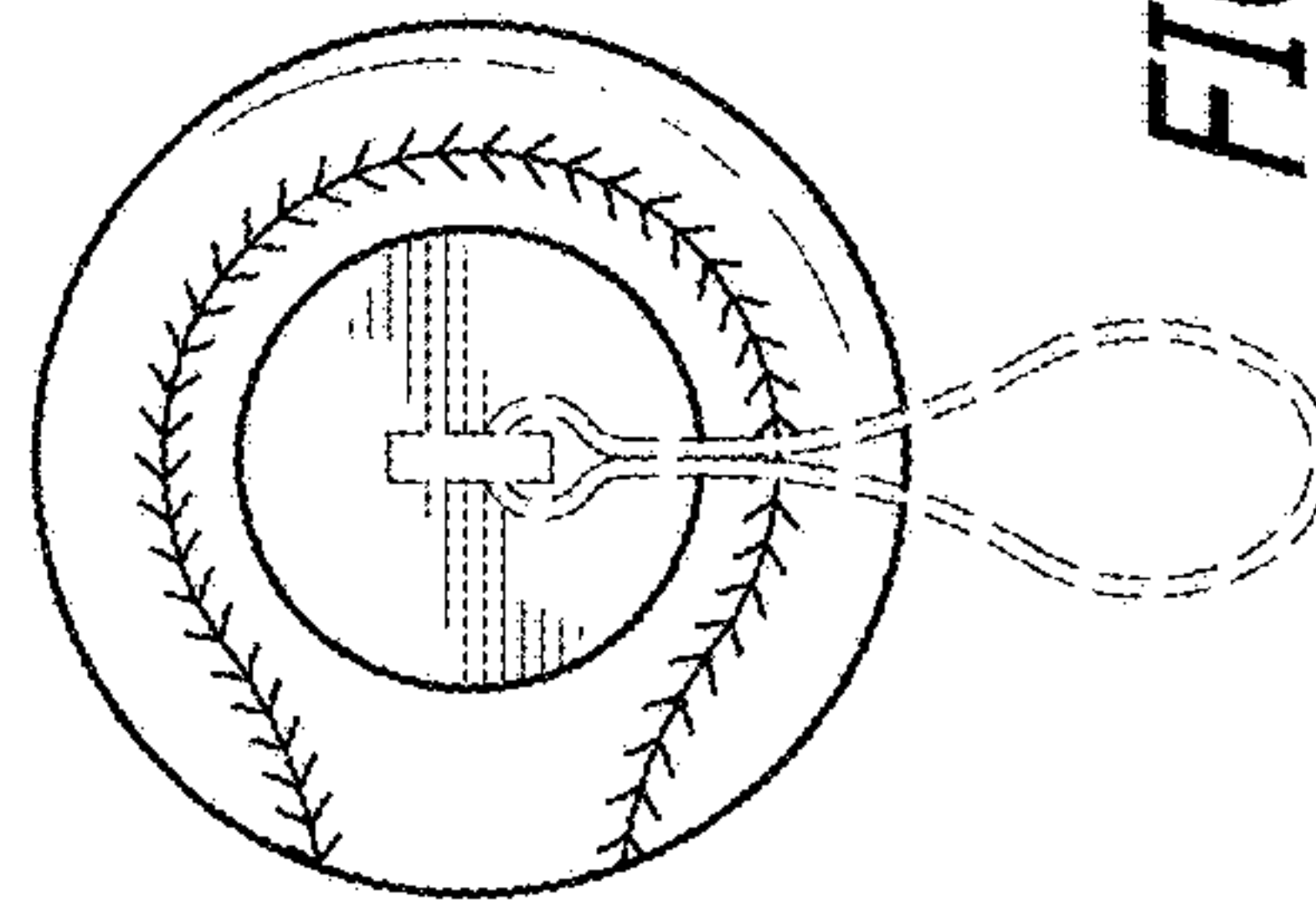


FIG. 3

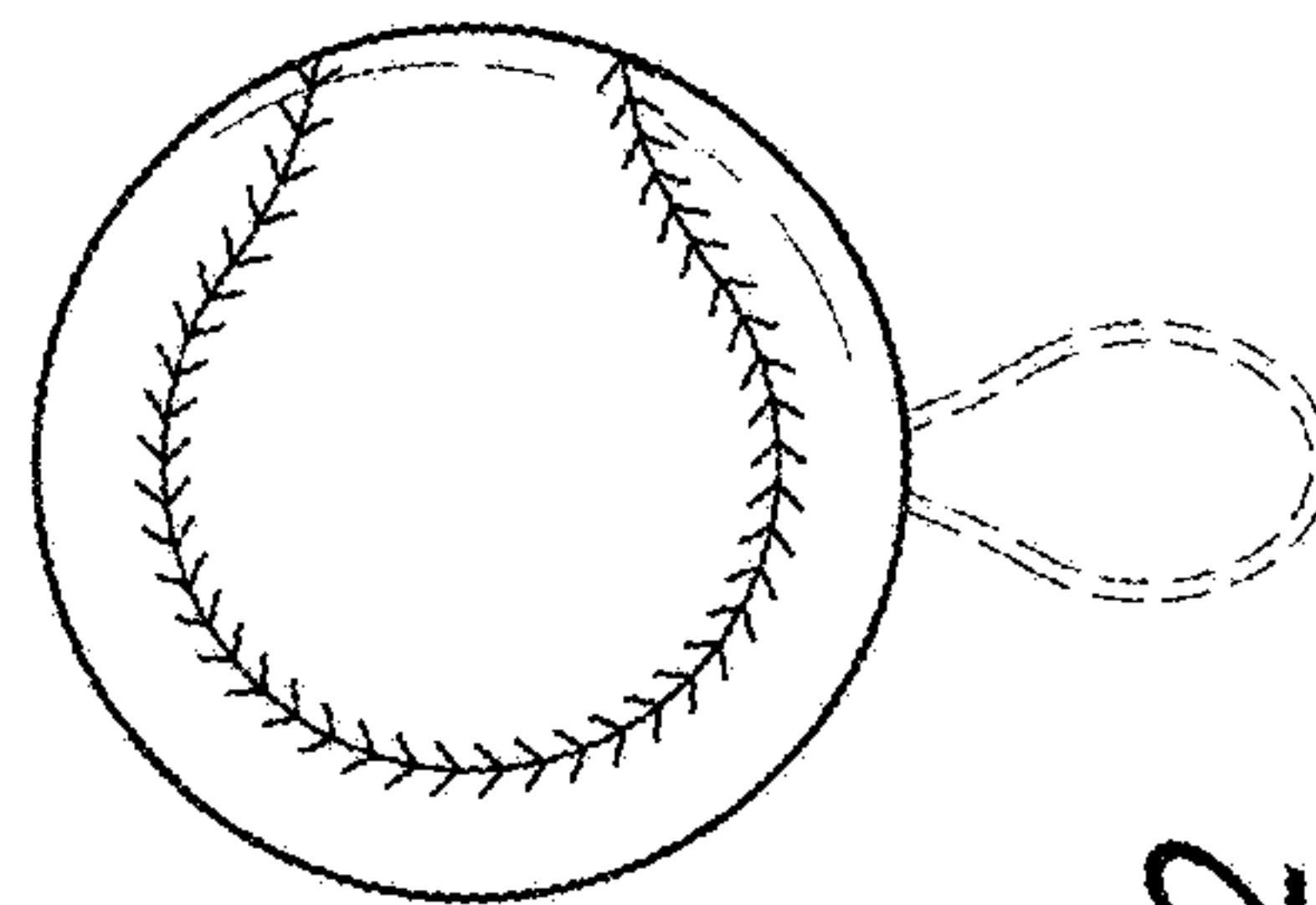


FIG. 2

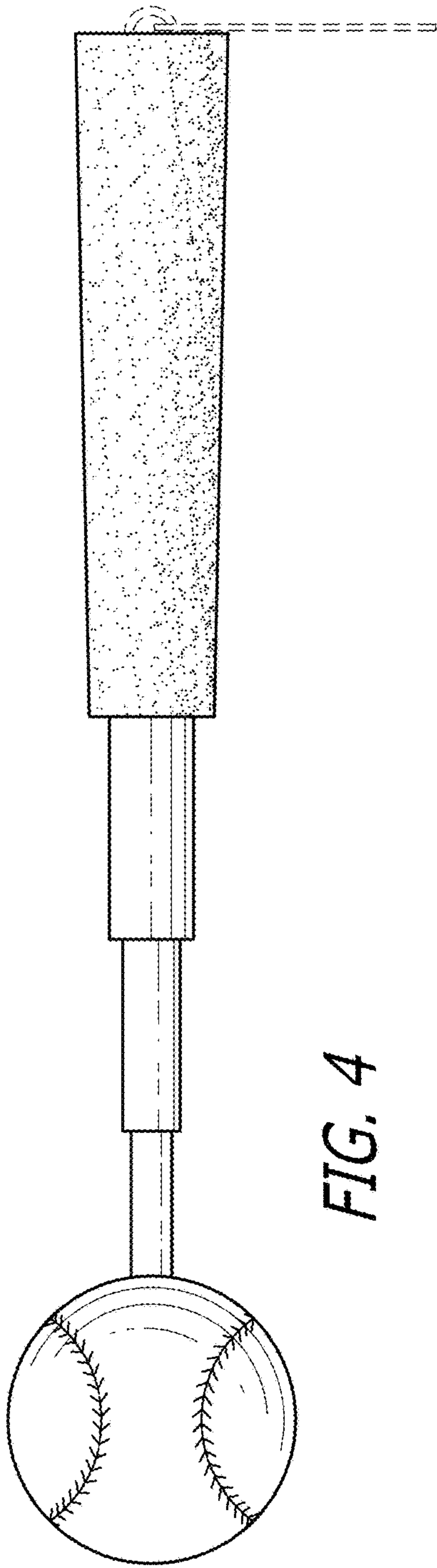


FIG. 4

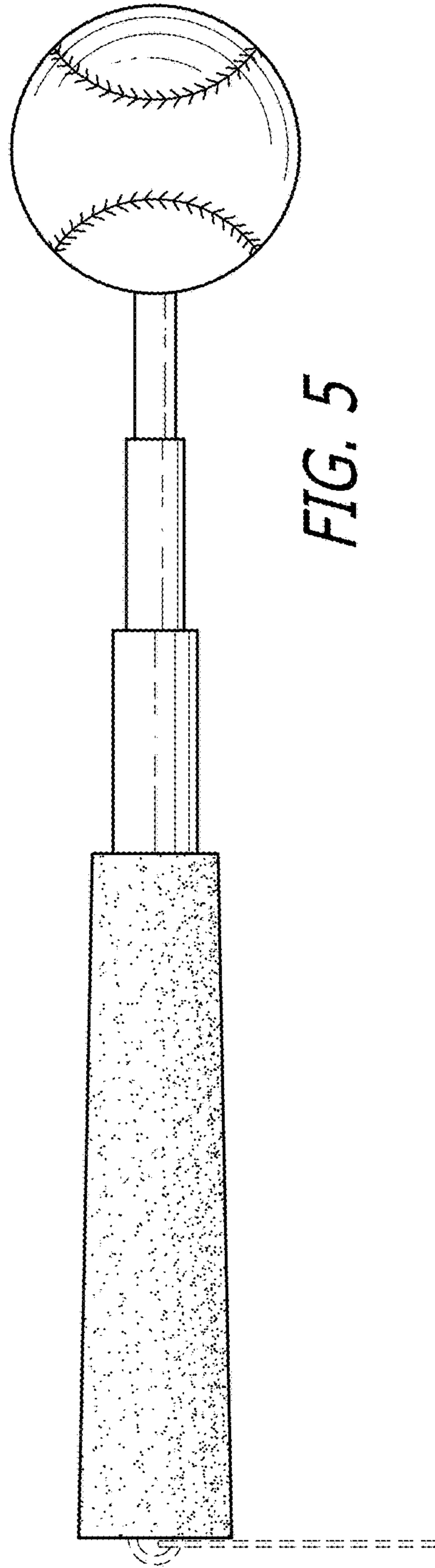


FIG. 5

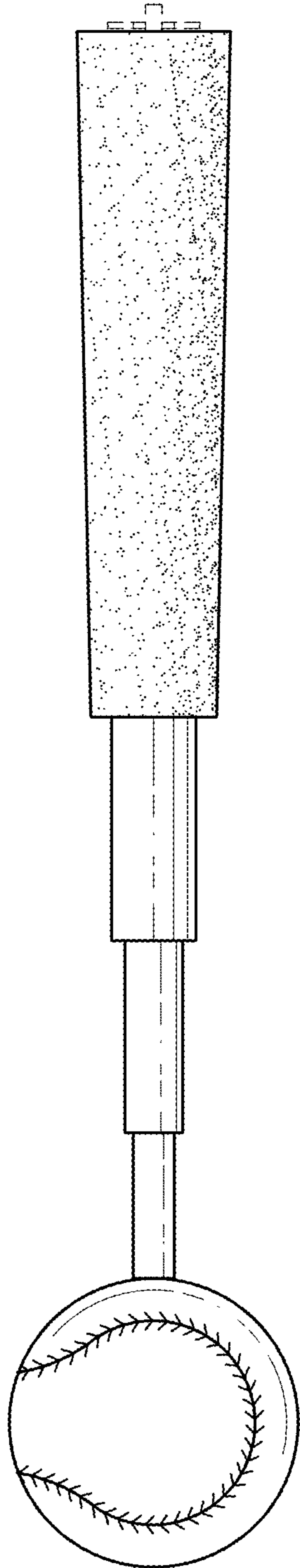


FIG. 6

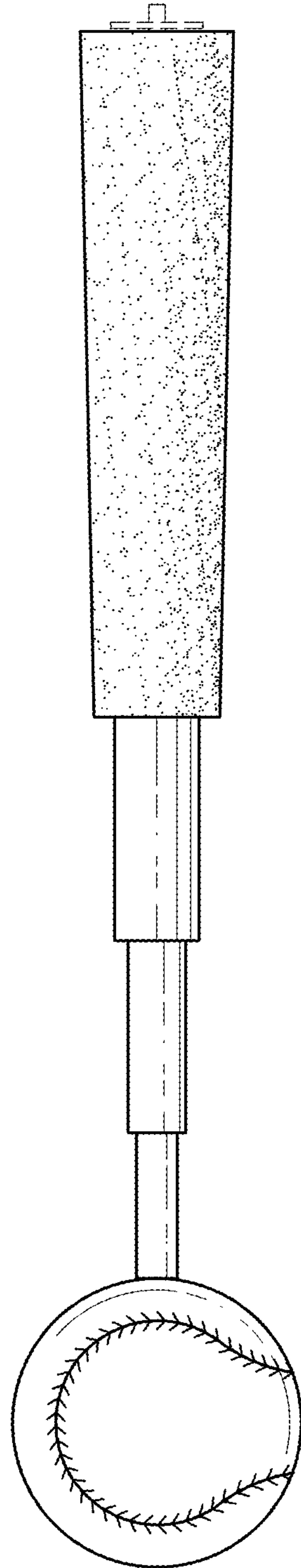


FIG. 7

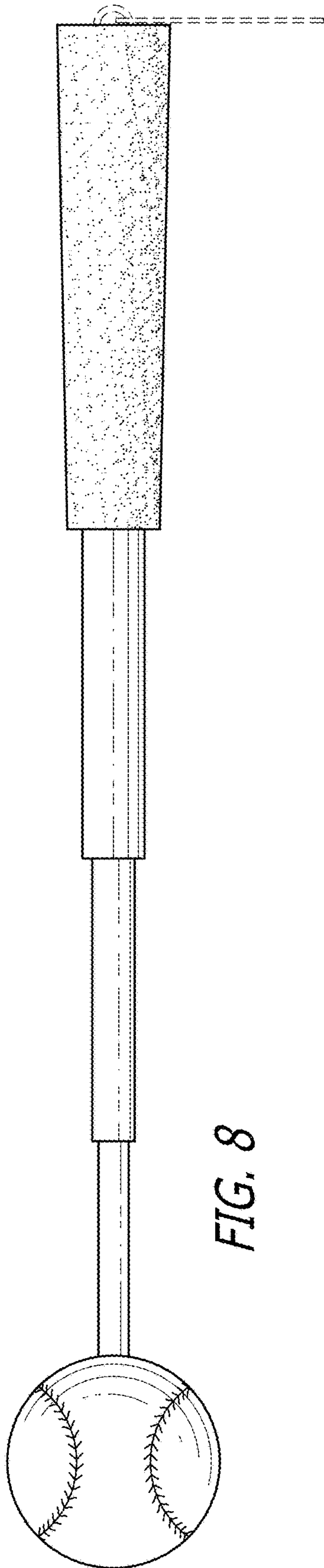


FIG. 8

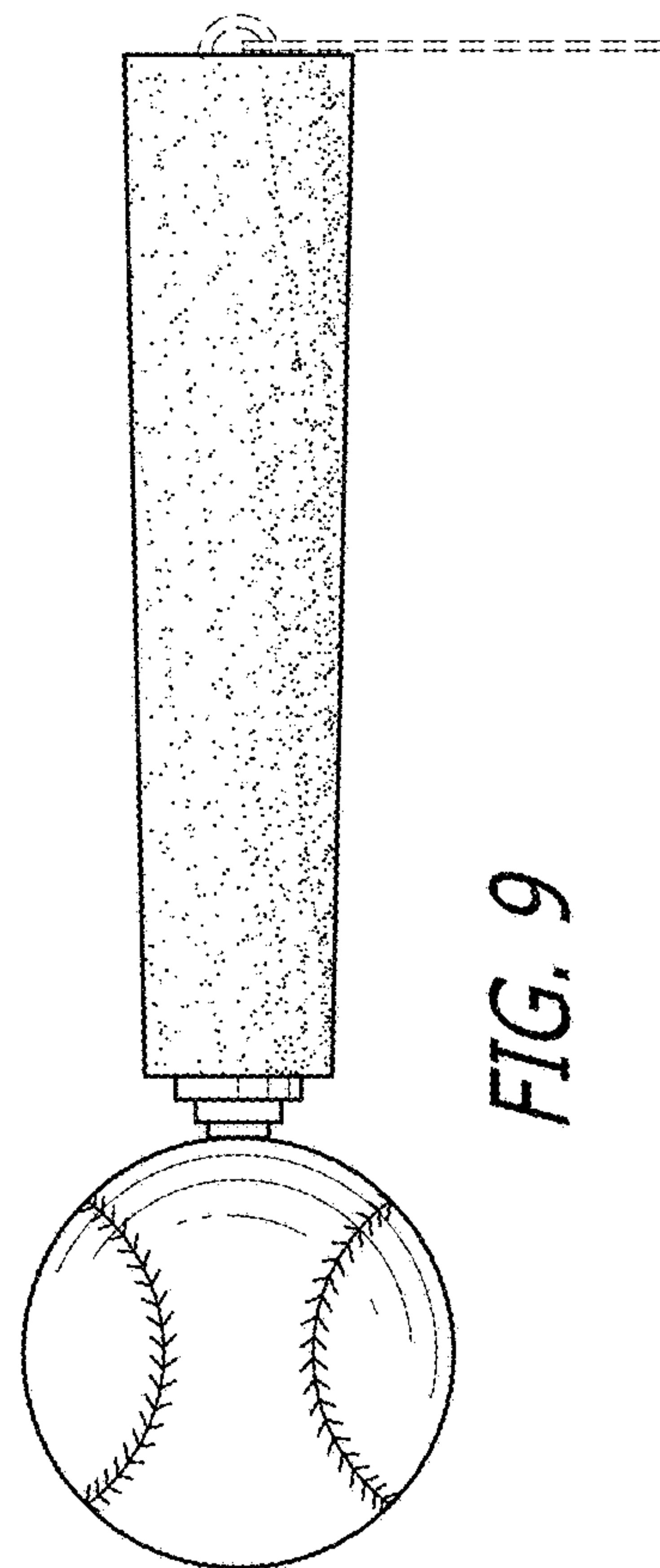


FIG. 9