

US00D861813S

(12) **United States Design Patent** (10) **Patent No.:** **US D861,813 S**  
**Asatsuma** (45) **Date of Patent:** **\*\* Oct. 1, 2019**

(54) **GOLF CLUB HEAD**  
(71) Applicant: **SUMITOMO RUBBER INDUSTRIES, LTD.**, Kobe-shi, Hyogo (JP)  
(72) Inventor: **Hajime Asatsuma**, Kobe (JP)  
(73) Assignee: **SUMITOMO RUBBER INDUSTRIES, LTD.**, Kobe-Shi, Hyogo (JP)  
(\*\*) Term: **15 Years**  
(21) Appl. No.: **29/657,493**  
(22) Filed: **Jul. 23, 2018**

(30) **Foreign Application Priority Data**

Feb. 8, 2018 (JP) ..... 2018-002580

(51) **LOC (12) Cl.** ..... **21-02**

(52) **U.S. Cl.**  
USPC ..... **D21/759**

(58) **Field of Classification Search**  
USPC ..... D21/752, 759  
CPC ..... A63B 53/00; A63B 53/04; A63B 53/0466; A63B 2053/002; A63B 2053/0445; A63B 2053/0433; A63B 2053/0491; A63B 2053/0437; A63B 60/00; A63B 60/46  
See application file for complete search history.

(56) **References Cited**

**U.S. PATENT DOCUMENTS**

D590,037 S \* 4/2009 Ruggiero ..... D21/759  
D608,850 S \* 1/2010 Oldknow ..... D21/759  
D609,297 S \* 2/2010 Oldknow ..... D21/759  
D609,298 S \* 2/2010 Oldknow ..... D21/759  
D609,300 S \* 2/2010 Oldknow ..... D21/759  
D609,764 S \* 2/2010 Oldknow ..... D21/759

D612,442 S \* 3/2010 Oldknow ..... D21/759  
D637,671 S \* 5/2011 Kim ..... D21/752  
D652,095 S \* 1/2012 Kim ..... D21/752  
D657,838 S \* 4/2012 Oldknow ..... D21/759  
D658,252 S \* 4/2012 Oldknow ..... D21/759  
D658,253 S \* 4/2012 Oldknow ..... D21/759  
D658,254 S \* 4/2012 Oldknow ..... D21/759  
D658,731 S \* 5/2012 Oldknow ..... D21/752  
D659,781 S \* 5/2012 Oldknow ..... D21/752  
D659,782 S \* 5/2012 Oldknow ..... D21/752  
D663,370 S \* 7/2012 Kim ..... D21/752  
D669,547 S \* 10/2012 Kim ..... D21/752  
D714,895 S \* 10/2014 Brookshire ..... D21/759  
D714,896 S \* 10/2014 Brookshire ..... D21/759  
D720,025 S \* 12/2014 Nicolette ..... D21/759  
D737,388 S \* 8/2015 Tang ..... D21/759  
D763,997 S \* 8/2016 Tang ..... D21/759

(Continued)

*Primary Examiner* — Mitchell I. Siegel

(74) *Attorney, Agent, or Firm* — Birch, Stewart, Kolasch & Birch, LLP

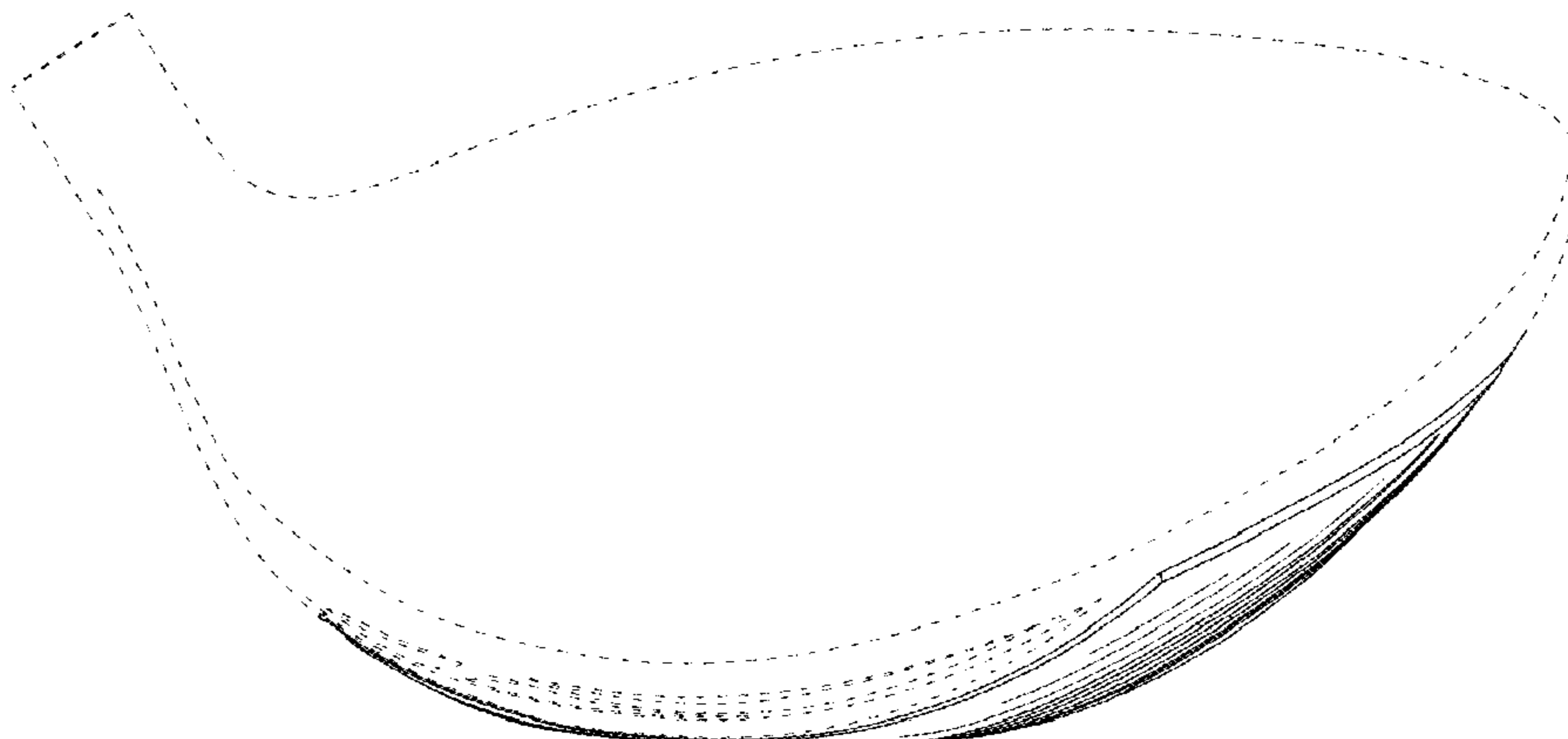
(57) **CLAIM**

The ornamental design for a golf club head, as shown and described.

**DESCRIPTION**

FIG. 1 is a perspective view of a golf club head showing our new design;  
FIG. 2 is a front view thereof;  
FIG. 3 is a back view thereof;  
FIG. 4 is a top view thereof;  
FIG. 5 is a bottom view thereof;  
FIG. 6 is a right view thereof;  
FIG. 7 is a left view thereof; and,  
FIG. 8 is a cross-sectional view taken on line 8-8 of FIG. 5.  
The broken lines shown in the figures are included for the purpose of illustrating unclaimed subject matter and forms no part of the claimed design.

**1 Claim, 4 Drawing Sheets**



(56)

**References Cited**

U.S. PATENT DOCUMENTS

D767,065 S \* 9/2016 Asazuma ..... D21/759  
D767,067 S \* 9/2016 Foster ..... D21/759

\* cited by examiner

Fig.1

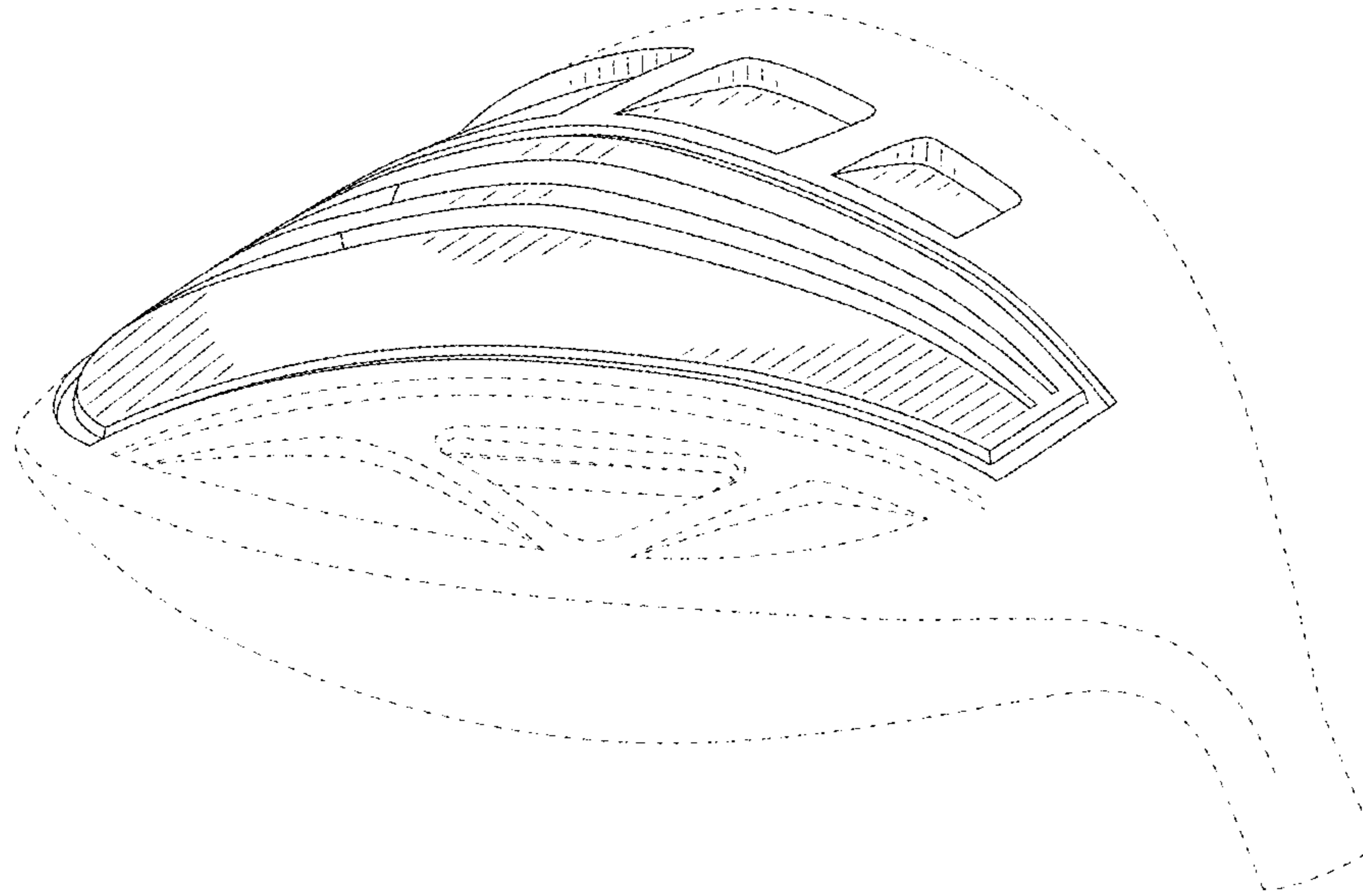


Fig.2

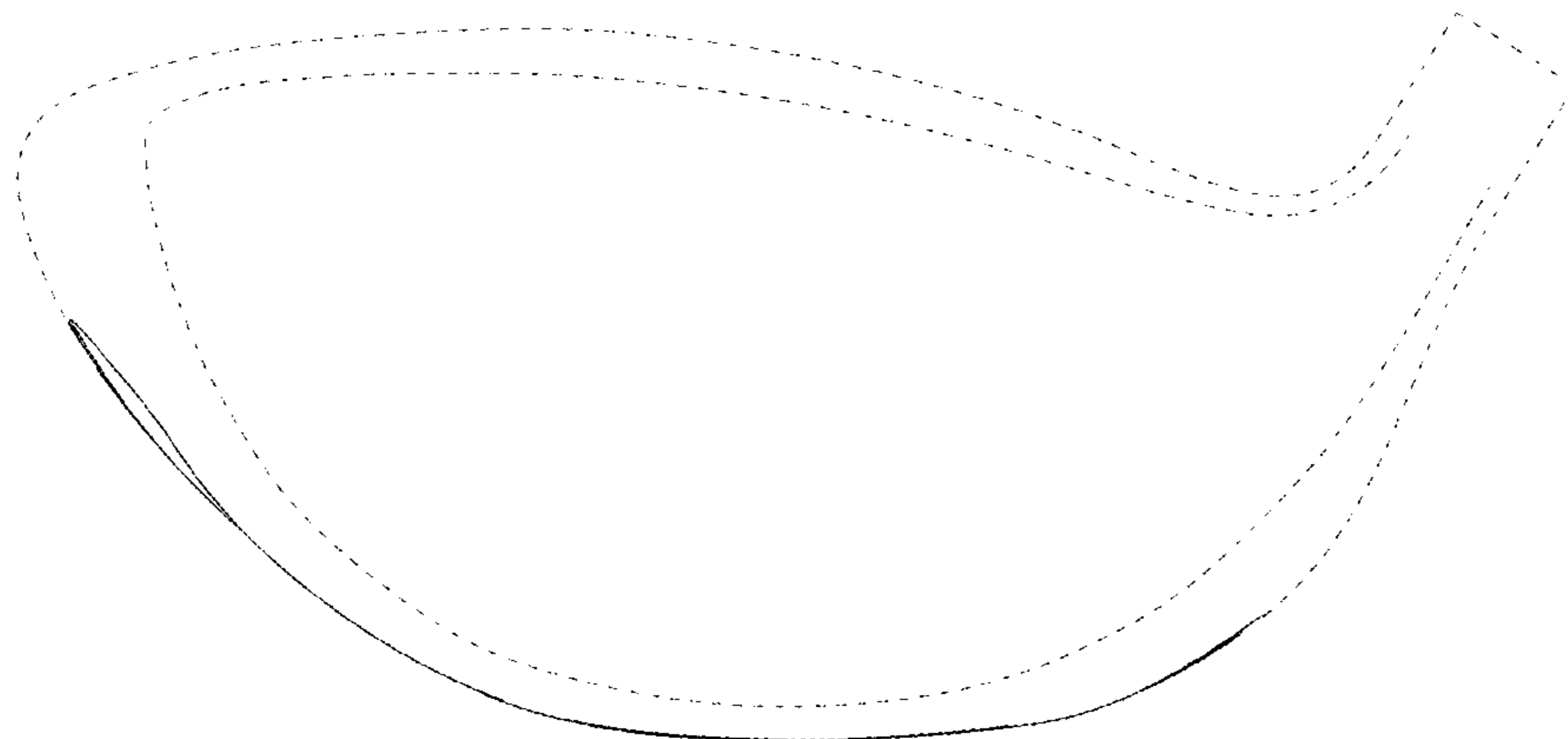


Fig. 3

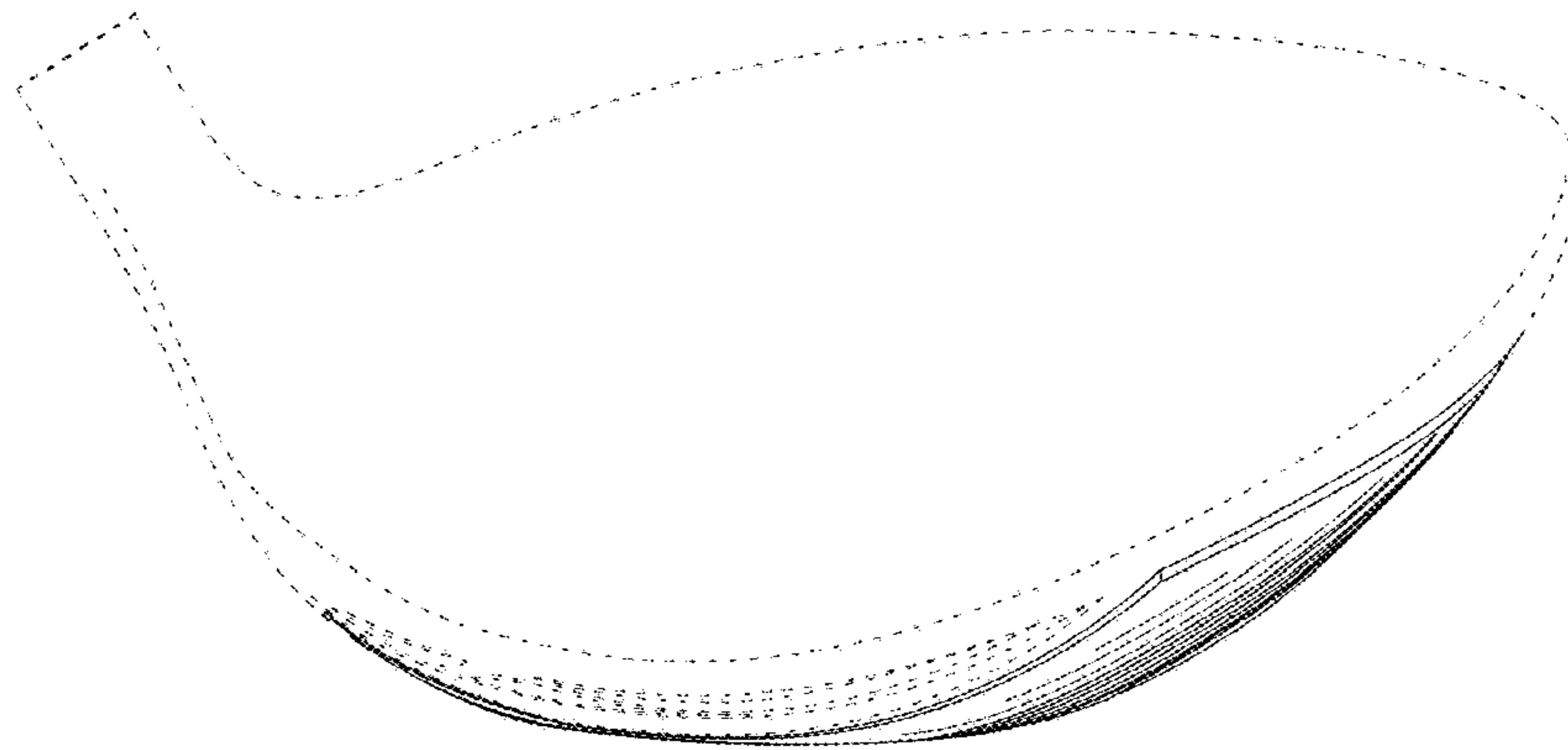


Fig. 4

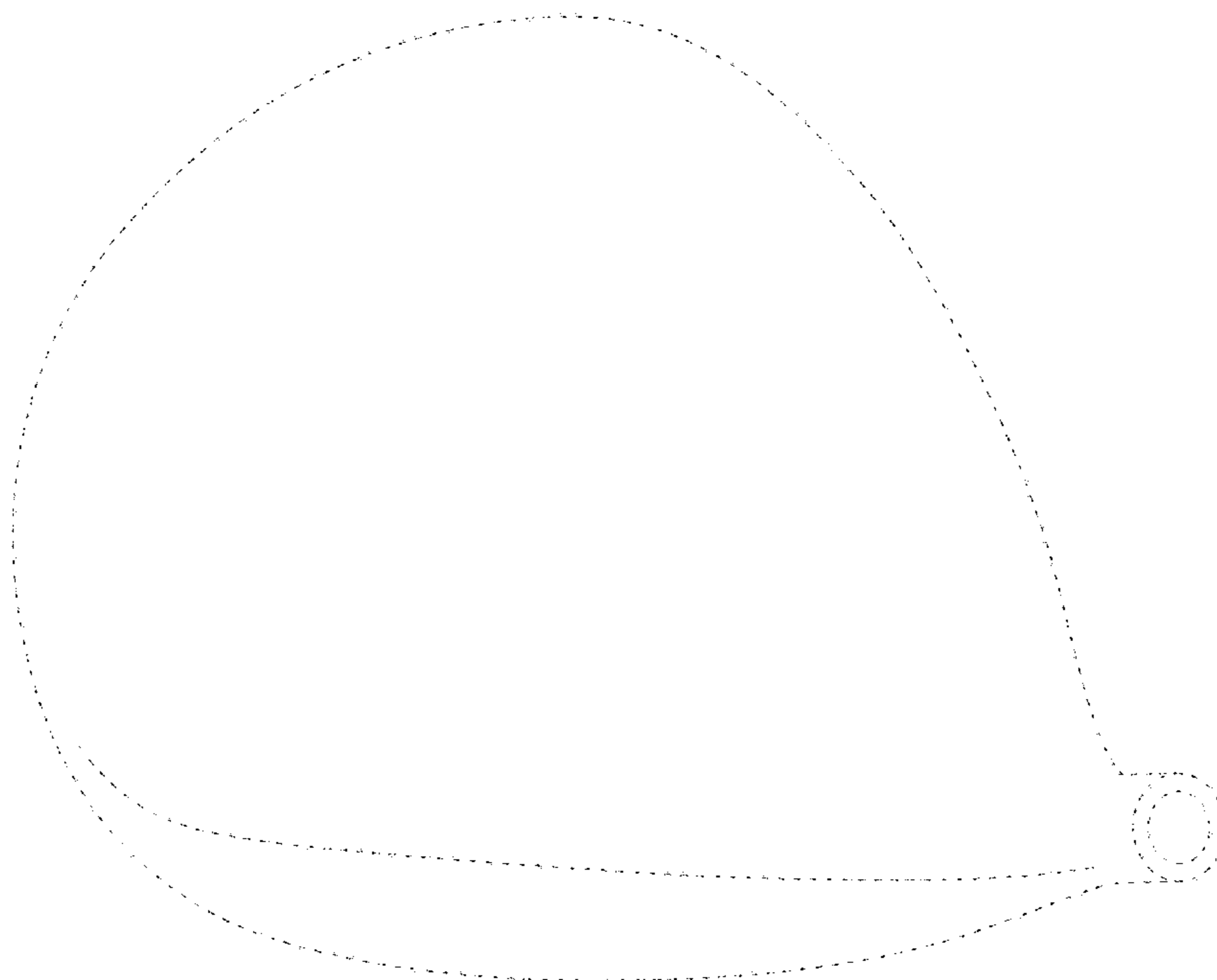


Fig.5

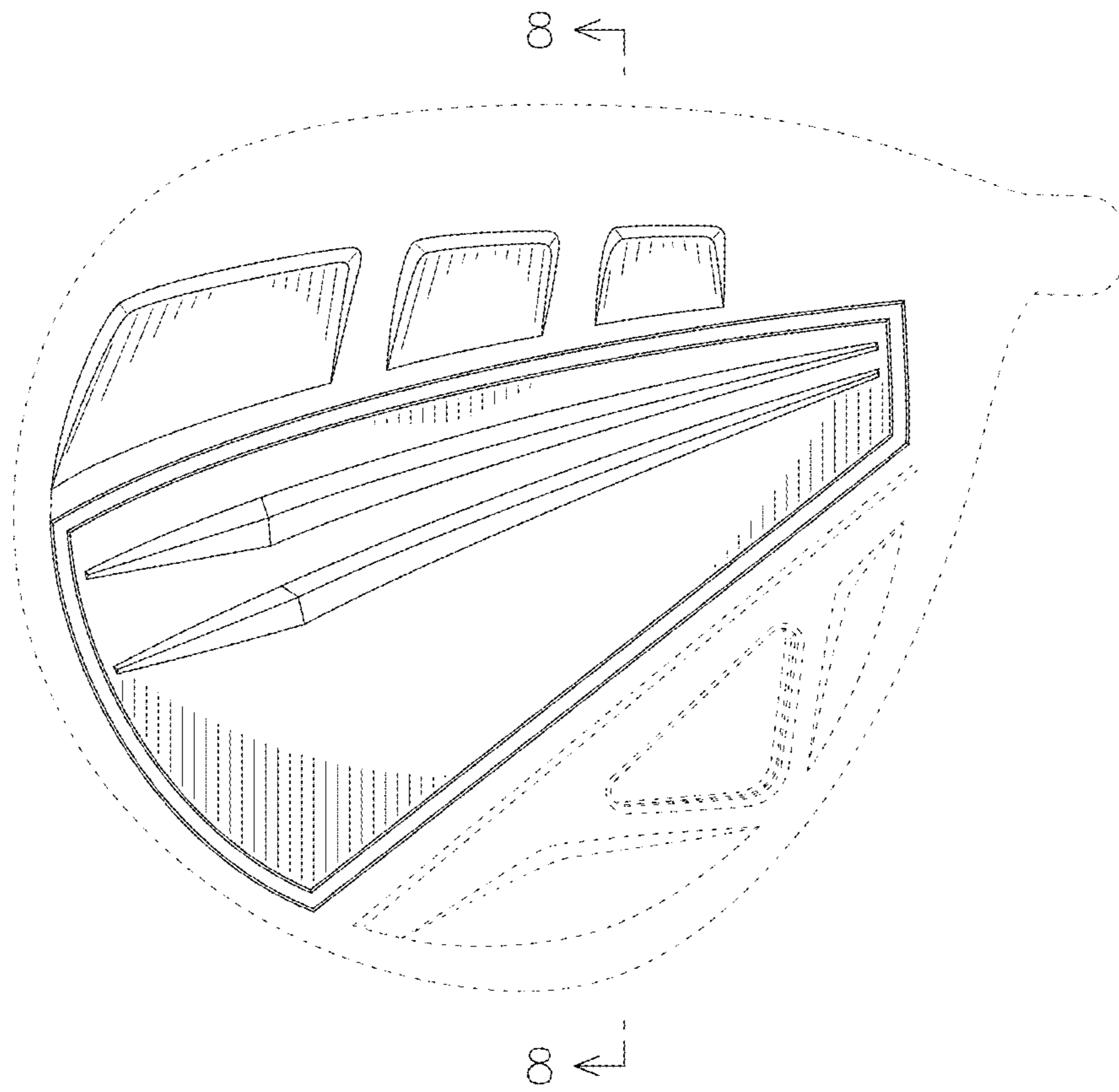


Fig.6

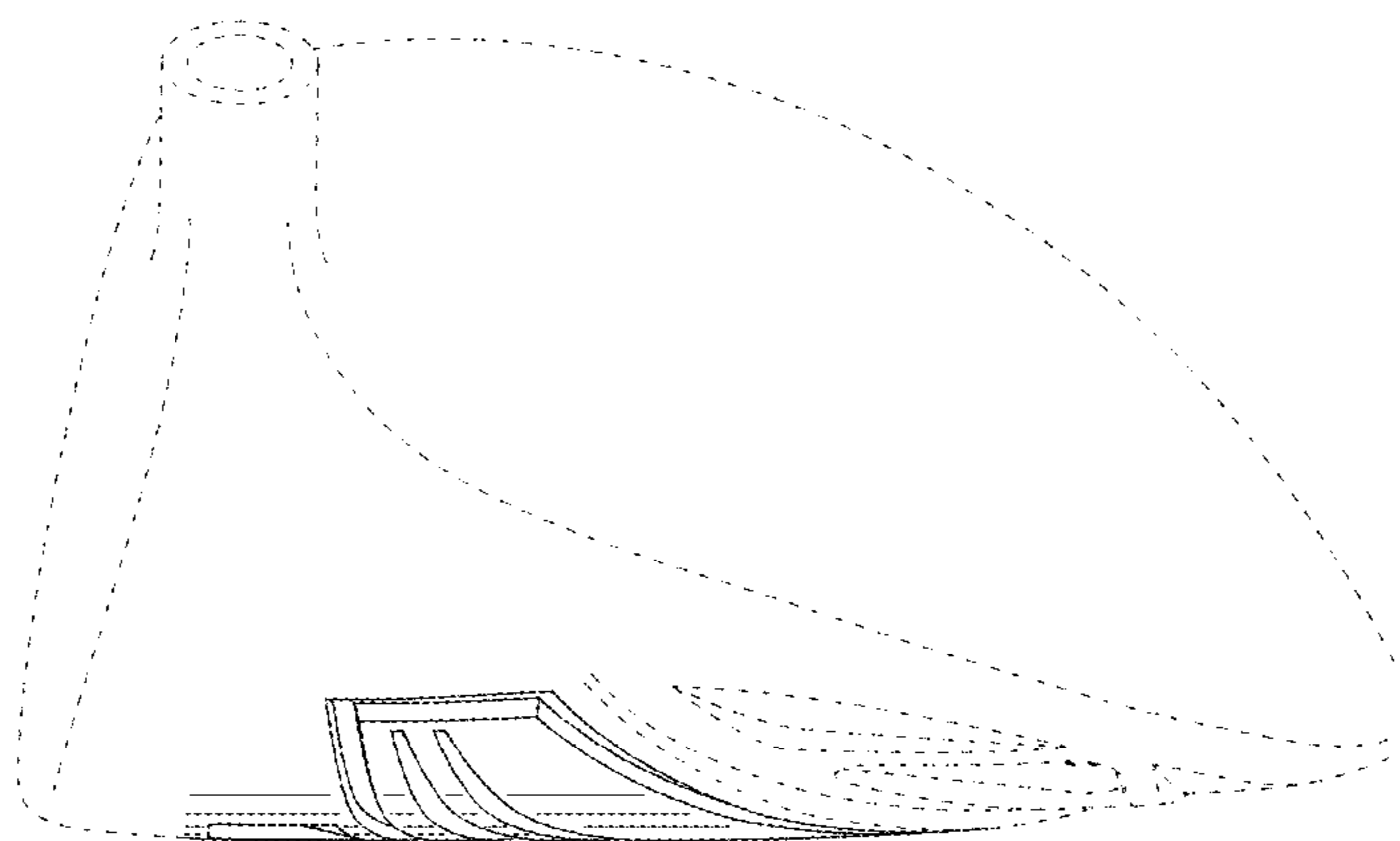


Fig. 7

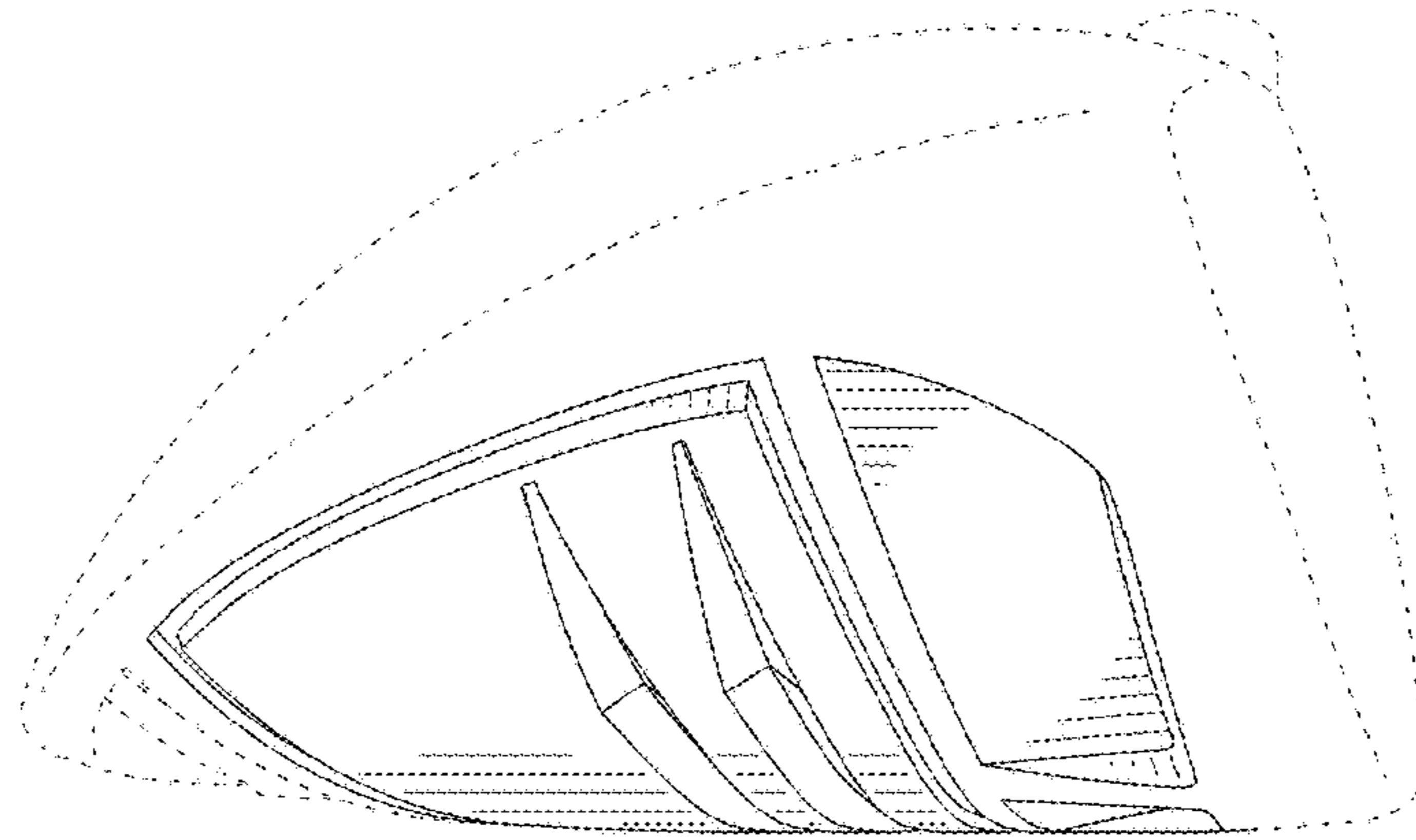


Fig. 8

