



US00D861812S

(12) **United States Design Patent** (10) **Patent No.:** **US D861,812 S**
Asatsuma (45) **Date of Patent:** **** Oct. 1, 2019**

(54) **GOLF CLUB HEAD**

(71) Applicant: **SUMITOMO RUBBER INDUSTRIES, LTD.**, Kobe-shi, Hyogo (JP)

(72) Inventor: **Hajime Asatsuma**, Kobe (JP)

(73) Assignee: **SUMITOMO RUBBER INDUSTRIES, LTD.**, Kobe-Shi, Hyogo (JP)

(**) Term: **15 Years**

(21) Appl. No.: **29/657,464**

(22) Filed: **Jul. 23, 2018**

(30) **Foreign Application Priority Data**

Feb. 8, 2018 (JP) 2018-002579

(51) **LOC (12) Cl.** **21-02**

(52) **U.S. Cl.**
USPC **D21/759**

(58) **Field of Classification Search**

USPC D21/747-751, 759
CPC A63B 53/00; A63B 53/02; A63B 53/04;
A63B 53/047; A63B 53/0475; A63B
2053/0479; A63B 2053/0483; A63B
2053/0445; A63B 60/00; A63B 60/46
See application file for complete search history.

(56) **References Cited**

U.S. PATENT DOCUMENTS

D353,644 S * 12/1994 Hirsch D21/748
D401,637 S * 11/1998 Best D21/747
D465,253 S * 11/2002 Best D21/759
D469,140 S * 1/2003 Best D21/759
D475,108 S * 5/2003 Madore D21/759
D487,127 S * 2/2004 Madore D21/747
D499,155 S * 11/2004 Imamoto D21/747

D516,649 S * 3/2006 Imamoto D21/747
D517,629 S * 3/2006 Madore D21/759
D619,184 S * 7/2010 Llewellyn D21/759
D645,103 S * 9/2011 Llewellyn D21/759
D647,986 S * 11/2011 Atwell D21/747
D675,690 S * 2/2013 Breier D21/747
D682,960 S * 5/2013 Voshall D21/747
D682,962 S * 5/2013 Llewellyn D21/747
D715,881 S * 10/2014 Roche D21/759
D720,027 S * 12/2014 Voshall D21/759
D736,872 S * 8/2015 Llewellyn D21/759
D736,873 S * 8/2015 Voshall D21/759
D736,878 S * 8/2015 Roche D21/759
D767,066 S * 9/2016 Asazuma D21/759
D780,867 S * 3/2017 Asatsuma D21/759
D835,734 S * 12/2018 Milleman D21/747

* cited by examiner

Primary Examiner — Mitchell I. Siegel

(74) *Attorney, Agent, or Firm* — Birch, Stewart, Kolasch & Birch, LLP

(57) **CLAIM**

The ornamental design for a golf club head, as shown and described.

DESCRIPTION

FIG. 1 is a perspective view of a golf club head showing our new design;
FIG. 2 is a front view thereof;
FIG. 3 is a back view thereof;
FIG. 4 is a top view thereof;
FIG. 5 is a bottom view thereof;
FIG. 6 is a right view thereof;
FIG. 7 is a left view thereof; and,
FIG. 8 is an enlarged cross-sectional view taken on line 8-8 of FIG. 3.

The broken lines shown in the figures are included for the purpose of illustrating unclaimed subject matter and forms no part of the claimed design.

1 Claim, 4 Drawing Sheets

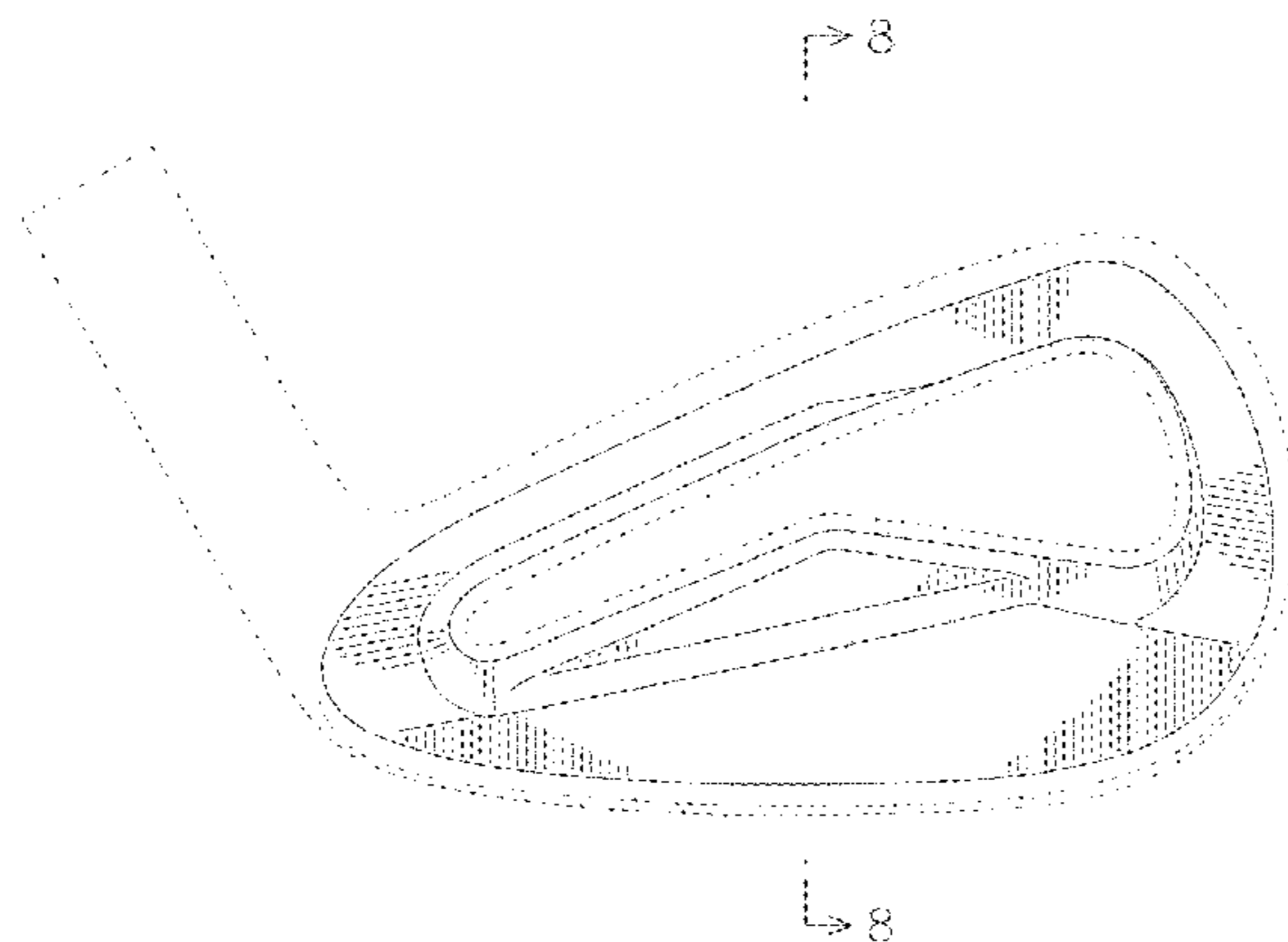


Fig.1

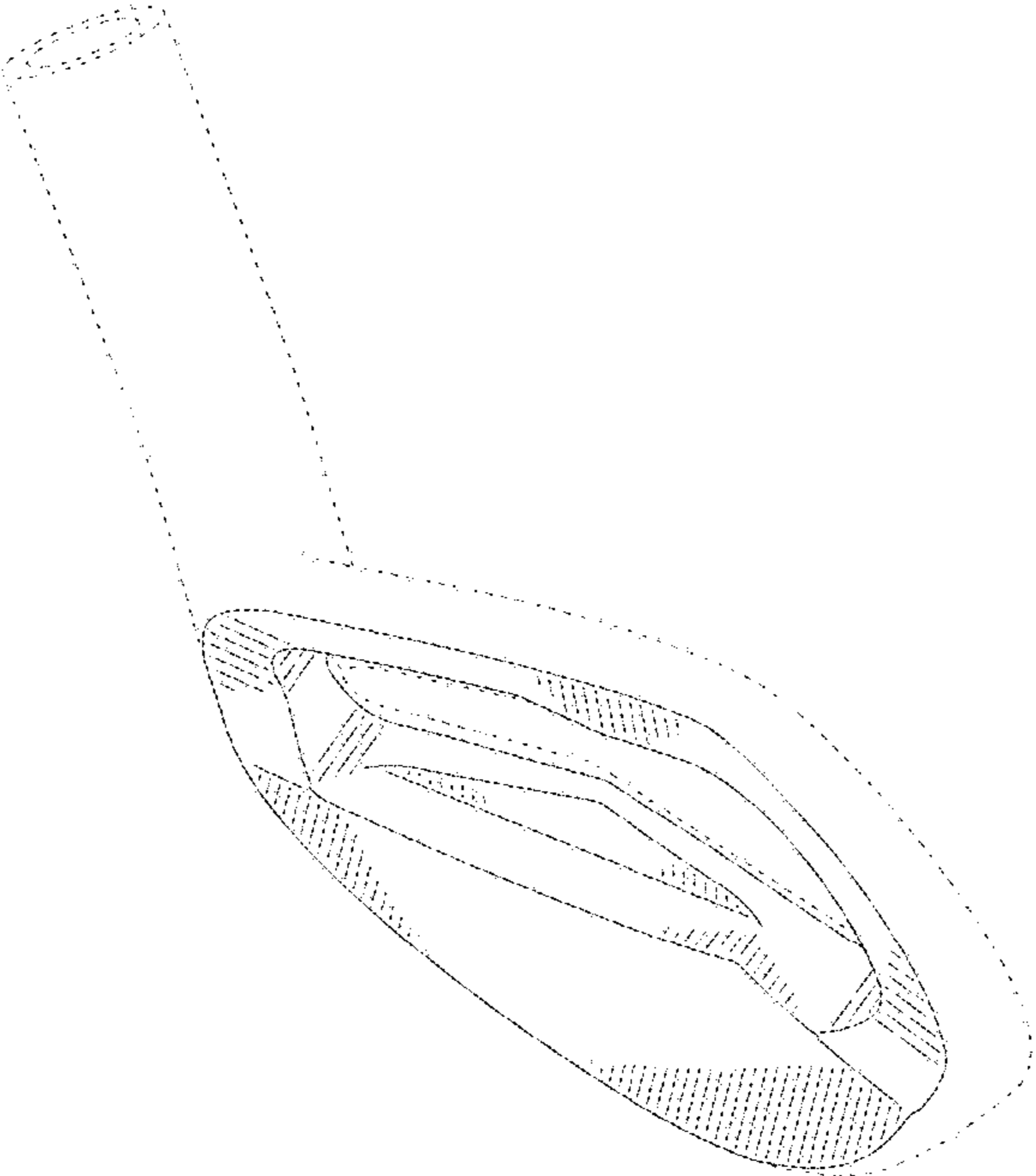


Fig.2

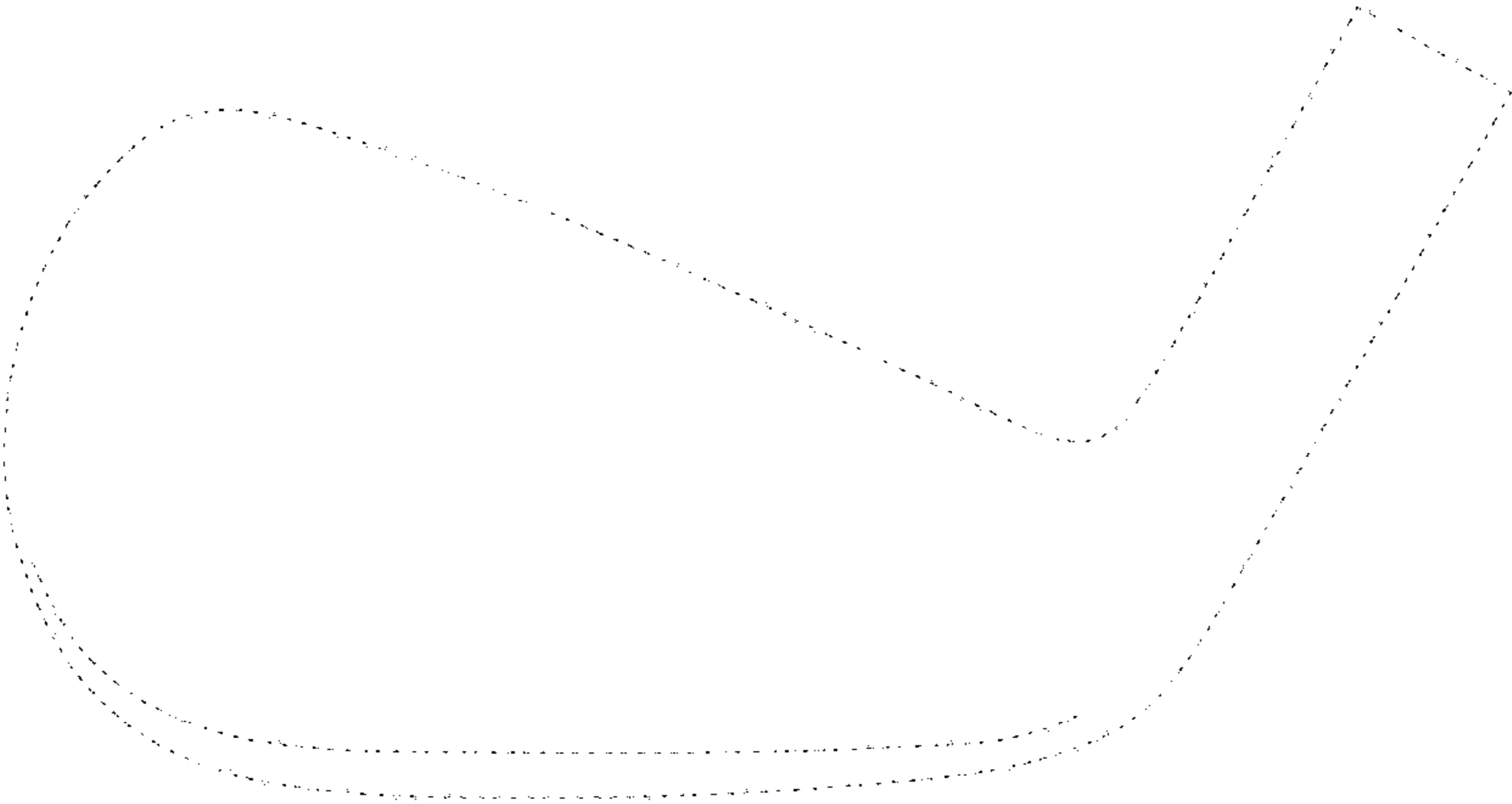


Fig.3

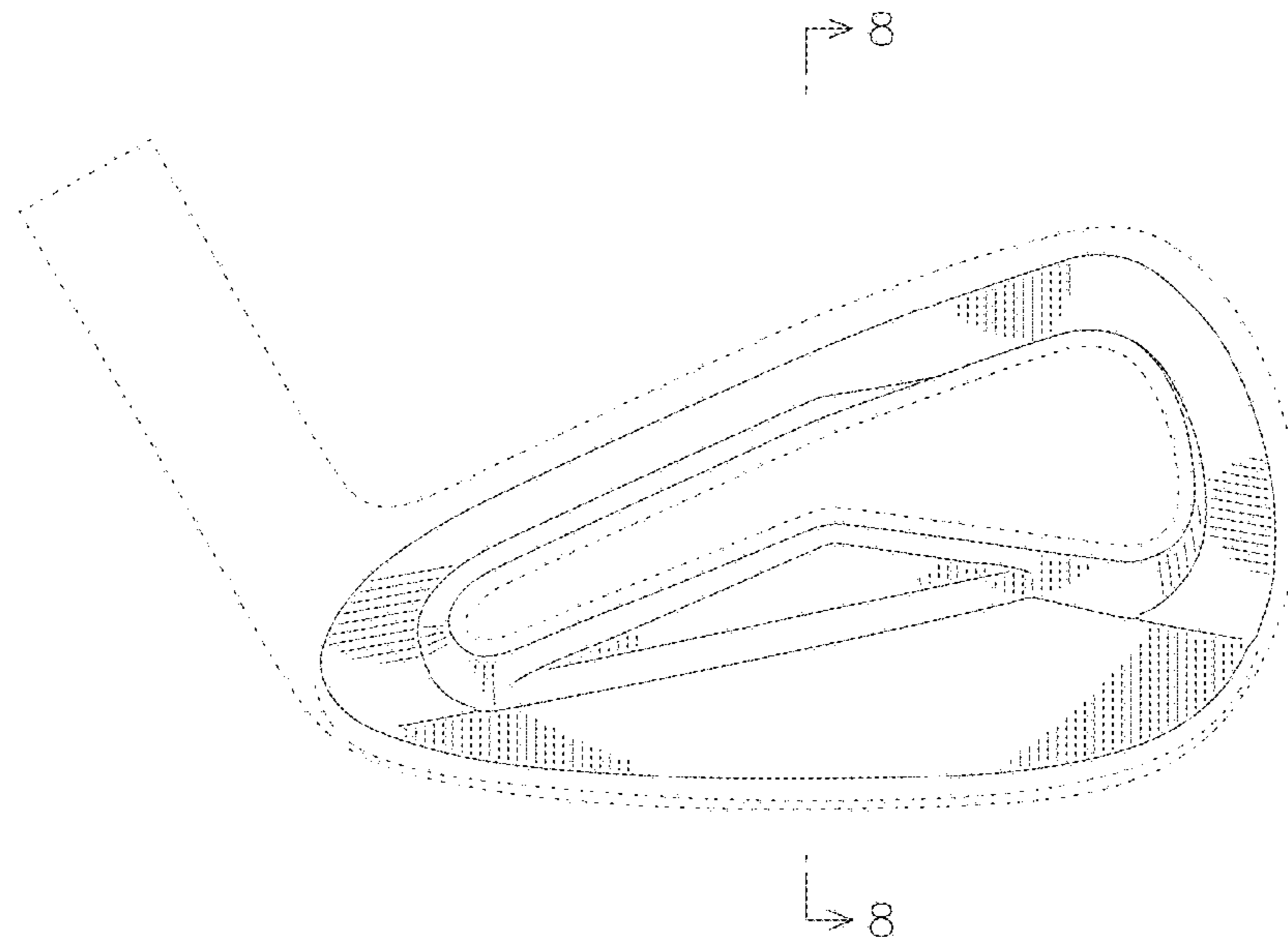


Fig.4

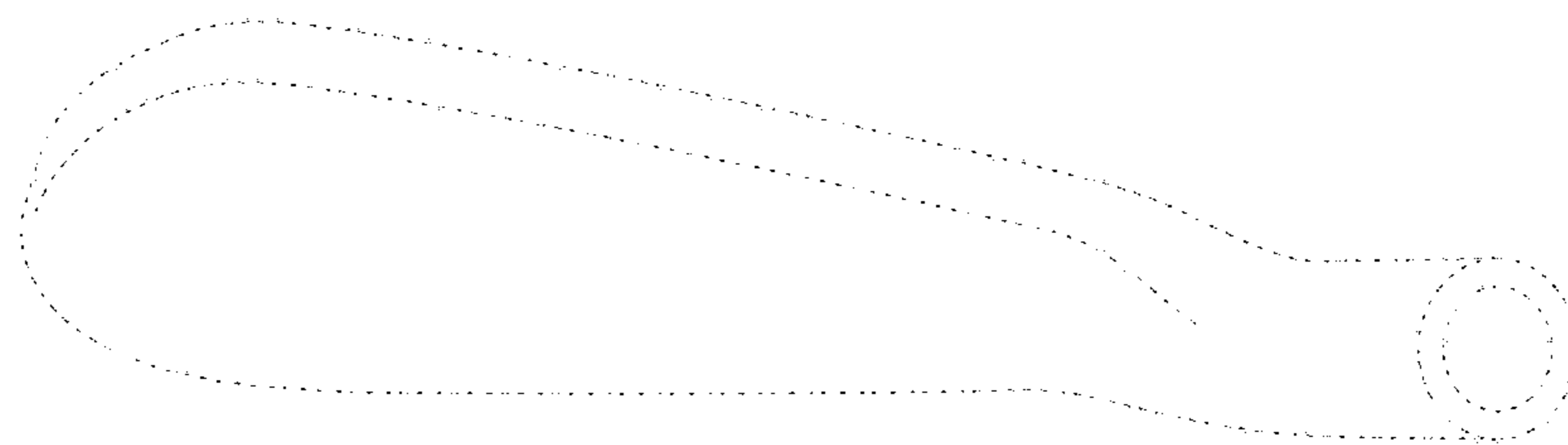


Fig.5

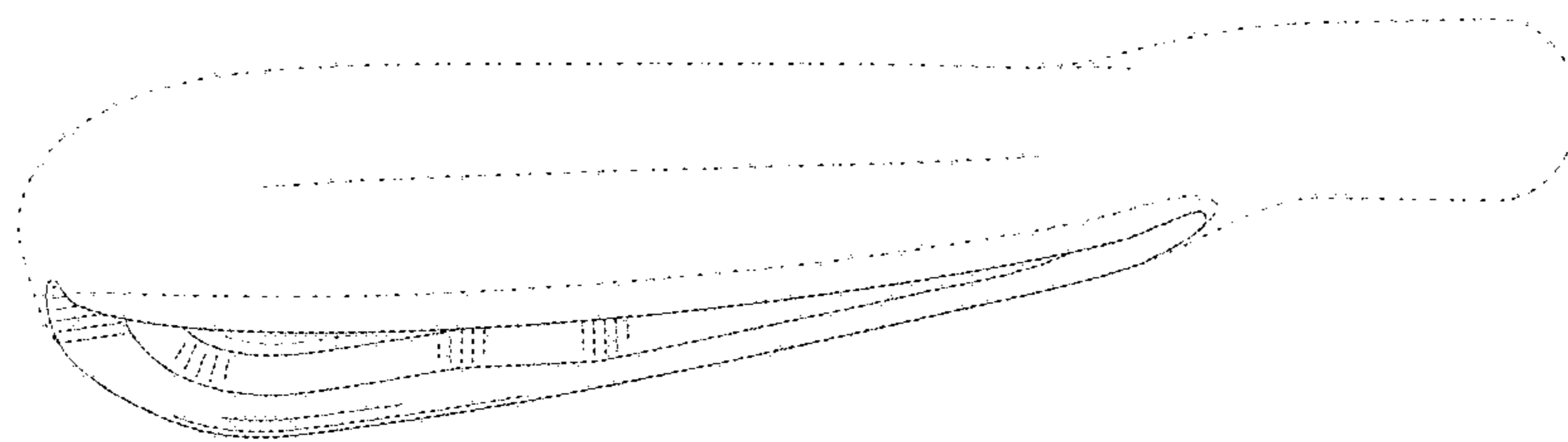


Fig.6

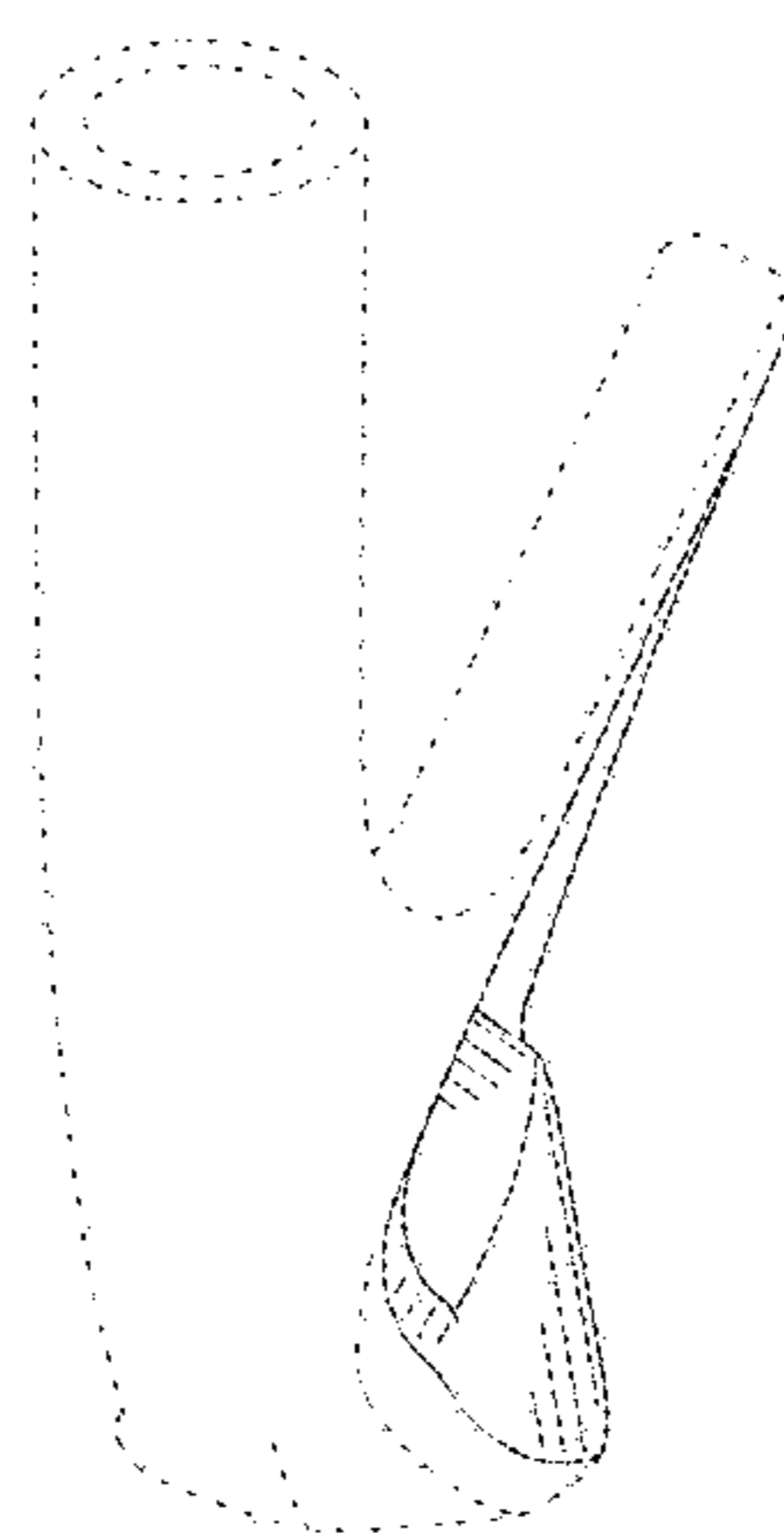


Fig.7

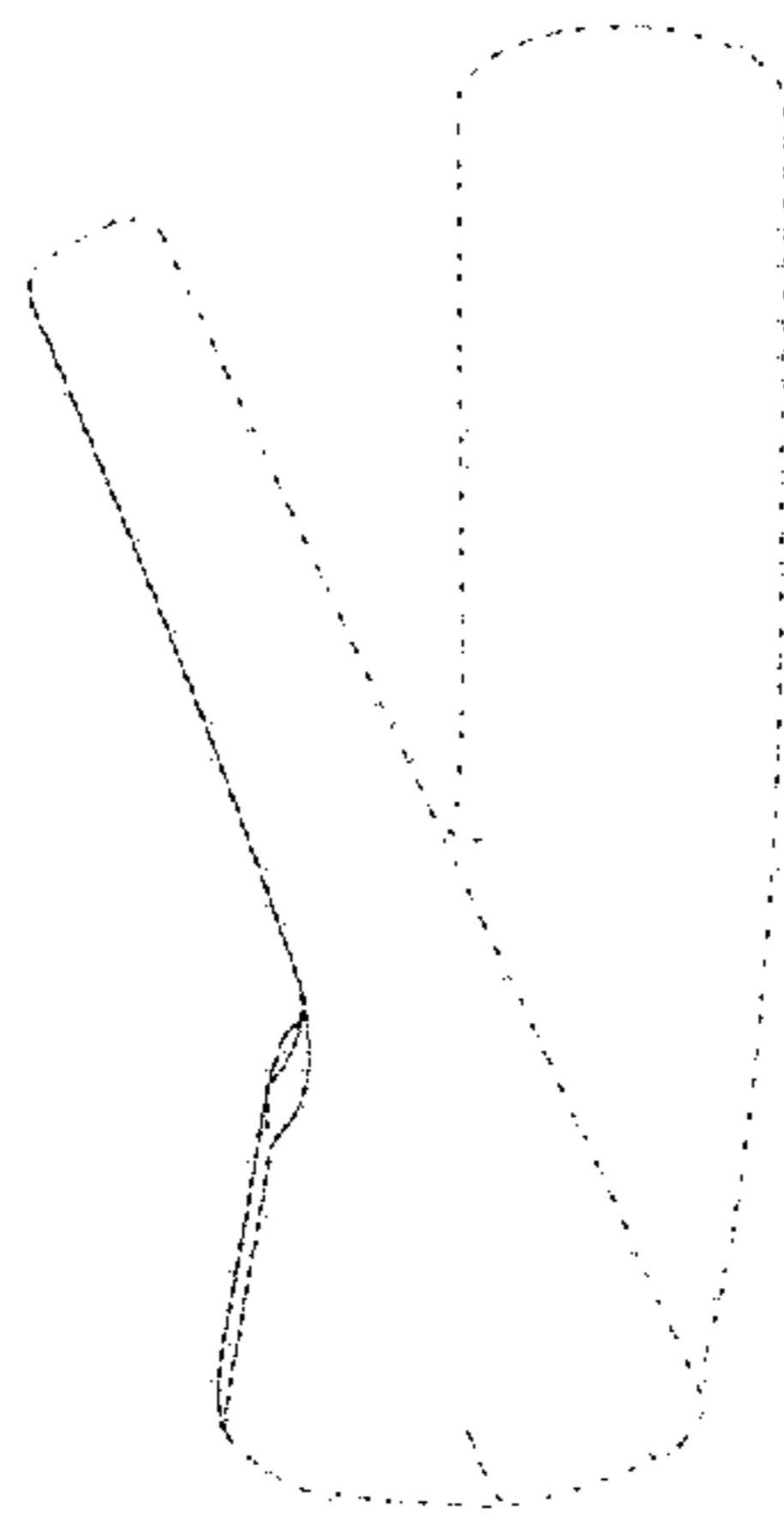


Fig.8

