



US00D861808S

(12) **United States Design Patent**
Shi

(10) **Patent No.:** **US D861,808 S**
(45) **Date of Patent:** **** Oct. 1, 2019**

- (54) **ABDOMINAL WHEEL**
- (71) Applicant: **Beijing Jifeng Technology Co., Limited**, Beijing (CN)
- (72) Inventor: **Jianfei Shi**, Yingkou (CN)
- (73) Assignee: **Beijing Jifeng Technology Co., Limited**, Beijing (CN)
- (**) Term: **15 Years**
- (21) Appl. No.: **29/688,395**
- (22) Filed: **Apr. 22, 2019**
- (51) **LOC (12) Cl.** **21-02**
- (52) **U.S. Cl.**
USPC **D21/688**
- (58) **Field of Classification Search**
USPC 482/132, 140, 123, 142, 145, 127, 907,
482/82, 114, 121, 92, 141, 148, 125, 136,
482/55, 139; D21/662, 681, 760, 679,
D21/686, 689, 671, 779; D12/568, 107,
D12/501, 592; D15/17, 199
CPC A63B 21/0455; A63B 21/068; A63B
21/4033; A63B 22/20; A63B 23/0211;
A63B 21/0004; A63B 21/0552; A63B
2208/0219; A63B 21/00069; A63B
21/023
See application file for complete search history.

- (56) **References Cited**
U.S. PATENT DOCUMENTS
3,403,906 A * 10/1968 Burzenski A63B 22/20
482/108
D224,935 S * 10/1972 Winger D21/662
3,752,475 A * 8/1973 Ott A63B 21/0004
482/127
D306,886 S * 3/1990 Shiek D21/662
D355,235 S * 2/1995 Homma D12/501
5,871,425 A * 2/1999 Gvoich A63B 21/055
482/123

- 6,328,680 B1 * 12/2001 Shifferaw A63B 21/0618
482/127
- D454,929 S * 3/2002 Huang D21/662
- 6,544,153 B2 * 4/2003 Lee A63B 21/0004
482/127
- 6,575,883 B1 * 6/2003 Hinds A63B 21/0004
482/125
- D523,805 S * 6/2006 Martin D12/501
- 7,357,764 B2 * 4/2008 Stearns A63B 21/0552
297/259.1
- D624,136 S * 9/2010 Chen D21/760
- 7,837,603 B1 * 11/2010 Carnell, Sr. A63B 21/0004
482/132
- D666,255 S * 8/2012 Babchinetskaya D21/662
- D669,141 S * 10/2012 MacColl D21/662
- 8,376,914 B2 * 2/2013 Avrett A63B 21/0606
441/129
- D679,347 S 4/2013 Frederick
- 8,613,453 B2 * 12/2013 Chen A63C 17/00
280/11.24
- 9,011,303 B2 * 4/2015 MacColl A63B 21/0004
482/127

(Continued)

Primary Examiner — Ryan Harvey

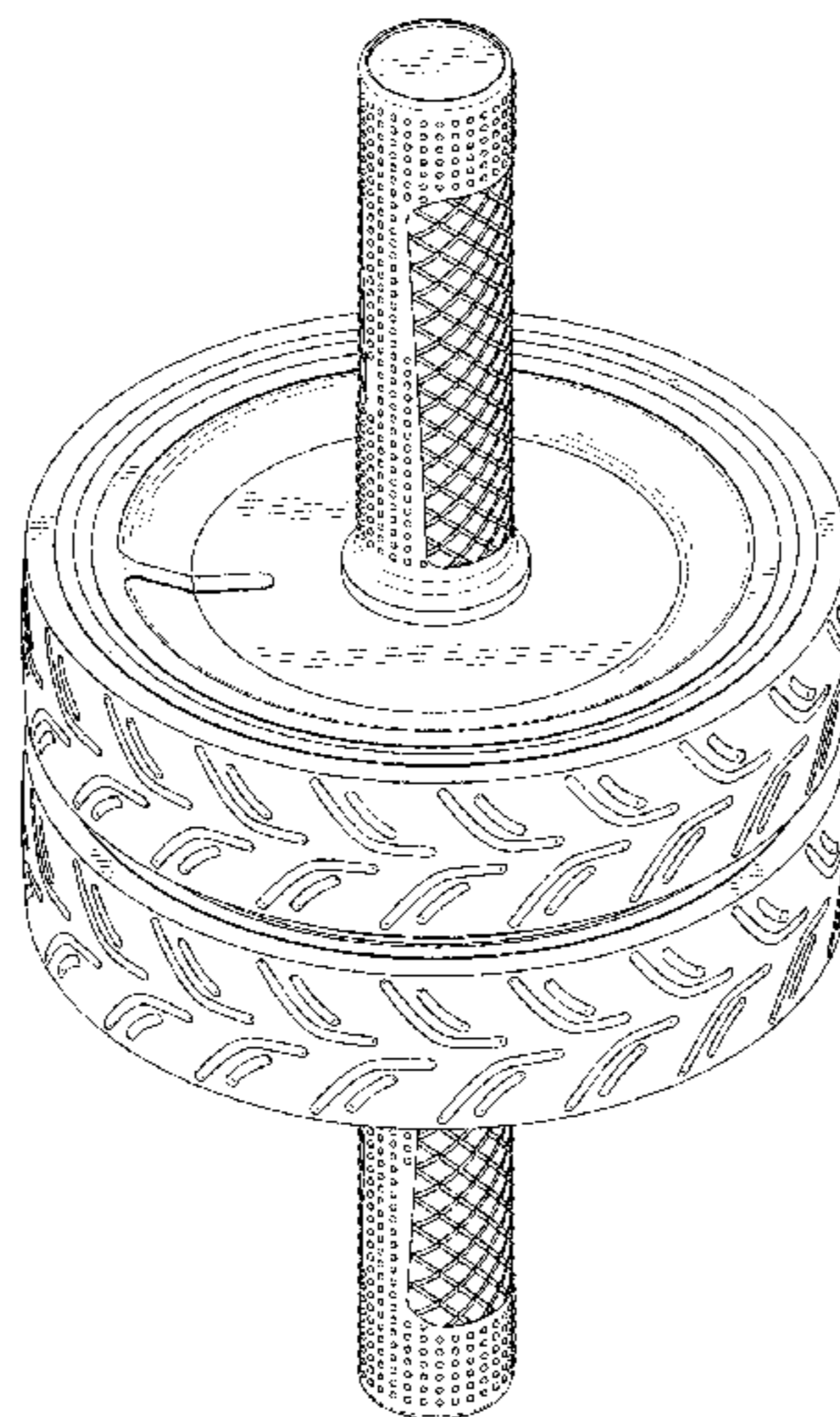
(57) **CLAIM**

The ornamental design for an abdominal wheel, as shown and described.

DESCRIPTION

FIG. 1 is a perspective view of an abdominal wheel showing my design;
 FIG. 2 is a front view thereof;
 FIG. 3 is a back view thereof;
 FIG. 4 is a left side view thereof;
 FIG. 5 is a right side view thereof;
 FIG. 6 is a top view thereof;
 FIG. 7 is a bottom view thereof; and,
 FIG. 8 is a sectional view of the abdominal wheel shown in FIG. 2 and which is taken along view line A-A.

1 Claim, 8 Drawing Sheets



(56)

References Cited

U.S. PATENT DOCUMENTS

D729,698 S *	5/2015	Chen	D12/107	2002/0123416 A1*	9/2002	Huang	A63B 21/153
D733,203 S *	6/2015	Menor	D12/107					482/140
D745,614 S *	12/2015	Ho			2007/0010384 A1*	1/2007	Roberts	A63B 22/20
D747,668 S *	1/2016	Chen	D12/107					482/140
D770,539 S *	11/2016	Mast	D12/501	2011/0160024 A1*	6/2011	Candela	A63B 23/0211
D774,958 S *	12/2016	Chen	D12/107					482/132
D774,959 S *	12/2016	Chen	D12/107	2011/0183824 A1*	7/2011	Yang	A63B 21/0004
D782,391 S *	3/2017	Schaedler	B60C 11/0311					482/132
				D12/501	2012/0172184 A1*	7/2012	Wang	A63B 21/0552
9,586,088 B2*	3/2017	Wong	A63B 23/0211					482/132
D792,332 S *	7/2017	Schaedler	D12/501	2012/0217072 A1*	8/2012	Hoffmann	B60T 7/042
D792,333 S *	7/2017	Schaedler	D12/501					180/21
D808,877 S *	1/2018	Liu	D12/204	2012/0264578 A1*	10/2012	Frederick	A63B 21/0004
D815,217 S	4/2018	Miller et al.							482/132
D816,783 S *	5/2018	Miller	D21/686	2013/0017936 A1*	1/2013	Olson	A63B 21/0004
D818,544 S *	5/2018	Miller	D21/662					482/132
D827,738 S *	9/2018	Miller	D21/688	2013/0281270 A1*	10/2013	Chen	A63B 21/0004
									482/132
					2015/0328491 A1*	11/2015	Miller	A63B 21/00185
									482/82

* cited by examiner

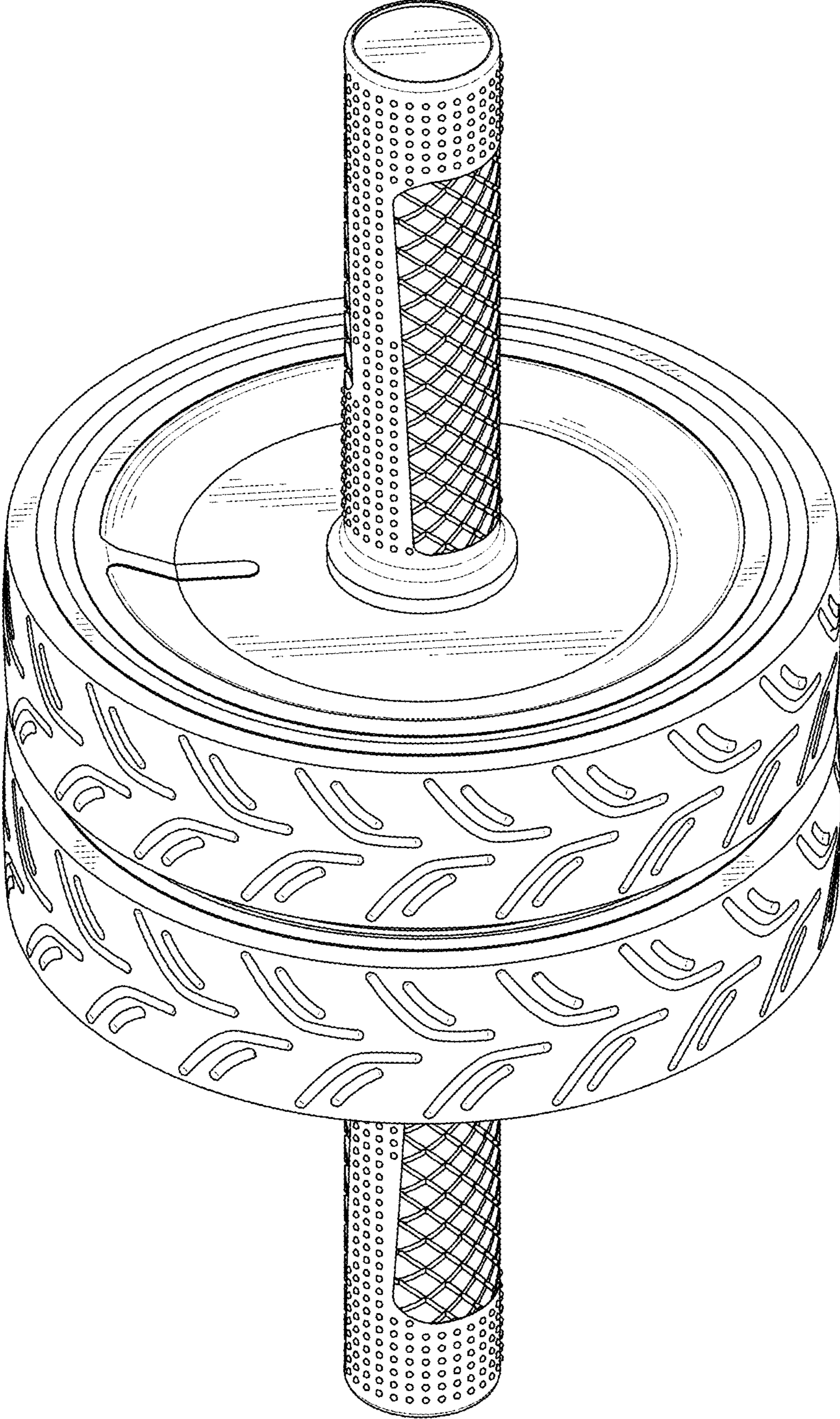
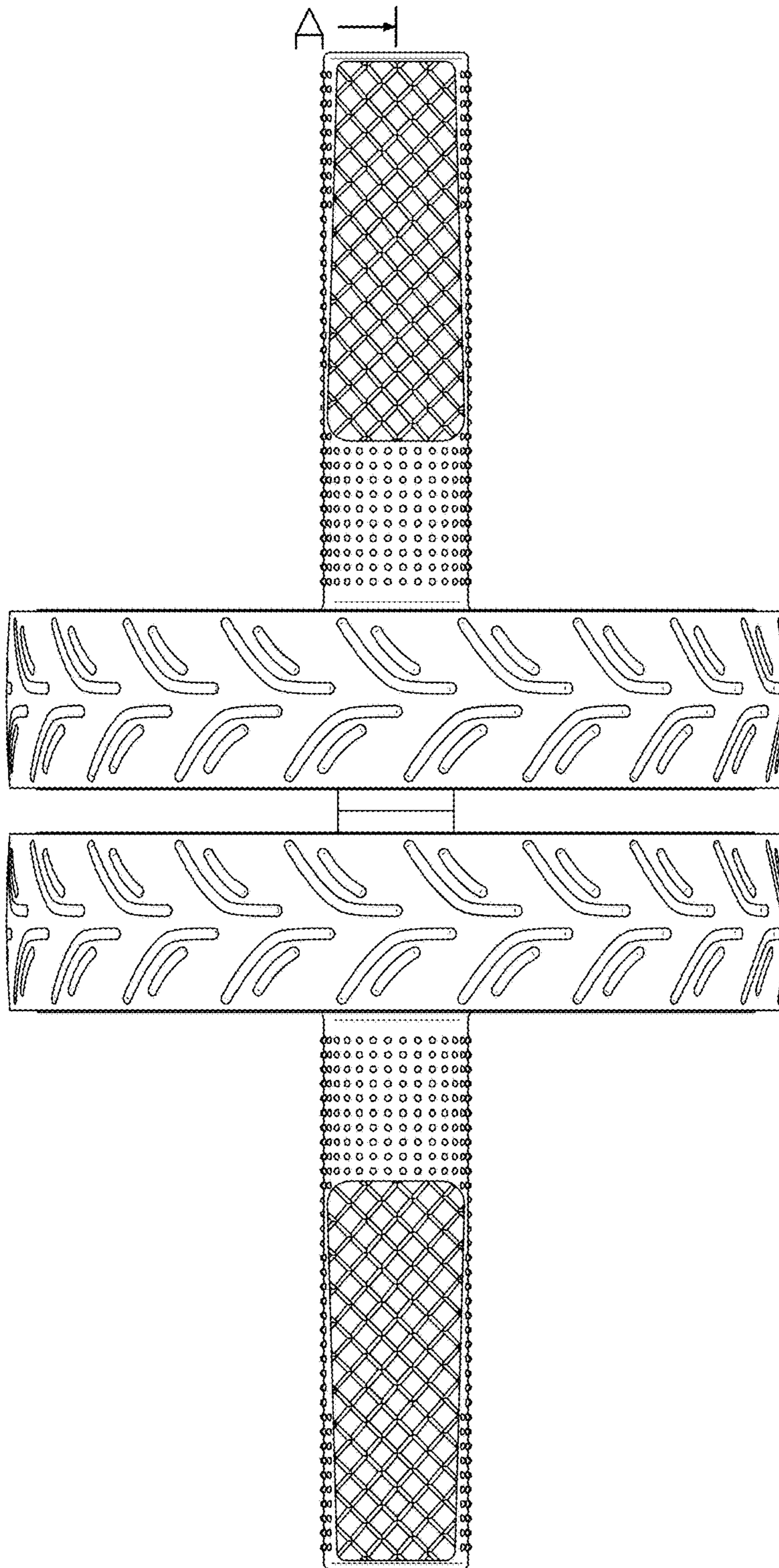


FIG. 1



A →
FIG. 2

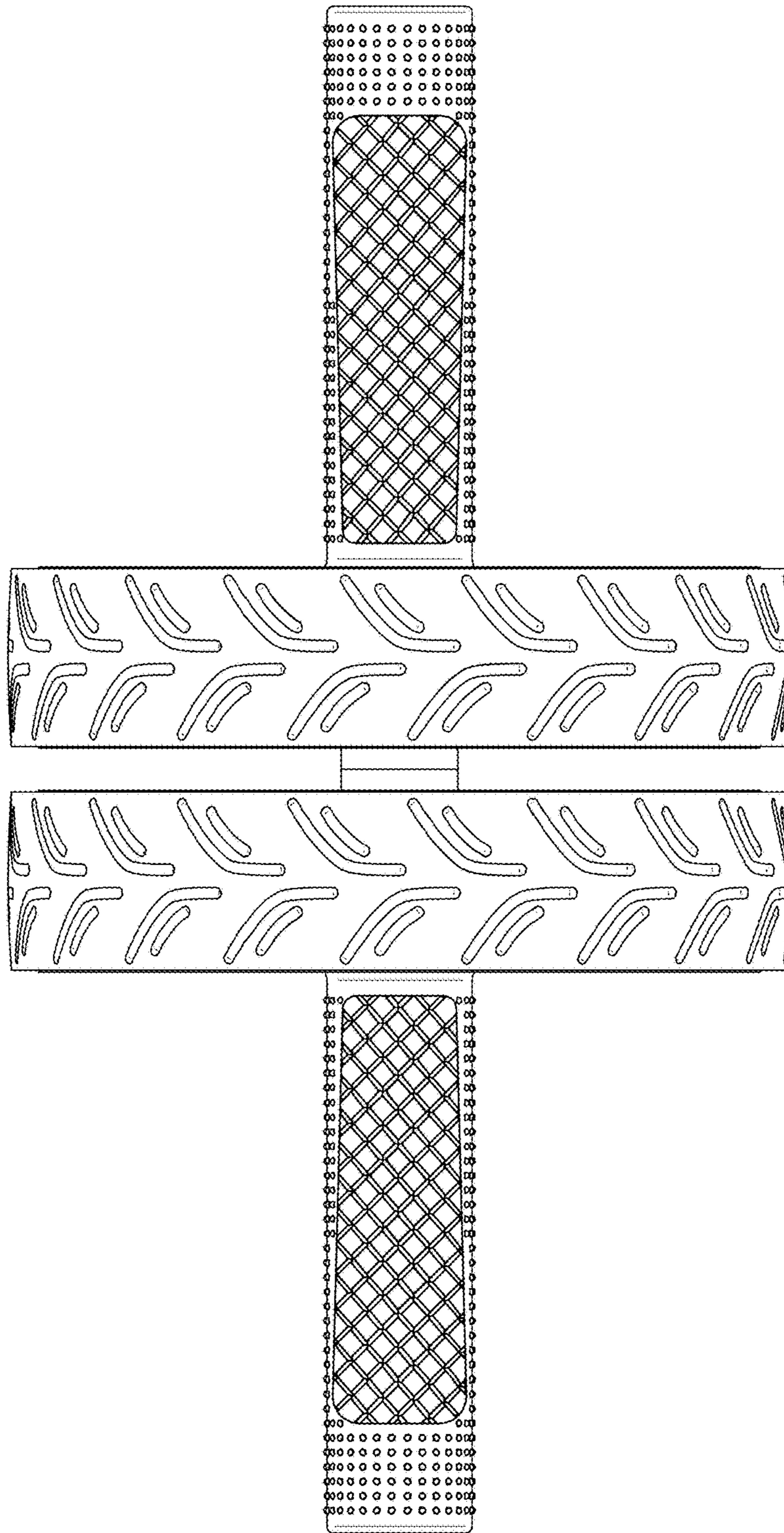


FIG. 3

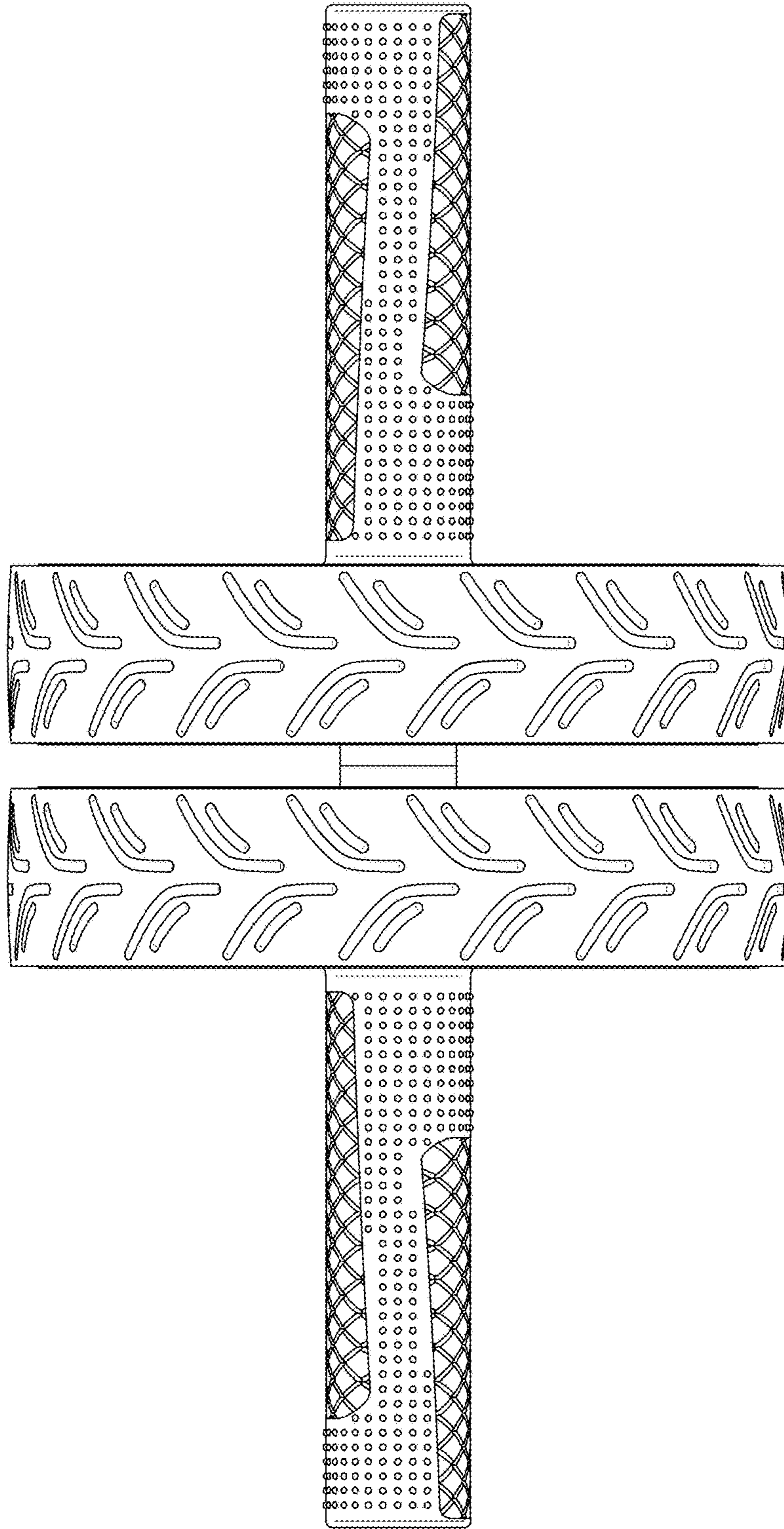


FIG. 4

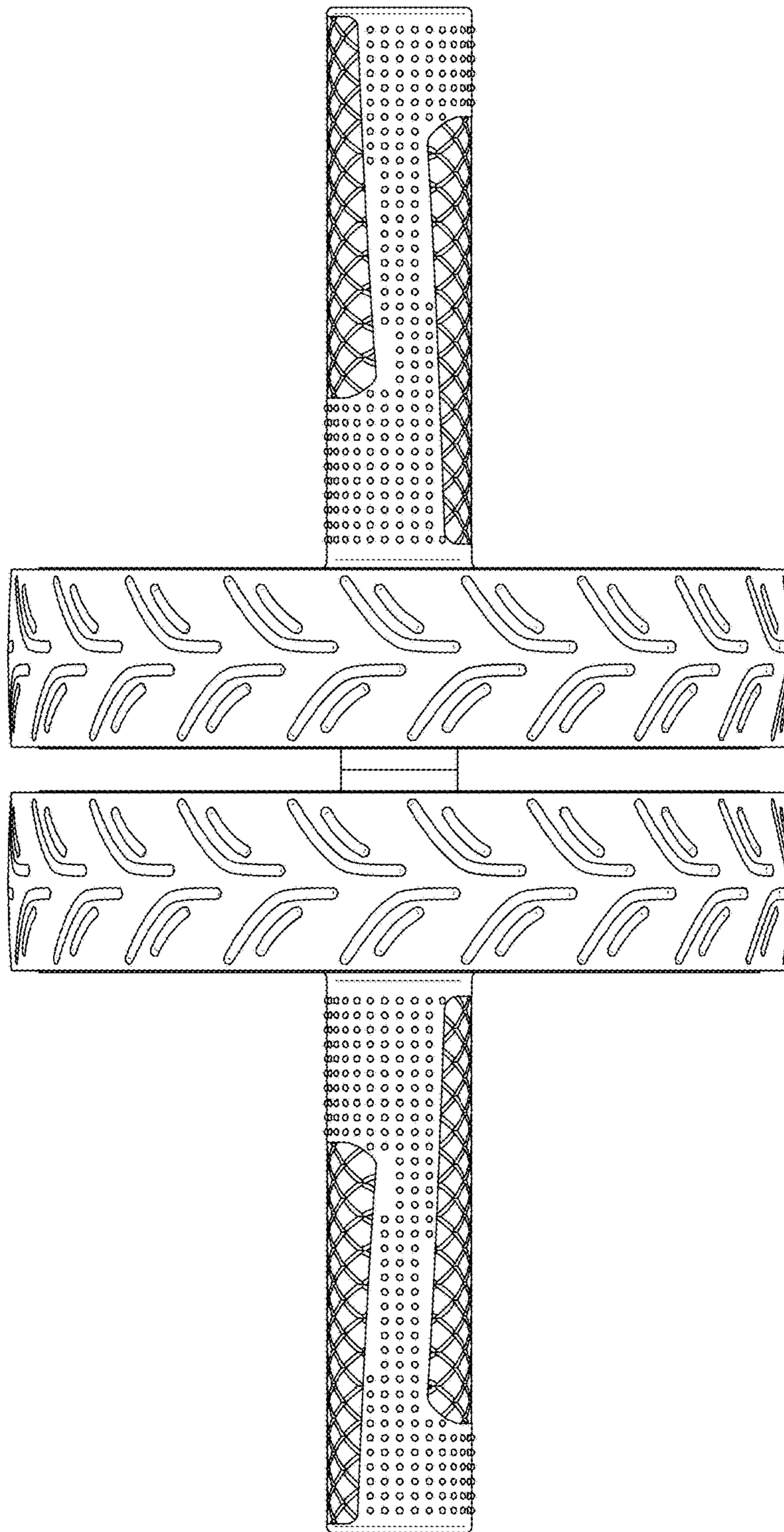


FIG. 5

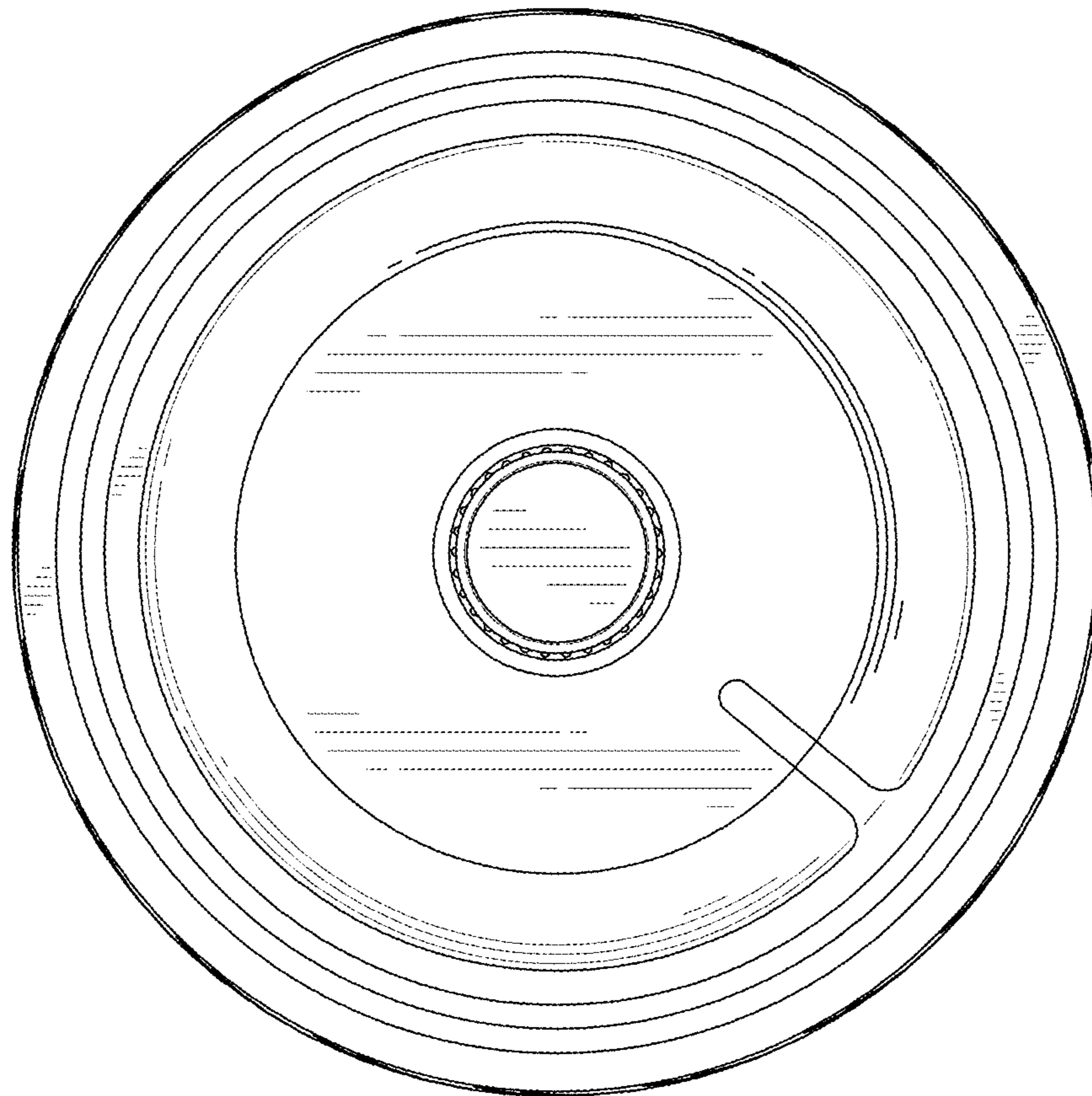


FIG. 6

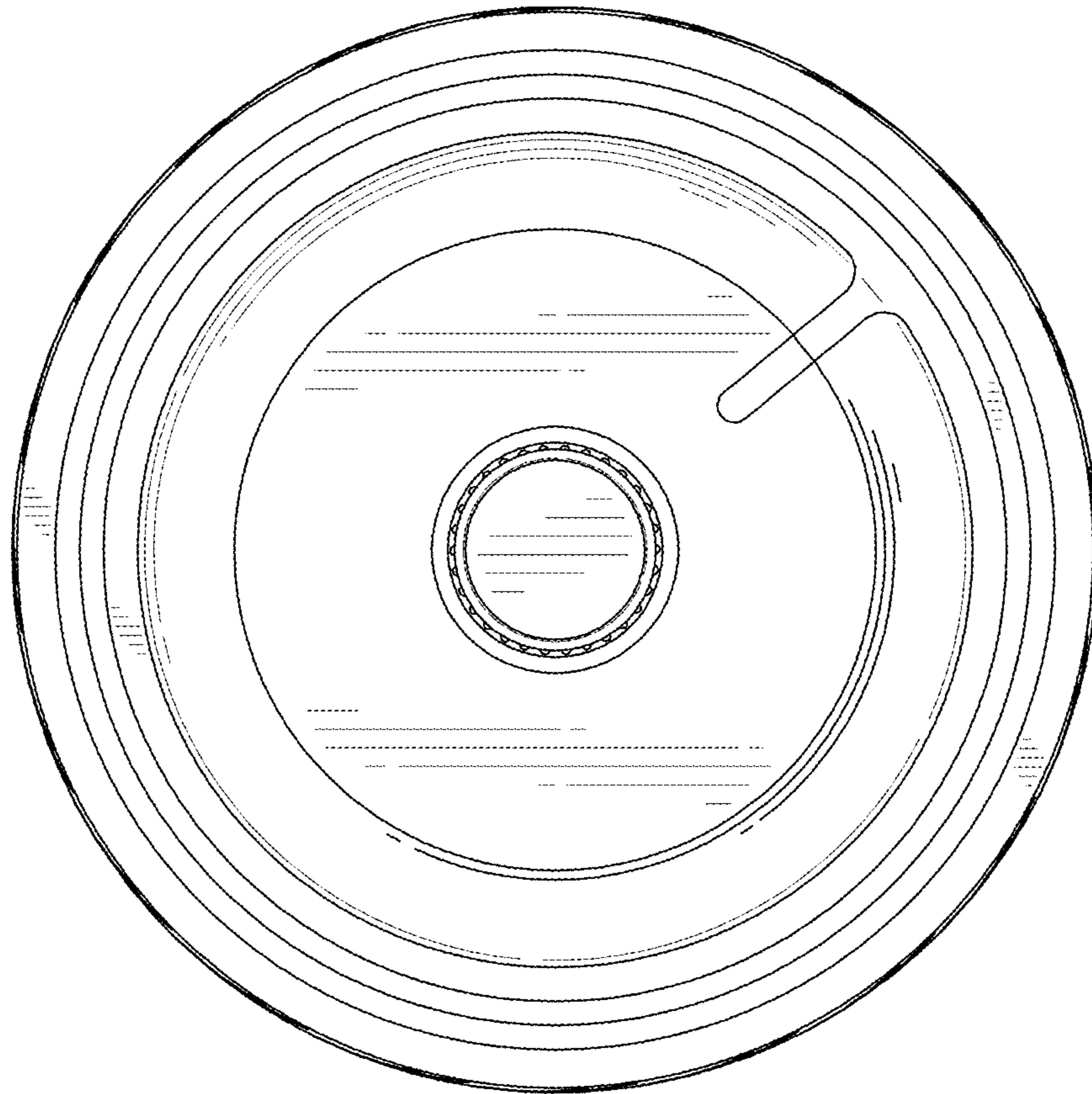


FIG. 7

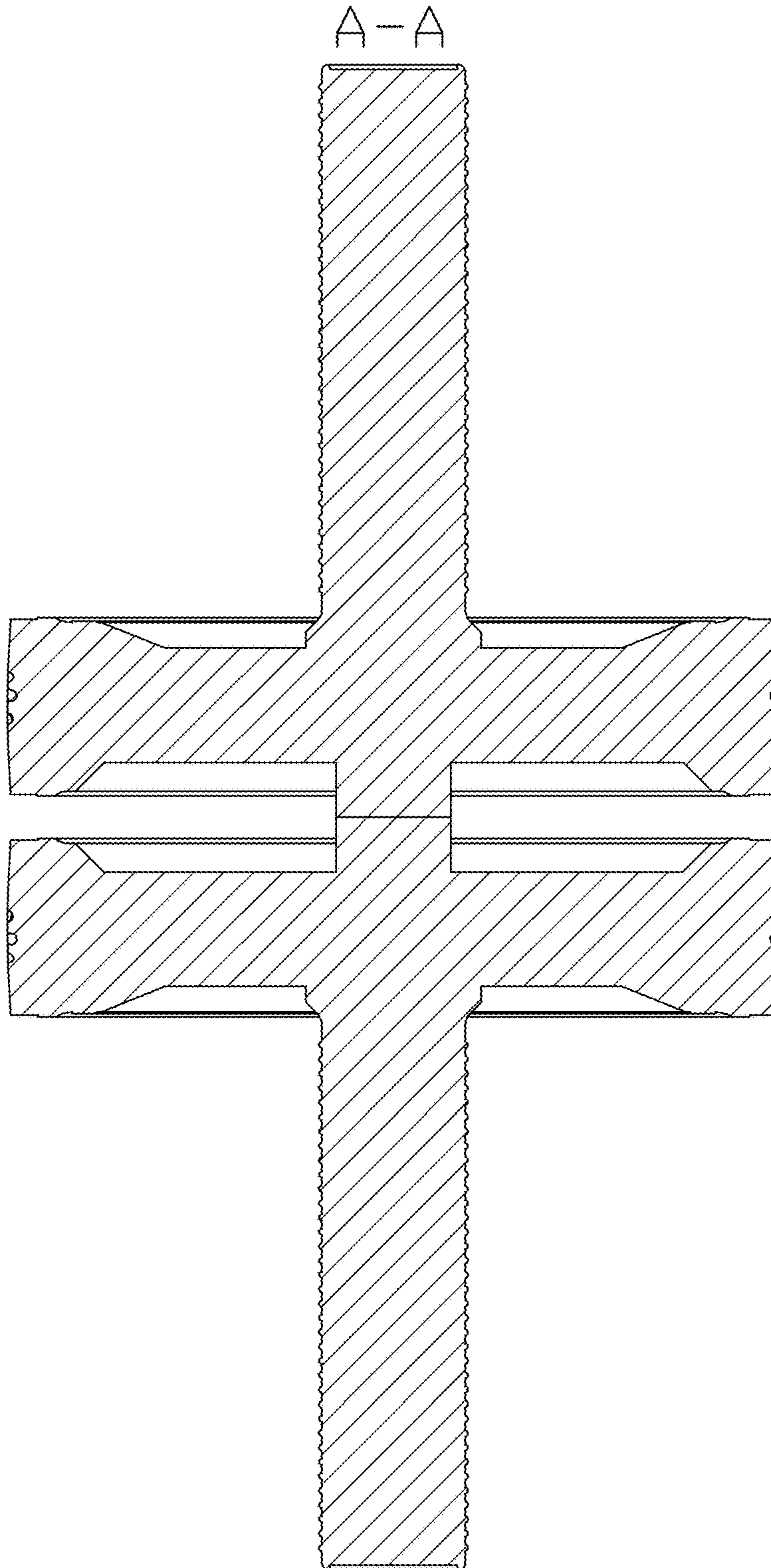


FIG. 8