



US00D861805S

(12) **United States Design Patent**  
**Lisi et al.**

(10) **Patent No.:** **US D861,805 S**  
(45) **Date of Patent:** **\*\* Oct. 1, 2019**

- (54) **ROWING MACHINE**
- (71) Applicant: **TECHNOGYM S.p.A.**, Cesena (IT)
- (72) Inventors: **Ivan Lisi**, Cesena (IT); **Nerio Alessandri**, Cesena (IT)
- (73) Assignee: **TECHNOGYM S.p.A.**, Cesena (IT)
- (\*\*) Term: **15 Years**
- (21) Appl. No.: **29/612,570**
- (22) Filed: **Aug. 2, 2017**
- (30) **Foreign Application Priority Data**

Feb. 3, 2017 (EM) ..... 003738012

- (51) **LOC (12) Cl.** ..... **21-02**
- (52) **U.S. Cl.**  
USPC ..... **D21/674**
- (58) **Field of Classification Search**  
USPC ..... D21/676, 674, 695, 666, 694, 686, 690,  
D21/688, 662, 675; 482/72, 100, 121,  
482/70, 73, 96, 71, 9, 5, 142, 112, 130,  
482/140, 131, 57, 95, 53, 98, 138, 60,  
482/114, 104, 137, 51, 136, 97  
CPC ..... A63B 22/0076; A63B 21/4047; A63B  
21/4035; A63B 2208/0233; A63B  
21/4029; A63B 23/1209; A63B 21/078;  
A63B 2022/0084; A63B 2022/0079  
See application file for complete search history.

(56) **References Cited**

**U.S. PATENT DOCUMENTS**

- D272,376 S \* 1/1984 Cunnington ..... D21/674
- 4,772,013 A \* 9/1988 Tarlow, Jr. .... A63B 21/153  
482/111
- D299,503 S \* 1/1989 McNeil ..... D21/694
- 4,798,378 A \* 1/1989 Jones ..... A63B 21/0052  
482/72

- 4,846,460 A \* 7/1989 Duke ..... A63B 21/153  
482/73
- 4,875,674 A \* 10/1989 Dreissigacker ..... A63B 21/153  
482/9
- 4,880,224 A \* 11/1989 Jonas ..... A63B 21/153  
482/72
- 4,884,800 A \* 12/1989 Duke ..... A63B 21/154  
482/73
- 4,997,181 A \* 3/1991 Lo ..... A63B 21/0088  
482/110
- 5,072,929 A \* 12/1991 Peterson ..... A63B 22/0076  
310/105
- D324,709 S \* 3/1992 Lehtonen ..... D21/674
- D337,799 S \* 7/1993 Cutter ..... D21/666
- 5,295,931 A \* 3/1994 Dreibelbis ..... A63B 21/1609  
482/125
- D352,534 S \* 11/1994 Dreibelbis ..... D21/674

(Continued)

*Primary Examiner* — Ryan Harvey

(74) *Attorney, Agent, or Firm* — Thomas|Horstemeyer,  
LLP

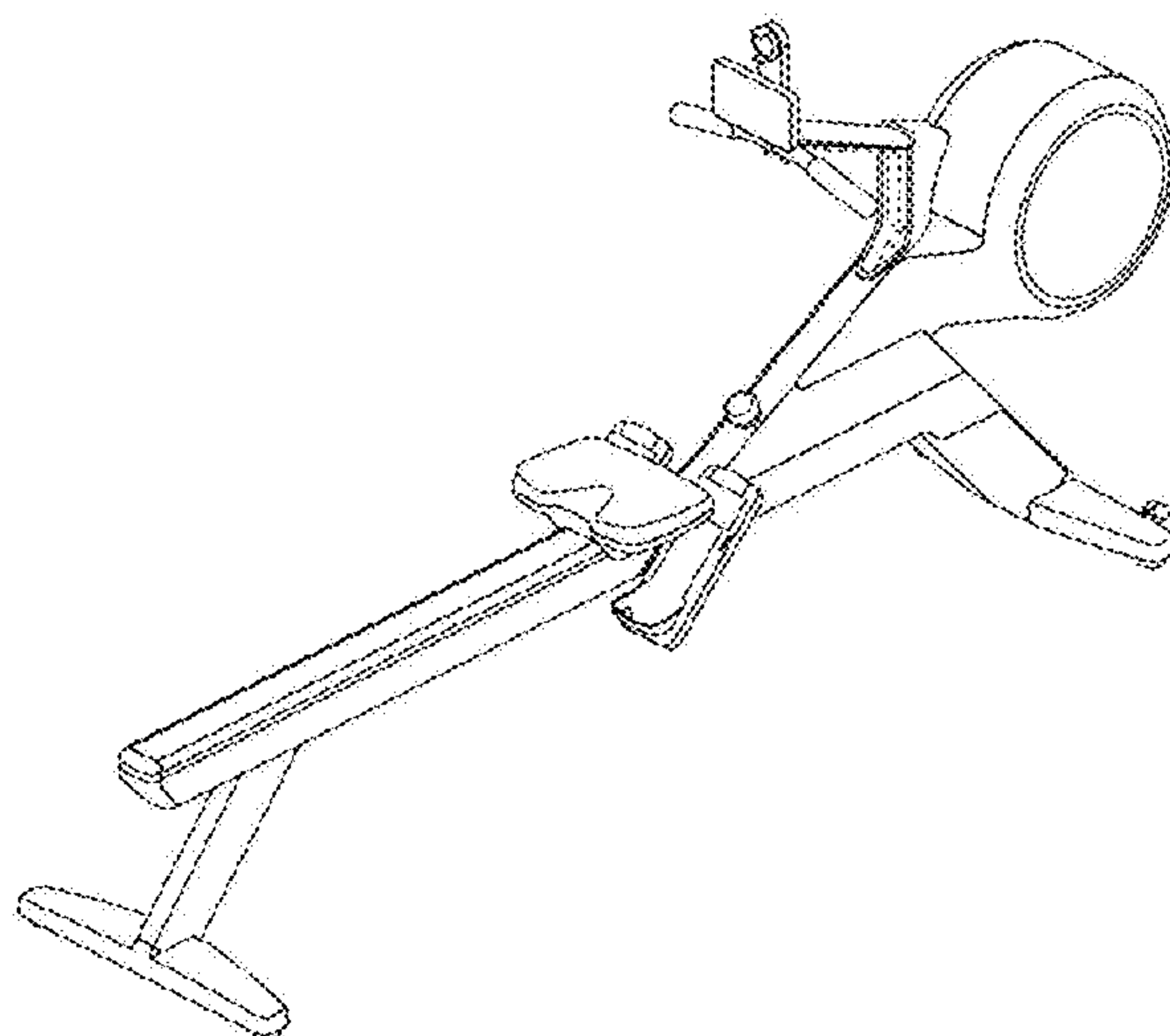
(57) **CLAIM**

The ornamental design for rowing machine, as shown and described.

**DESCRIPTION**

FIG. 1 is a perspective view of rowing machine showing our new design;  
 FIG. 2 is a front view thereof;  
 FIG. 3 is a rear view thereof, opposite that of FIG. 2;  
 FIG. 4 is a side view thereof;  
 FIG. 5 is a side view thereof, from a side opposite that of FIG. 4;  
 FIG. 6 is a top view thereof; and,  
 FIG. 7 is a bottom view thereof, opposite that of FIG. 6.  
 The broken lines shown in the drawings are for the purpose of illustrating portions of the rowing machine that form no part of the claimed design.

**1 Claim, 7 Drawing Sheets**



(56)

References Cited

U.S. PATENT DOCUMENTS

5,370,593 A \* 12/1994 Wang ..... A63B 21/0083  
482/51  
5,382,210 A \* 1/1995 Rekers ..... A63B 21/157  
482/125  
D358,855 S \* 5/1995 Wang ..... D21/674  
D362,283 S \* 9/1995 Lee ..... D21/674  
5,470,295 A \* 11/1995 Wang ..... A63B 21/068  
482/71  
D367,508 S \* 2/1996 Dreissigacker ..... D21/674  
5,707,322 A \* 1/1998 Dreissigacker ..... A63B 21/227  
482/72  
D414,519 S \* 9/1999 Wang ..... D21/676  
6,749,546 B2 \* 6/2004 Yang ..... A63B 21/153  
482/116  
6,960,156 B2 \* 11/2005 Smith ..... A63B 21/0088  
482/51  
6,991,589 B1 \* 1/2006 Patterson ..... A63B 21/0088  
482/142  
D533,910 S \* 12/2006 Dibble ..... D21/676

D550,789 S \* 9/2007 Dibble ..... D21/676  
7,270,630 B1 \* 9/2007 Patterson ..... A63B 22/0076  
482/121  
D566,798 S \* 4/2008 Dibble ..... D21/676  
8,192,332 B2 \* 6/2012 Baker ..... A63B 22/0076  
482/133  
D691,678 S \* 10/2013 Cardillo ..... D21/662  
8,608,626 B2 \* 12/2013 Campbell ..... A63B 22/0076  
482/72  
9,028,374 B1 \* 5/2015 Brady ..... A63B 22/0076  
482/72  
D741,420 S \* 10/2015 Campanaro ..... D21/674  
9,375,604 B2 \* 6/2016 Yeh ..... A63B 22/0046  
D788,861 S \* 6/2017 Campanaro ..... D21/674  
9,750,972 B1 \* 9/2017 Liu ..... A63B 22/0087  
9,764,186 B2 \* 9/2017 Dalebout ..... A63B 22/0076  
9,827,459 B2 \* 11/2017 Hsu ..... A63B 21/0442  
9,878,200 B2 \* 1/2018 Edmondson ..... A63B 22/0076  
9,901,768 B1 \* 2/2018 Wu ..... A63B 21/0058  
9,974,995 B2 \* 5/2018 Hall ..... A63B 21/4035  
9,974,996 B2 \* 5/2018 Kiser ..... A63B 22/0076  
10,010,747 B2 \* 7/2018 Campanaro ..... A63B 22/0087

\* cited by examiner

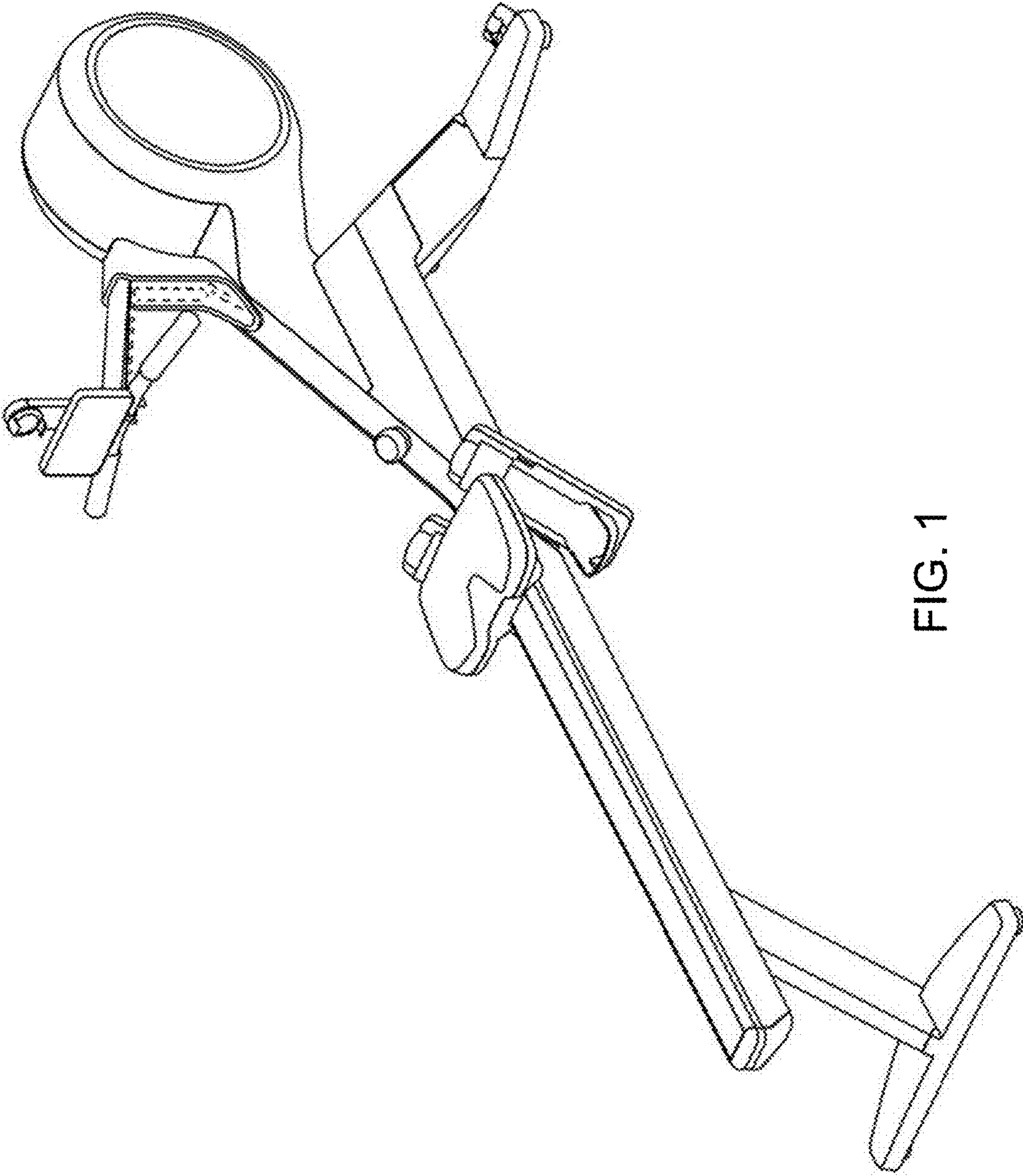


FIG. 1

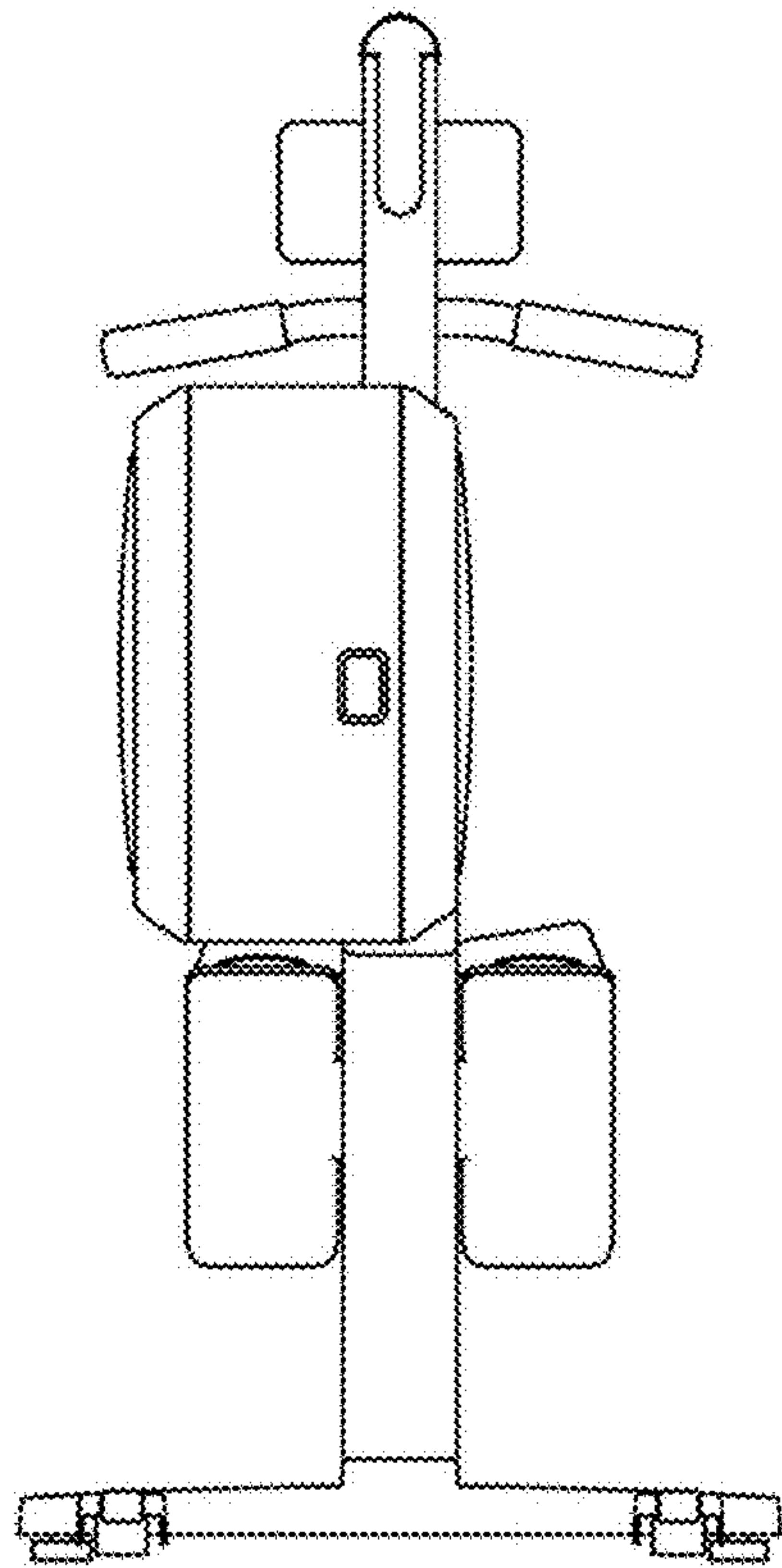


FIG. 2



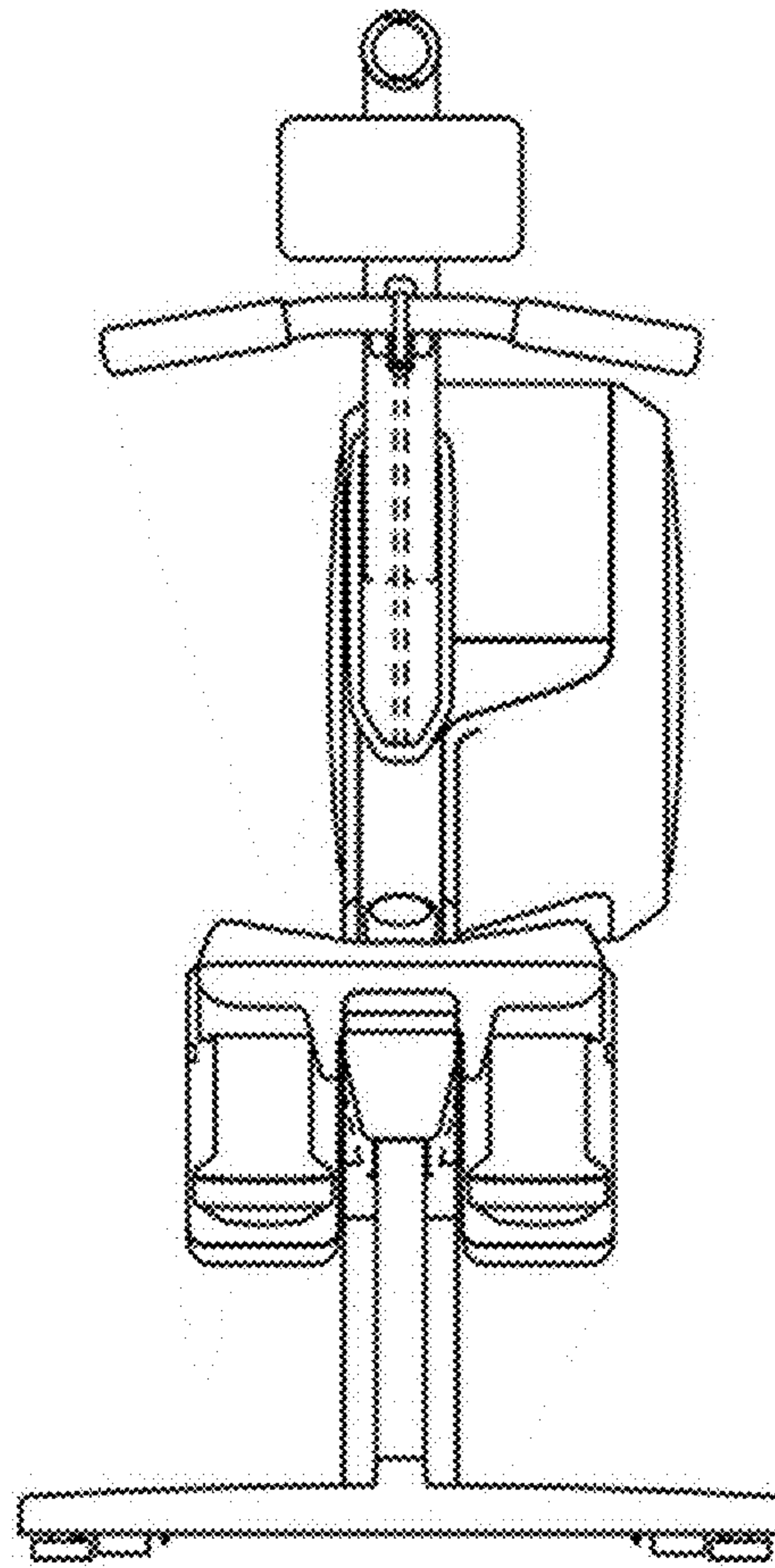


FIG. 3

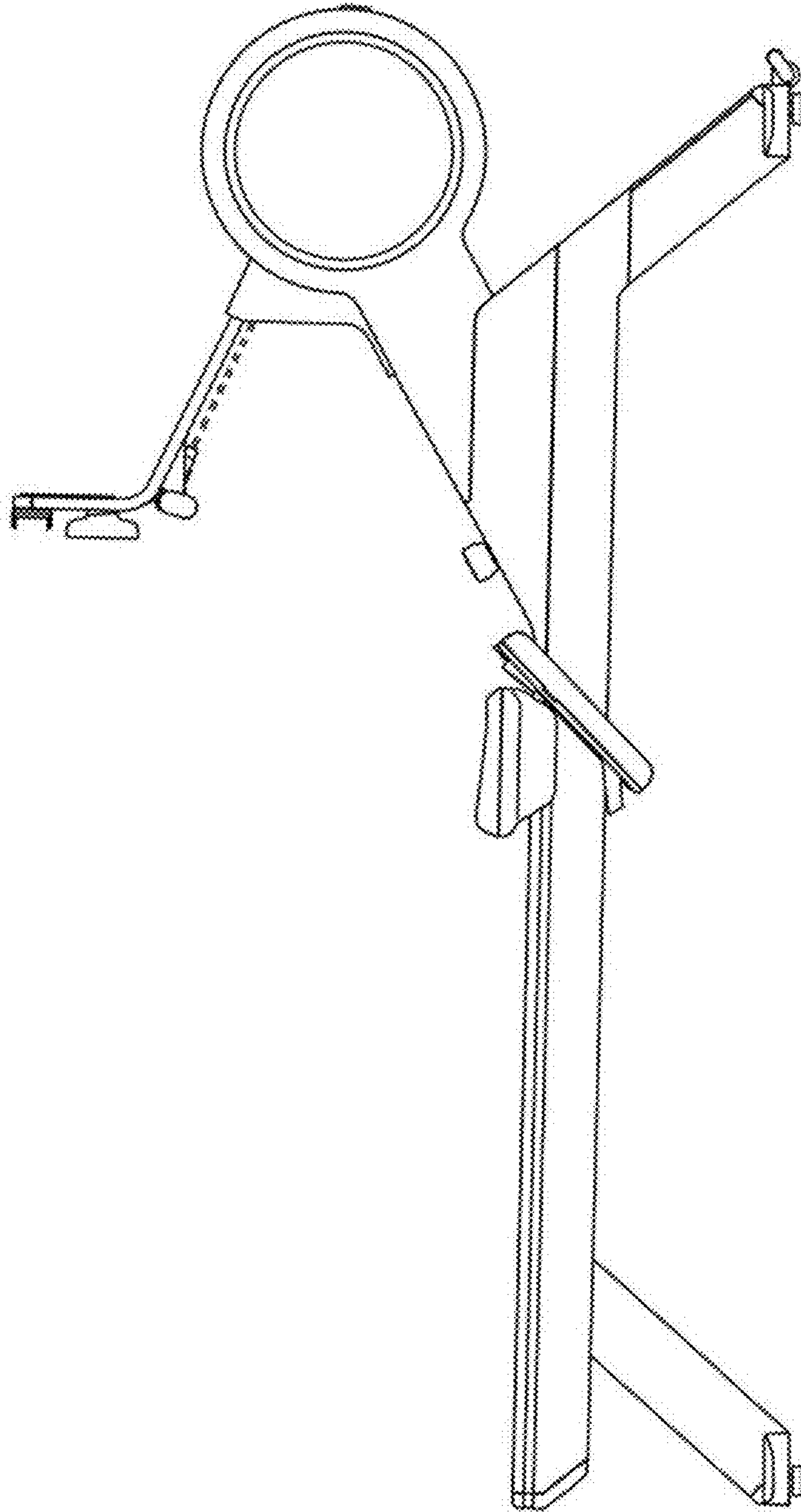


FIG. 4

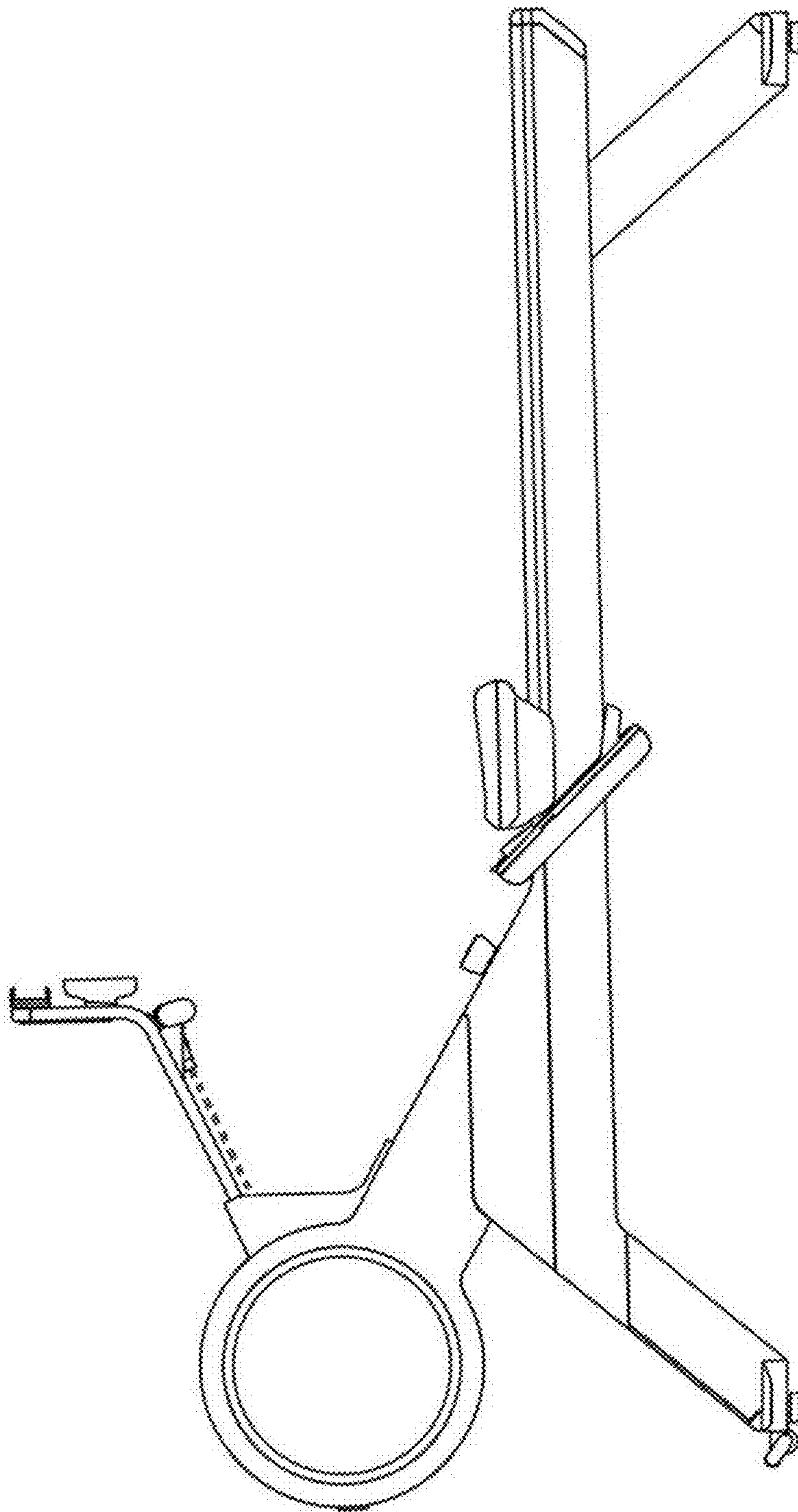


FIG. 5

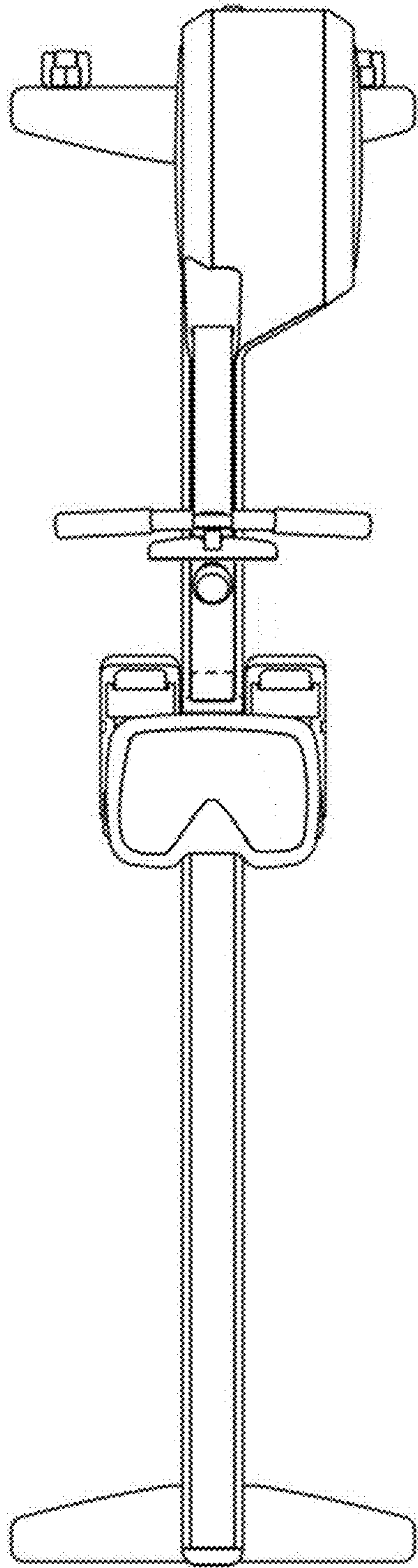


FIG. 6



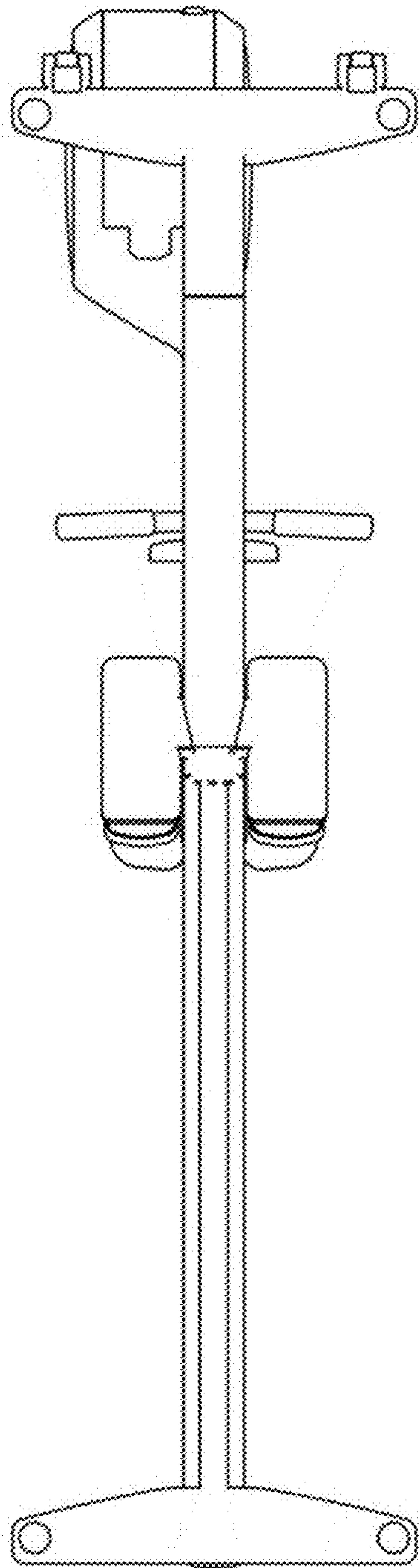


FIG. 7