



US00D861802S

(12) **United States Design Patent**
Yeung

(10) **Patent No.:** **US D861,802 S**

(45) **Date of Patent:** **** Oct. 1, 2019**

(54) **TOY CAR CIRCULATION PLATE**
(71) Applicant: **KAI JAL INDUSTRIAL LIMITED,**
Kowloon (HK)
(72) Inventor: **Yu Ki Yeung,** Kowloon (HK)
(73) Assignee: **Zhengbiao Ouyang,** Shenzhen (CN)
(**) Term: **15 Years**

5,254,030 A * 10/1993 Ostendorff A63H 18/026
124/26
D361,802 S * 8/1995 Shiraishi D21/564
D387,099 S * 12/1997 Kusumi D21/564
5,899,789 A * 5/1999 Rehkemper A63H 18/00
446/431
D422,652 S * 4/2000 Watanabe D21/564
D490,126 S * 5/2004 Nakane D21/564
9,114,323 B2 * 8/2015 Lennon A63H 18/02
9,457,284 B2 * 10/2016 Ostendorff A63H 18/00

* cited by examiner

(21) Appl. No.: **29/645,272**
(22) Filed: **Apr. 25, 2018**
(51) **LOC (12) Cl.** **21-01**
(52) **U.S. Cl.**
USPC **D21/565**
(58) **Field of Classification Search**
USPC D21/509, 564, 565
CPC A63H 18/00; A63H 18/026; A63H 18/028
See application file for complete search history.

Primary Examiner — Cynthia M. Chin
(74) *Attorney, Agent, or Firm* — Zhihua Han

(57) **CLAIM**

I claim the ornamental design for the toy car circulation plate, as shown and described.

DESCRIPTION

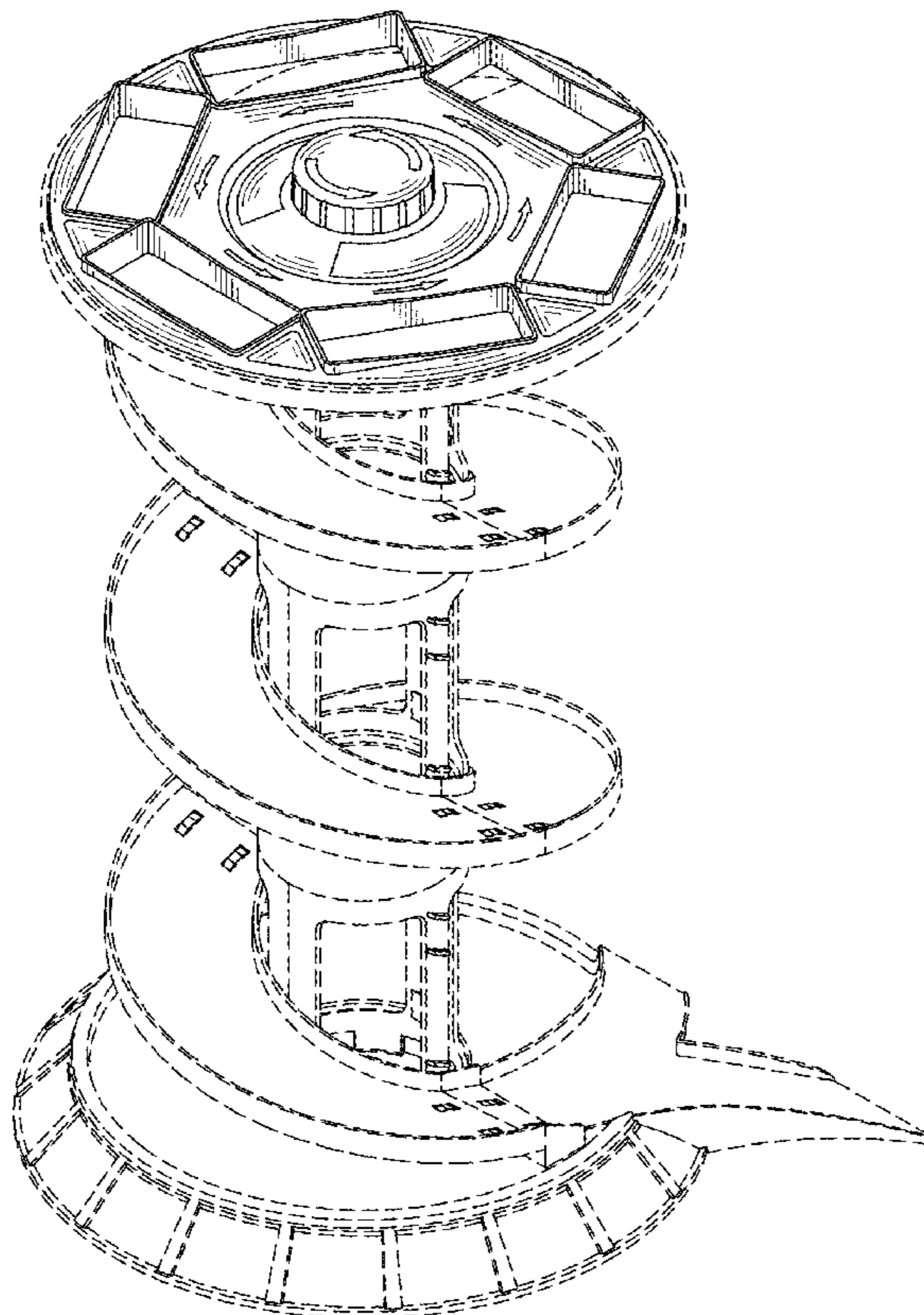
FIG. 1 is an upper prospective view of a toy showing my new design;
FIG. 2 is a front elevational view thereof;
FIG. 3 is a rear elevational view thereof;
FIG. 4 is a left side elevational view thereof;
FIG. 5 is a right side elevational view thereof;
FIG. 6 is a top plan view thereof; and,
FIG. 7 is a bottom plan view thereof.
The broken lines represent the environment in which the article resides and forms no part of the claimed design.

(56) **References Cited**

U.S. PATENT DOCUMENTS

D192,368 S * 3/1962 Genin et al. D21/565
D213,787 S * 4/1969 Musser D21/564
D269,360 S * 6/1983 Ng D21/509
D297,747 S * 9/1988 Leung D21/564
4,961,716 A * 10/1990 Hippely A63H 18/026
414/917

1 Claim, 7 Drawing Sheets



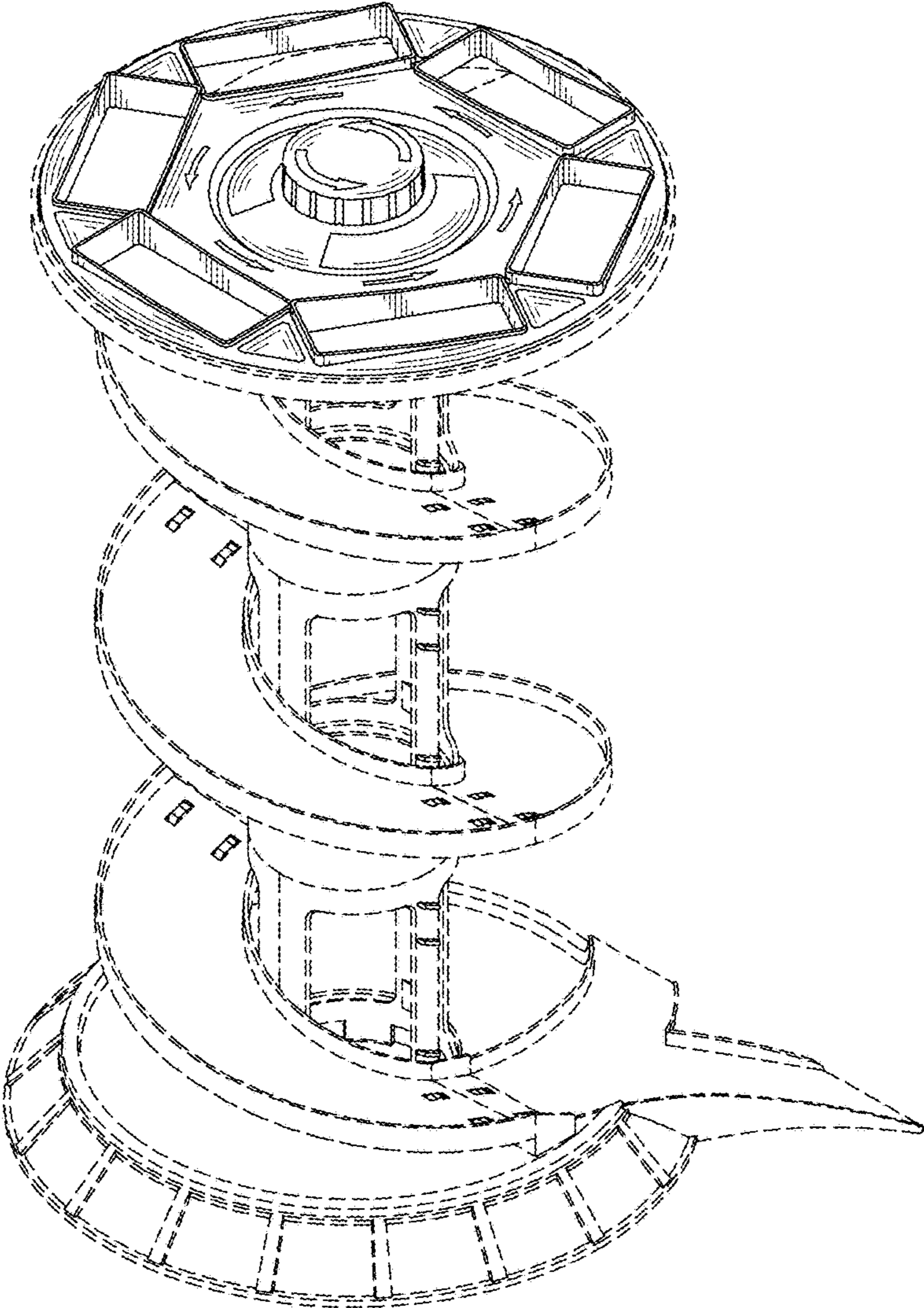


FIG. 1

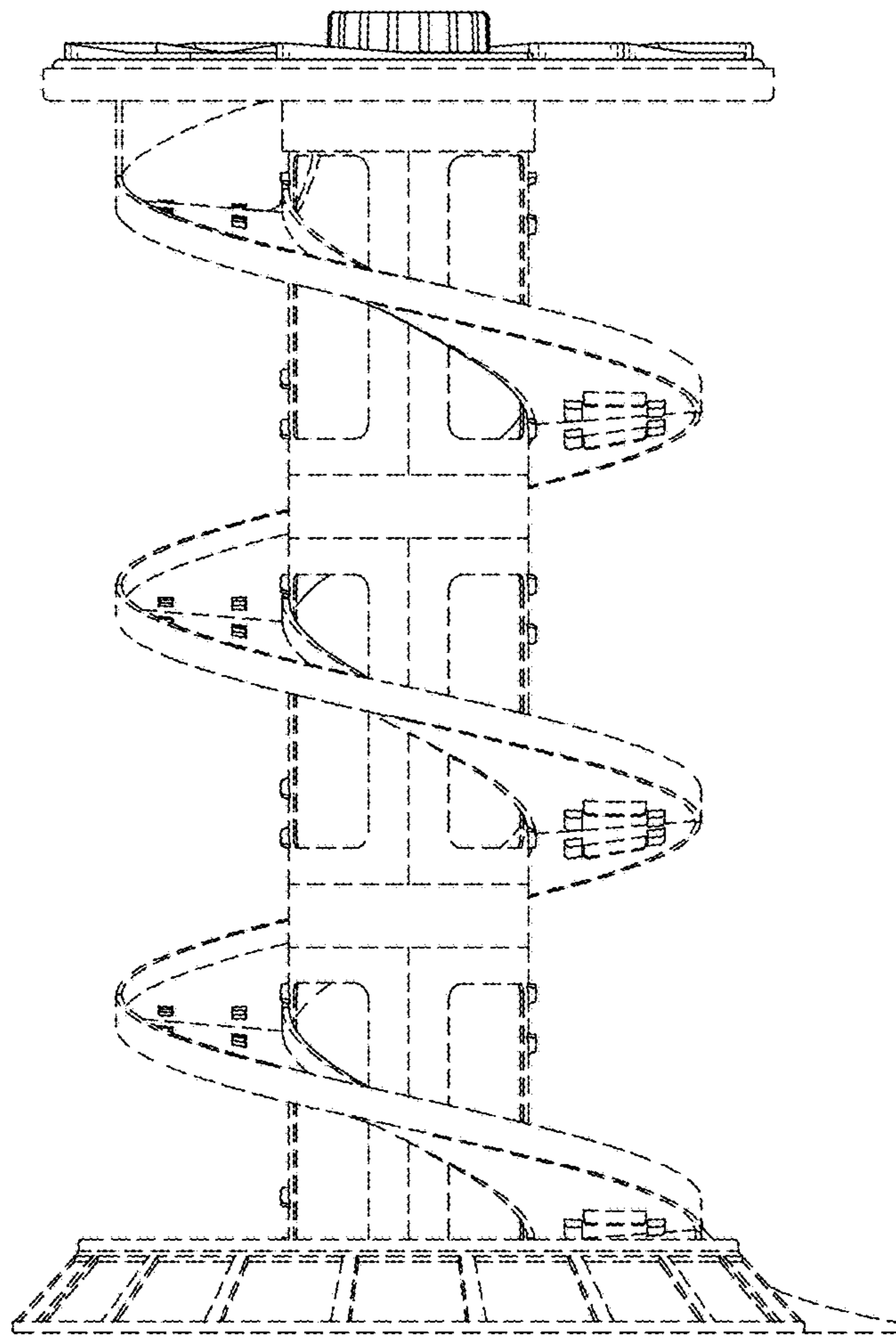


FIG. 2

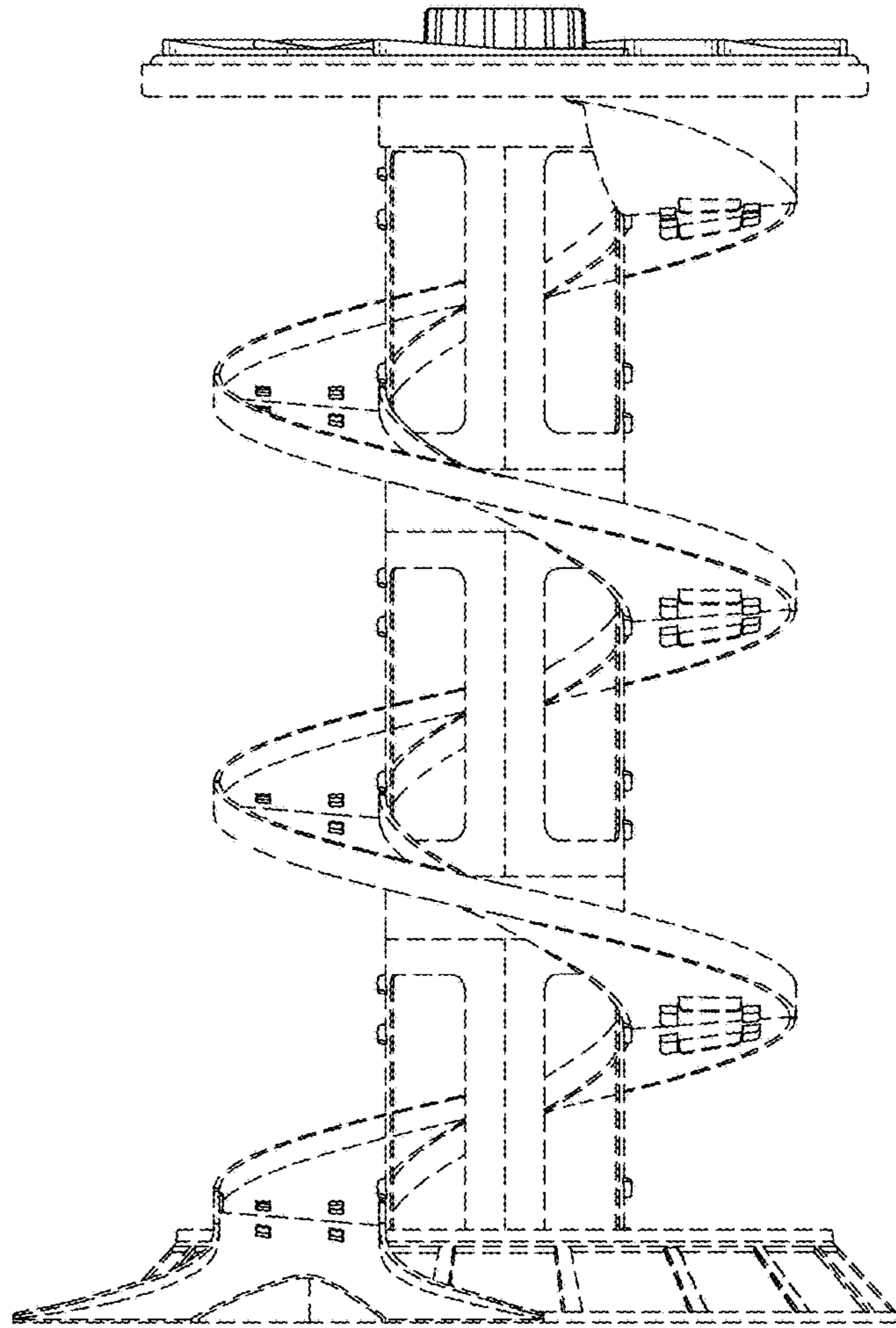


FIG. 3

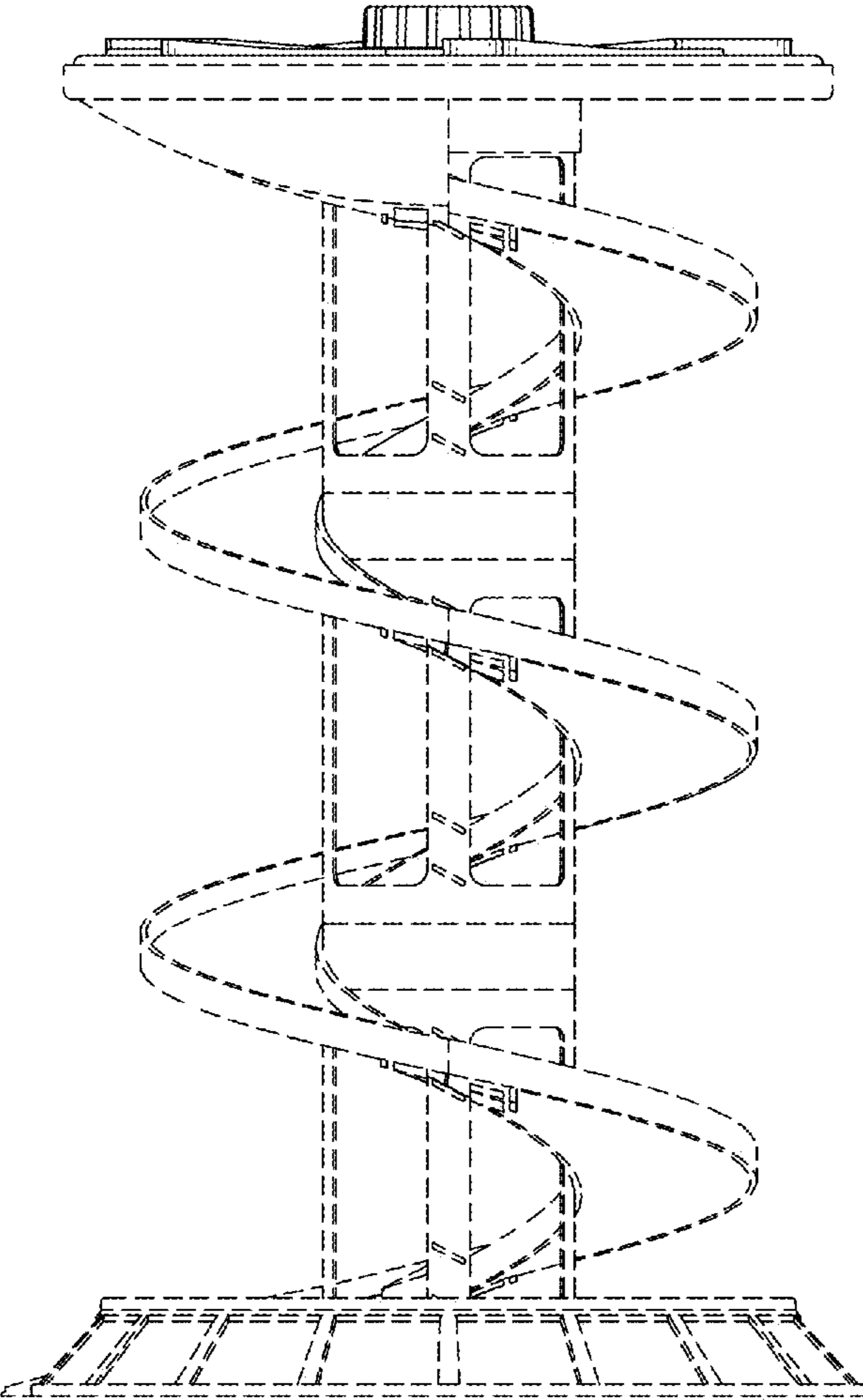


FIG. 4

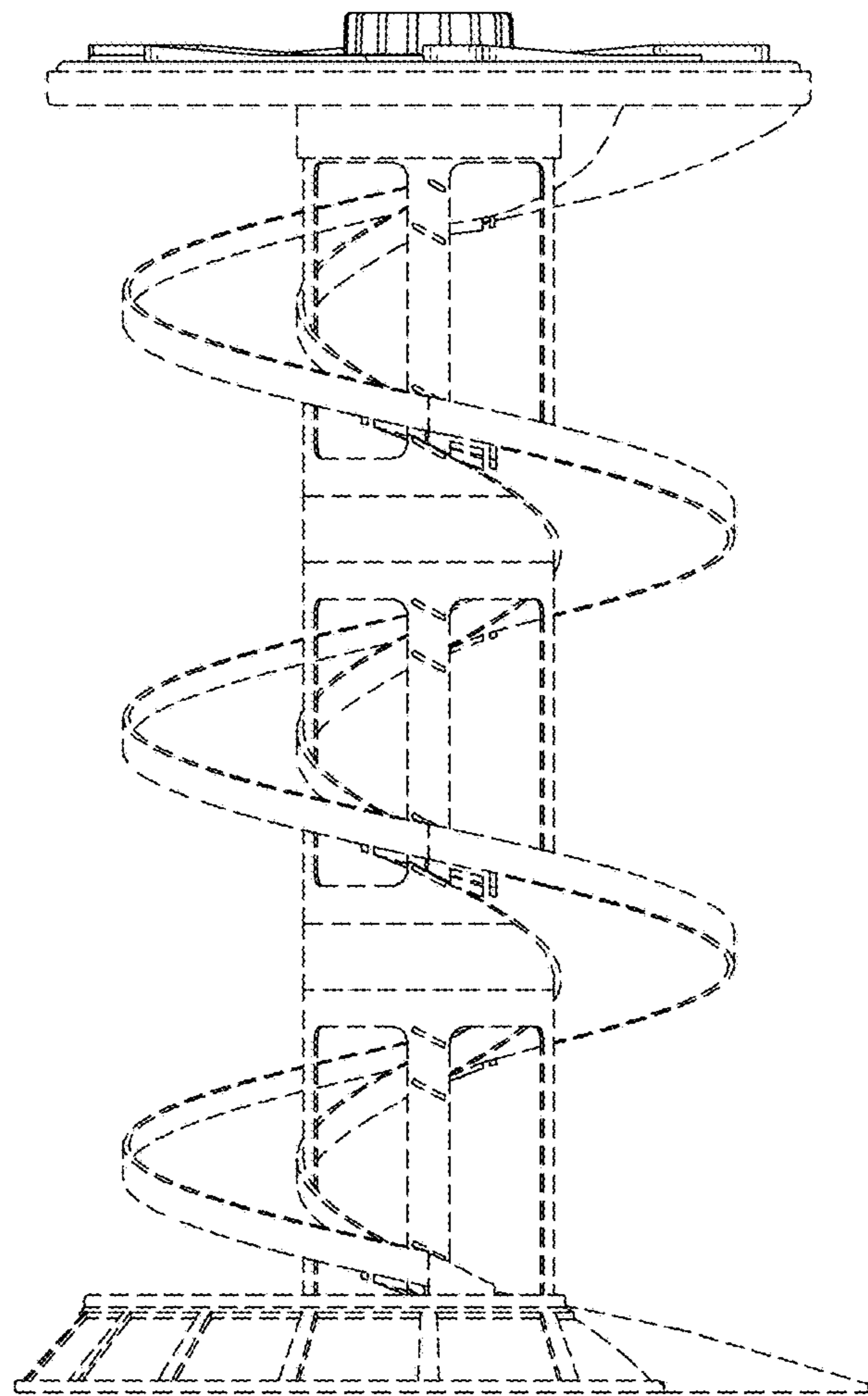


FIG. 5

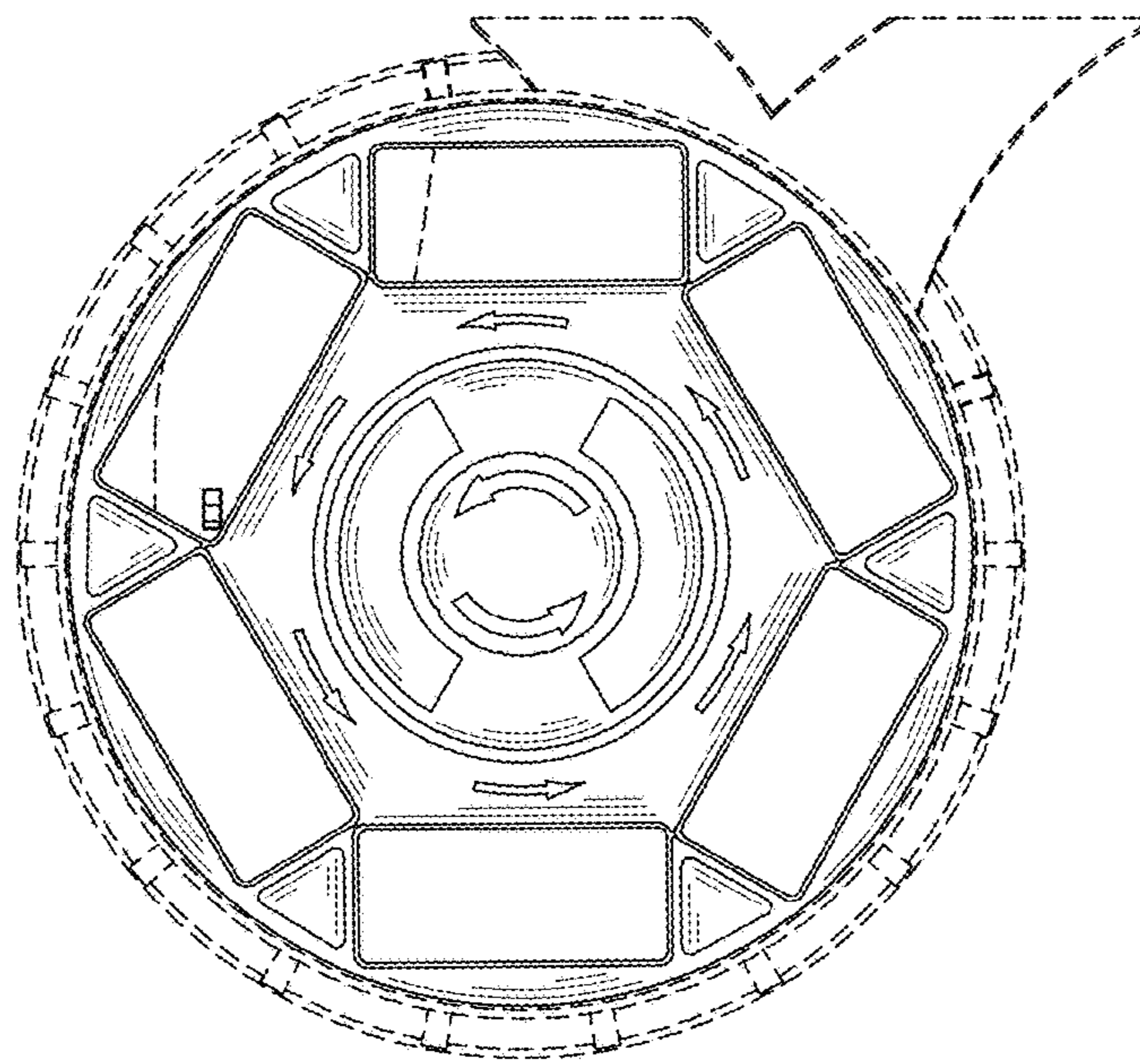


FIG. 6

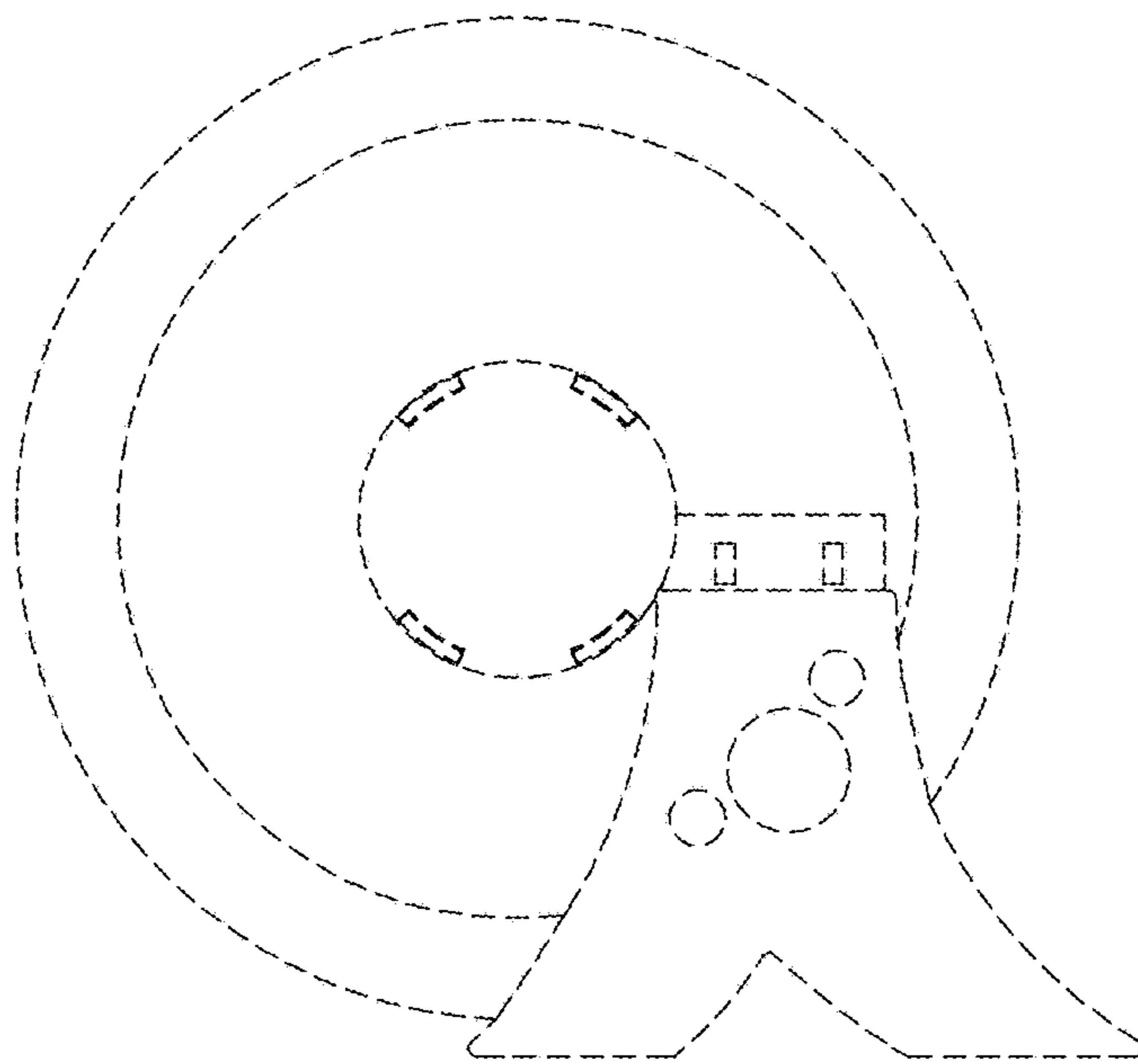


FIG. 7