

US00D861798S

(12) **United States Design Patent** (10) **Patent No.:** **US D861,798 S**
Denby et al. (45) **Date of Patent:** **** Oct. 1, 2019**

(54) **MANNEQUIN AND SUPPORT BASE COMBINATION**

2,341,424 A 2/1944 Chason
2,418,216 A 4/1947 Adler
2,537,621 A 1/1951 Busom
(Continued)

(71) Applicant: **TARGET BRANDS, INC.**,
Minneapolis, MN (US)

(72) Inventors: **Scott E. Denby**, Minneapolis, MN (US); **David J. Floersch**, Brooklyn Park, MN (US)

(73) Assignee: **TARGET BRANDS, INC.**,
Minneapolis, MN (US)

(**) Term: **15 Years**

(21) Appl. No.: **29/641,726**

(22) Filed: **Mar. 23, 2018**

Related U.S. Application Data

(62) Division of application No. 29/547,303, filed on Dec. 2, 2015, now abandoned.

(51) **LOC (12) Cl.** **20-02**

(52) **U.S. Cl.**
USPC **D20/32**

(58) **Field of Classification Search**
USPC D20/10, 19, 29-32, 99
CPC A47F 7/10; A47F 7/19; A47F 7/22; A47F 8/00

See application file for complete search history.

(56) **References Cited**

U.S. PATENT DOCUMENTS

658,547 A	9/1900	Kennedy	
739,620 A	9/1903	Rocheleau	
1,284,436 A	11/1918	Palmenberg	
1,771,845 A	7/1930	Gemeiner	
1,972,451 A	9/1934	Lehr	
2,099,652 A	11/1937	Janssen	
2,122,144 A *	6/1938	Janssen	A47F 7/10 223/75

OTHER PUBLICATIONS

“Full Size Male Mannequin in Golfing Position,” printed from www.displayimporter.com/products/MN-083.html, publicly available at least as early as Jan. 2, 2006, per <http://web.archive.org> (4 pages).

“Female Torso with adjustable metal base,” printed from www.buystoreshelving.com/female_display_forms/DF_9/index.htm, publicly available at least as early as Jun. 15, 2008, per <http://web.archive.org> (2 pages).

(Continued)

Primary Examiner — Mary Ann Calabrese

(74) *Attorney, Agent, or Firm* — JoAnn M. Seaton; Griffiths & Seaton PLLC

(57) **CLAIM**

The ornamental design for a mannequin and support base combination, as shown and described.

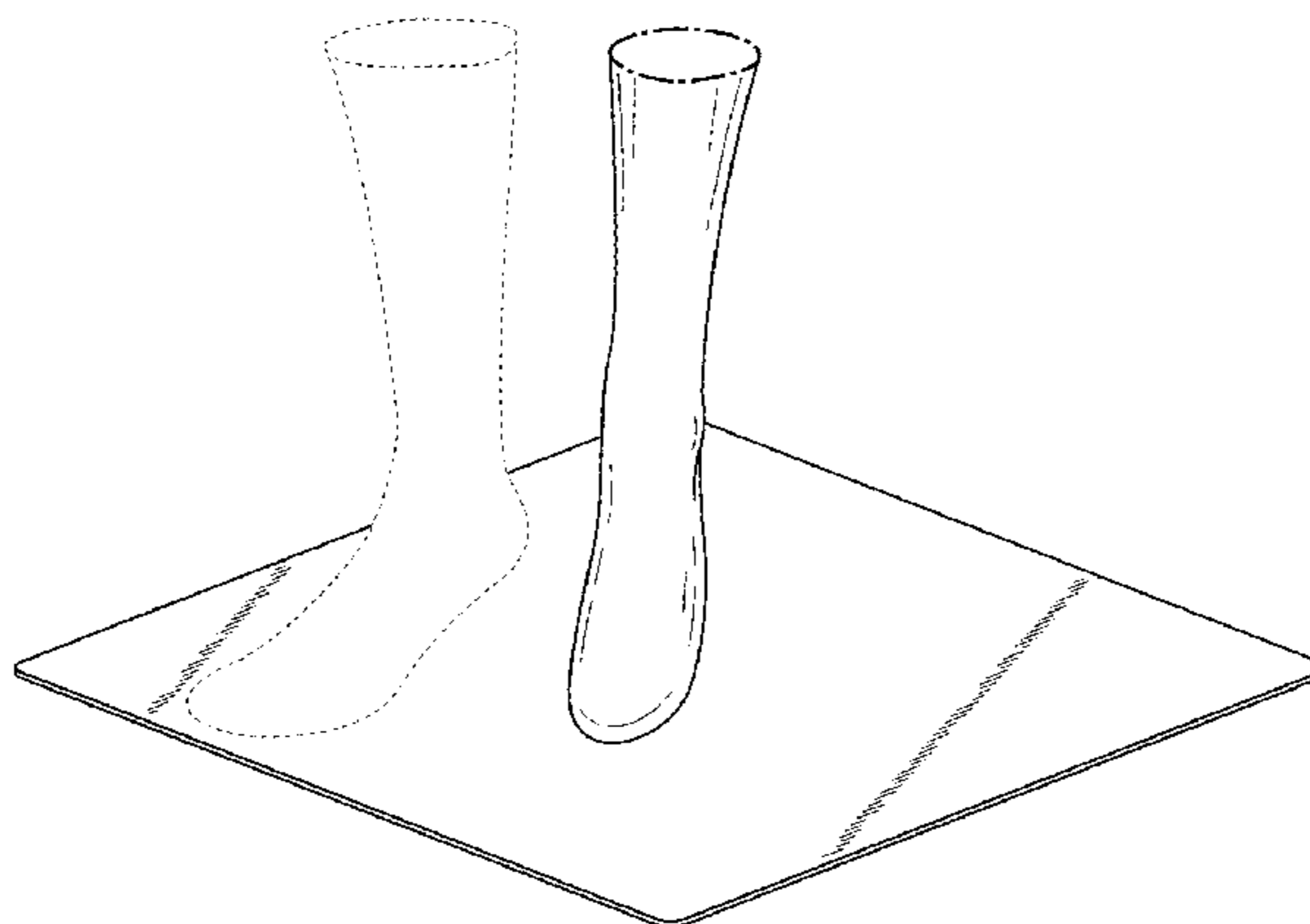
DESCRIPTION

FIG. 1 is a front perspective view of a mannequin and support base combination showing our new design; FIG. 2 is a front view thereof; FIG. 3 is a rear view thereof; FIG. 4 is a right side view thereof; FIG. 5 is a left side view thereof; and, FIG. 6 is a top view thereof.

A bottom view of the mannequin and support base combination includes only unclaimed surfaces and is, therefore, omitted.

The features shown in broken lines are portions of the mannequin and support base combination and environmental subject matter to the mannequin and support base combination forming no part of the claimed design. The features shown in long dash-short dash bolded broken lines indicate the bounds of the claimed design and otherwise form no part of the claimed design.

1 Claim, 6 Drawing Sheets



(56)

References Cited

U.S. PATENT DOCUMENTS

2,610,340	A	9/1952	Nettler et al.	
2,656,957	A	10/1953	Bloch	
2,667,292	A *	1/1954	Nettler	A47F 7/10 223/75
2,769,262	A *	11/1956	Gordon	A47F 7/10 223/75
2,810,212	A	10/1957	Sturmer	
2,867,362	A	1/1959	Bloch	
2,895,696	A	7/1959	Mergenthaler	
2,987,843	A	6/1961	Anthony	
3,009,284	A	11/1961	Ryan	
3,084,837	A	4/1963	Wolf	
3,168,227	A	2/1965	Osmond	
3,237,822	A	3/1966	Yerger	
3,281,029	A	10/1966	Bloch	
3,294,295	A	12/1966	Wolf	
3,319,846	A	5/1967	Wolf	
3,524,554	A	8/1970	Ruhnke	
3,567,084	A *	3/1971	DeWitt	A47F 7/10 223/120
3,591,118	A	7/1971	Gentile et al.	
D223,689	S	5/1972	Forbes	
D227,515	S	6/1973	Mergens et al.	
4,311,260	A	1/1982	Toy	
4,545,514	A	10/1985	Toy	
4,792,071	A	12/1988	Scarpa et al.	
5,868,368	A	2/1999	MacDonald	
6,336,620	B1	1/2002	Belli	
6,345,794	B1	2/2002	Varner	
7,237,683	B1	7/2007	Hammers	
D649,714	S	11/2011	Key	
D651,254	S	12/2011	Rimmer et al.	
D708,672	S	7/2014	Denby et al.	
D747,125	S	1/2016	Clark et al.	
D806,800	S *	1/2018	Denby	A47F 7/10 D20/41
2002/0154789	A1	10/2002	Rodgers	
2004/0089782	A1	5/2004	Eliason et al.	
2007/0181515	A1	8/2007	Levi et al.	
2008/0197158	A1 *	8/2008	Tu	A47F 8/00 223/66
2012/0006864	A1	1/2012	McCarthy	

OTHER PUBLICATIONS

“Display Female Mannequin #150,” printed from http://buystoreshelving.com/female_mannequins_with_wig/female_mannequin_FM150/index.htm, publicly available at least as early as Dec. 24, 2009, per <http://web.archive.org> (2 pages).

“Display Female Mannequin #223,” printed from http://buystoreshelving.com/female_mannequins_with_wig/display_mannequin_FM223/index.htm, publicly available at least as early as Aug. 18, 2013, per <http://web.archive.org> (2 pages).

“Black Male Upper Torso Mannequin Form with Metal Base”, printed from www.amazon.com/Black-Upper-Torso-Mannequin-Metal/dp/B0040YSQKI, publicly available at least as early as Jun. 5, 2013 (5 pages).

Mannequin Support Plate Publicly Used in Target Stores more than one year prior to Dec. 2, 2015 (1 page).

“White Matt Female Mannequin—Arms Behind Back, Right Bent Leg,” printed from www.valentinosdisplays.com/White-Matt-Female-Mannequin---Arms-Behind-Back,%20-Right-Bent-Leg--p-704.html, publicly available at least as early as Aug. 21, 2015 (4 pages).

“Mannequins 360 Degree Electrical Display Base for Donn Karan Apparel & Garment,” printed from www.alibaba.com/product-detail/mannequins-360-degree-electrical-display-base_60071430479.html, publicly available at least as early as Aug. 21, 2015 (3 pages).

“Headless Male Mannequin #1,” printed from www.buystorefixtures.com/pages/store/skudetail.nhtml?profile=..0489&returnURL=http%3A//www.buystorefixtures.com/headlessmannequins, publicly available at least as early as Aug. 21, 2015 (2 pages).

“Vintage Mannequin/Window Display Dummy, Metal Construction, Two Pieces, Glass Base,” printed from www.postadsuk.com/vintage-mannequin-window-display-dummy-metal-construction-two-pieces-glass-base_67850-17.html, publicly available at least as early as Aug. 11, 2015 (4 pages).

“Mannequins Rack Display Base, Lady Fashion Clothing Shop Display Equipment Photography Props 3d Scanning Christmas Tree Rotat,” printed from www.alibaba.com/product-detail/mannequins-rack-display-base-lady-fashion_60087801156.html, publicly available at least as early as Aug. 11, 2015 (13 pages).

“Display Base Female Mannequin,” printed from www.alibaba.com/product-detail/display-base-female-mannequin_1613962898.html, publicly available at least as early as Aug. 11, 2015 (7 pages).

* cited by examiner

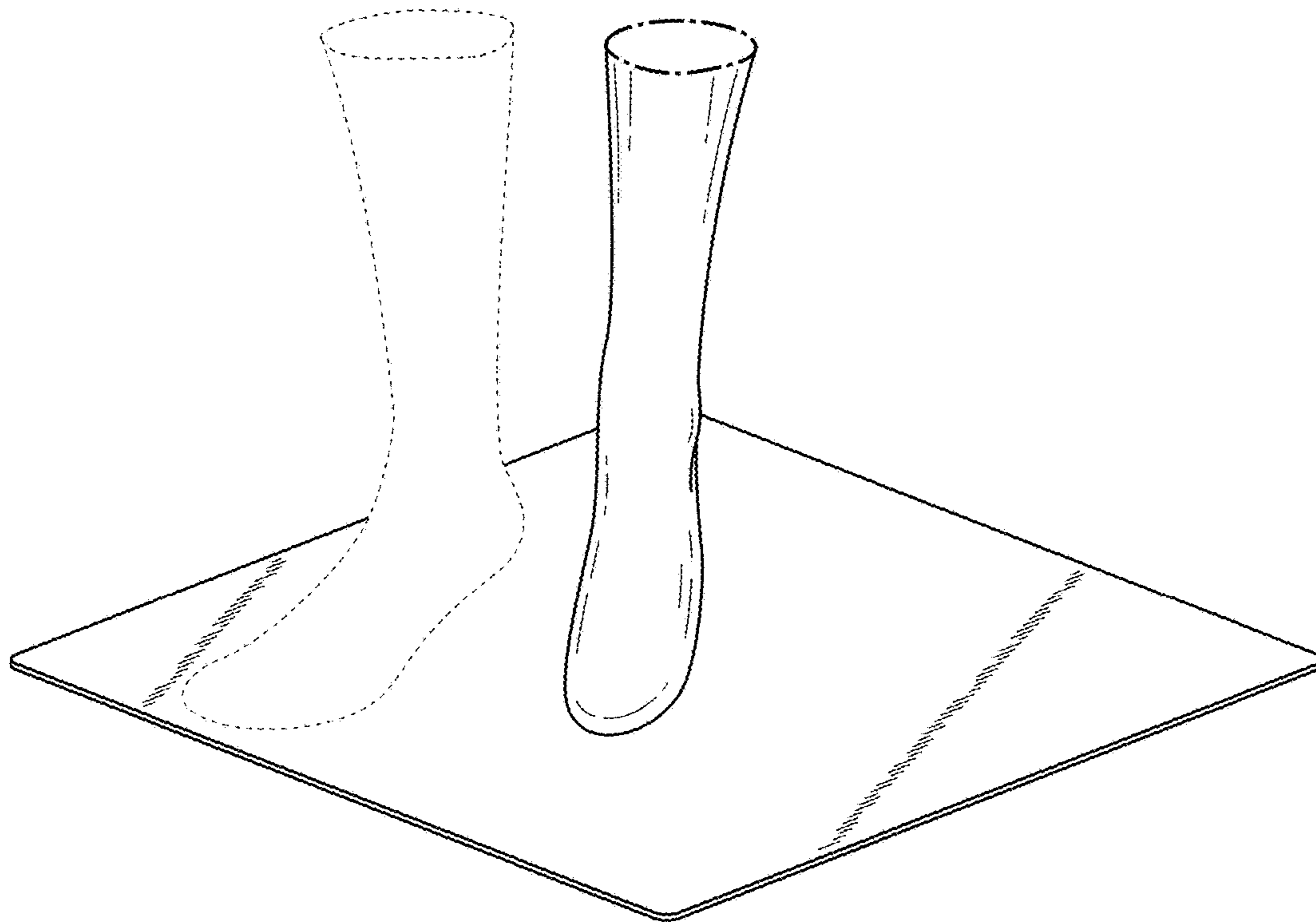


FIG. 1

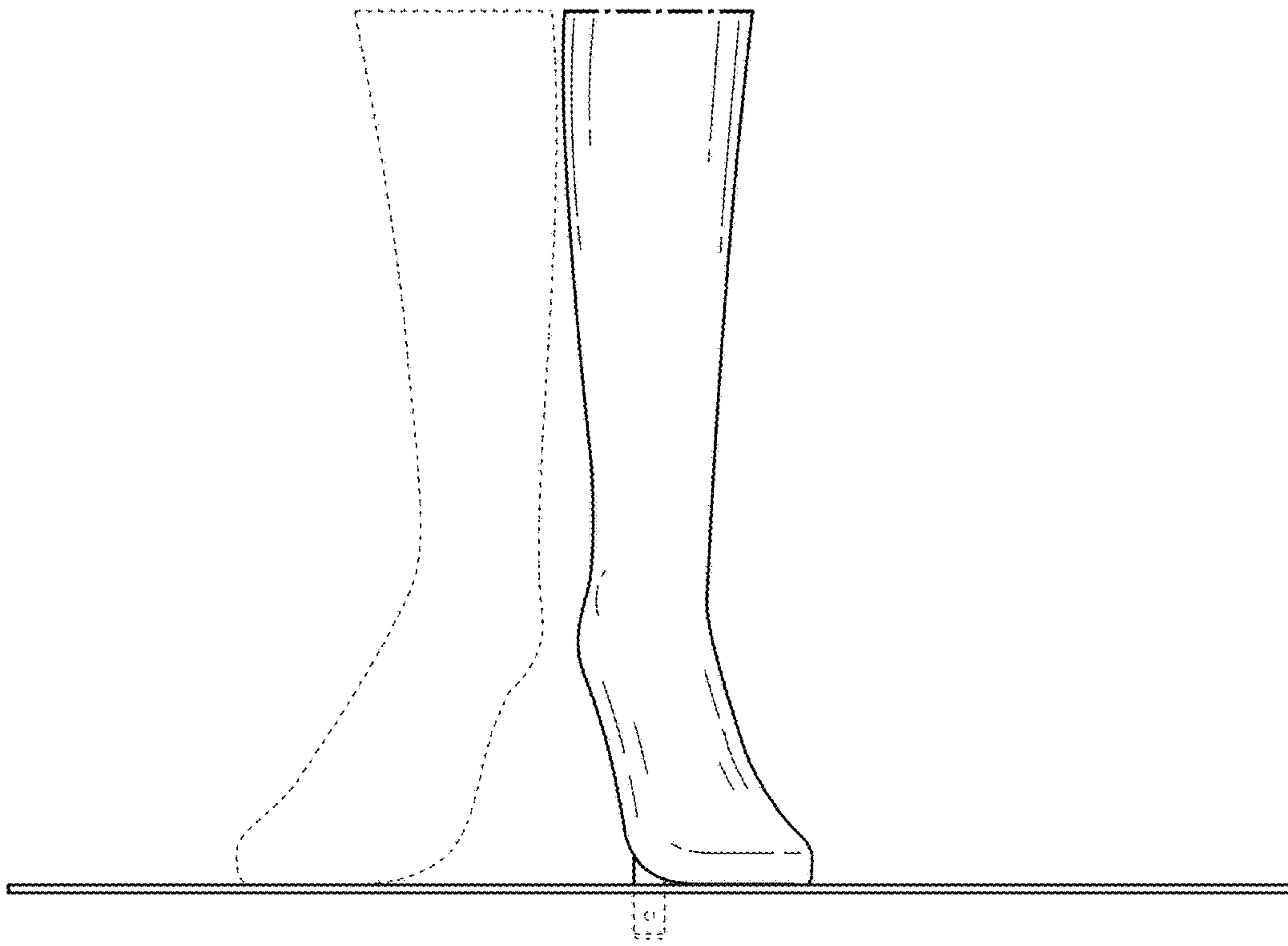


FIG. 2

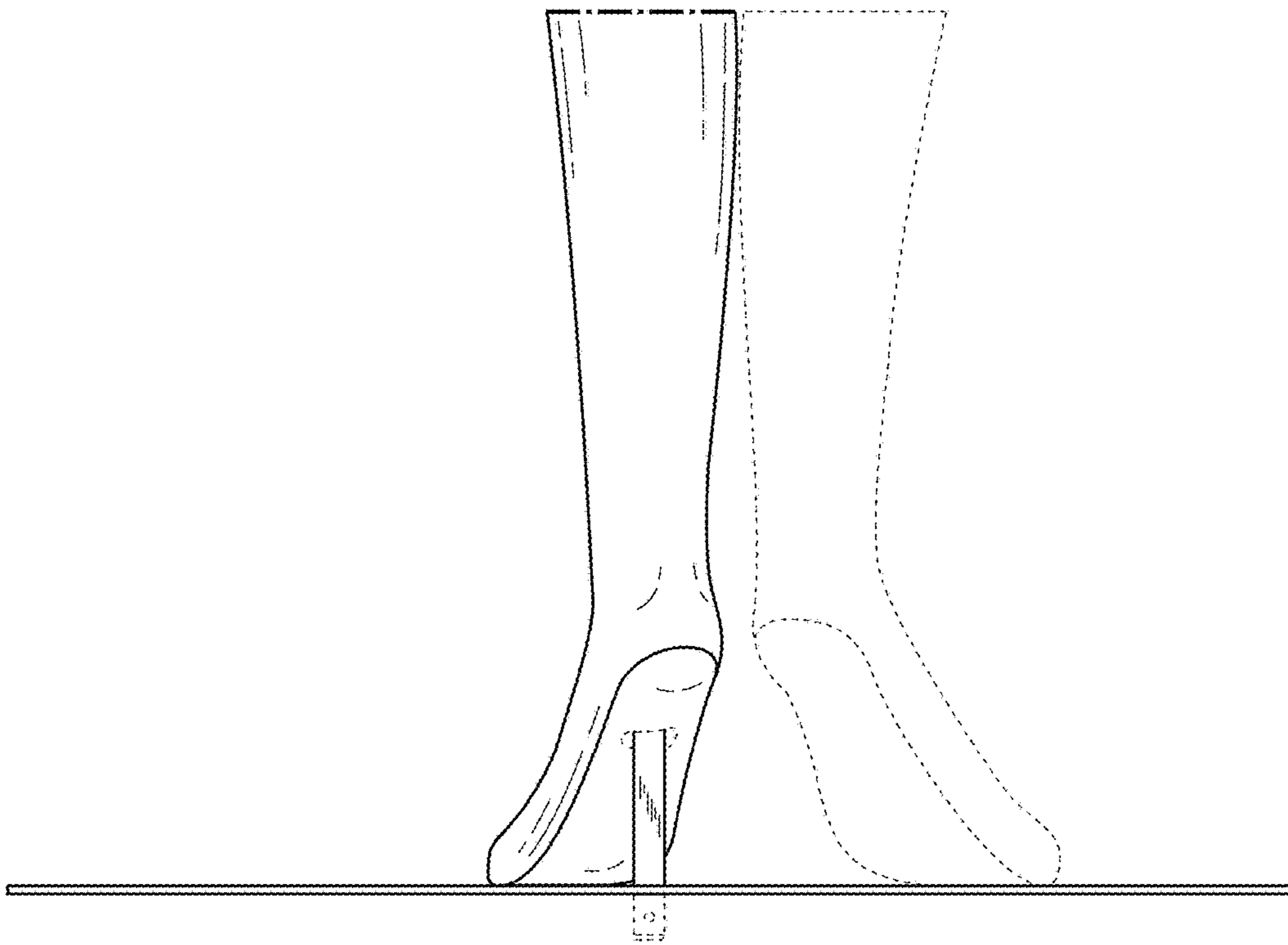


FIG. 3

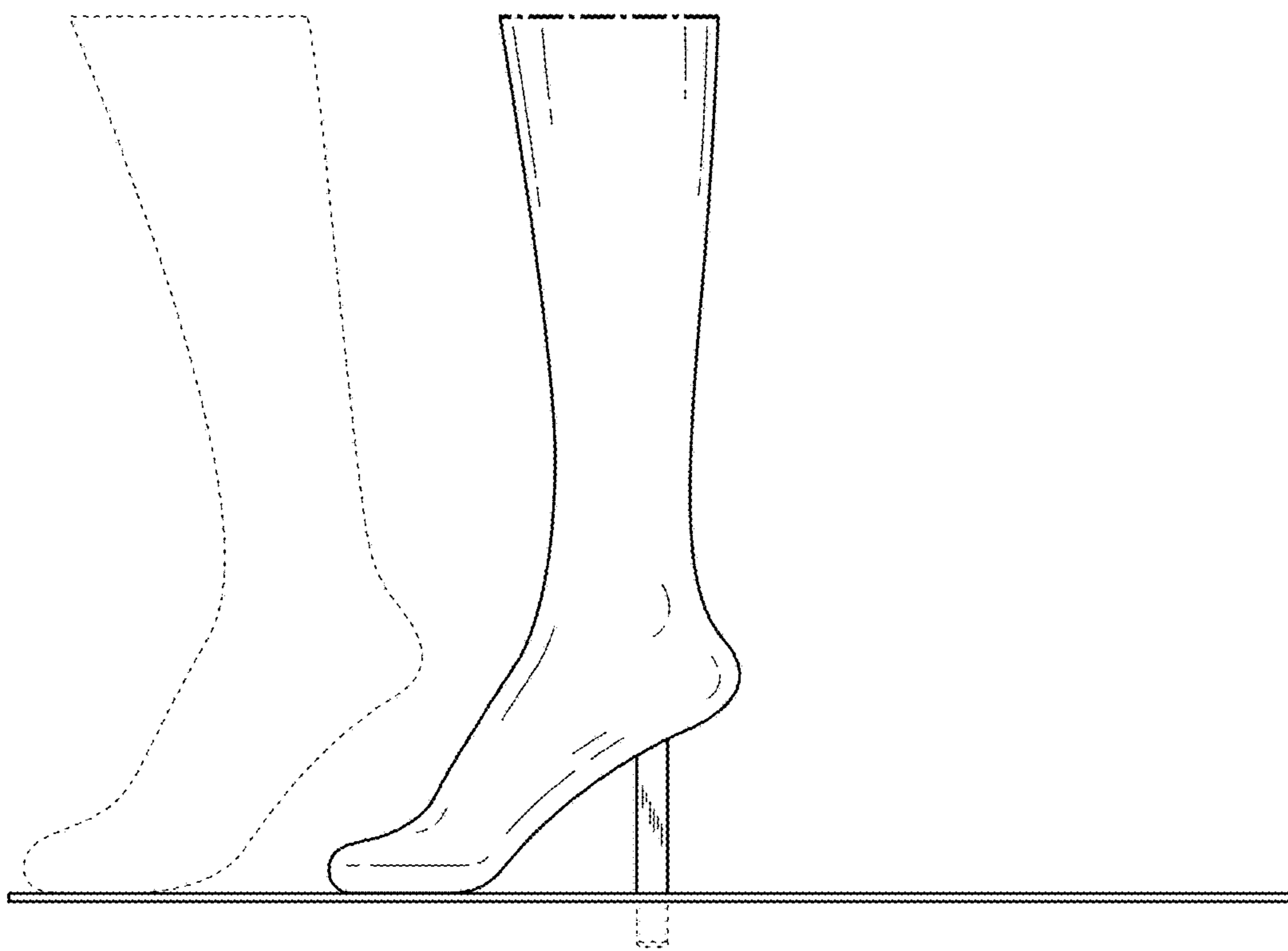


FIG. 4

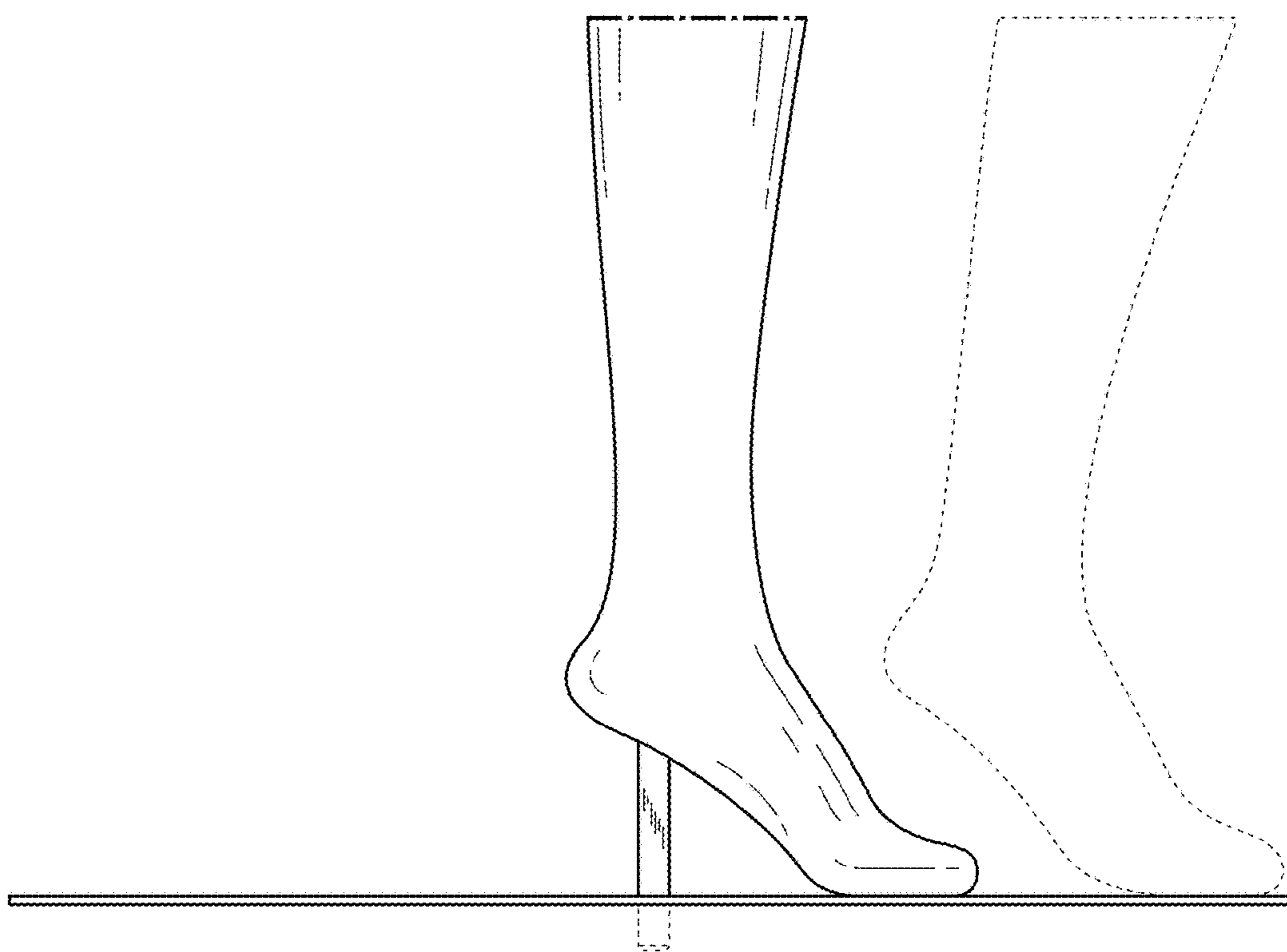


FIG. 5

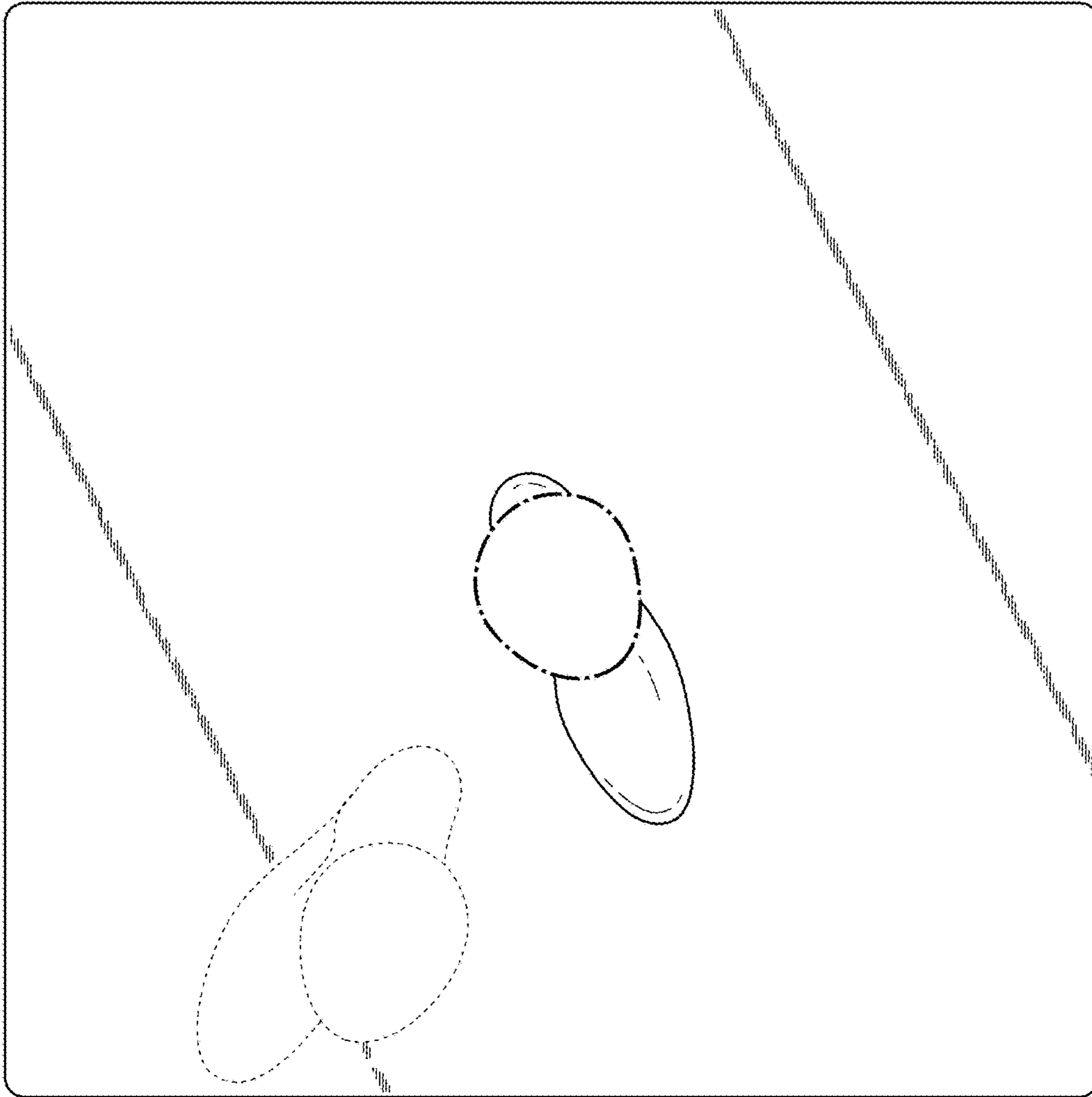


FIG. 6