

US00D861791S

(12) **United States Design Patent** (10) **Patent No.:** **US D861,791 S**  
**Park et al.** (45) **Date of Patent:** **\*\* Oct. 1, 2019**

(54) **DIGITAL SIGN**

CPC ... G09F 7/00; G09F 7/02; G09F 13/04; G09F 19/02

(71) Applicant: **LG ELECTRONICS INC.**, Seoul (KR)

See application file for complete search history.

(72) Inventors: **Sechang Park**, Seoul (KR); **Areum Kwon**, Seoul (KR); **Yongho Lee**, Seoul (KR)

(56) **References Cited**

U.S. PATENT DOCUMENTS

(73) Assignee: **LG ELECTRONICS INC.**, Seoul (KR)

D132,009 S \* 4/1942 Blankenship ..... D20/42  
D807,310 S \* 1/2018 Lee ..... D14/126  
D831,118 S \* 10/2018 Yoon ..... D20/10

(\*\*) Term: **15 Years**

\* cited by examiner

(21) Appl. No.: **35/505,075**

*Primary Examiner* — Robert M. Spear

(22) Filed: **Dec. 6, 2017**

(74) *Attorney, Agent, or Firm* — Birch, Stewart, Kolasch & Birch, LLP

(80) **Hague Agreement Data**

Int. Filing Date: **Dec. 6, 2017**  
Int. Reg. No.: **DM/098940**  
Int. Reg. Date: **Dec. 6, 2017**  
Int. Reg. Pub. Date: **Jun. 8, 2018**

(57) **CLAIM**

The ornamental design for a digital sign, as shown and described.

(30) **Foreign Application Priority Data**

Jun. 7, 2017 (KR) ..... 30-2017-0025801

(51) **LOC (12) Cl.** ..... **20-03**

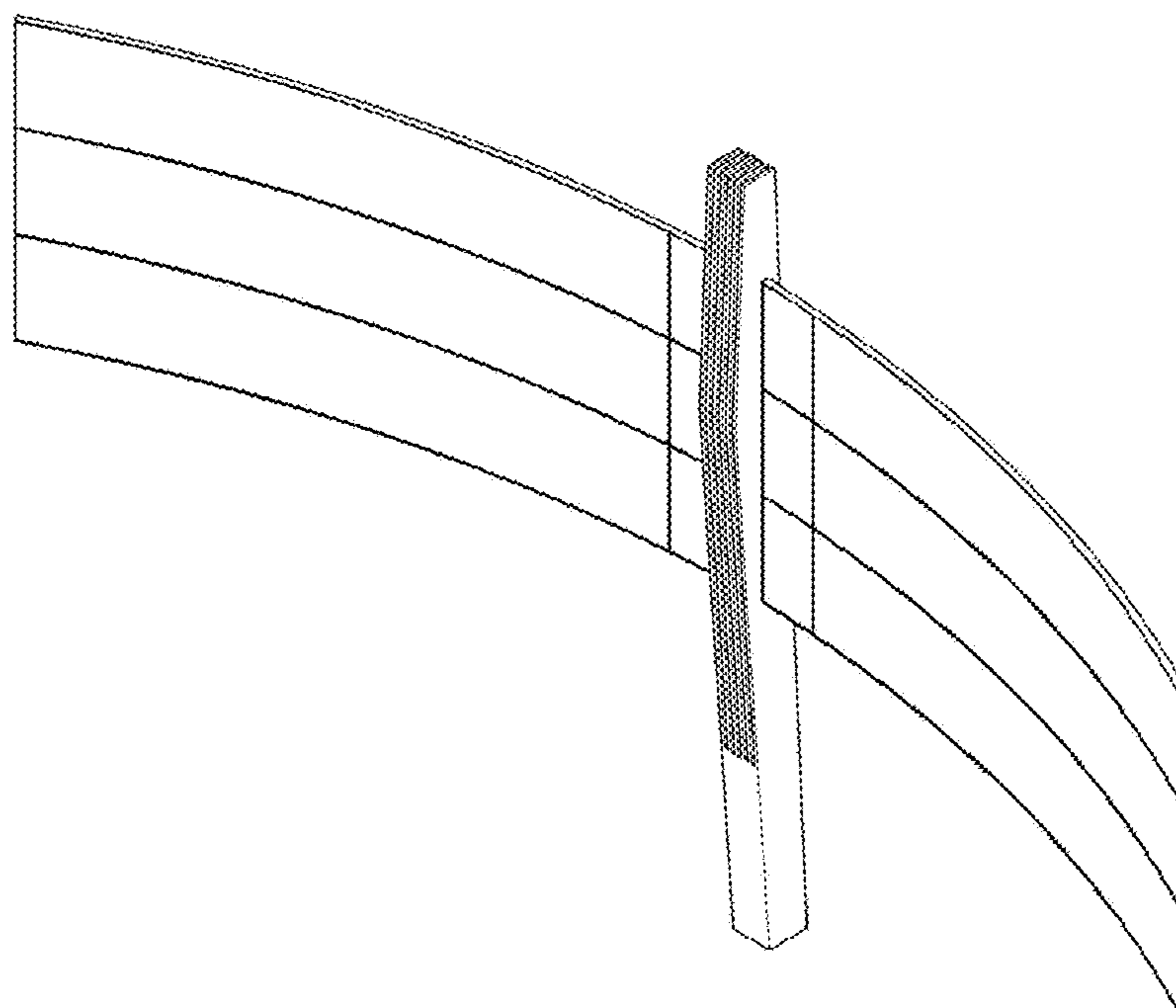
(52) **U.S. Cl.**  
USPC ..... **D20/10; D20/42**

(58) **Field of Classification Search**  
USPC .... D20/10, 18, 19, 21, 41, 42, 99; D14/127, D14/373

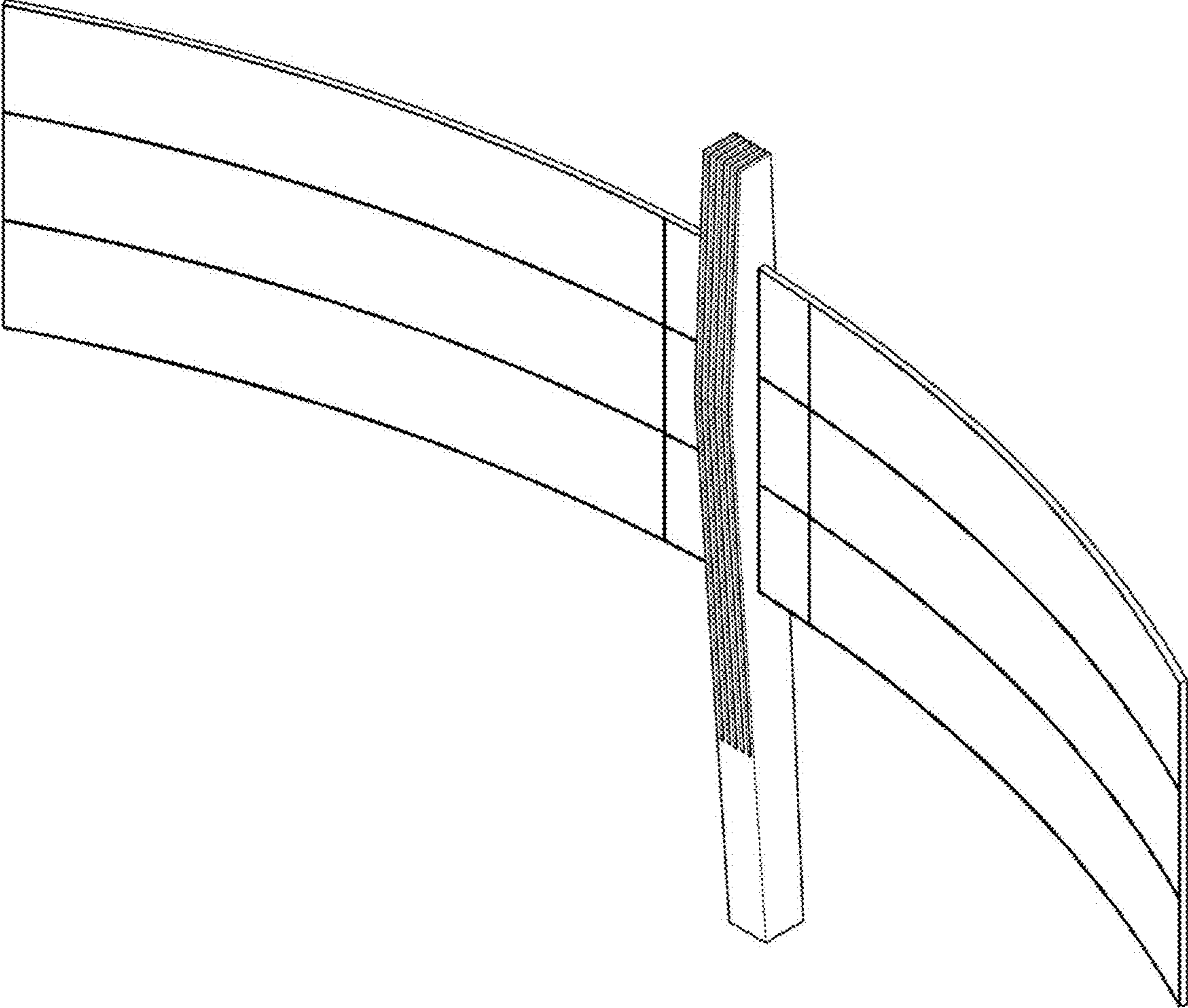
**DESCRIPTION**

- 1. Digital sign
- 1.1 : Perspective
- 1.2 : Front
- 1.3 : Back
- 1.4 : Left
- 1.5 : Right
- 1.6 : Top
- 1.7 : Bottom

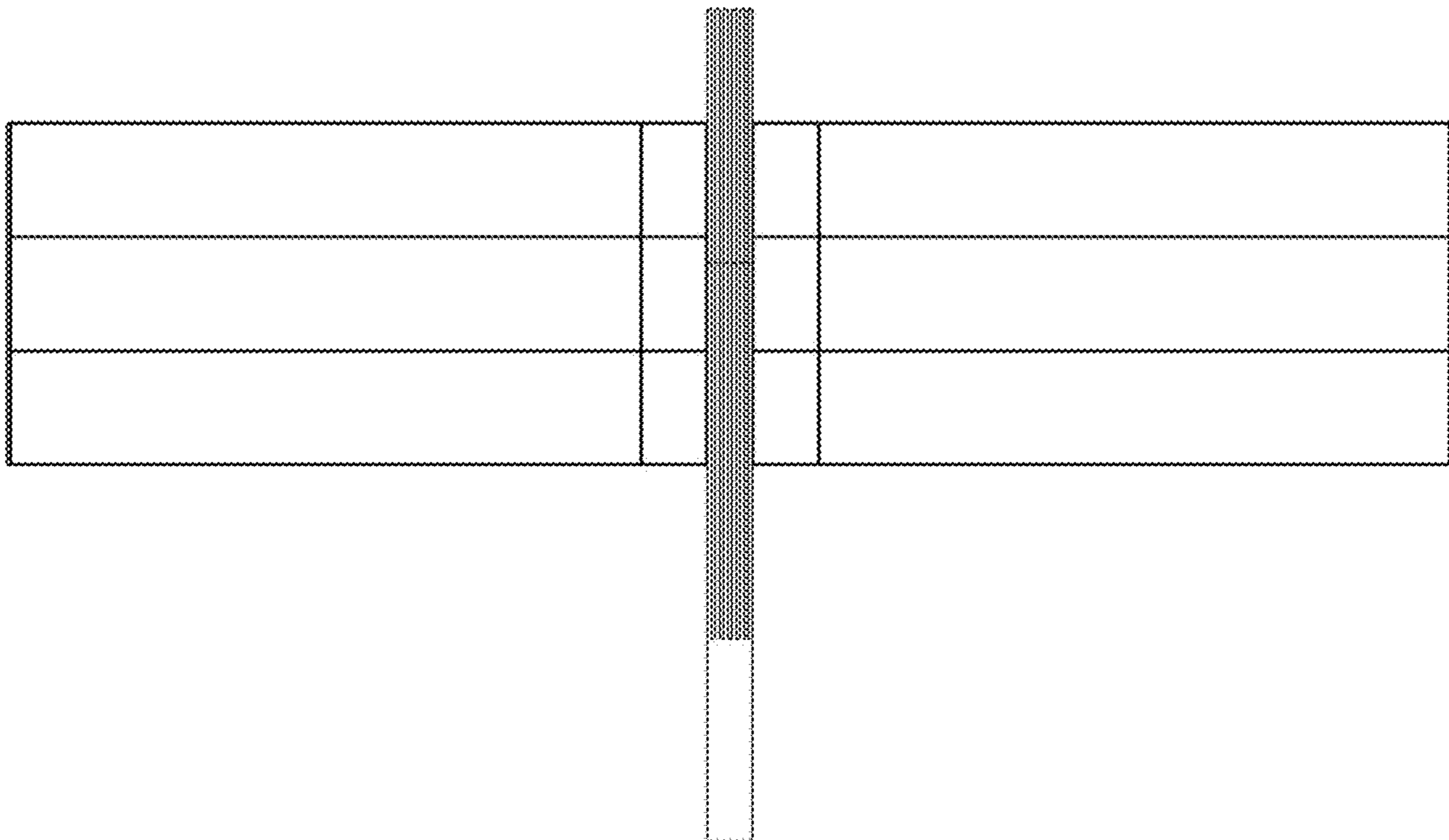
**1 Claim, 7 Drawing Sheets**



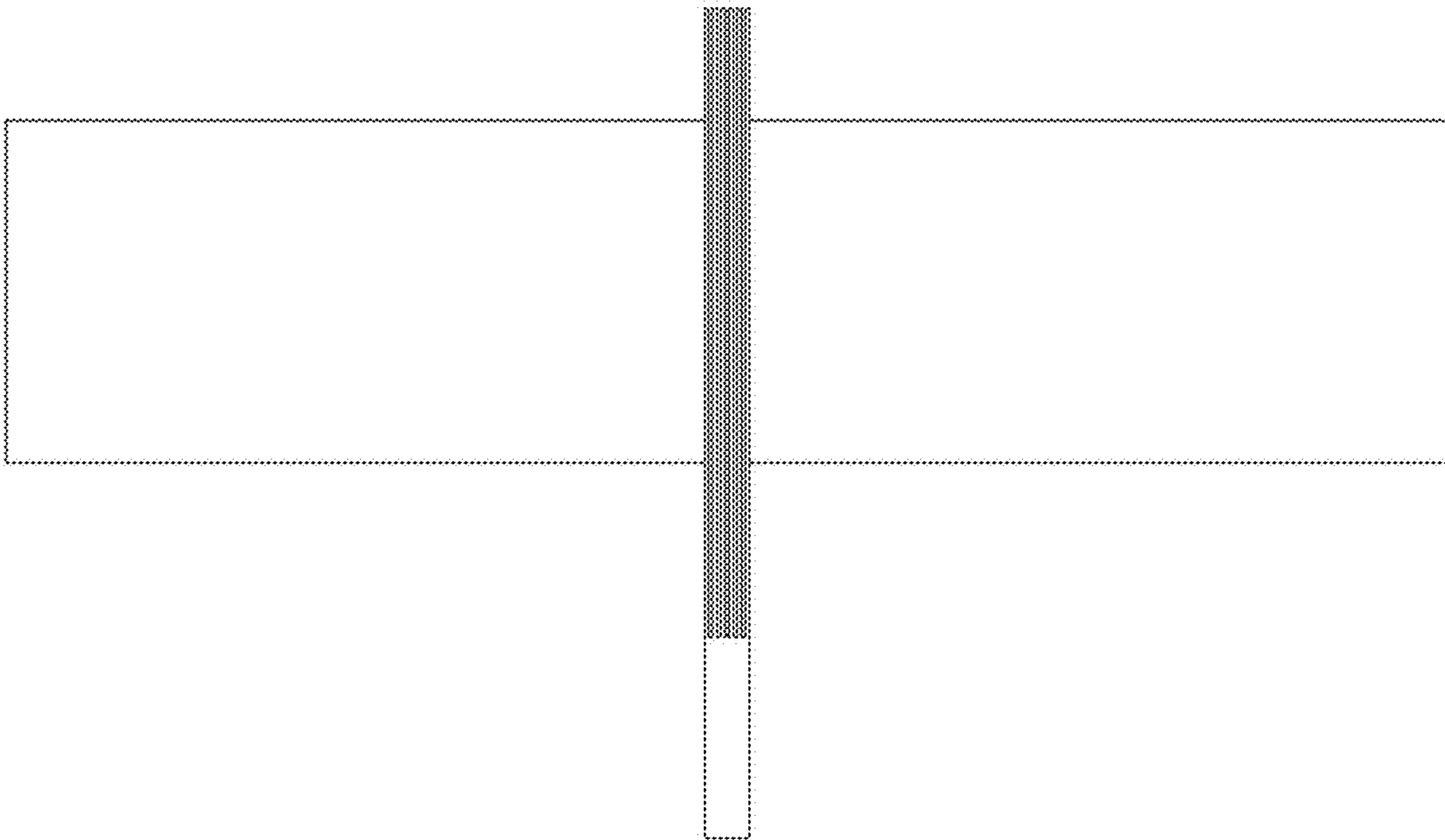
1.1



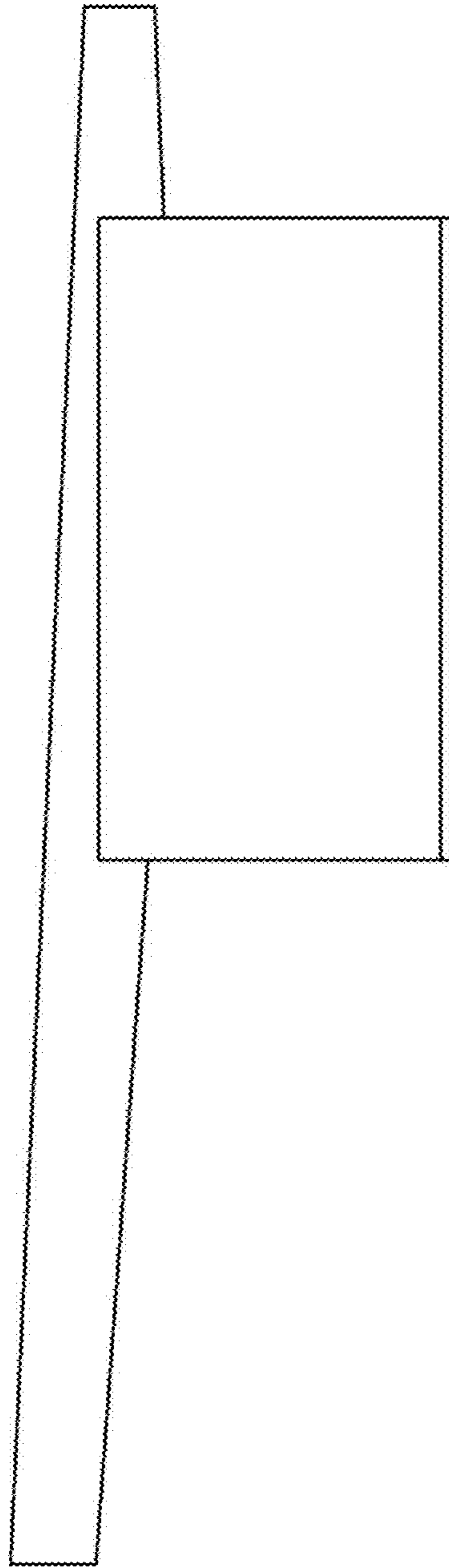
1.2



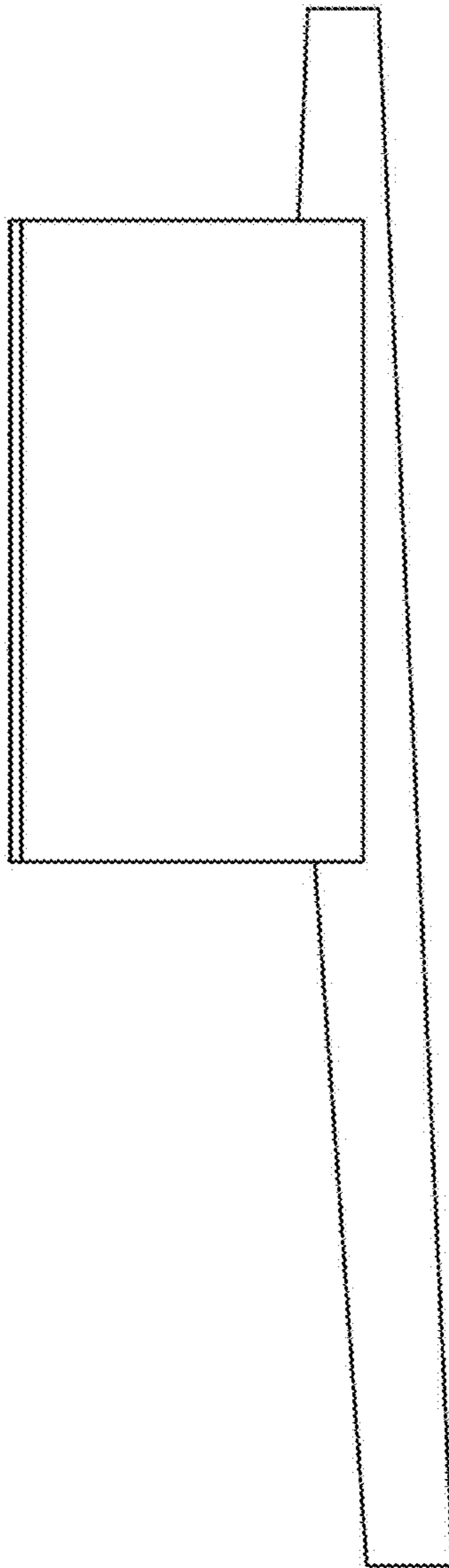
1.3



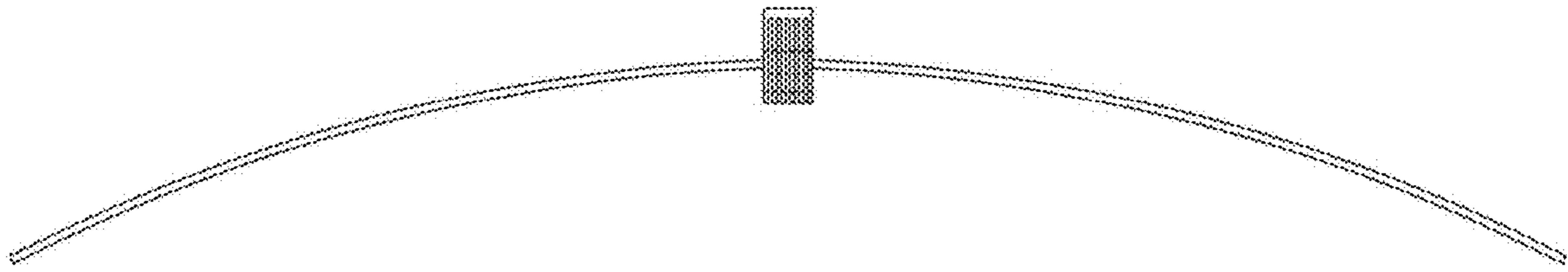
1.4



1.5



1.6



1.7

