



US00D861787S

(12) **United States Design Patent** (10) **Patent No.:** **US D861,787 S**
Hong et al. (45) **Date of Patent:** **** Oct. 1, 2019**

(54) DIGITAL SIGN	5,212,898 A * 5/1993 Dinan G09F 7/18 248/219.4
(71) Applicant: LG ELECTRONICS INC., Seoul (KR)	D383,796 S * 9/1997 Rinicella D20/10 D388,124 S * 12/1997 Rath D20/10 D388,125 S * 12/1997 Rath D20/10 D388,126 S * 12/1997 Rath D20/10
(72) Inventors: Hyeyoung Hong, Seoul (KR); Hewon Kihl, Seoul (KR); Yongho Lee, Seoul (KR)	5,787,621 A * 8/1998 Leksell G09F 15/0025 40/606.12 5,966,857 A * 10/1999 Pettersson G09F 1/06 40/606.12
(73) Assignee: LG ELECTRONICS INC., Seoul (KR)	D417,241 S * 11/1999 Frey D20/10 D431,838 S * 10/2000 Ragot G09F 1/06 D20/10 D496,966 S * 10/2004 Ulrich G09F 15/0025 D20/42
(**) Term: 15 Years	

(Continued)

(21) Appl. No.: **35/504,596**

(22) Filed: **Sep. 12, 2017**

(80) **Hague Agreement Data**

Int. Filing Date: **Sep. 12, 2017**
 Int. Reg. No.: **DM/099347**
 Int. Reg. Date: **Sep. 12, 2017**
 Int. Reg. Pub. Date: **Mar. 16, 2018**

(30) **Foreign Application Priority Data**

Mar. 13, 2017 (KR) 30-2017-0011587

(51) **LOC (12) Cl.** **20-03**

(52) **U.S. Cl.**
USPC **D20/10; D20/42**

(58) **Field of Classification Search**
USPC D14/373, 127; D20/10, 17, 19, 21, 42
CPC G09F 7/00; G09F 13/04; G09F 19/02
See application file for complete search history.

(56) **References Cited**

U.S. PATENT DOCUMENTS

3,182,414 A * 5/1965 Snediker G09F 15/0087
40/604
3,479,760 A * 11/1969 Snyder, Jr. G09F 7/20
40/606.12

Primary Examiner — Robert M. Spear

(74) *Attorney, Agent, or Firm* — Birch, Stewart, Kolasch & Birch, LLP

(57) **CLAIM**

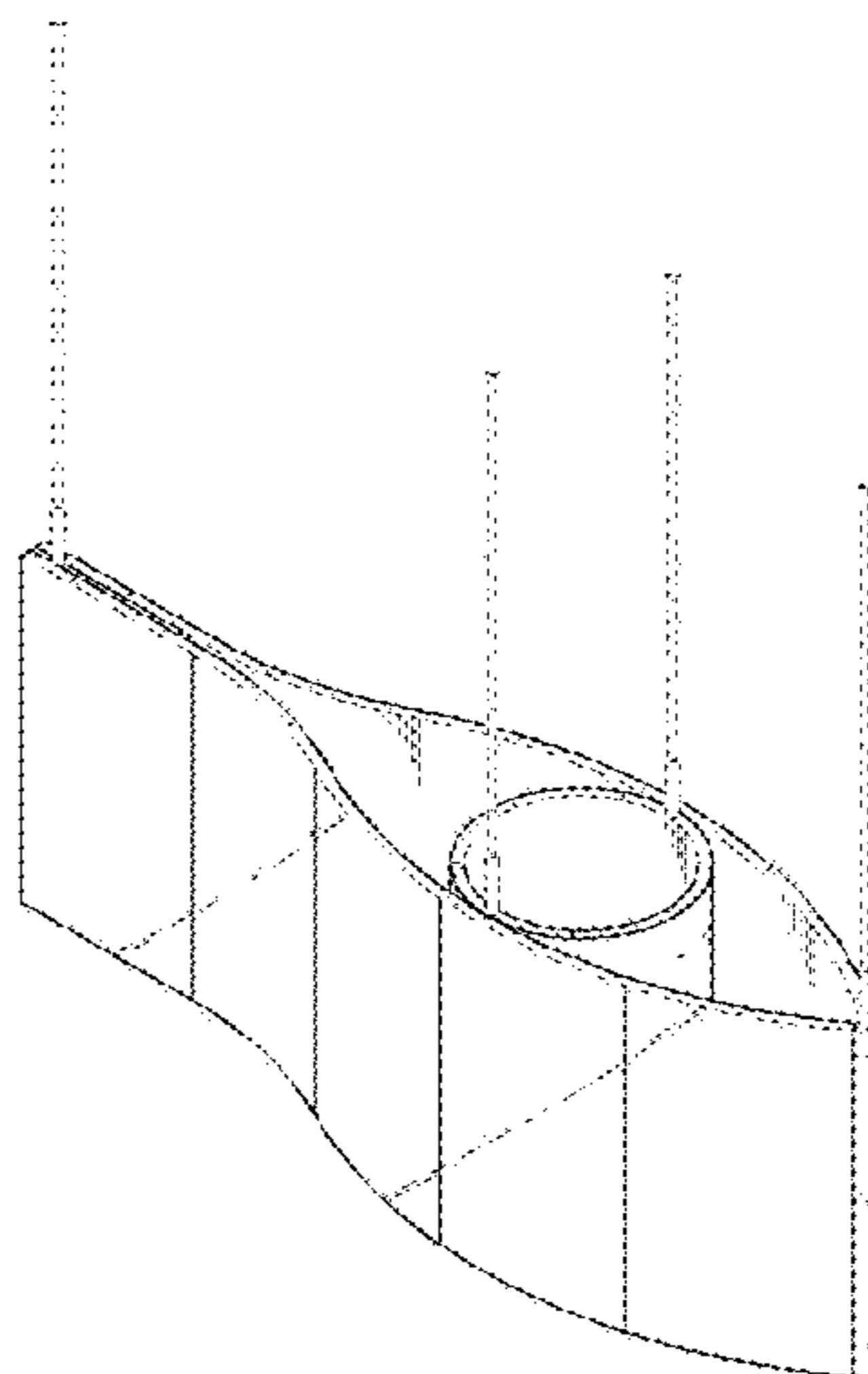
The ornamental design for a digital sign, as shown and described.

DESCRIPTION

- 1. Digital sign
- 1.1 : Perspective
- 1.2 : Front
- 1.3 : Left
- 1.4 : Right
- 1.5 : Top
- 1.6 : Bottom

The broken lines depict portions of the digital sign that form no part of the claimed design; the waved lines on the top of reproductions 1.1 to 1.4 are to show that the length of lines has been omitted and form no part of the claimed design; reproduction 1.1 is a front perspective view of the digital sign; reproduction 1.2 is a front view thereof where the back view is a mirror image; reproduction 1.3 is a left view thereof; reproduction 1.4 is a right view thereof; reproduction 1.5 is a top view thereof; and reproduction 1.6 is a bottom view thereof.

1 Claim, 6 Drawing Sheets



(56)

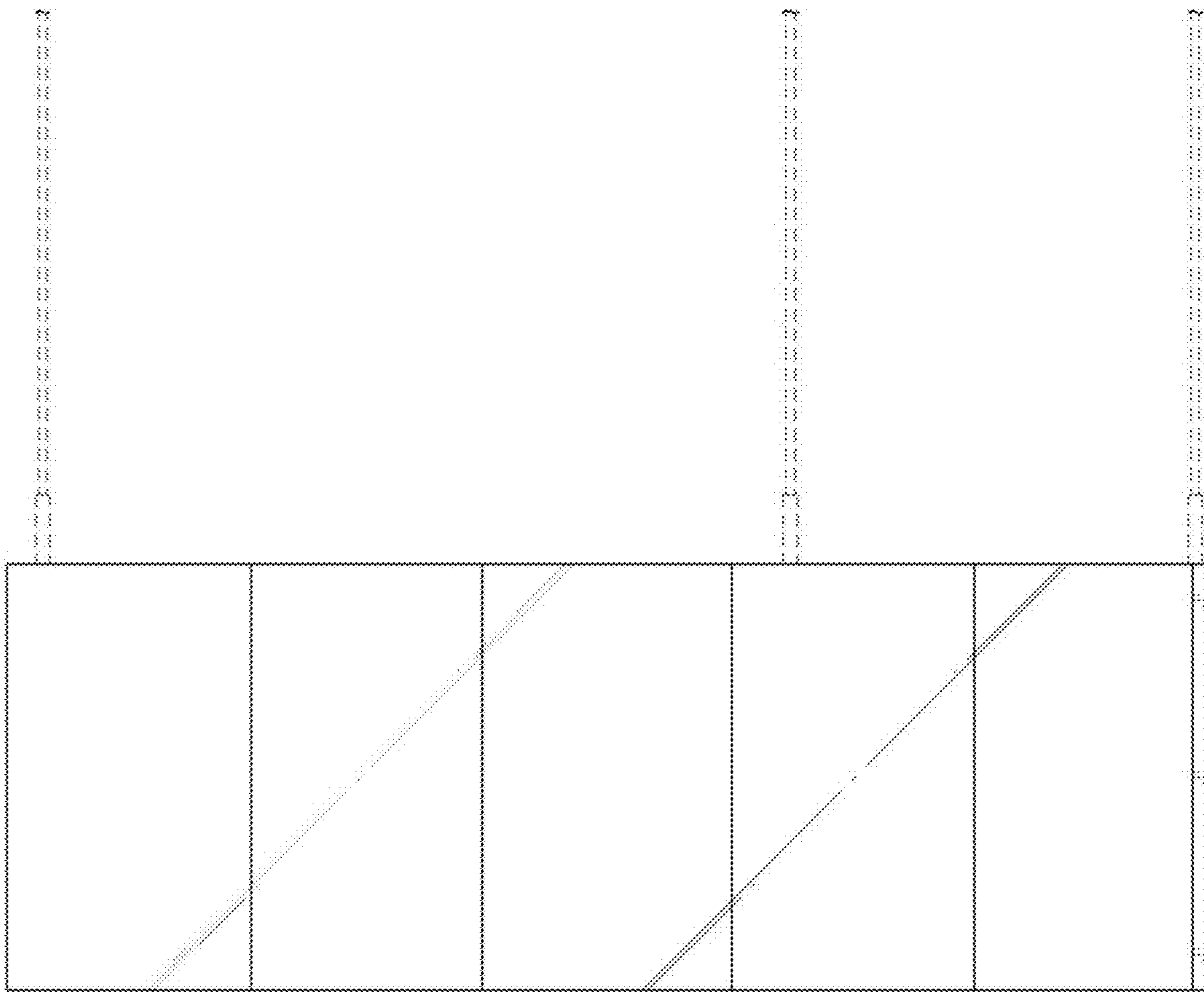
References Cited

U.S. PATENT DOCUMENTS

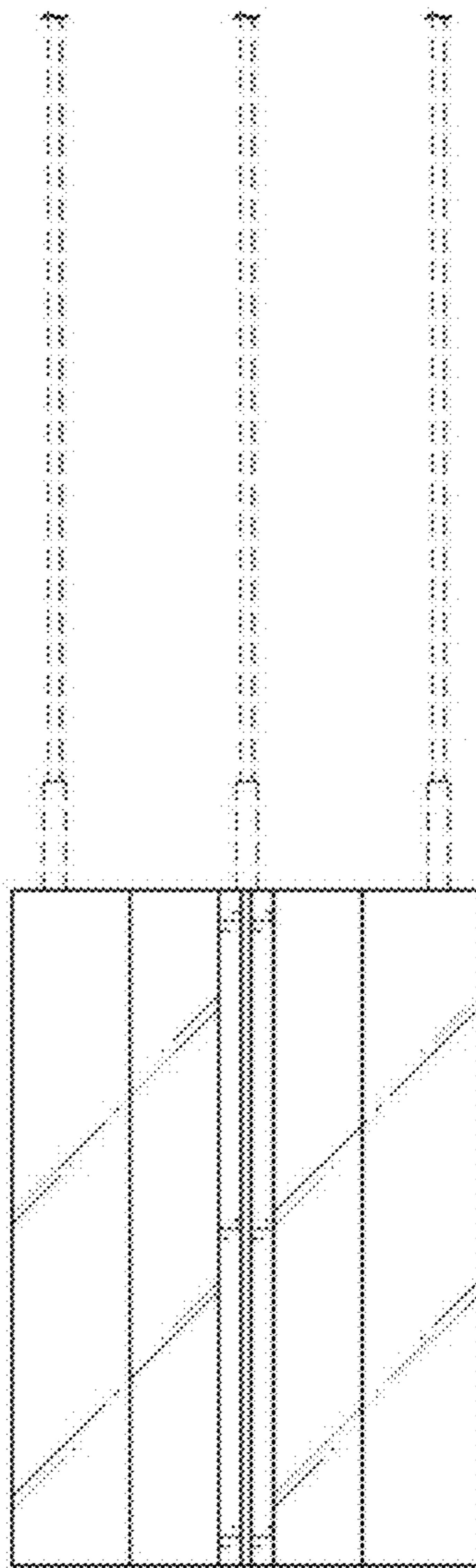
D518,107 S * 3/2006 Nuzzo G09F 7/18
D20/21
D617,842 S * 6/2010 Golke D20/10
8,099,883 B2 * 1/2012 Mestres Armengol ... A47F 5/10
40/124.07
D763,356 S * 8/2016 Takayama D20/10
D831,118 S * 10/2018 Yoon G09F 7/20
D20/10
D835,057 S * 12/2018 Won D14/126

* cited by examiner

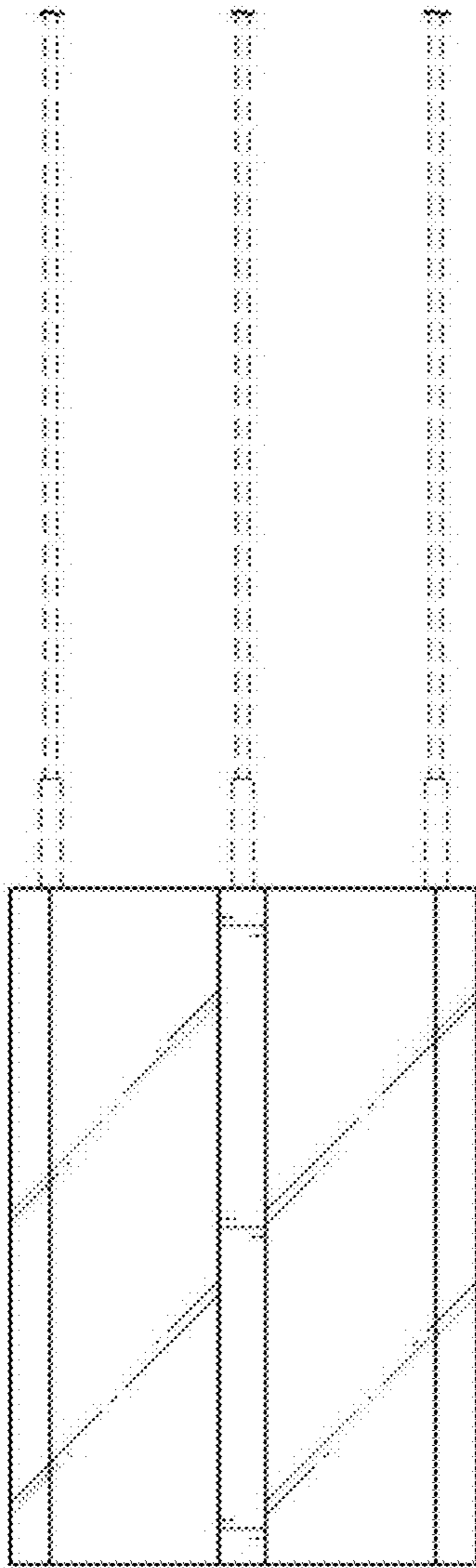
1.2



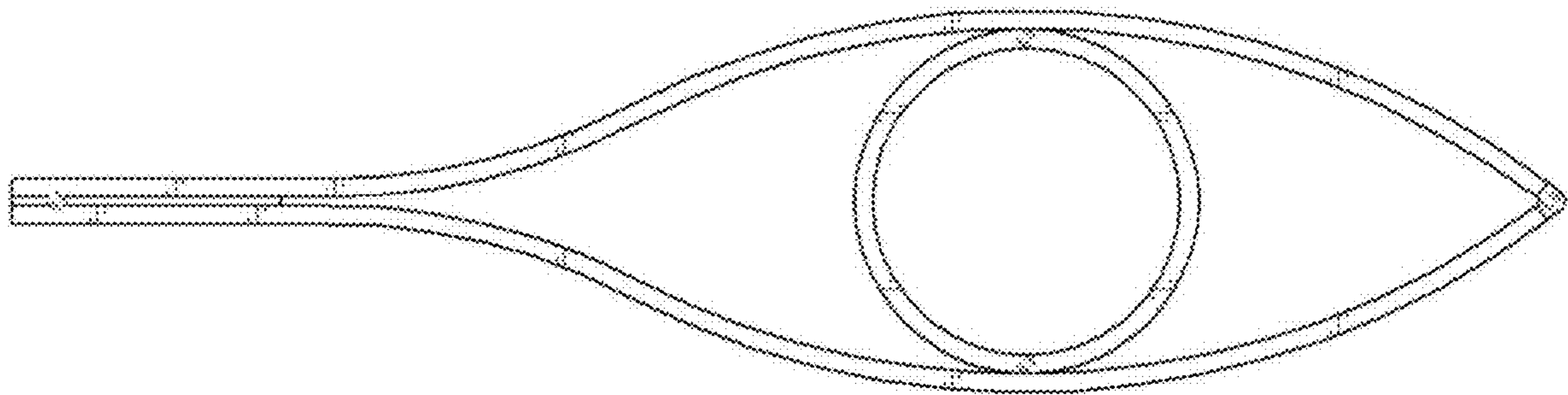
1.3



1.4



1.5



1.6

