



US00D861784S

(12) **United States Design Patent**
Park

(10) **Patent No.:** **US D861,784 S**

(45) **Date of Patent:** **** Oct. 1, 2019**

- (54) **FILE ORGANIZER**
- (71) Applicant: **BKNEST**, Gwangju-si, Gyeonggi-do (KR)
- (72) Inventor: **Tae Shin Park**, Gwangju-si (KR)
- (73) Assignee: **BKNEST**, Gwangju-si (KR)
- (**) Term: **15 Years**
- (21) Appl. No.: **29/654,538**
- (22) Filed: **Jun. 25, 2018**
- (51) **LOC (12) Cl.** **19-02**
- (52) **U.S. Cl.**
USPC **D19/92**
- (58) **Field of Classification Search**
USPC D3/206, 304, 306; D6/553, 567, 573, D6/574, 672, 673, 675, 675.1, 683, 703.5, D6/705.4, 705.7, 706; D7/640, 641; D8/396; D10/71; D19/75, 77-87, 90-92, D19/95-97; D21/392-394
CPC A47B 23/042; A47B 55/06; A47B 63/00; A47F 5/005; A47F 7/14; A47F 7/146; A47F 7/147; B42F 17/08; B43M 99/00; B43M 99/001; B43M 99/003; B43M 99/004; B43M 99/006; B43M 99/007; B43M 99/008; B43M 99/009; B43K 23/001; B43K 23/002; B43K 23/02; B43K 23/04
See application file for complete search history.

- 1,634,699 A * 7/1927 Upjohn A47B 63/02 206/456
- 1,890,143 A * 12/1932 Bales B42F 7/12 206/449
- D147,979 S * 11/1947 Jones 211/135
- 2,664,205 A * 12/1953 Shellman B42F 7/10 211/128.1
- D187,444 S * 3/1960 Lewis D19/92
- D220,702 S * 5/1971 Sweet D19/92
- D232,681 S * 9/1974 Bliss D6/675.1
- D256,643 S * 9/1980 Johnson 211/40
- D259,687 S * 6/1981 Scalice D6/675.1
- D274,489 S * 7/1984 DeVries D6/675.1
- 4,463,684 A * 8/1984 Klungle A47B 43/00 108/91
- 4,552,271 A * 11/1985 Kranz A47J 47/14 108/27
- D307,521 S * 5/1990 Rogers D15/89
- D318,487 S * 7/1991 Kennedy D19/106
- D325,680 S * 4/1992 Kiiski D18/59
- D325,826 S * 5/1992 Brunner D18/59
- D332,647 S * 1/1993 Johnson D21/671

(Continued)

Primary Examiner — Elizabeth A. Albert
(74) *Attorney, Agent, or Firm* — Lewis Roca Rothgerber Christie LLP

(57) **CLAIM**

The ornamental design for file organizer, as shown and described.

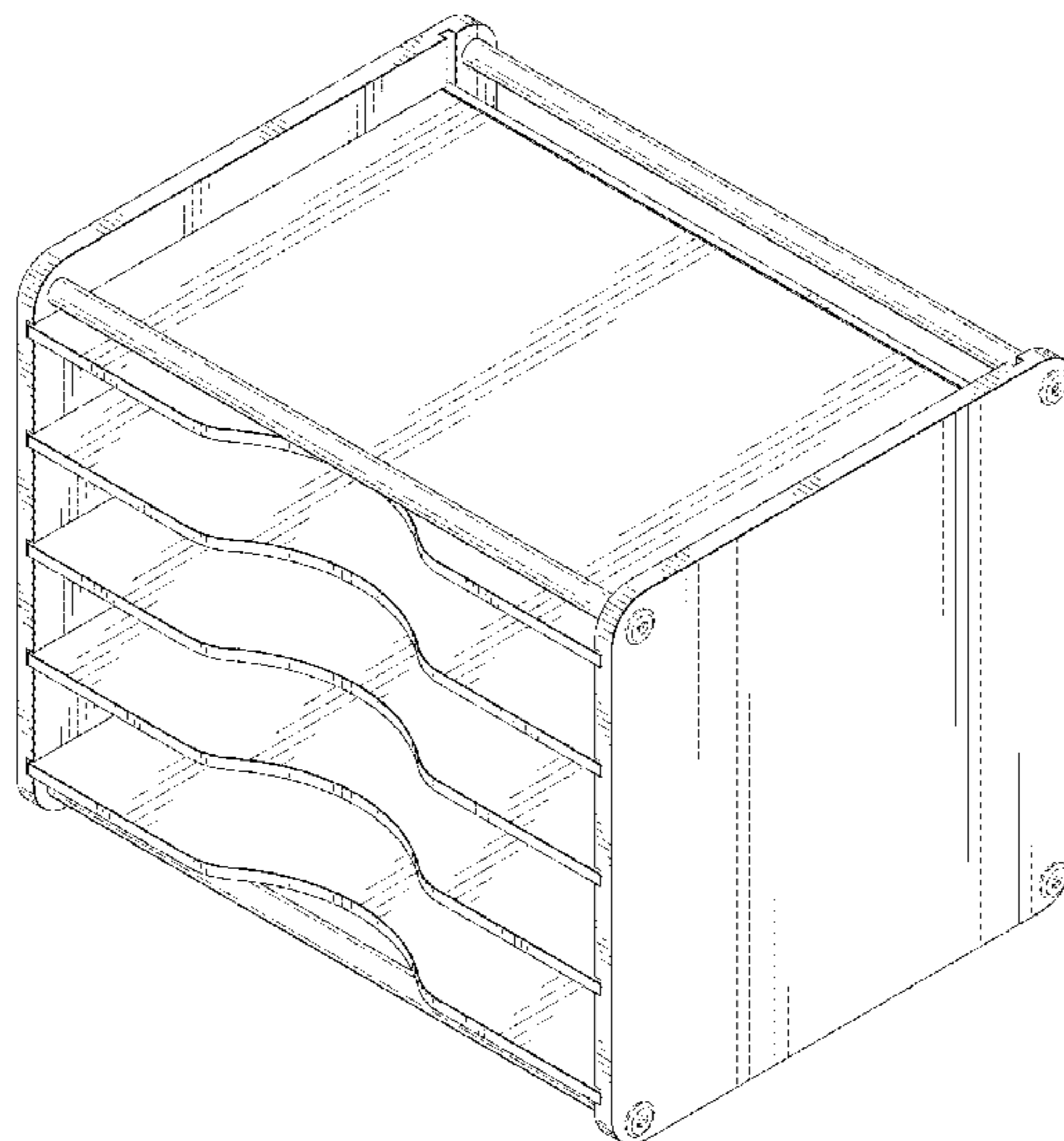
DESCRIPTION

FIG. 1 is a perspective view of a file organizer.
FIG. 2 is a front view thereof;
FIG. 3 is a rear view thereof;
FIG. 4 is a left side view thereof;
FIG. 5 is a right side view thereof;
FIG. 6 is a top view thereof; and,
FIG. 7 is a bottom view thereof.
The broken lines shown in the drawings illustrate portions of the file organizer that form no part of the claimed design.

1 Claim, 7 Drawing Sheets

(56) **References Cited**
U.S. PATENT DOCUMENTS

- 129,688 A * 7/1872 Smith A47B 87/02 312/107
- 460,748 A * 10/1891 Hartmann A47B 7/02 108/91



(56)

References Cited

U.S. PATENT DOCUMENTS

6,030,059	A	*	2/2000	Stravitz	A47B 63/00 206/387.14
D421,628	S	*	3/2000	Harris	D19/75
D426,576	S	*	6/2000	Bruner	D19/78
D444,335	S	*	7/2001	Stravitz	D6/560
D618,932	S	*	7/2010	Linder	D6/675.1
D631,510	S	*	1/2011	Stravitz	D19/78
D823,392	S	*	7/2018	Rabinovitz	D19/92

* cited by examiner

FIG. 1

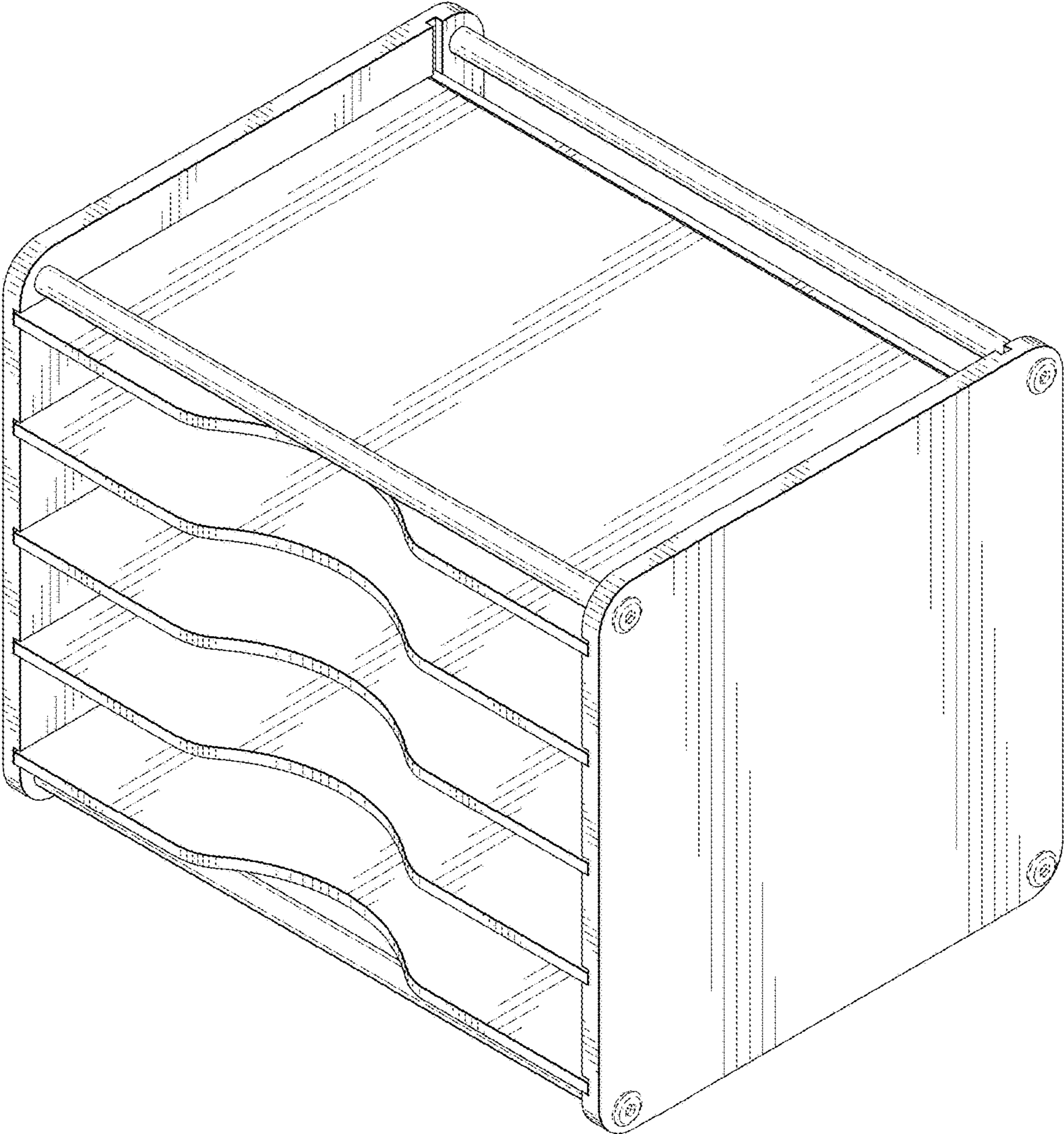


FIG. 2

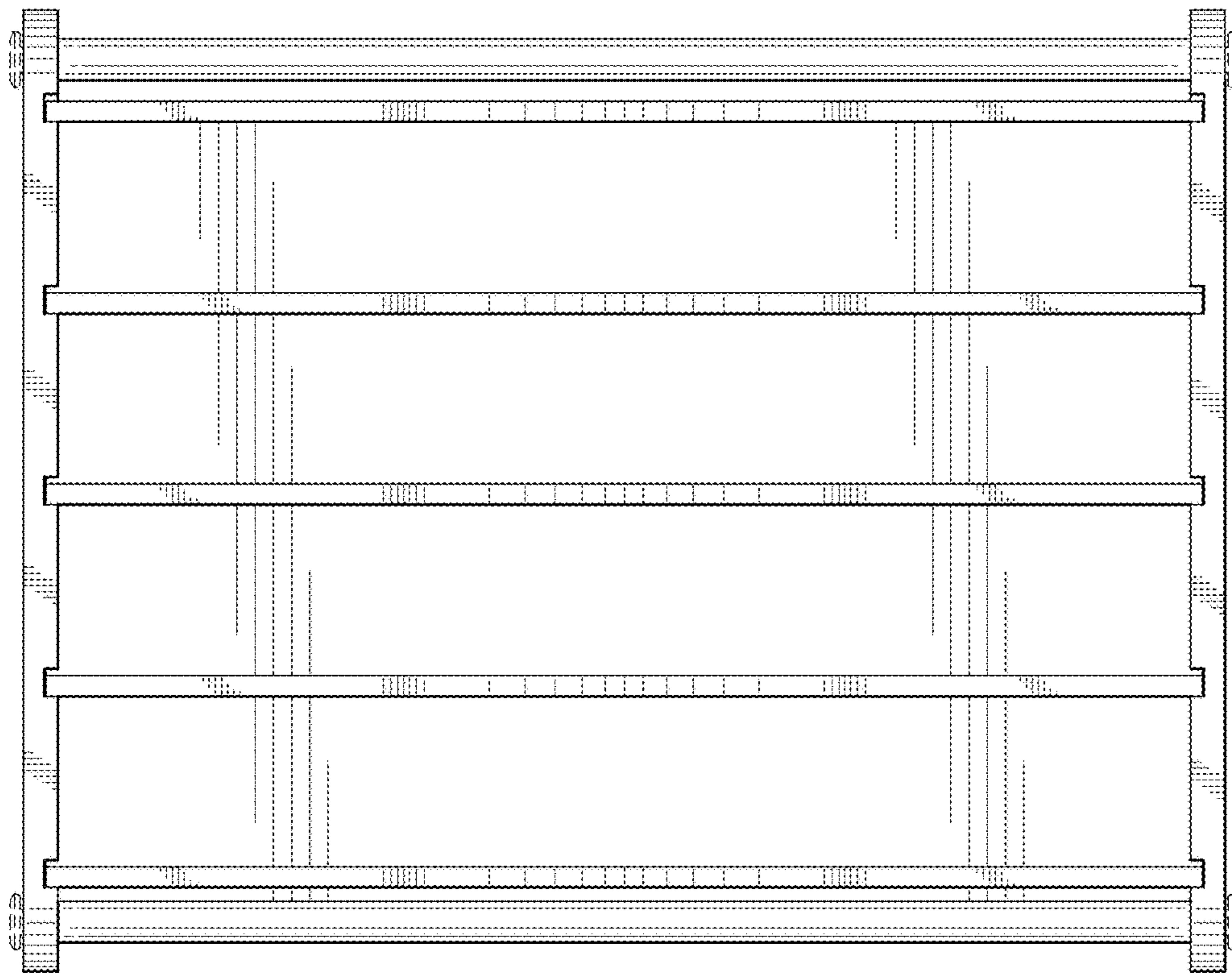


FIG. 3

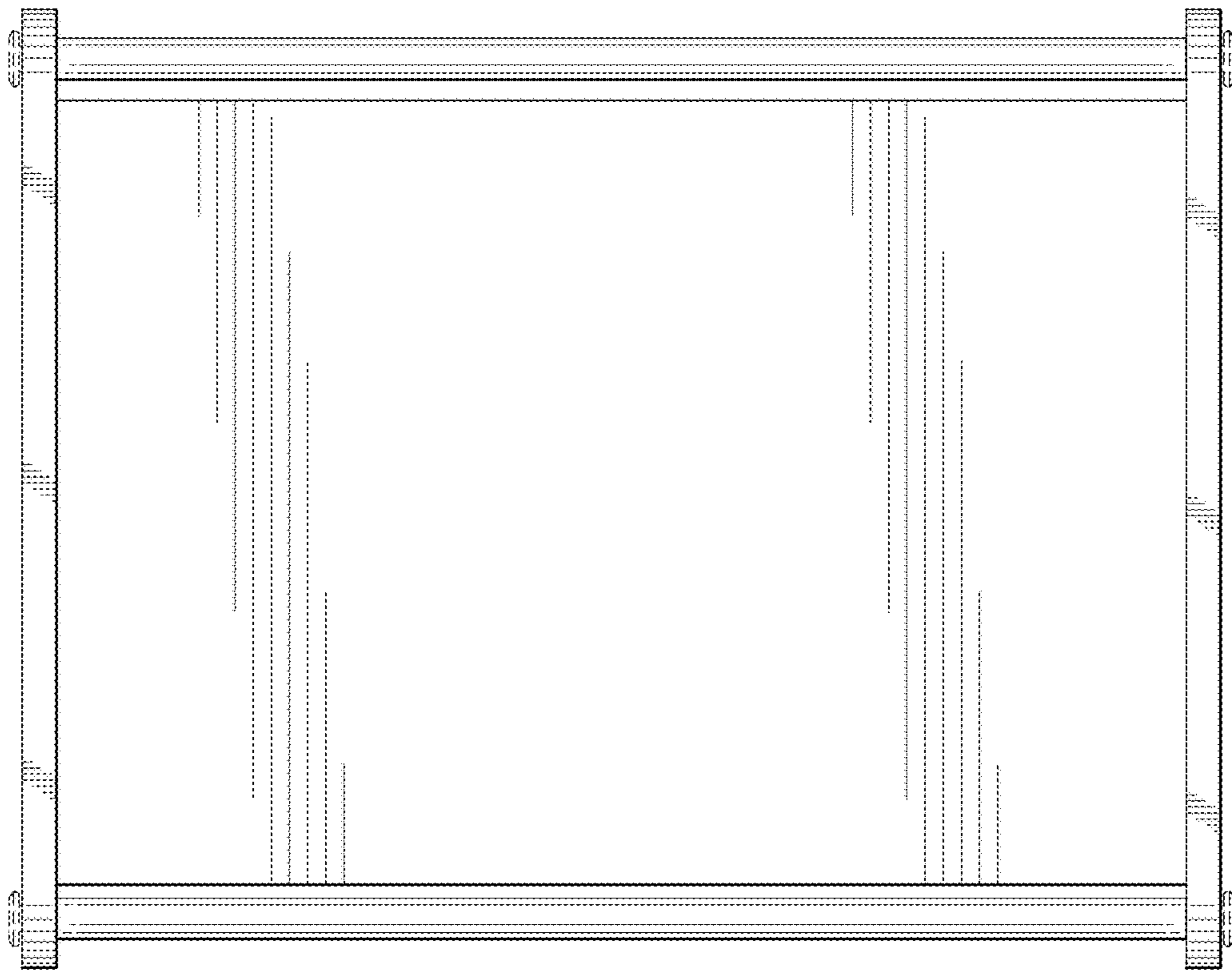


FIG. 4

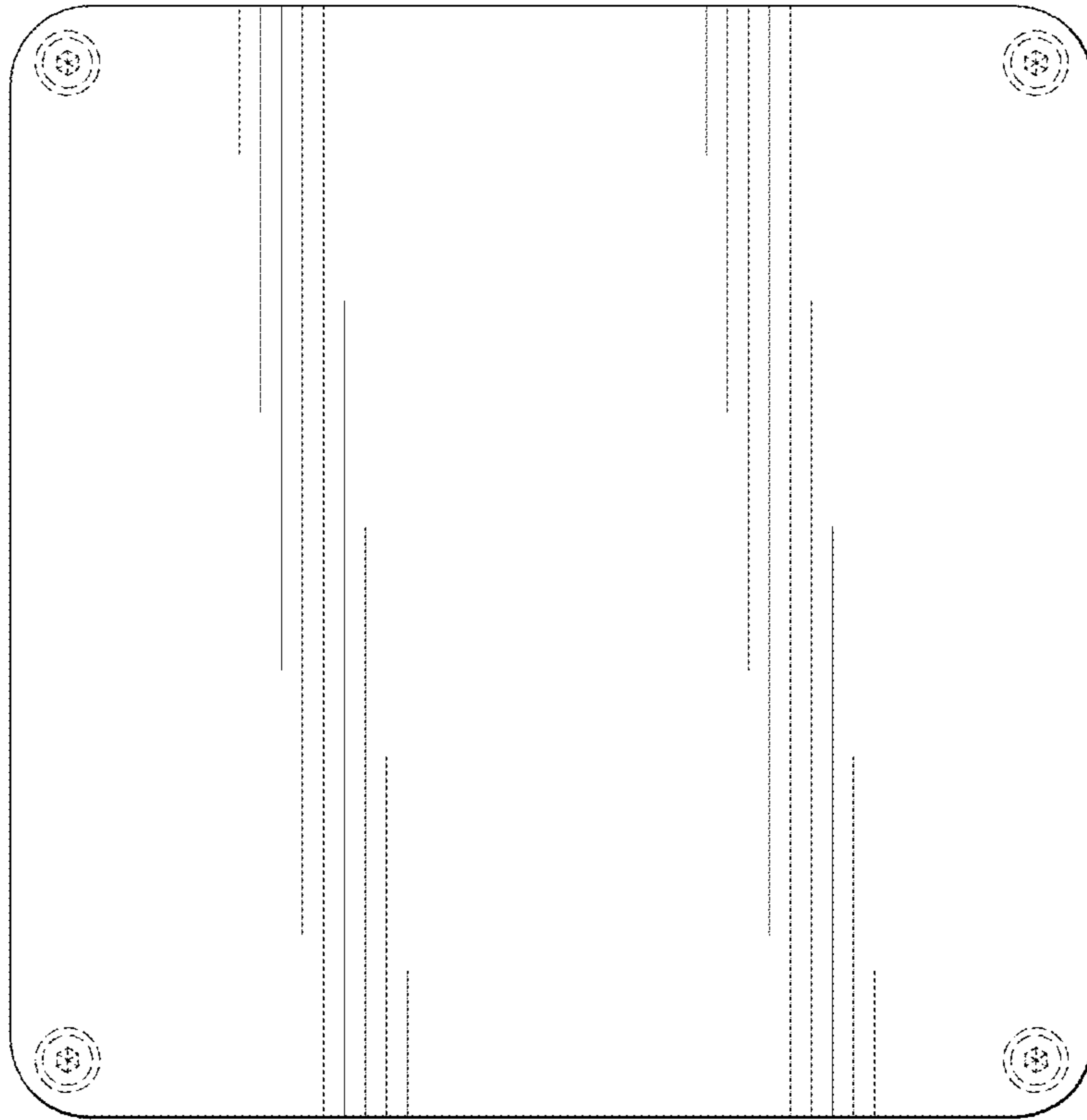


FIG. 5

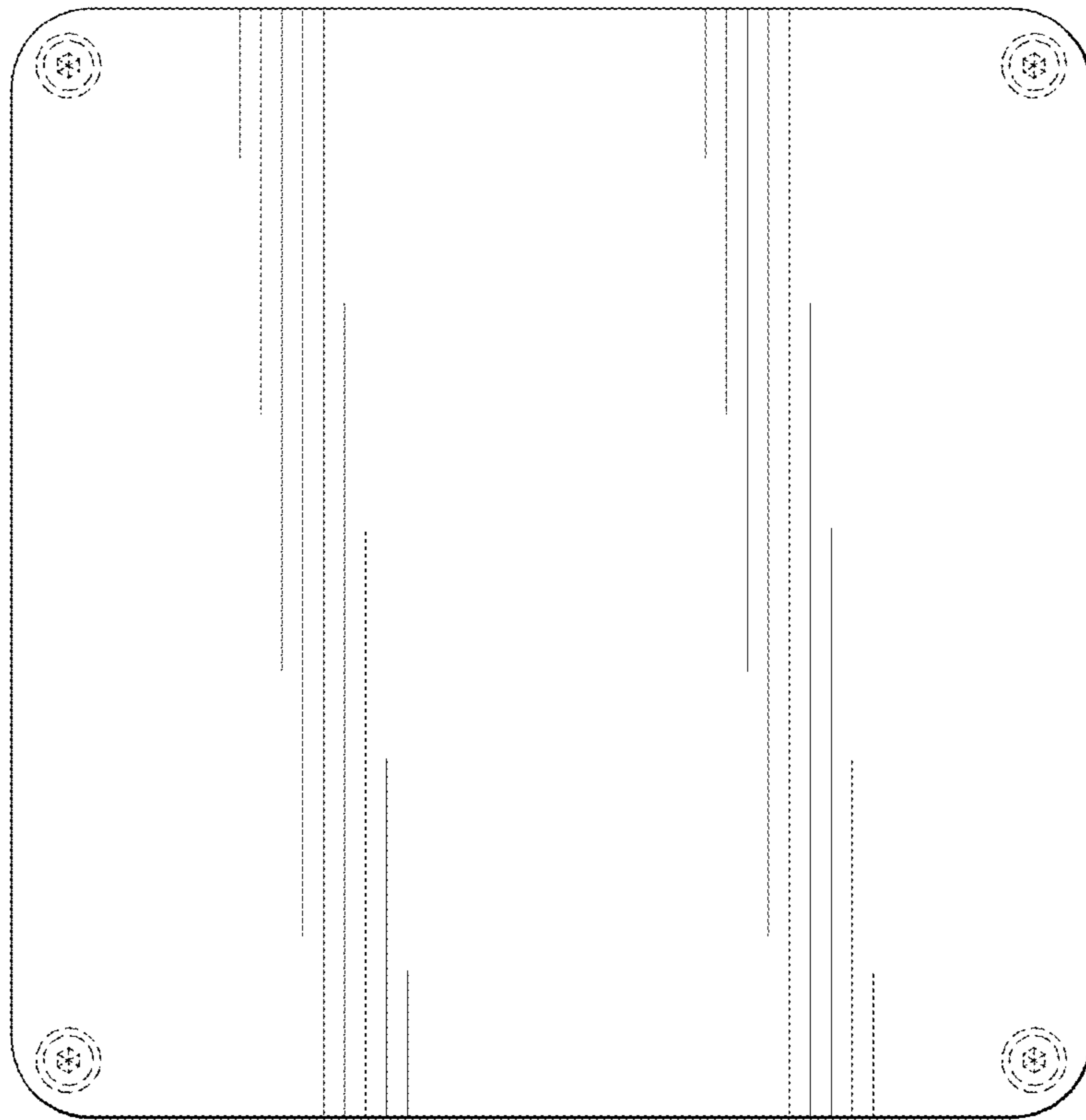


FIG. 6

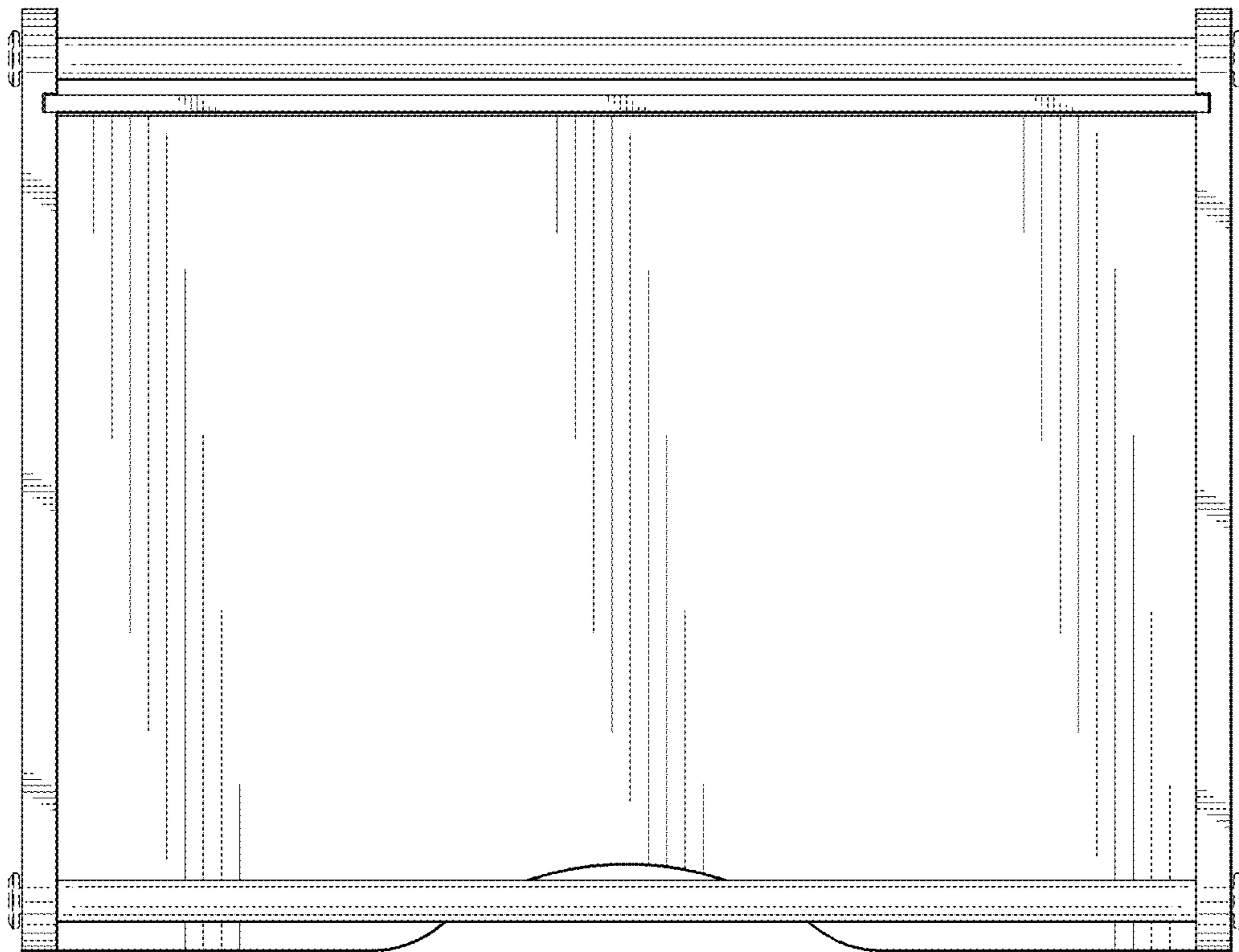


FIG. 7

