



US00D861778S

(12) **United States Design Patent**  
**Day et al.**

(10) **Patent No.:** **US D861,778 S**

(45) **Date of Patent:** **\*\* Oct. 1, 2019**

(54) **TERMINAL**

(71) Applicant: **NCR Corporation**, Atlanta, GA (US)

(72) Inventors: **Philip N. Day**, Fife (GB); **Stephen W. Swaine**, Perth (GB); **Marshall Munro**, Dunfermline (GB); **Steven J. Birnie**, Dundee (GB); **Elina Jokisuu**, Arbroath (GB); **Margaret McKendry**, Carnoustie (GB); **Andrew W. Smith**, Dundee (GB)

(73) Assignee: **NCR Corporation**, Atlanta, GA (US)

(\*\*) Term: **15 Years**

(21) Appl. No.: **29/646,553**

(22) Filed: **May 4, 2018**

(51) **LOC (12) Cl.** ..... **18-01**

(52) **U.S. Cl.**

USPC ..... **D18/4.4**; D14/307

(58) **Field of Classification Search**

USPC ..... D18/2, 4.1, 4.3, 4.4, 4.5, 4.6, 99, 12.3;  
D14/300, 301, 302, 303, 304, 307, 314,  
D14/336, 339, 356, 357, 371, 374, 383,  
D14/385, 386, 388, 421, 496, 129, 133,  
D14/299, 900, 901, 902, 341; D10/46,  
D10/49, 104.1, 106.1, 106.95; D20/1, 10;  
D99/34, 43; D24/177, 186  
CPC .. G07G 1/00; G07G 1/12; G07G 1/14; G07G  
1/0009; G07G 1/0018; G07F 7/0873;  
G07F 7/088; G07F 7/0886; G06Q 20/00;  
G06Q 20/08; G06Q 20/20; G06Q  
30/0238

See application file for complete search history.

(56) **References Cited**

**U.S. PATENT DOCUMENTS**

D263,831 S \* 4/1982 Barbera ..... D14/462  
D277,001 S \* 1/1985 McGarvey ..... D14/392

D289,291 S \* 4/1987 Kapper ..... D14/389  
D293,440 S \* 12/1987 Britz ..... 379/428.01  
D297,535 S \* 9/1988 Gagnon ..... D14/151  
D304,032 S \* 10/1989 Fine ..... D14/374  
D304,599 S \* 11/1989 Cunnane ..... D18/14  
D304,726 S \* 11/1989 Brooks ..... D14/149  
D311,178 S \* 10/1990 Goodner ..... D18/4.6  
D317,756 S \* 6/1991 Fabri ..... D18/4.6  
D318,114 S \* 7/1991 Silbersky ..... D24/177  
D320,982 S \* 10/1991 Siddoway ..... D14/137  
D326,649 S \* 6/1992 Joffe ..... D14/151  
D333,814 S \* 3/1993 Swanson ..... D14/390  
D336,053 S \* 6/1993 Hayes ..... D10/106.1  
D345,966 S \* 4/1994 Perez ..... D18/4.5  
D345,974 S \* 4/1994 Biskup ..... D14/149  
D346,594 S \* 5/1994 Skaggs ..... D14/375  
D348,056 S \* 6/1994 Savio ..... D14/144  
D354,047 S \* 1/1995 Leggate ..... D14/329  
D410,441 S \* 6/1999 Lin ..... D14/314  
D412,125 S \* 7/1999 Couch ..... D10/47  
D428,047 S \* 7/2000 Kolls ..... D18/4.6  
D458,255 S \* 6/2002 Hsu ..... D14/373

(Continued)

*Primary Examiner* — Marie D. Fast Horse

(74) *Attorney, Agent, or Firm* — Paul W. Martin

(57) **CLAIM**

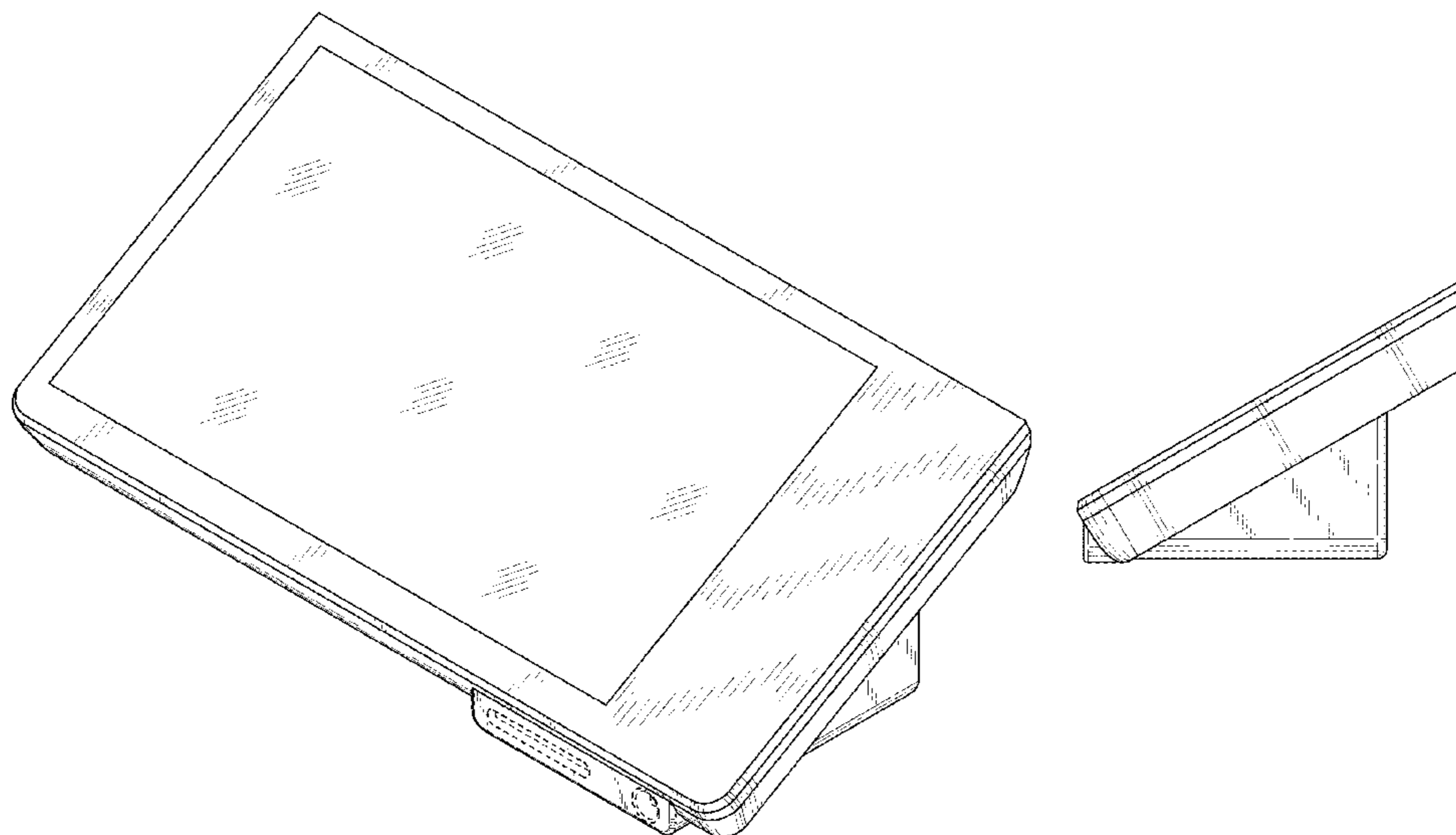
The ornamental design for a terminal, as shown and described.

**DESCRIPTION**

FIG. 1 is a front perspective view of a terminal showing our new design;  
FIG. 2 is a right side view thereof;  
FIG. 3 is a left side view thereof;  
FIG. 4 is a front view thereof;  
FIG. 5 is a rear view thereof;  
FIG. 6 is a top view thereof; and,  
FIG. 7 is a bottom view thereof.

The broken lines in the drawings depict portions of the terminal that form no part of the claimed design.

**1 Claim, 4 Drawing Sheets**



(56)

References Cited

U.S. PATENT DOCUMENTS

6,744,938 B1 \* 6/2004 Rantze ..... G07G 1/0045  
 382/312  
 D498,474 S \* 11/2004 Leisinger ..... D14/336  
 D514,565 S \* 2/2006 Haygood ..... D14/371  
 D519,548 S \* 4/2006 Bergstrom ..... D18/50  
 D533,857 S \* 12/2006 Bradley ..... D14/126  
 D574,829 S \* 8/2008 Shirai ..... D14/422  
 D576,578 S \* 9/2008 Calverley ..... D14/126  
 D577,440 S \* 9/2008 Ferber ..... D24/165  
 D600,689 S \* 9/2009 Jen ..... D14/300  
 D611,032 S \* 3/2010 Kim ..... D14/126  
 D615,515 S \* 5/2010 Hwang ..... D14/130  
 D643,825 S \* 8/2011 Hwang ..... D14/130  
 D646,679 S \* 10/2011 Dan ..... D14/341  
 D651,319 S \* 12/2011 Hara ..... D24/165  
 D654,074 S \* 2/2012 Wood ..... D14/341  
 D669,380 S \* 10/2012 Kong ..... D10/104.1  
 D672,346 S \* 12/2012 Shen ..... D14/341  
 D680,653 S \* 4/2013 Fullerton ..... D24/167  
 D686,654 S \* 7/2013 Kim ..... D18/4.6  
 D690,661 S \* 10/2013 Wisniewski ..... D13/162  
 D693,607 S \* 11/2013 Johnson ..... D6/672  
 D696,403 S \* 12/2013 Noguchi ..... D24/165  
 D697,506 S \* 1/2014 Bianco ..... D14/336  
 D697,910 S \* 1/2014 Bianco ..... D14/336  
 D707,685 S \* 6/2014 Johnson ..... D14/447  
 D708,184 S \* 7/2014 Romanoff ..... D14/422  
 D710,715 S \* 8/2014 Bianco ..... D10/24  
 D711,875 S \* 8/2014 Daniel ..... D14/385  
 D720,393 S \* 12/2014 Held ..... D18/4.4  
 D725,182 S \* 3/2015 Haller ..... D18/11  
 D743,561 S \* 11/2015 Maisch ..... D24/186  
 D750,621 S \* 3/2016 Looz Canizares ..... D14/203.7  
 D763,247 S \* 8/2016 Yepez ..... D14/307  
 D771,139 S \* 11/2016 Poulheim ..... D14/203.3  
 D778,982 S \* 2/2017 Beatty ..... D18/4.5  
 D782,466 S \* 3/2017 Yepez ..... D14/307

D784,270 S \* 4/2017 Bhattacharya ..... D13/162  
 D798,378 S \* 9/2017 Kim ..... D18/4.6  
 D802,134 S \* 11/2017 Geißler ..... D24/144  
 D811,383 S \* 2/2018 Diasabeygunawardena .....  
 D14/336  
 D811,384 S \* 2/2018 Diasabeygunawardena .....  
 D14/336  
 D828,568 S \* 9/2018 Kohler ..... D24/186  
 D831,639 S \* 10/2018 Terry ..... D14/307  
 D834,015 S \* 11/2018 Case ..... D14/371  
 D834,541 S \* 11/2018 You ..... D13/162  
 D834,573 S \* 11/2018 Pell ..... D14/336  
 2007/0038517 A1 \* 2/2007 Lin ..... G07G 1/0018  
 705/17  
 2012/0224200 A1 \* 9/2012 Nihashi ..... G07G 1/0018  
 358/1.12  
 2013/0155595 A1 \* 6/2013 Herring ..... G07G 1/0018  
 361/679.21  
 2013/0235420 A1 \* 9/2013 Nihashi ..... G07G 1/0018  
 358/1.15  
 2013/0262248 A1 \* 10/2013 Kim ..... G07G 1/0018  
 705/17  
 2013/0278057 A1 \* 10/2013 Fukuta ..... G06F 1/263  
 307/29  
 2013/0282499 A1 \* 10/2013 Kato ..... G07G 1/0018  
 705/16  
 2013/0320177 A1 \* 12/2013 Chen ..... F16M 11/10  
 248/371  
 2014/0267957 A1 \* 9/2014 Iwamoto ..... G07G 1/0018  
 349/12  
 2015/0178707 A1 \* 6/2015 Temmo ..... G07G 1/00  
 705/21  
 2016/0232508 A1 \* 8/2016 Nishiie ..... G07G 1/0018  
 2016/0335037 A1 \* 11/2016 Baranowski ..... G07G 1/0018  
 2017/0186284 A1 \* 6/2017 Nozaki ..... G07G 1/0018  
 2017/0278361 A1 \* 9/2017 Fujimoto ..... G07G 1/0018  
 2017/0300893 A1 \* 10/2017 Sasaki ..... G07G 1/0018

\* cited by examiner

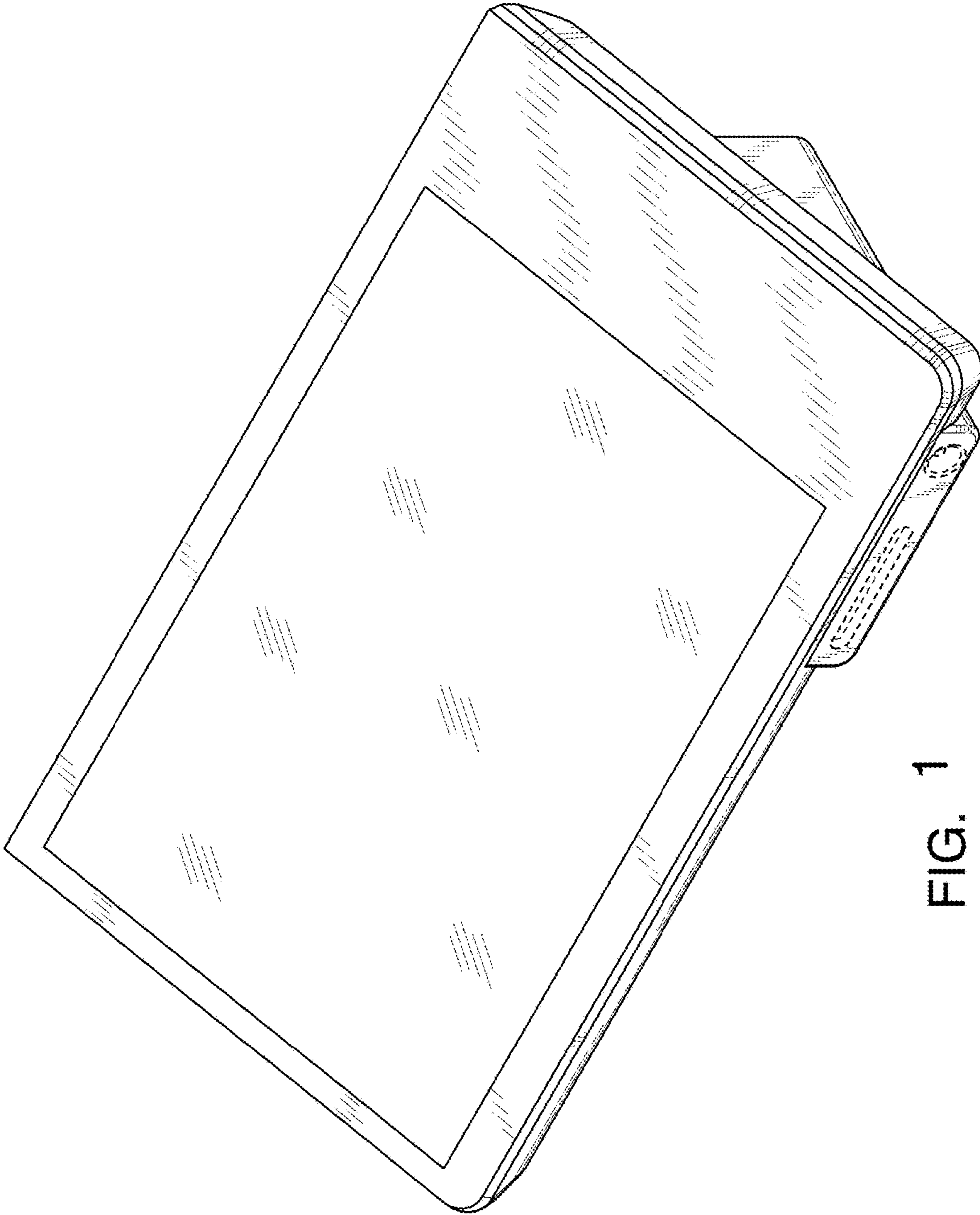


FIG. 1



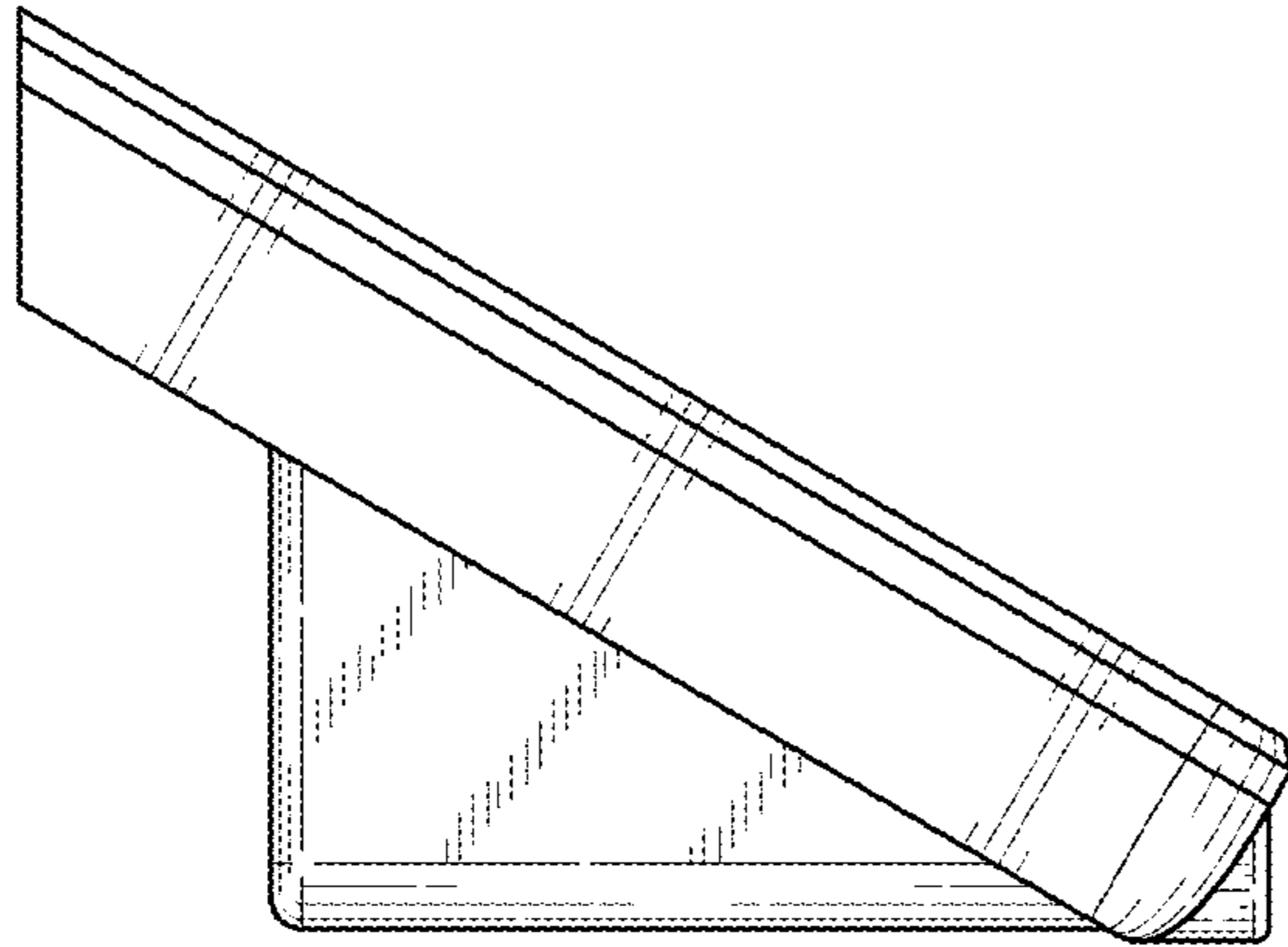


FIG. 2

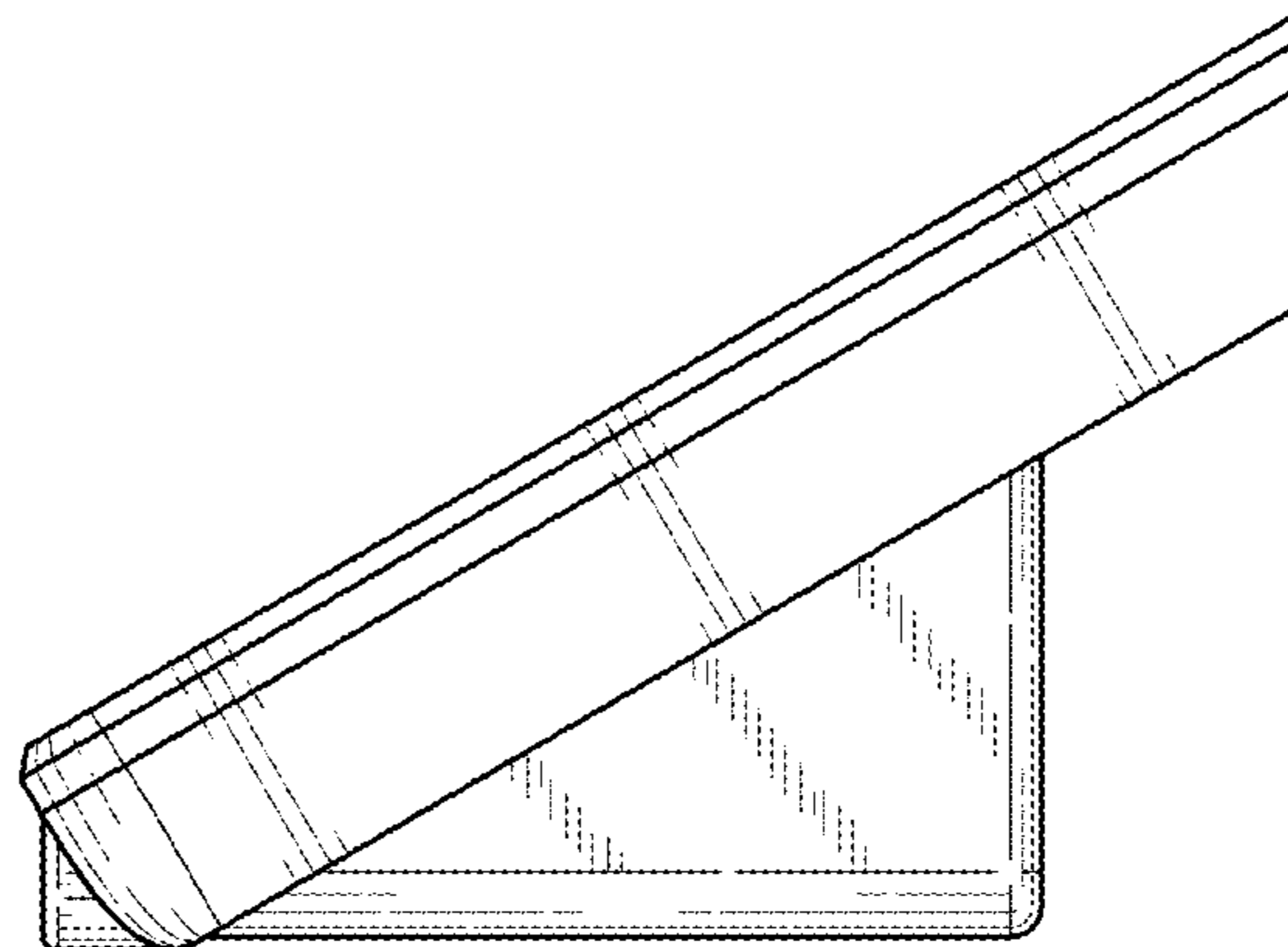


FIG. 3

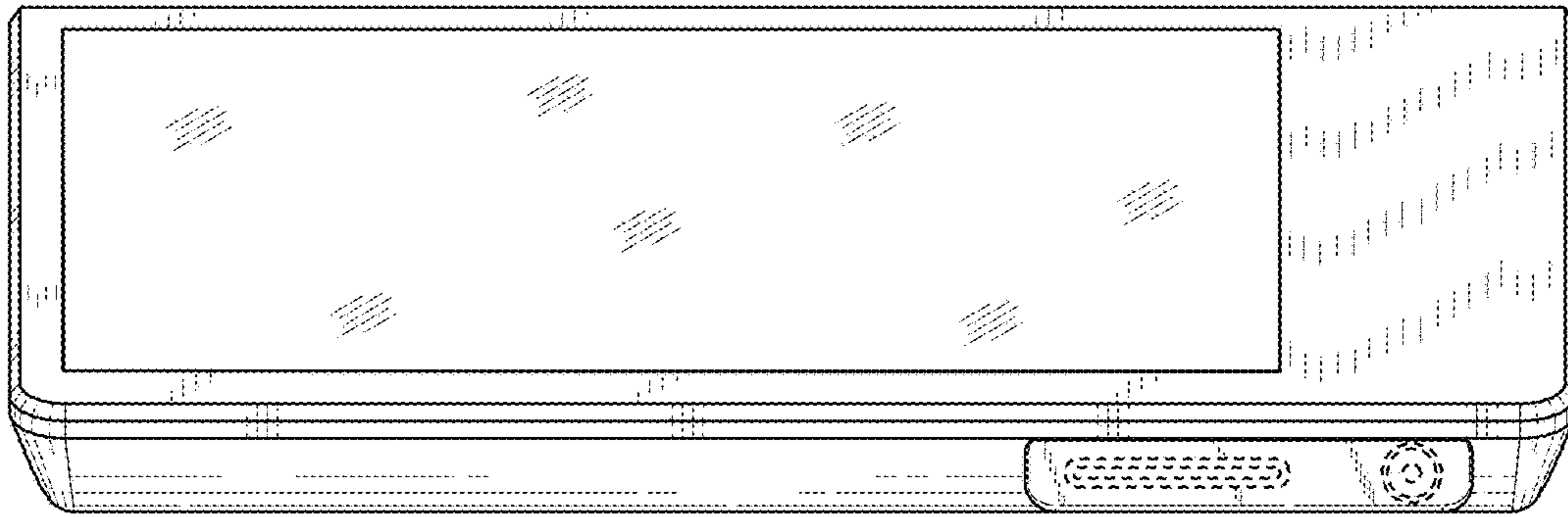


FIG. 4

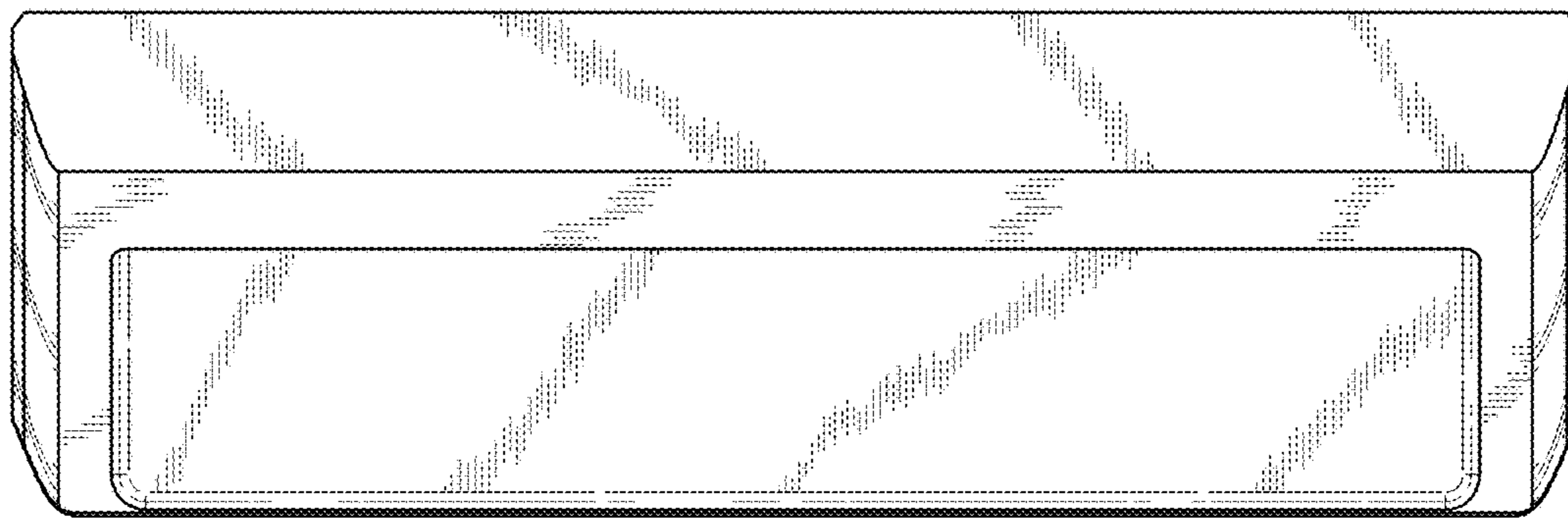


FIG. 5

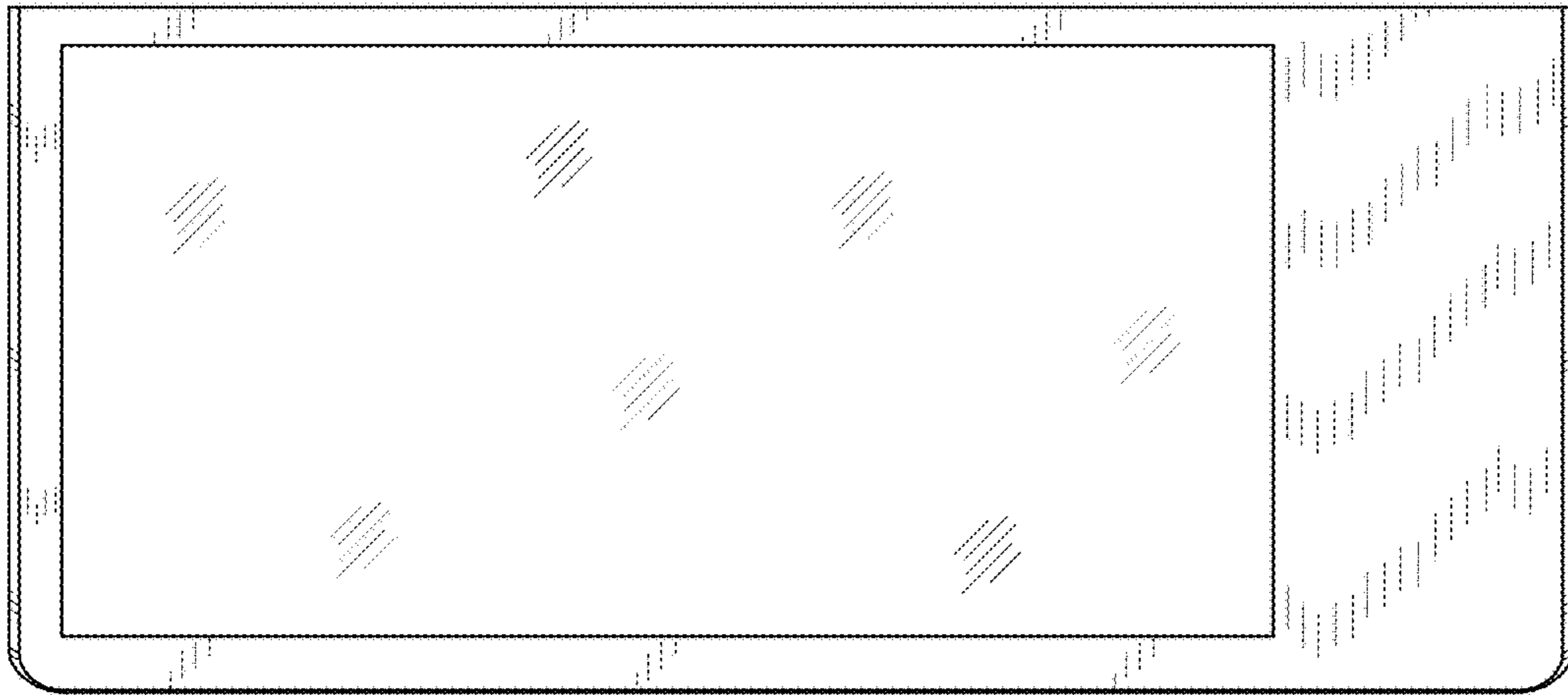


FIG. 6

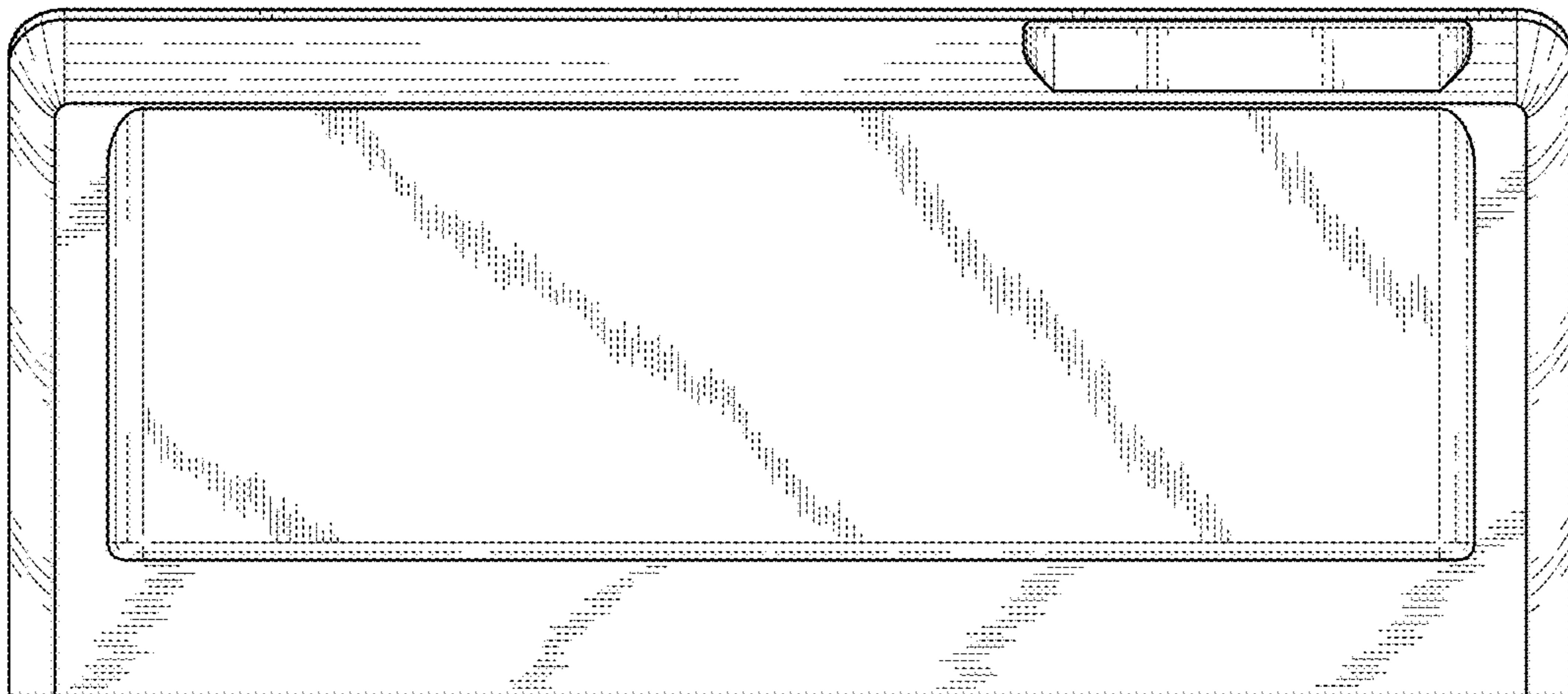


FIG. 7