



US00D861776S

(12) **United States Design Patent** (10) **Patent No.:** **US D861,776 S**  
**von Maydell et al.** (45) **Date of Patent:** **\*\* Oct. 1, 2019**

(54) **HANDPULL MUSICAL INSTRUMENT**

(71) Applicant: **Hohner Musikinstrumente GmbH**,  
Trossingen (DE)

(72) Inventors: **Peter von Maydell**, Berlin (DE); **Ingo Aurin**, Hamburg (DE)

(73) Assignee: **Hohner Musikinstrumente GmbH**,  
Trossingen (DE)

(\*\*) Term: **15 Years**

(21) Appl. No.: **29/633,850**

(22) Filed: **Jan. 16, 2018**

(30) **Foreign Application Priority Data**

Jul. 21, 2017 (DE) ..... 004115061

(51) **LOC (12) Cl.** ..... **17-01**

(52) **U.S. Cl.**  
USPC ..... **D17/3**

(58) **Field of Classification Search**

USPC ..... D17/1, 2, 3, 4, 99; D14/341, 217;

D21/405, 409, 411; D28/44, 45, 49, 51

CPC ..... G10D 11/00; G10D 11/02; G10H 3/16;

G10H 1/32

See application file for complete search history.

(56) **References Cited**

**U.S. PATENT DOCUMENTS**

D96,343 S \* 7/1935 Schmidt ..... D17/3

D113,136 S \* 1/1939 Farny ..... D17/3

D160,898 S \* 11/1950 Stancato ..... D17/3

D162,554 S \* 3/1951 Magnus ..... D17/3

D174,829 S \* 5/1955 Noble ..... D17/4  
D177,197 S \* 3/1956 Sordani ..... D17/3  
3,104,581 A \* 9/1963 Berwin ..... G10D 11/00  
84/171  
D451,639 S \* 12/2001 Lior ..... D28/10  
2019/0035368 A1 \* 1/2019 Trapp ..... G10D 11/00

**FOREIGN PATENT DOCUMENTS**

DE 1785862 3/1959  
EP 3401900 A1 \* 11/2018 ..... G10D 11/00  
FR 2945146 11/2010

\* cited by examiner

*Primary Examiner* — Sheryl Lane

*Assistant Examiner* — Samantha N Wood

(74) *Attorney, Agent, or Firm* — Kilpatrick Townsend & Stockton LLP

(57) **CLAIM**

The ornamental design for a handpull musical instrument, as shown and described.

**DESCRIPTION**

FIG. 1 is a perspective view of a handpull musical instrument seen from the front;

FIG. 2 is a front view of the handpull musical instrument;

FIG. 3 is a back view of the handpull musical instrument;

FIG. 4 is a side view of the right side of the handpull musical instrument;

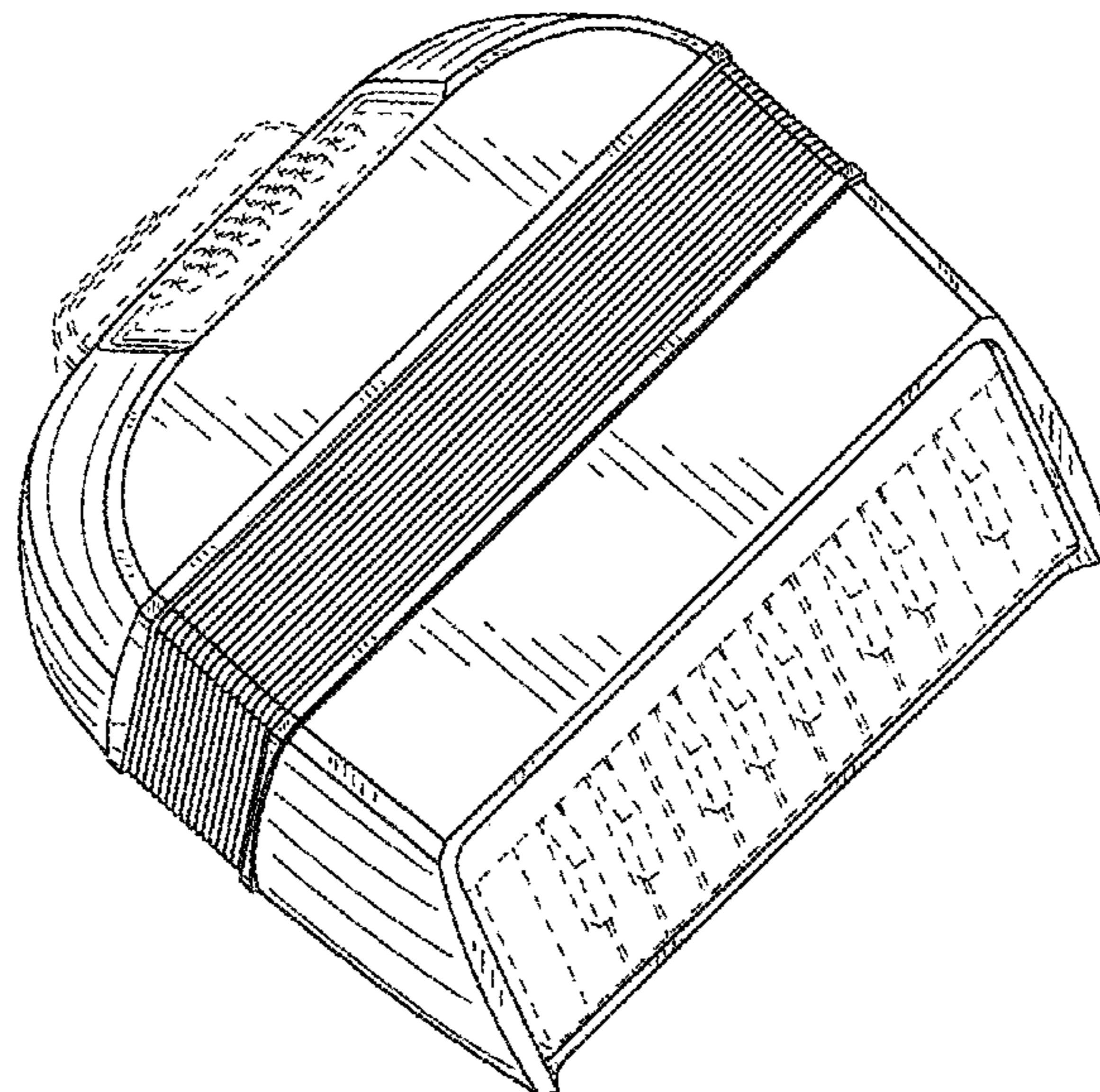
FIG. 5 is a side view of the left side of the handpull musical instrument;

FIG. 6 is a top view of the handpull musical instrument; and,

FIG. 7 is a bottom view of the handpull musical instrument.

The features shown in dashed line form no part of the claimed invention.

**1 Claim, 7 Drawing Sheets**



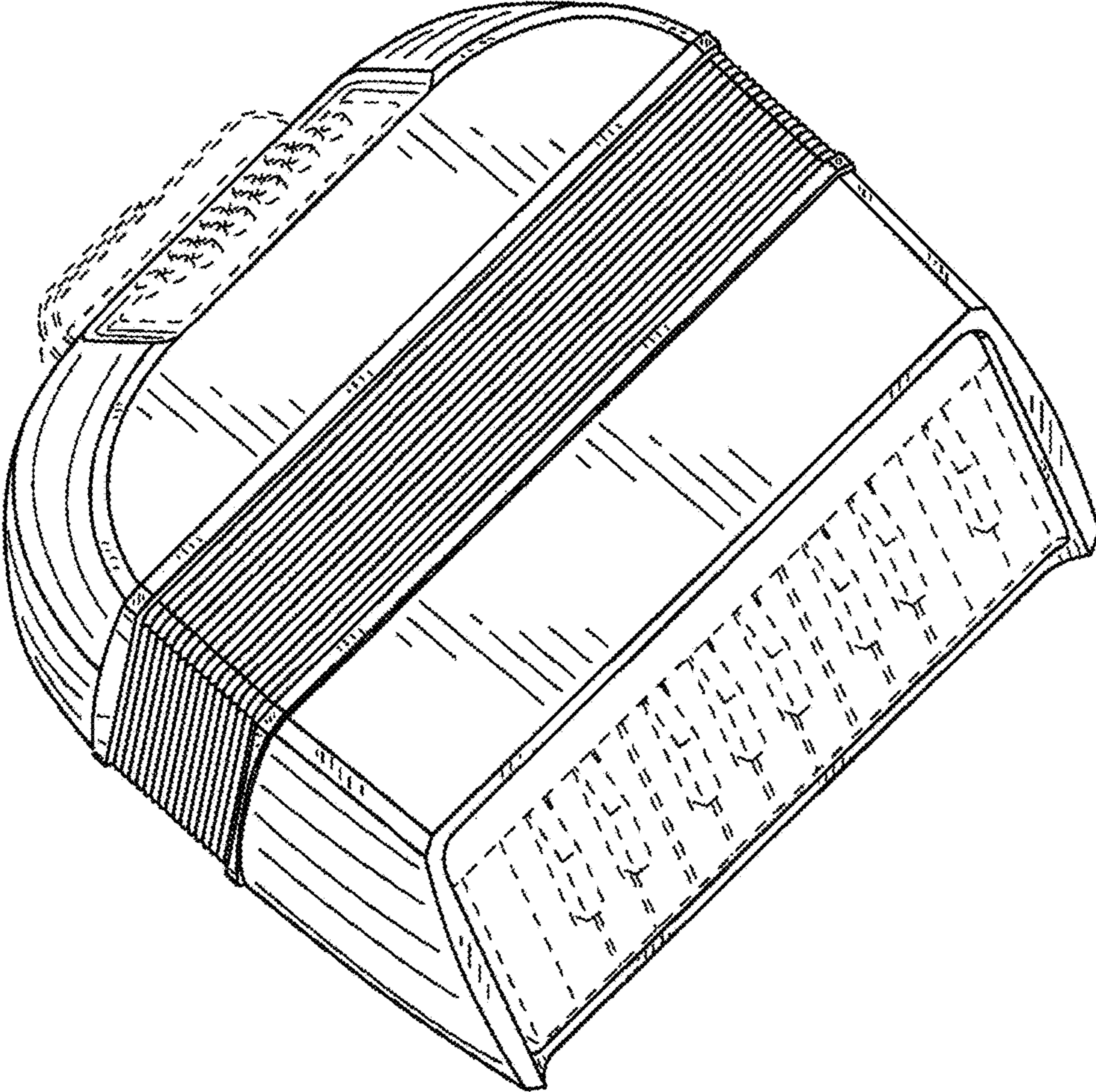


FIG.1

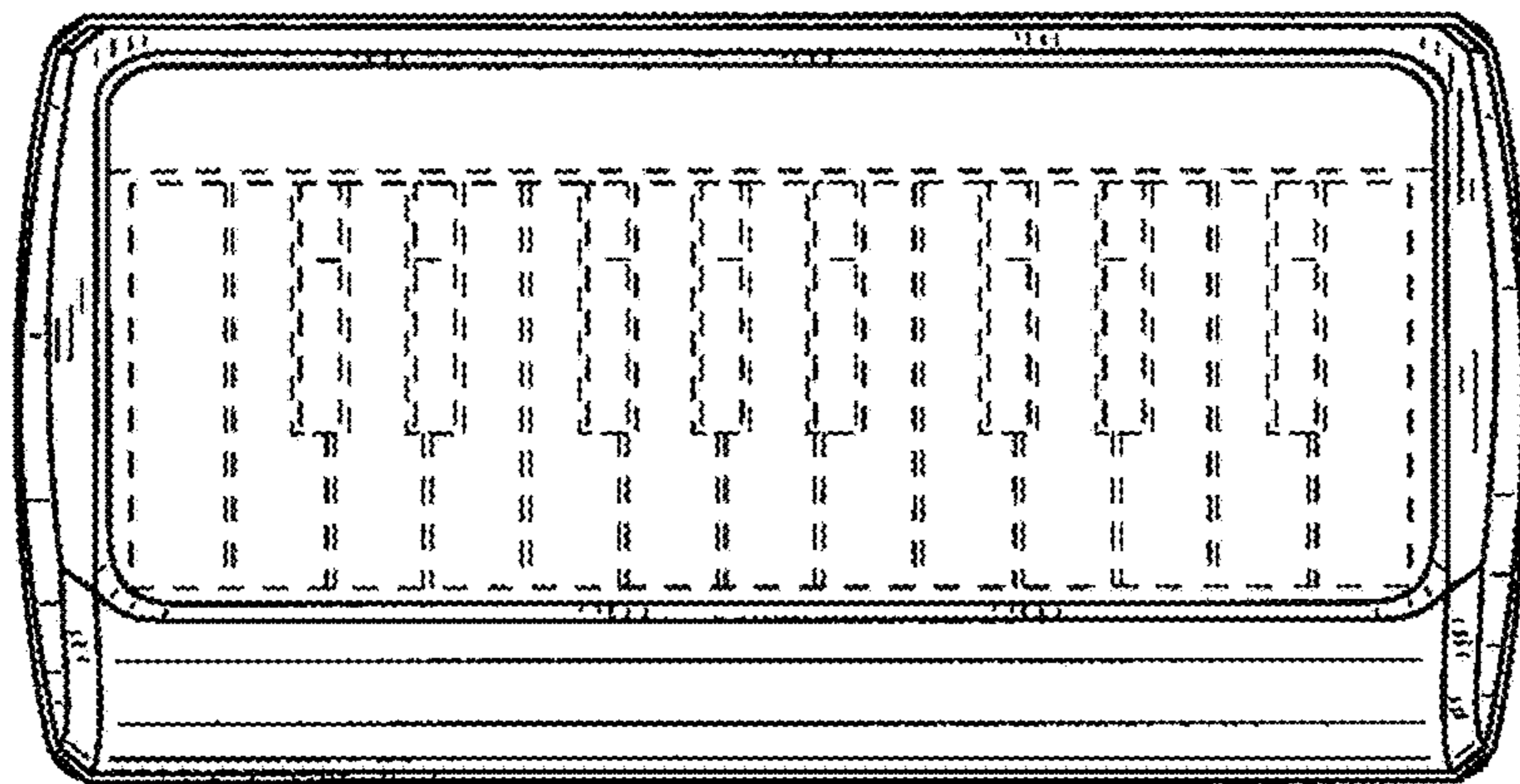


FIG.2

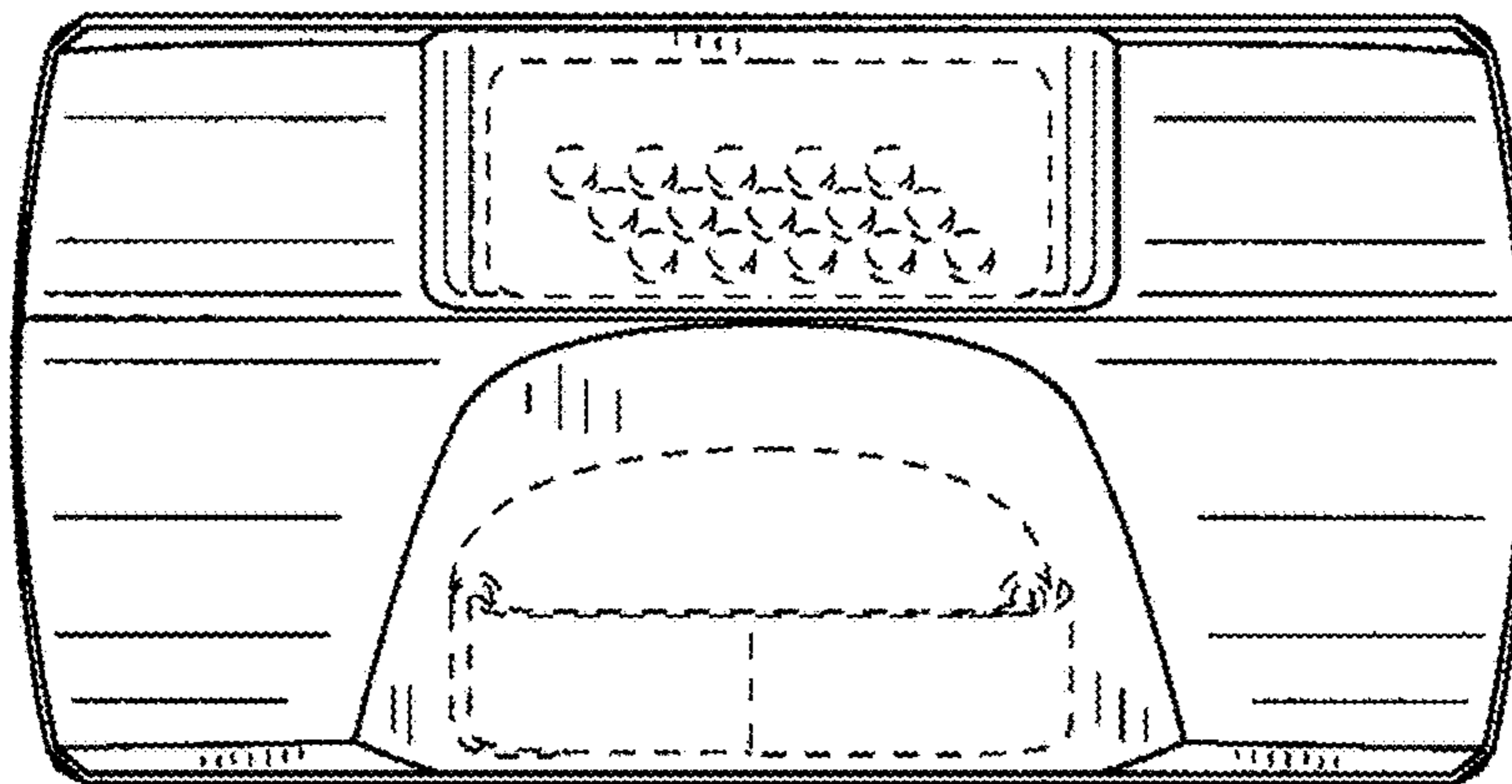


FIG.3

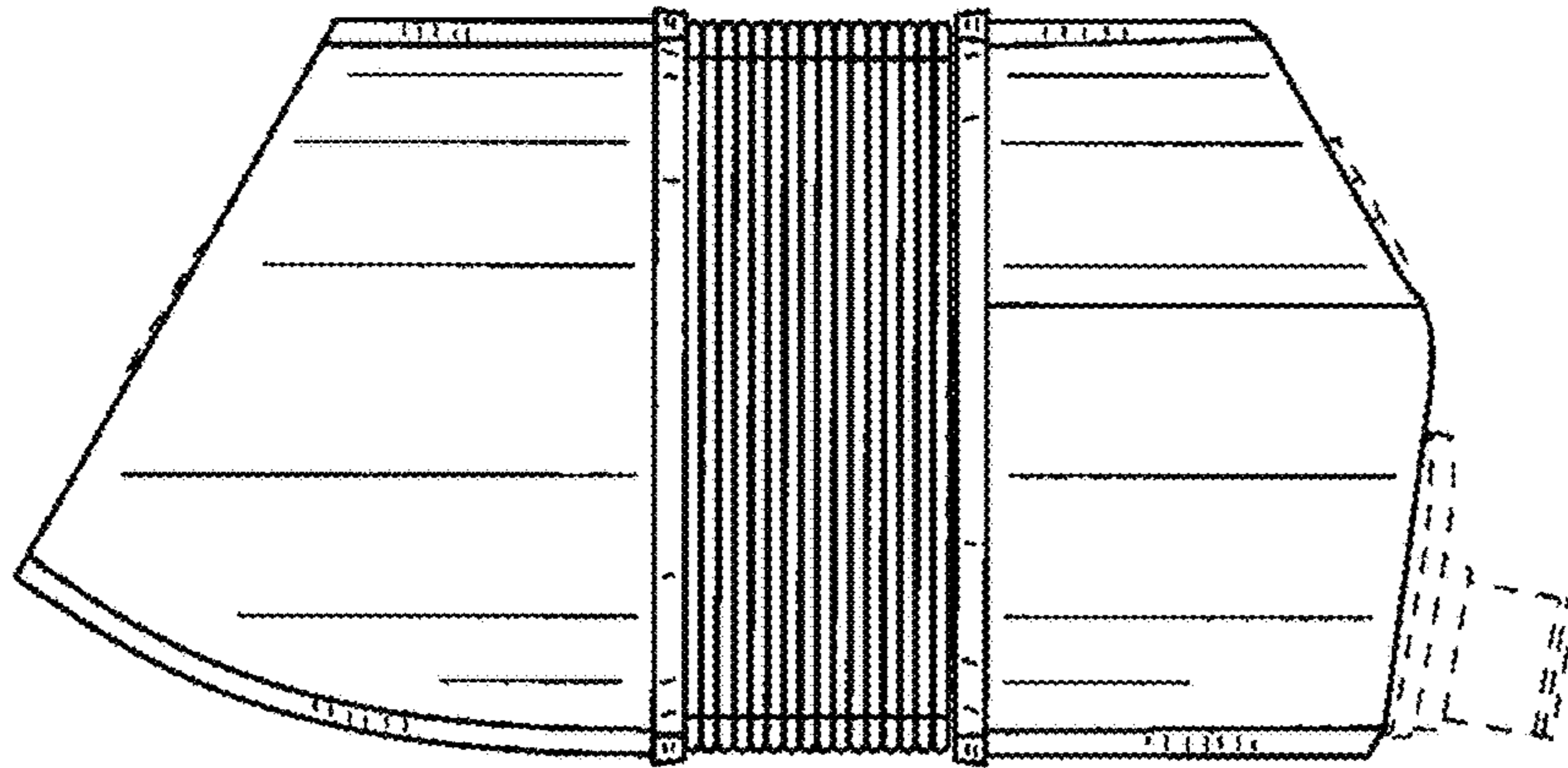


FIG.4

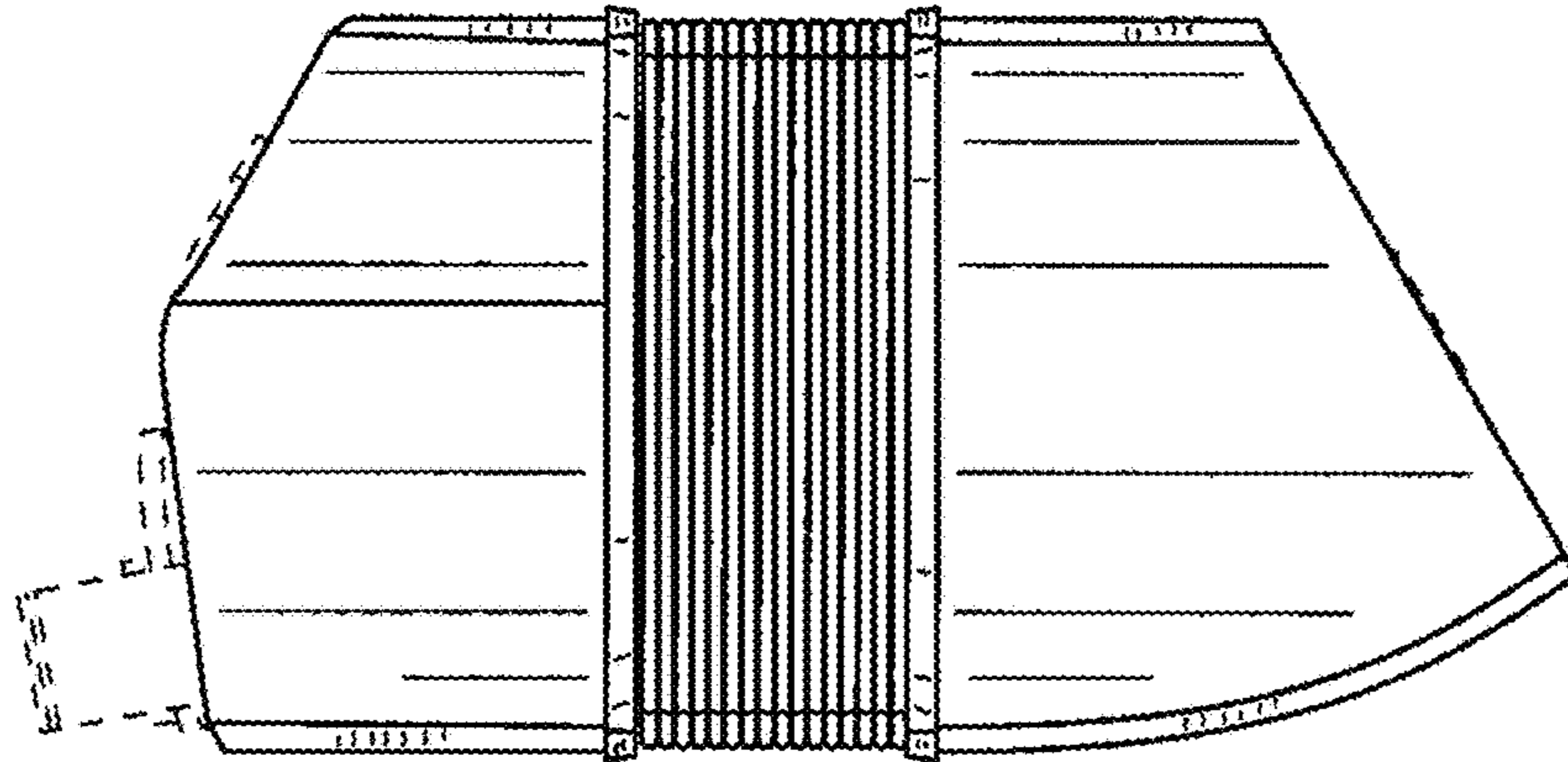


FIG.5

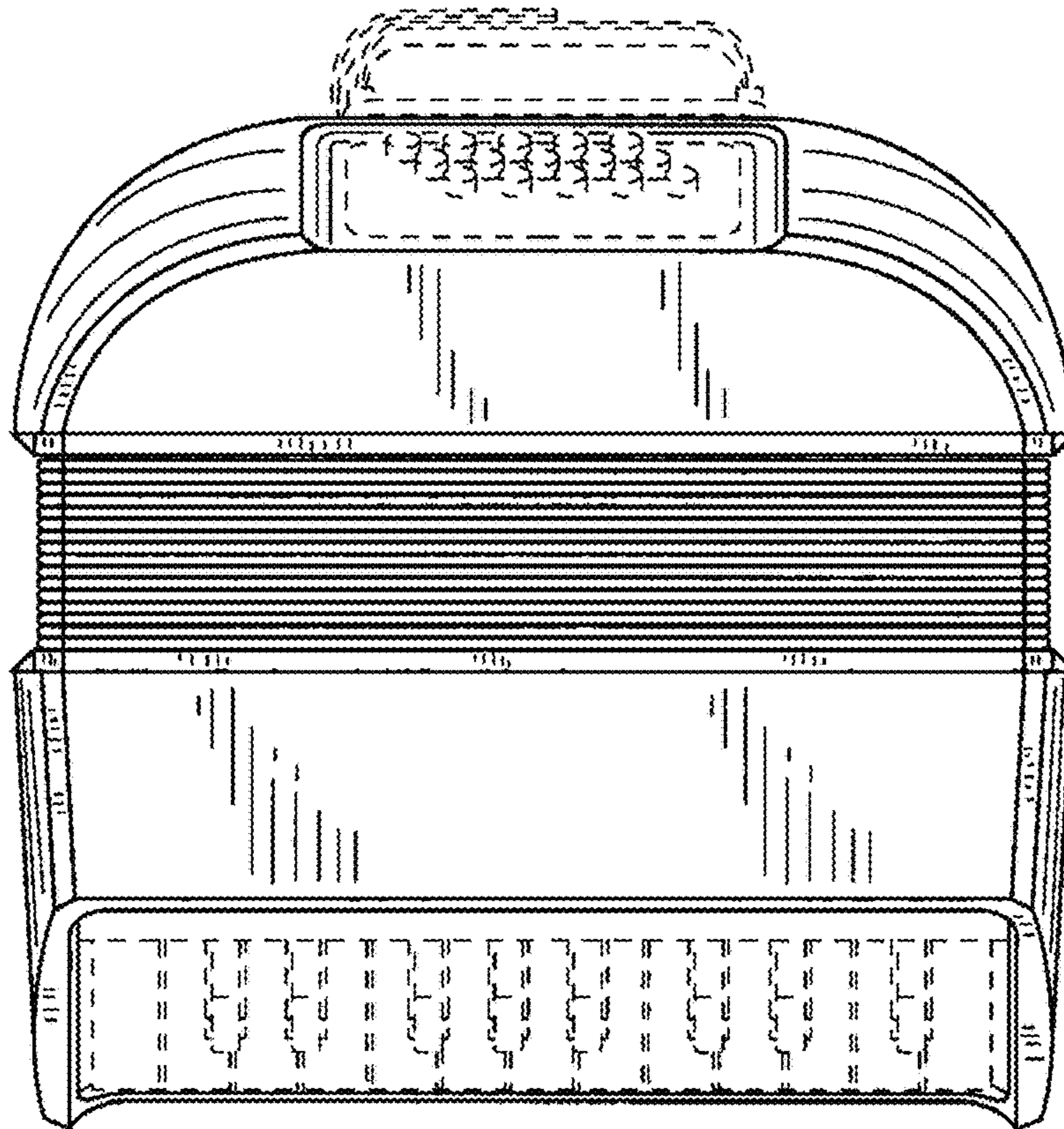


FIG.6

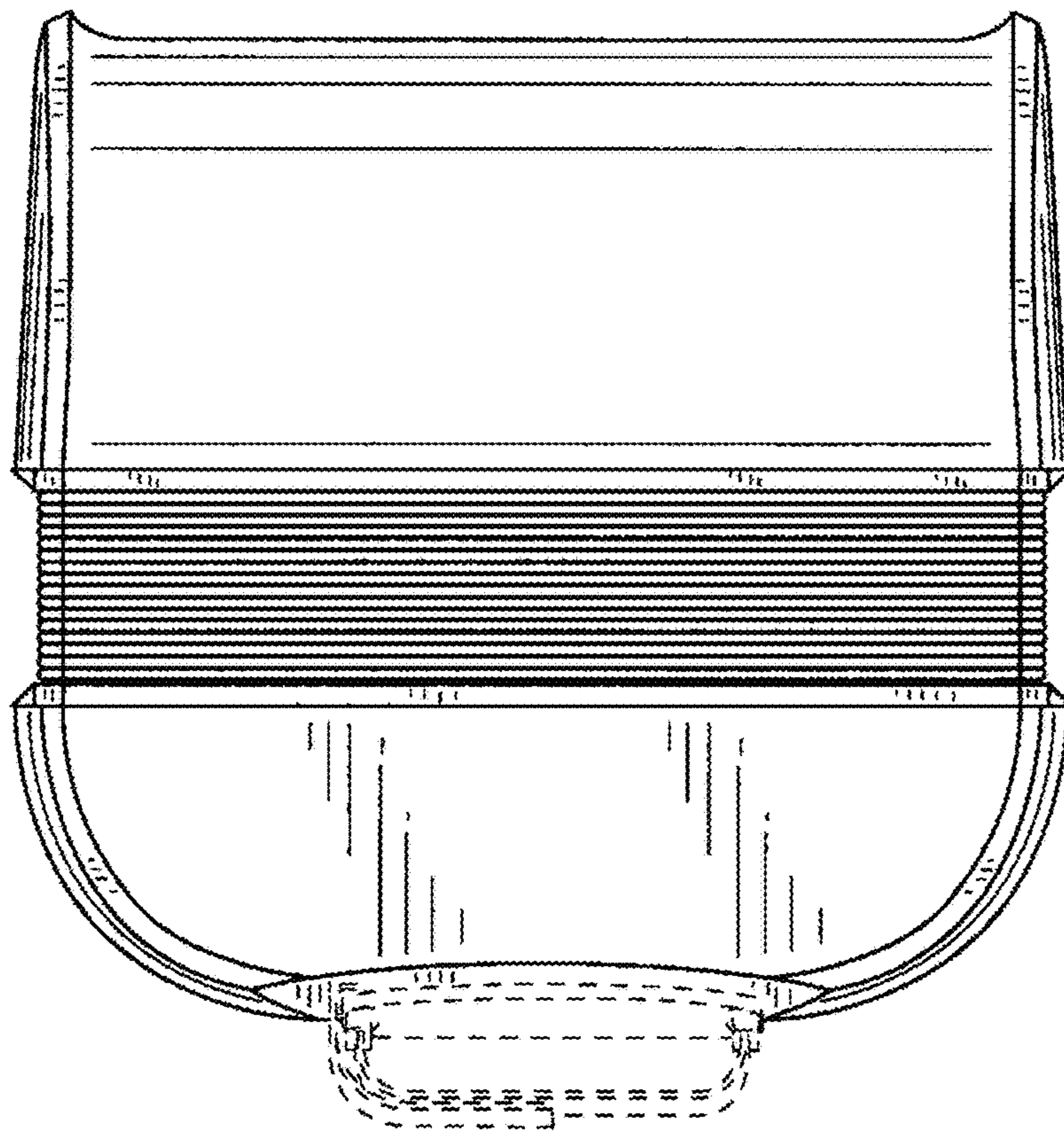


FIG.7