

US00D861773S

(12) **United States Design Patent** (10) **Patent No.:** **US D861,773 S**  
**Seo et al.** (45) **Date of Patent:** **\*\* Oct. 1, 2019**

(54) **PROTECTIVE GOGGLE** 2008/0276356 A1\* 11/2008 Lee ..... A61F 9/028  
2/436  
(71) Applicant: **SERVORE CO., LTD.**, Gyeonggi-do 2012/0204303 A1\* 8/2012 Seo ..... A61F 9/023  
(KR) 2/12  
2014/0259252 A1\* 9/2014 Seo ..... A61F 9/022  
2/8.2

(72) Inventors: **Woon Su Seo**, Gyeonggi-do (KR);  
**Jeong Min Seo**, Gyeonggi-do (KR)

(73) Assignee: **SERVORE CO., LTD.**, Gyeonggi-Do  
(KR)

(\*\*) Term: **15 Years**

(21) Appl. No.: **29/625,306**

(22) Filed: **Nov. 8, 2017**

(51) **LOC (12) Cl.** ..... **16-06**

(52) **U.S. Cl.**  
USPC ..... **D16/313**

(58) **Field of Classification Search**  
USPC ..... D16/300, 313, 314, 321  
CPC ..... A61F 9/02; G02C 7/02  
See application file for complete search history.

(56) **References Cited**

**U.S. PATENT DOCUMENTS**

D138,545 S *	8/1944	Splaine .....	D16/312
D347,233 S *	5/1994	Hewitt .....	D16/313
D478,111 S *	8/2003	Huh .....	D16/312
D503,422 S *	3/2005	Canavan .....	D16/101
D542,326 S *	5/2007	Chiang .....	D16/311
D543,571 S *	5/2007	Love .....	D16/312
D549,265 S *	8/2007	Saderholm .....	D16/312
D556,812 S *	12/2007	Wang-Lee .....	D16/312
D608,816 S *	1/2010	Wang-Lee .....	D16/312
D609,265 S *	2/2010	Wang-Lee .....	D16/312
D626,582 S *	11/2010	Cheng .....	D16/326
D697,546 S *	1/2014	Seo .....	D16/309
D751,718 S *	3/2016	Liu .....	D24/186
D760,313 S *	6/2016	Ho .....	D16/330

**OTHER PUBLICATIONS**

Miller Electric Welding Goggles, posted at amazon.com, posting date Mar. 4, 2015, [online], [site visited Nov. 26, 2018]. Available from Internet, URL: <https://www.amazon.com/dp/B00U9PPYH0/> (Year: 2015).\*

Miller Weld Mask 2 Auto-Darkening Goggles, posted at amazon.com, posting date Jun. 22, 2018, [online], [site visited Nov. 26, 2018]. Available from Internet, URL: <https://www.amazon.com/Miller-Weld-Mask-Auto-Darkening-Goggles/dp/B07DYCGSP4> (Year: 2018).\*

(Continued)

*Primary Examiner* — George D. Kirschbaum

*Assistant Examiner* — Maria J Edwards

(74) *Attorney, Agent, or Firm* — IPLA P.A.; James E. Bame

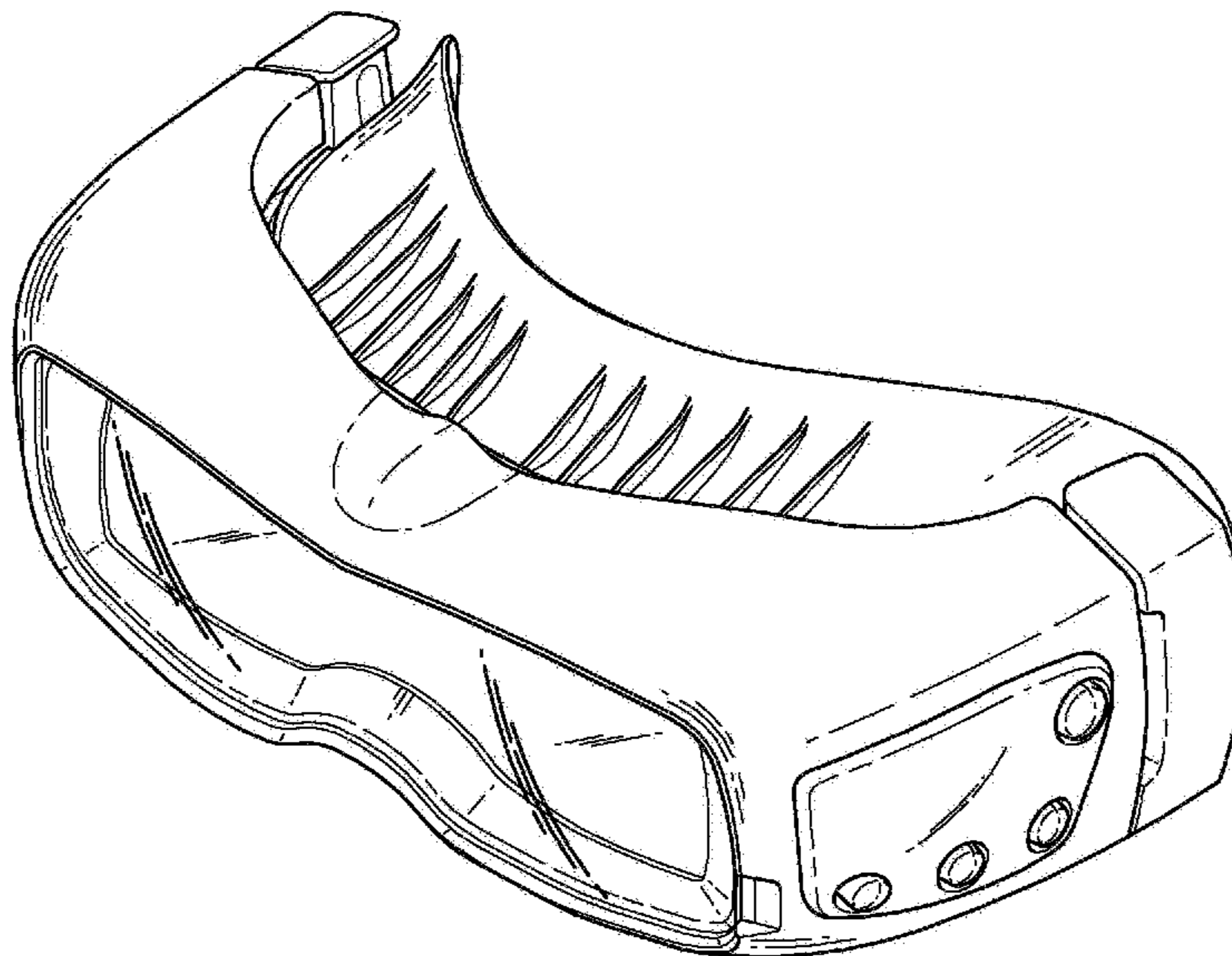
(57) **CLAIM**

The ornamental design for a protective goggle, as shown and described.

**DESCRIPTION**

FIG. 1 is a perspective view of my new design; FIG. 2 is a front elevational view thereof; FIG. 3 is a rear elevational view thereof; FIG. 4 is a left side elevational view thereof; FIG. 5 is a right side elevational view thereof; FIG. 6 is a top plan view thereof; and, FIG. 7 is a bottom plan view thereof. The broken lines in FIG. 3 and FIG. 7 illustrate portions of the protective goggle and form no part of the claimed design.

**1 Claim, 4 Drawing Sheets**



(56)

**References Cited**

OTHER PUBLICATIONS

Servore Arcshield-2 Welding Goggle, posted at amazon.com, posting date Mar. 4, 2015, [online], [site visited Mar. 21, 2018]. Available from Internet, URL: <https://www.amazon.com/Servore-Arcshield-2-Welding-Goggle-Cutting/dp/B07BVRN3HR> (Year: 2015).\*

Servore Auto Shade Darkening Welding Goggle Arc-513, posted at amazon.com, posting date Jun. 13, 2014, [online], [site visited Nov. 26, 2018]. Available from Internet, URL: <https://www.amazon.com/Servore-Darkening-Welding-Goggle-Arc-513/dp/B00KYR7E6C/> (Year: 2014).\*

\* cited by examiner

FIG. 1

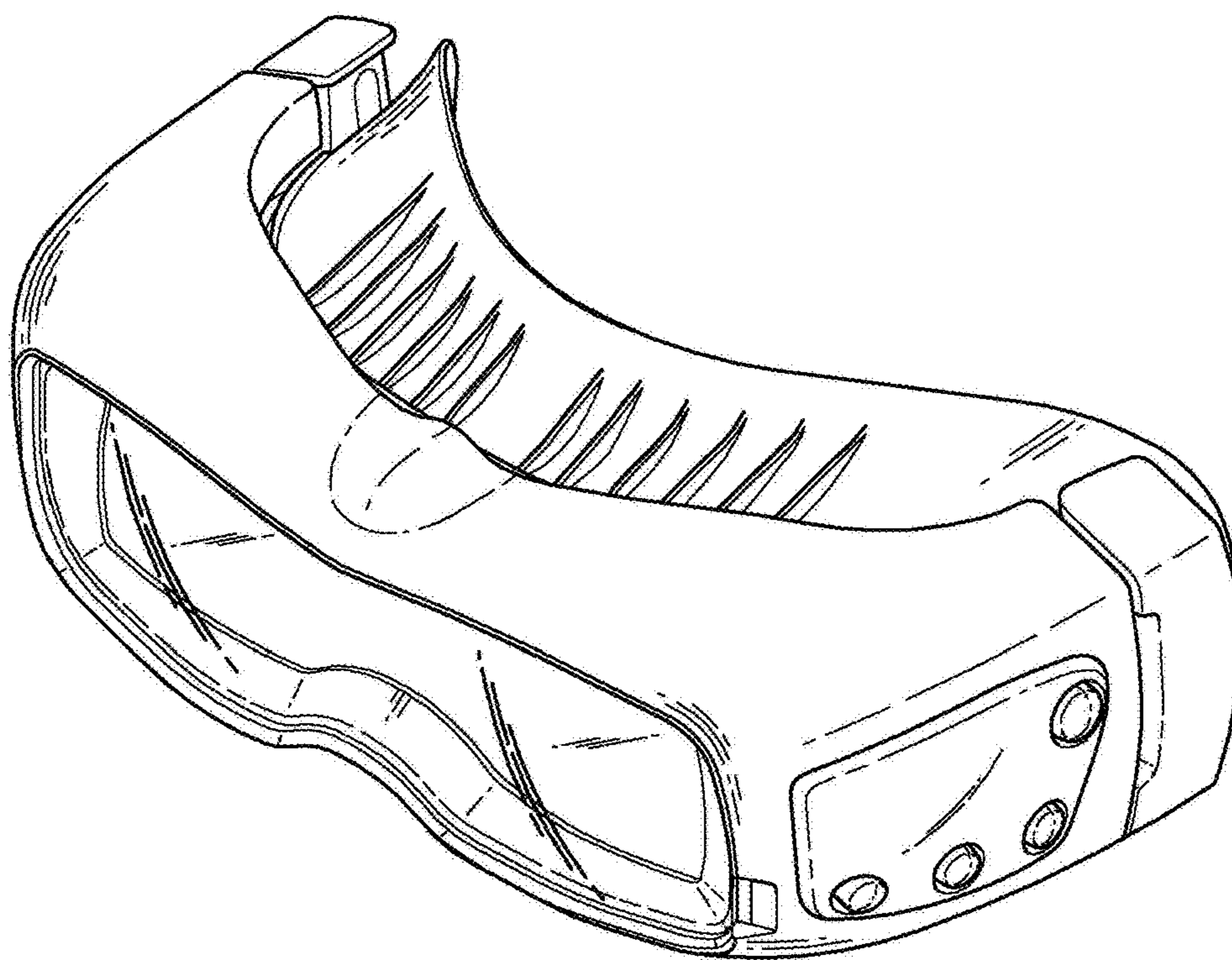


FIG. 2

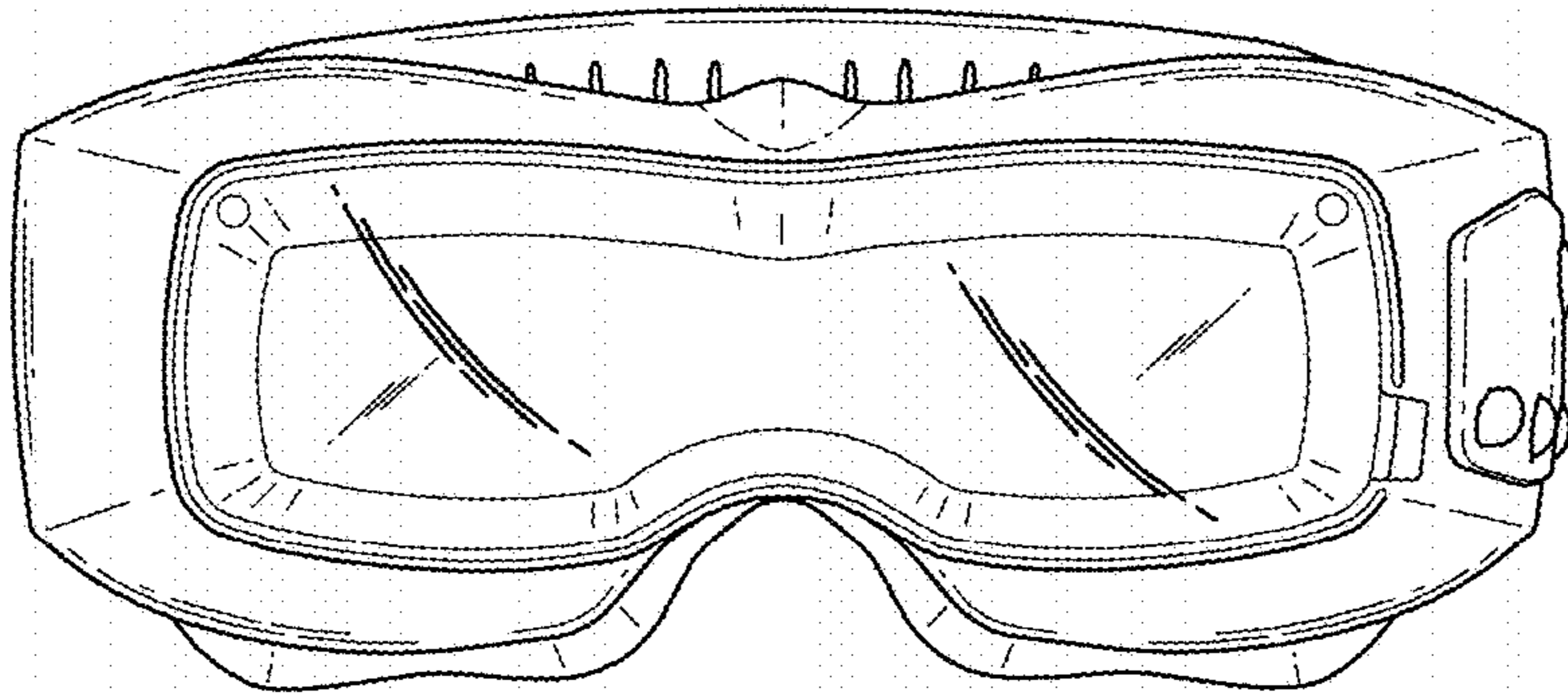


FIG. 3

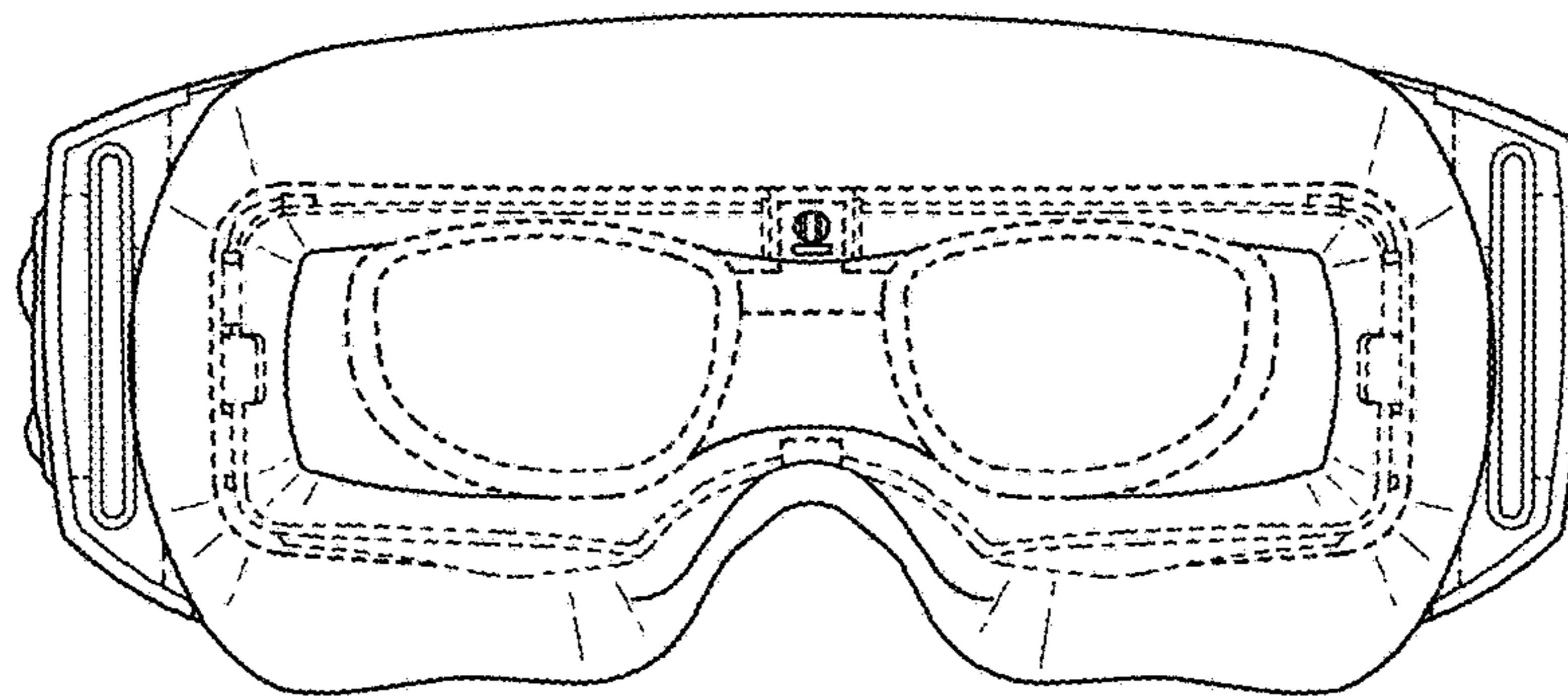


FIG. 4

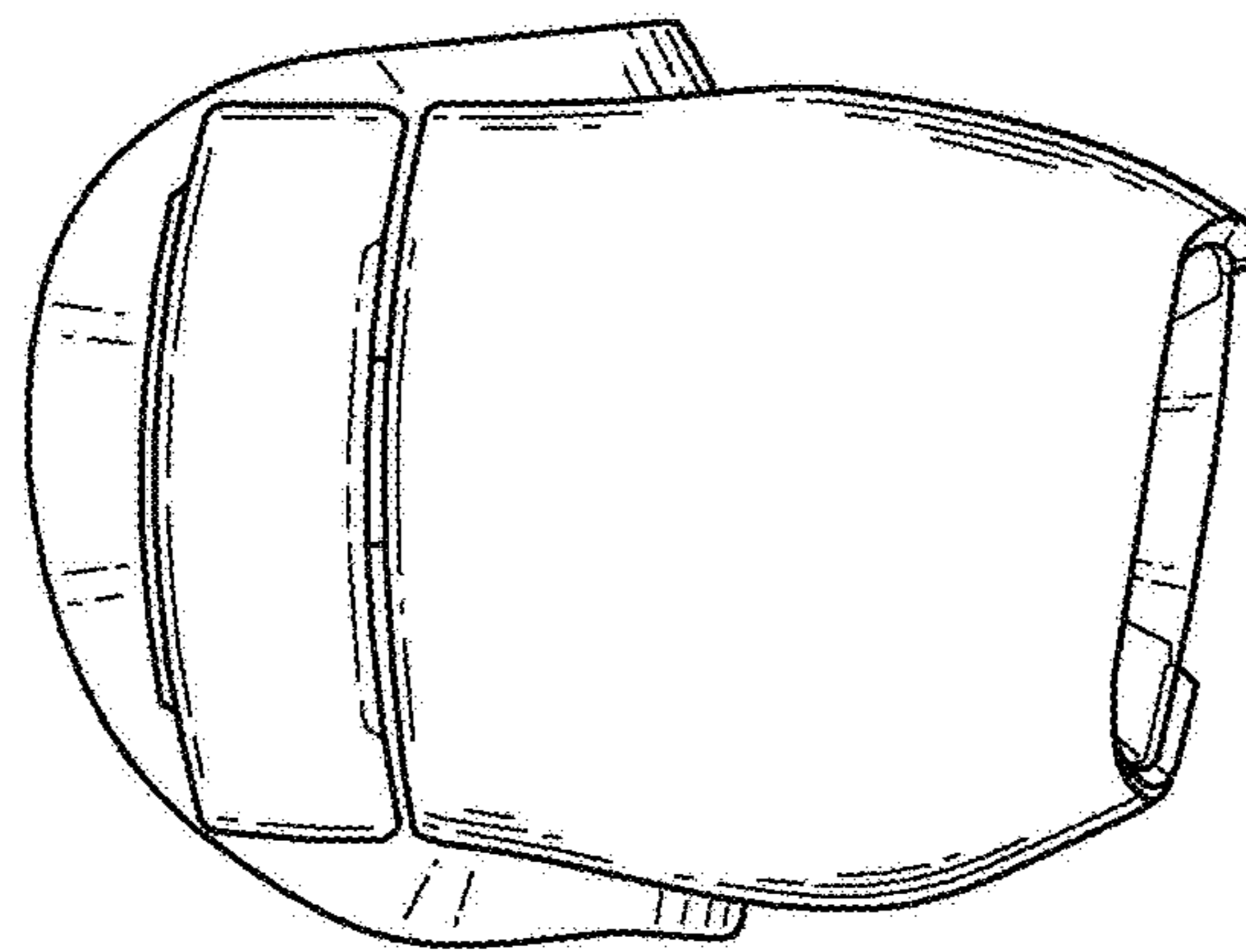


FIG. 5

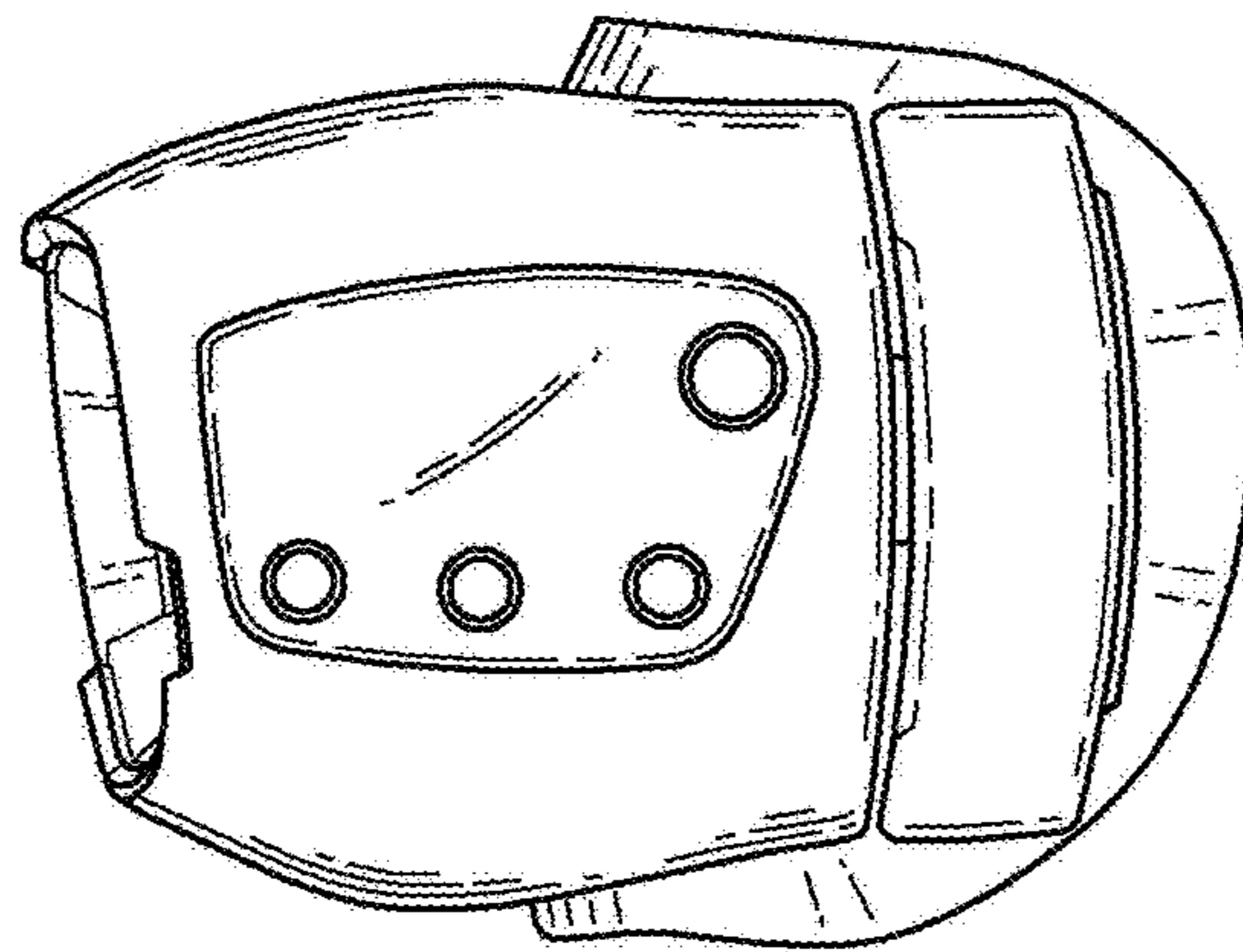


FIG. 6

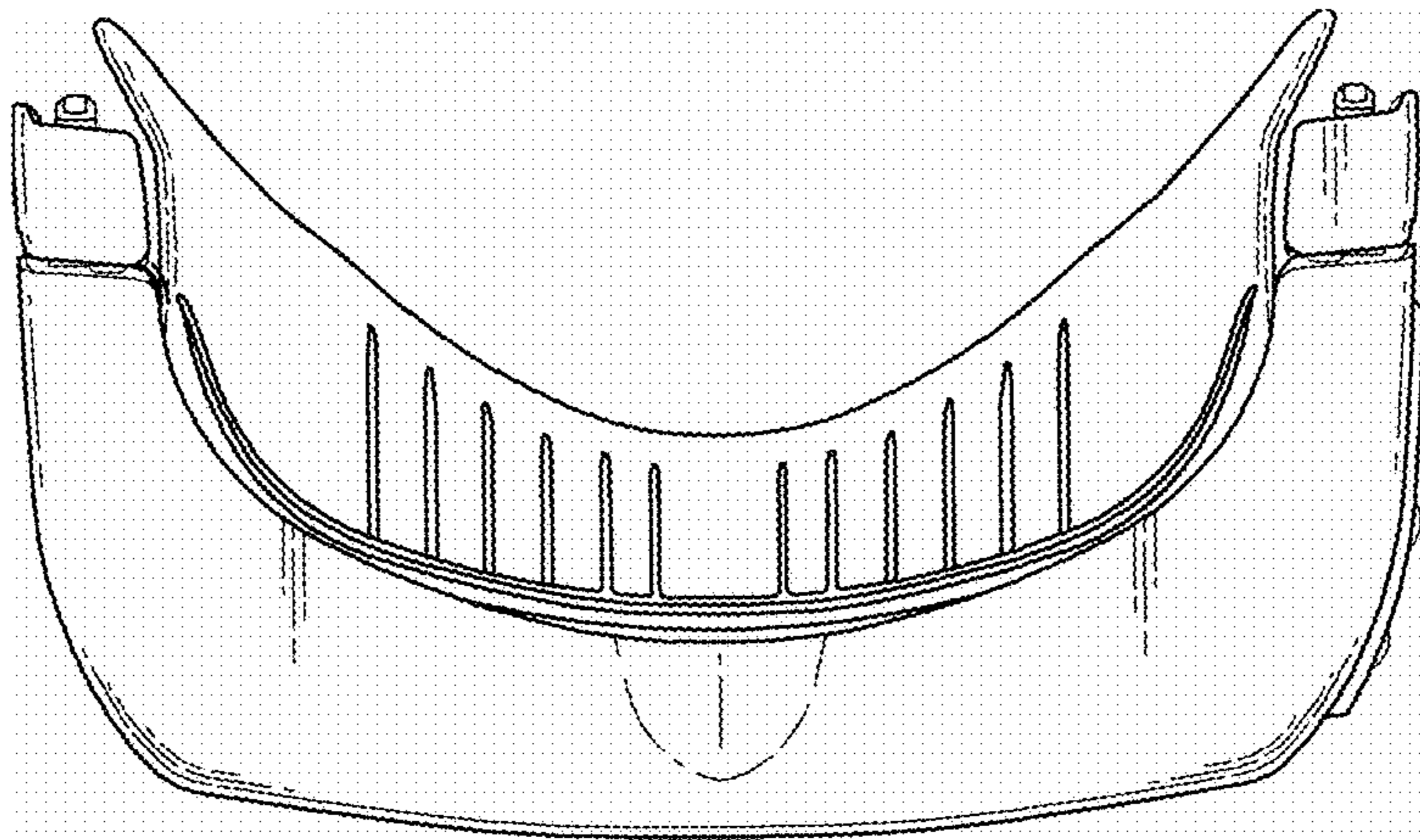


FIG. 7

