



US00D861770S

(12) **United States Design Patent** (10) **Patent No.:** **US D861,770 S**
Harrison et al. (45) **Date of Patent:** **** Oct. 1, 2019**

- (54) **CAMERA MOUNT**
- (71) Applicant: **GoPro, Inc.**, San Mateo, CA (US)
- (72) Inventors: **Ryan Harrison**, Walpole, NH (US);
Ross Thayer, San Jose, CA (US);
Arthur Kwun, Newark, CA (US);
Mark Costa, Menlo Park, CA (US)
- (73) Assignee: **GoPro, Inc.**, San Mateo, CA (US)
- (**) Term: **15 Years**
- (21) Appl. No.: **29/665,322**
- (22) Filed: **Oct. 2, 2018**

D372,189 S 7/1996 Andis
 D373,947 S 9/1996 Parduhn
 D395,996 S 7/1998 Fischer
 D399,230 S 10/1998 Tenne
 (Continued)

FOREIGN PATENT DOCUMENTS

EP 0845399 A2 6/1998

OTHER PUBLICATIONS

GoPro, Inc., 'Grab Bag of Mounts,' 2014, 2 Pages, [online][Archived on webarhive.org on Mar. 29, 2014][Retrieved on Aug. 31, 2015] Retrieved from the internet <URL:https://web.archive.org/web/20140329112413/http://gopro.com/camera-mounts/grab-bag-of-mounts#features>. 2 pages.

(Continued)

Primary Examiner — Vy N Koenig
 (74) *Attorney, Agent, or Firm* — Young Basile Hanlon & MacFarlane, P.C.

Related U.S. Application Data

- (63) Continuation of application No. 29/610,474, filed on Jul. 12, 2017, now Pat. No. Des. 829,809, which is a continuation of application No. 29/561,955, filed on Apr. 21, 2016, now Pat. No. Des. 800,205, which is a continuation of application No. 29/525,956, filed on May 5, 2015, now Pat. No. Des. 757,842.
- (51) **LOC (12) Cl.** **16-05**
- (52) **U.S. Cl.**
USPC **D16/245**
- (58) **Field of Classification Search**
USPC D16/219, 237–250; D8/354, 355, 363,
D8/373, 382–383, 394–396; D14/224,
D14/229, 238, 251, 447, 451, 457
CPC F16M 11/06–10; F16M 11/14; G02B
7/00–002; G03N 17/56; G03N
17/561–568; H04N 5/2253–2254; A45F
2200/0508–0533; A45F 5/00; A45F 5/10
See application file for complete search history.

(57) **CLAIM**

The ornamental design for a camera mount, as shown and described.

DESCRIPTION

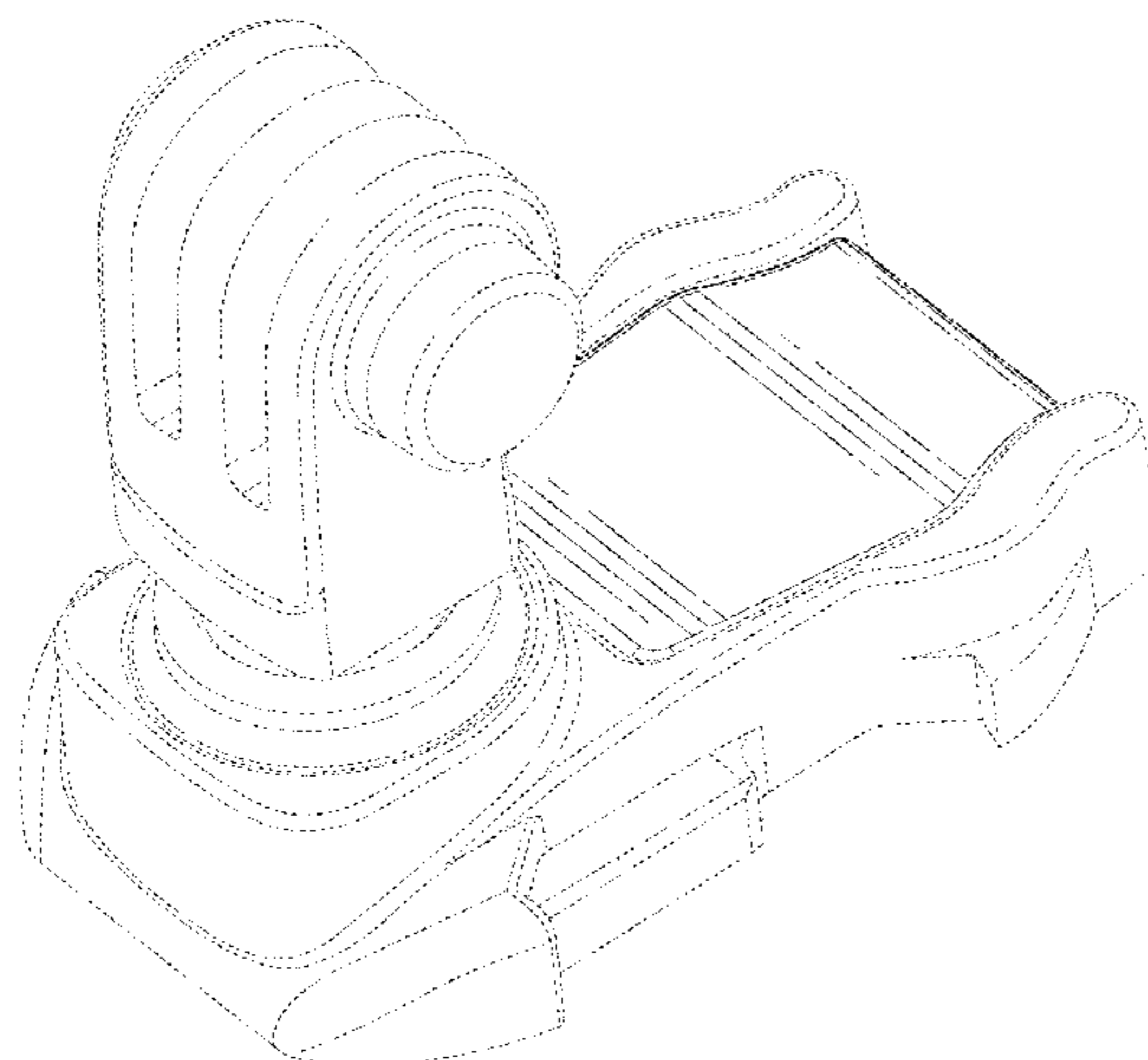
FIG. 1 is a front, top, and right side perspective view of a camera mount;
 FIG. 2 is a rear, bottom, and left side perspective view thereof;
 FIG. 3 is a front elevational view thereof;
 FIG. 4 is a rear elevational view thereof;
 FIG. 5 is a left side elevational view thereof;
 FIG. 6 is a right side elevational view thereof;
 FIG. 7 is a top plan view thereof; and,
 FIG. 8 is a bottom plan view thereof.
 The broken lines in the drawings are included for the purpose of illustrating environmental structure and form no part of the claimed design.

(56) **References Cited**

U.S. PATENT DOCUMENTS

D209,013 S 10/1967 McElroy
 D366,887 S 2/1996 Wood

1 Claim, 8 Drawing Sheets



(56)

References Cited

U.S. PATENT DOCUMENTS

5,842,069 A 11/1998 Konno
 5,887,375 A 3/1999 Watson
 6,315,180 B1 11/2001 Watkins
 6,654,235 B2 11/2003 Imsand
 D483,789 S 12/2003 Dordick
 D506,493 S 6/2005 Naito
 D602,974 S 10/2009 Zen
 D616,286 S 5/2010 Foresman
 D631,081 S 1/2011 Richter
 D635,445 S 4/2011 Foresman
 8,014,656 B2 9/2011 Woodman
 D649,576 S 11/2011 Jannard
 8,199,251 B2 6/2012 Woodman
 8,325,270 B2 12/2012 Woodman
 D675,661 S 2/2013 Jannard
 D710,927 S 8/2014 Eynav
 D717,360 S 11/2014 Chun
 D722,864 S 2/2015 Greenthal
 D722,865 S 2/2015 Greenthal
 9,004,783 B1 4/2015 Woodman
 9,033,596 B2 5/2015 Samuels
 D757,842 S 5/2016 Harrison
 D758,473 S 6/2016 Costa
 D759,147 S 6/2016 Harrison
 9,426,341 B1 8/2016 Baldrige
 D776,745 S * 1/2017 Bennett D16/242
 D776,746 S 1/2017 Bennett
 9,554,639 B1 1/2017 Harden
 D780,827 S 3/2017 Costa
 9,588,407 B1 3/2017 Harrison
 9,596,926 B1 3/2017 Volmer
 D789,177 S * 6/2017 Carnevali D8/354
 D789,178 S 6/2017 Carnevali

D800,204 S 10/2017 Harrison
 D800,205 S 10/2017 Harrison
 D800,822 S 10/2017 Costa
 D814,266 S 4/2018 Carnevali
 D814,549 S 4/2018 Carnevali
 D829,809 S * 10/2018 Harrison D16/245
 D841,722 S * 2/2019 Bergman D16/242
 2013/0107111 A1 5/2013 Campbell
 2014/0027591 A1 1/2014 Fountain
 2015/0316205 A1 11/2015 Bennett
 2017/0108759 A1 4/2017 Clearman
 2017/0108760 A1 4/2017 Achenbach

OTHER PUBLICATIONS

GoPro Head Strap+QuickClip Kopfbandhalterung. [online] Retrieved May 16, 2017 from URL: <<https://www.bikecomponents.de/en/GoPro/HeadStrapQuickClipKopfbandhalterungp37358/>> 2 pages.
 Polaroid 2x Vertical Surface J-hook Buckle Mount for GoPro HER04, 3+ and 3 Cameras, [online] Retrieved May 16, 2017 from URL: <<https://www.adorama.com/ipdgp2jhb.html>> 4 pages.
 Polaroid Quick Release Buckle Mount for GoPro HER04, 3+ and 3 Cameras, 2 Pack, [online] Retrieved May 16, 2017 from URL: <<https://www.adorama.com/ipdgp2bm.html?gclid=CNnnhIHc9NMCFRGHswodKWQCeg>> 4 pages.
 Session Quick Release Buckle. [online] Published on Jan. 8, 2017. Retrieved Apr. 24, 2018 from URL: <http://wetgill.com/?p=Product&id=703>, 2 pages.
 J-Hook Buckle Mount Quick Release Buckle 360° Rotation. [online] Published Apr. 17, 2014. Retrieved Apr. 24, 2018 from URL: https://www.miniinthebox.com/p/telesin-360-degree-rotary-j-shape-fast-assembling-mount-buckle-for-gopro-hd-hero-2-3-3_p1278233.html, 8 pages.

* cited by examiner

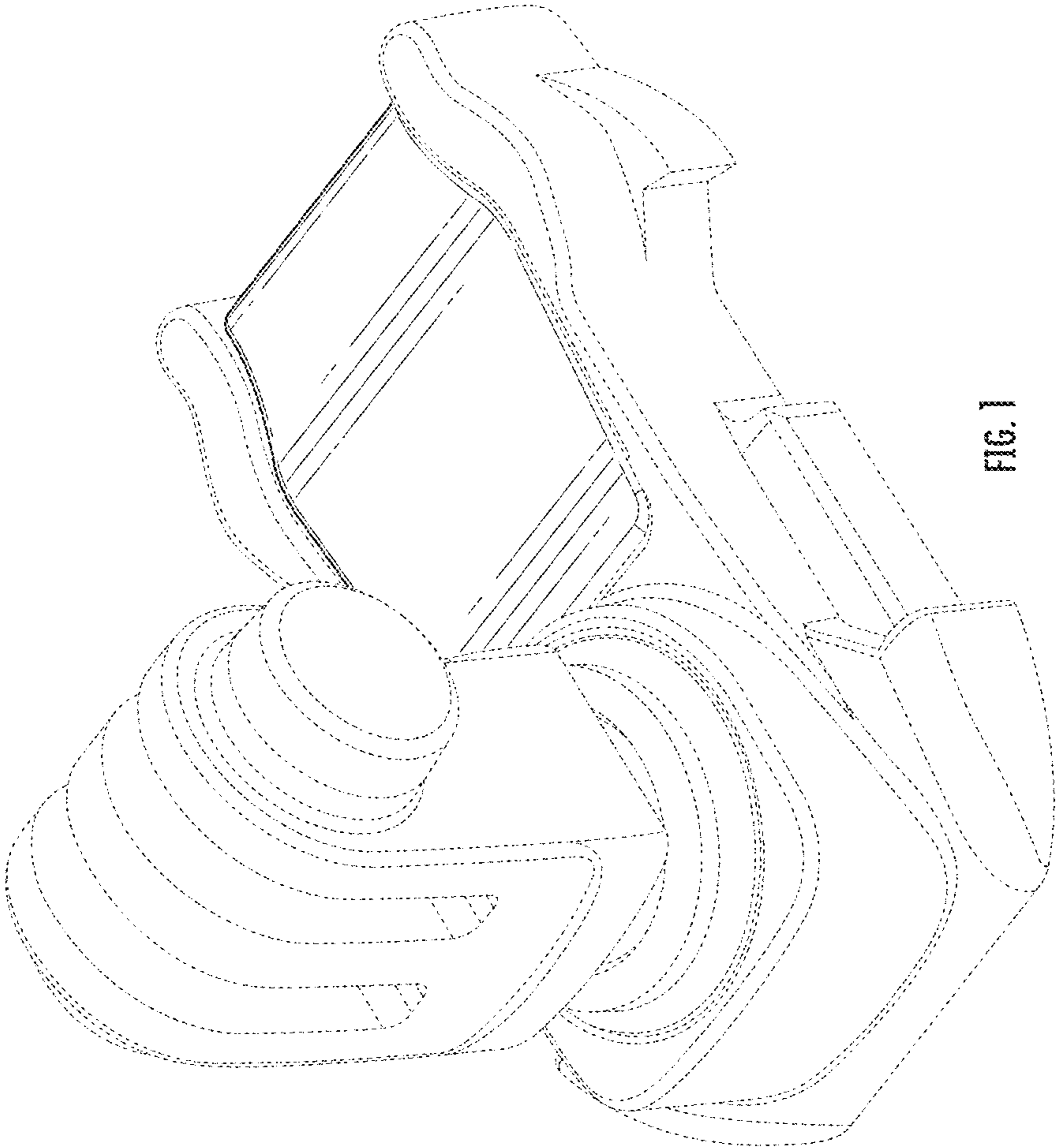


FIG. 1

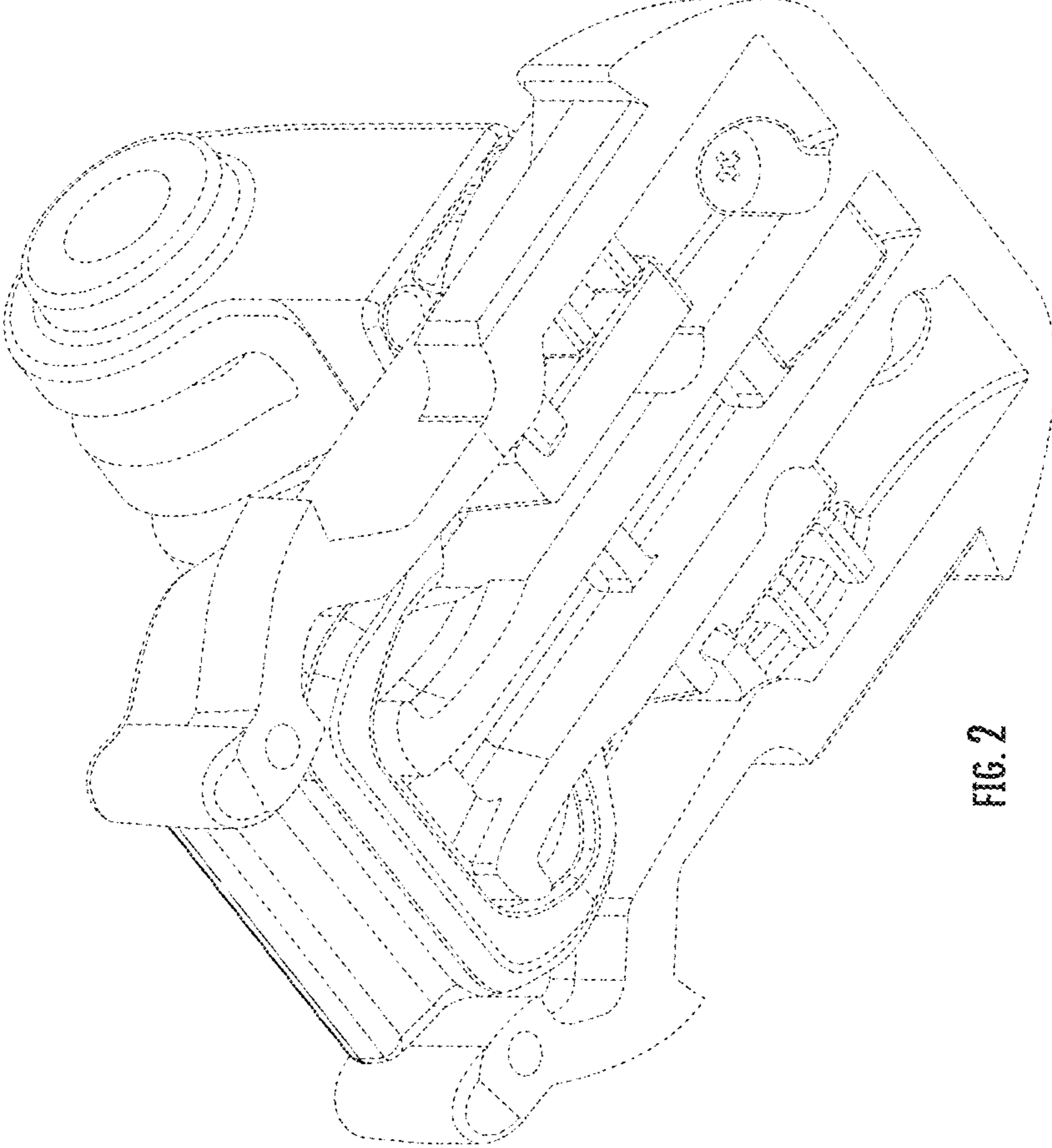


FIG. 2

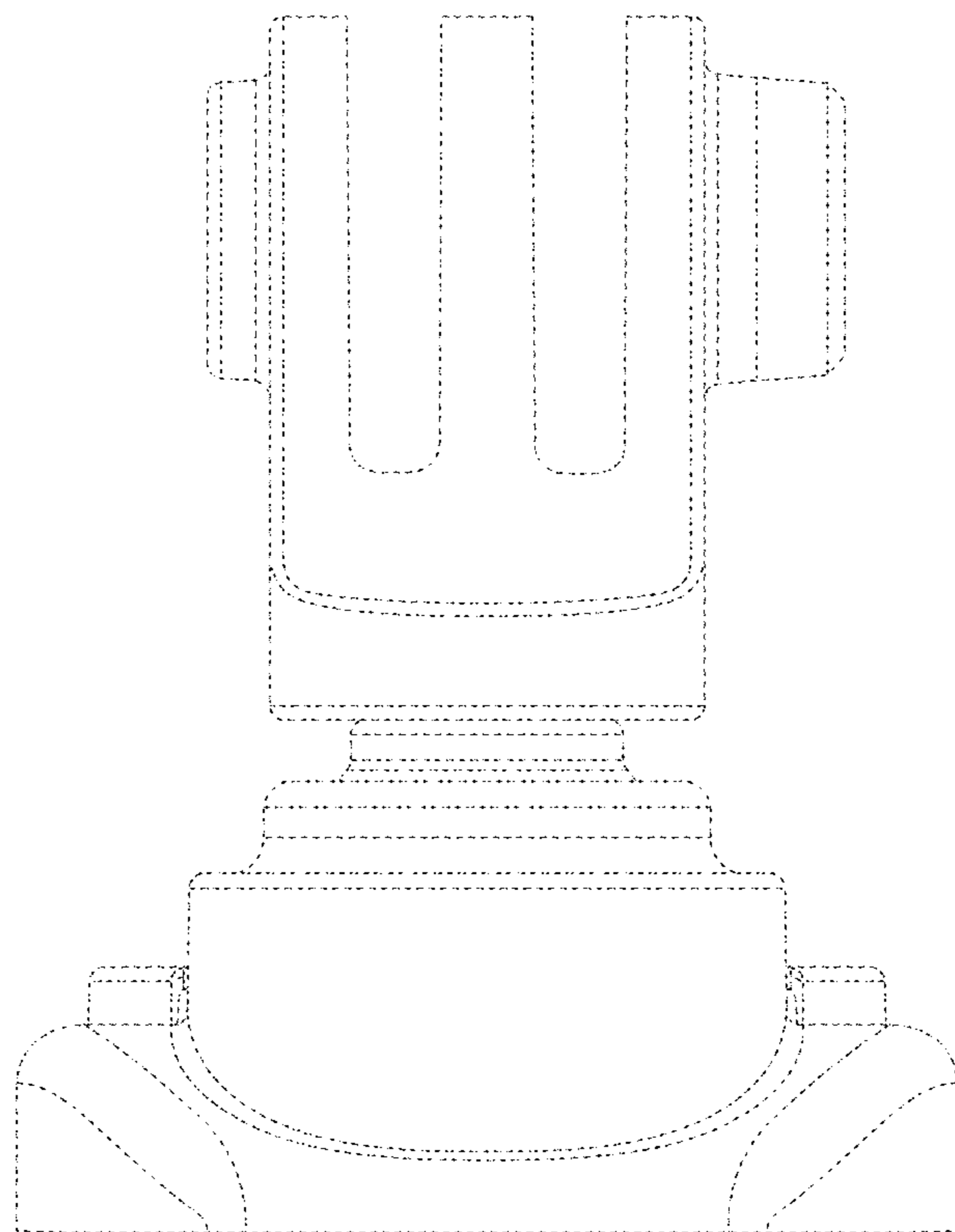


FIG. 3

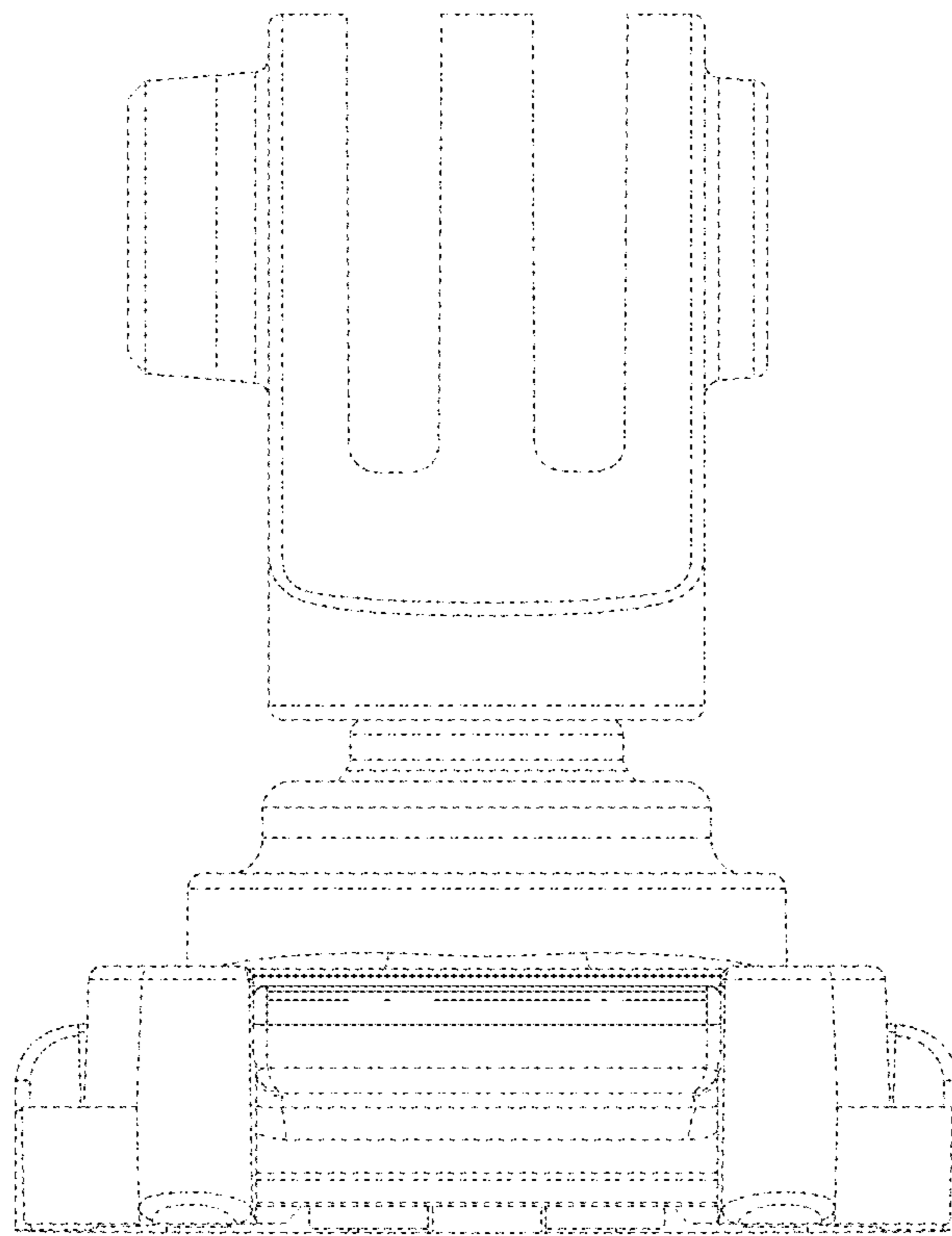


FIG. 4

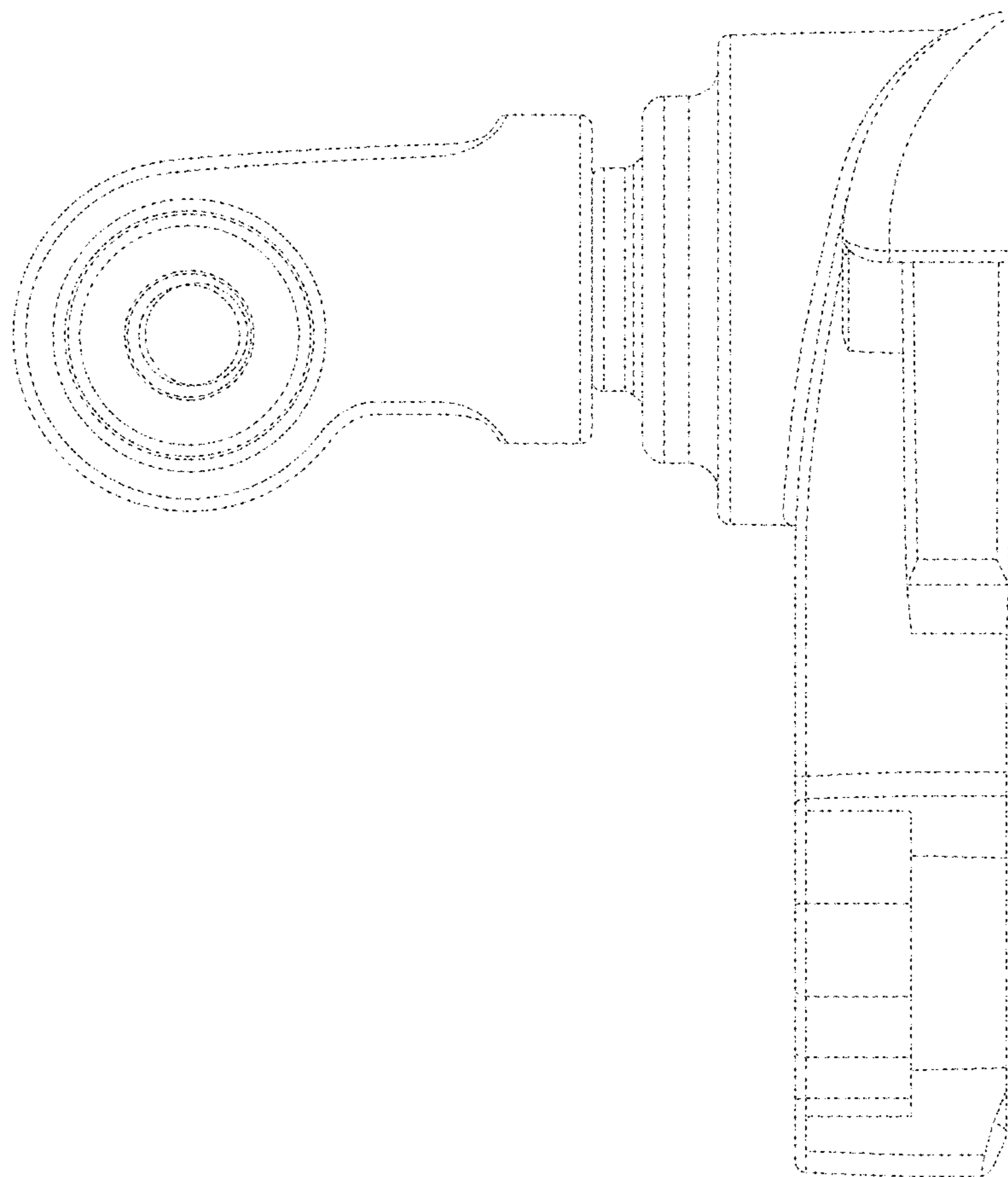


FIG. 5

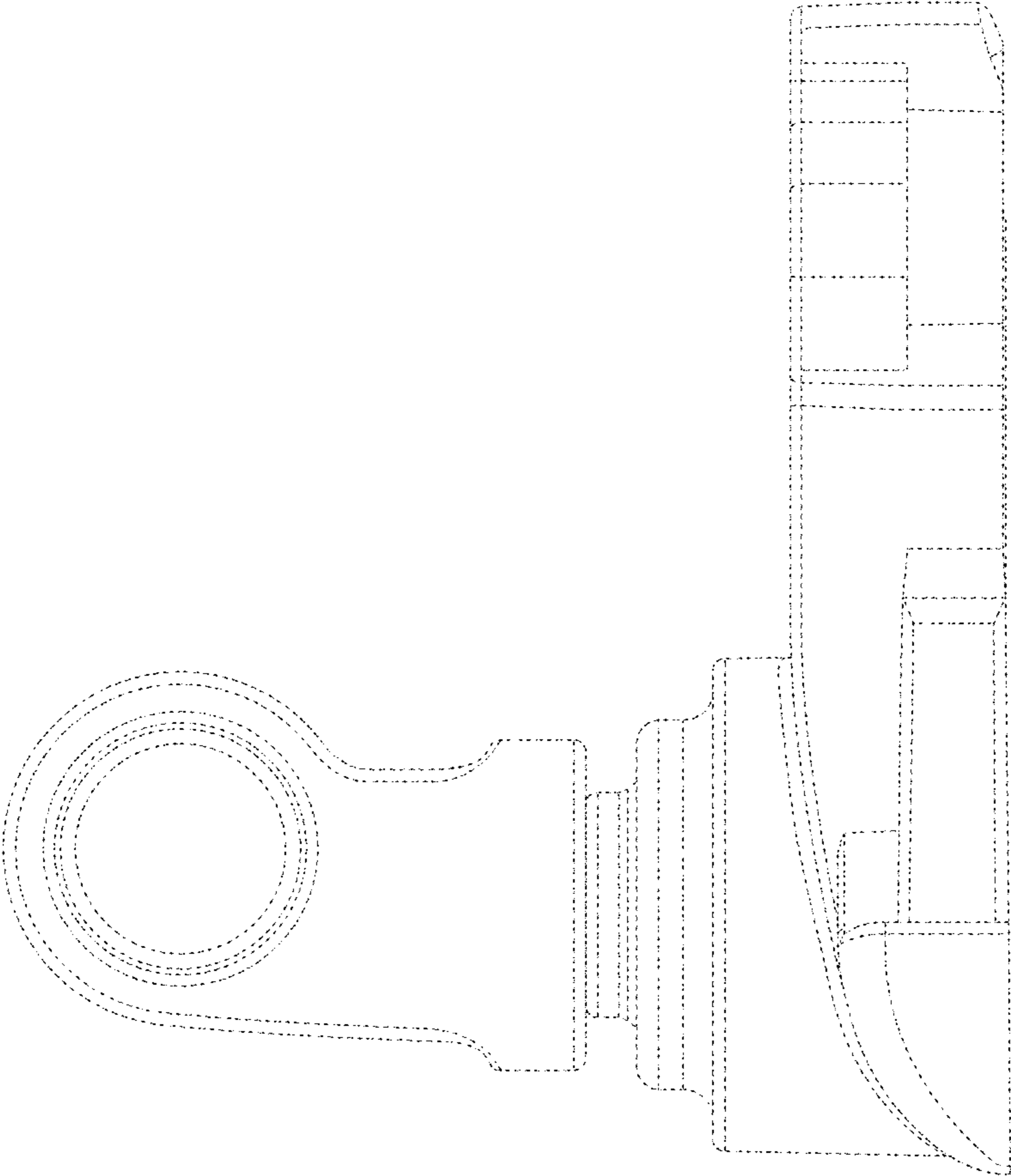


FIG. 6

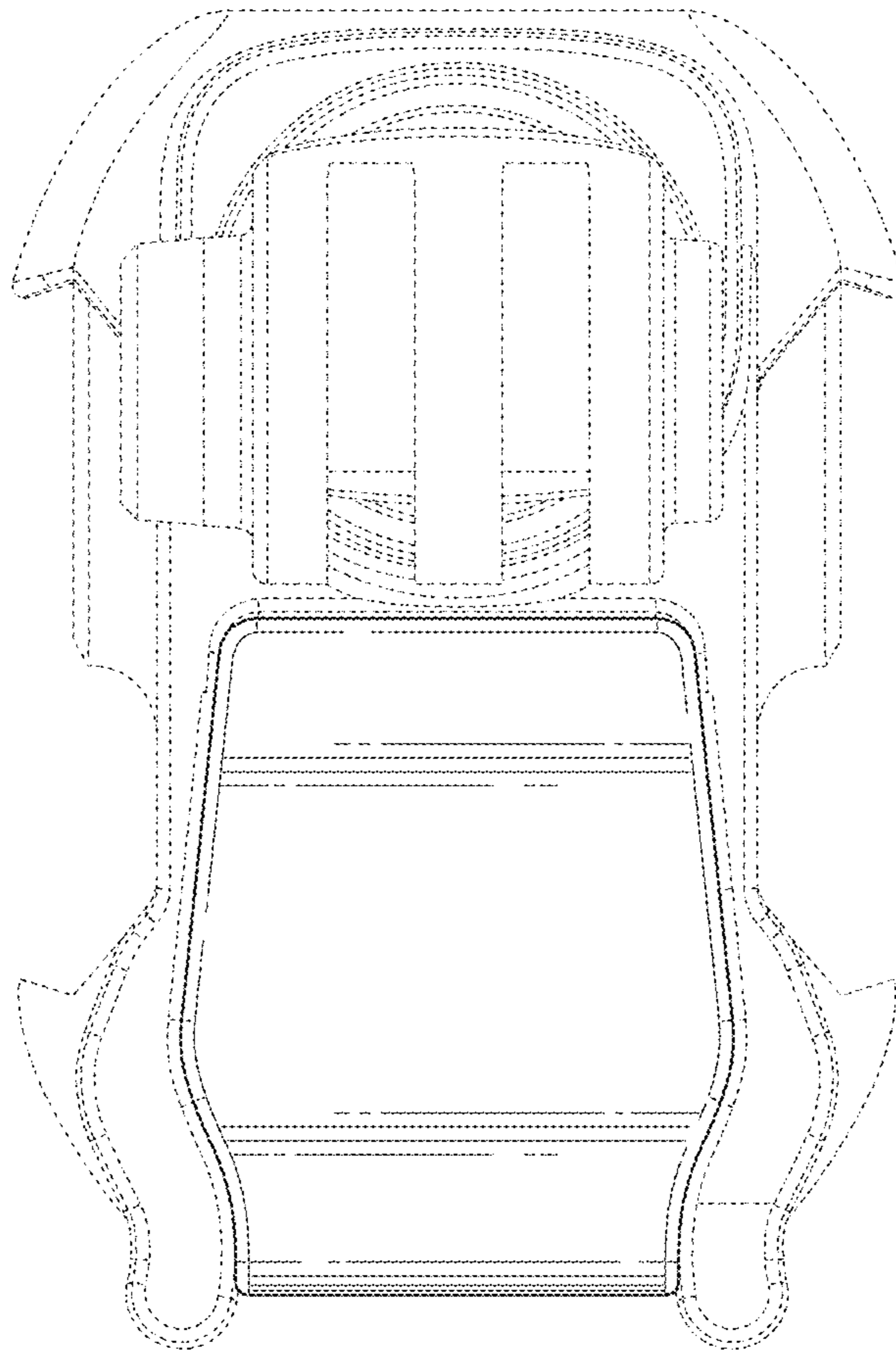


FIG. 7

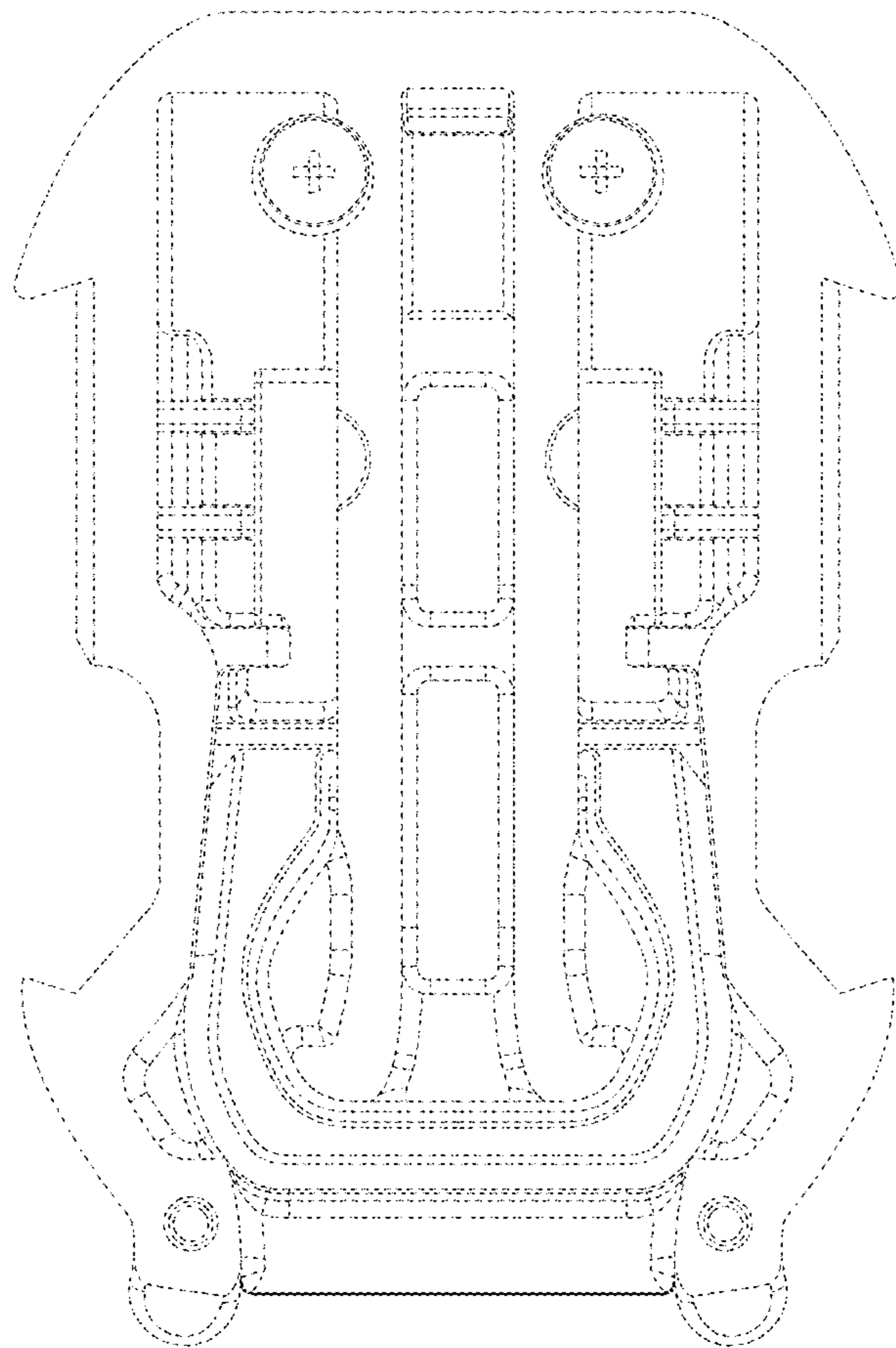


FIG. 8