



US00D861769S

(12) **United States Design Patent** (10) **Patent No.:** **US D861,769 S**
Paterson et al. (45) **Date of Patent:** **** Oct. 1, 2019**

(54) **CAMERA POLE MOUNT**

(71) Applicant: **GoPro, Inc.**, San Mateo, CA (US)

(72) Inventors: **Michael Paterson**, San Francisco, CA (US); **Huy Phuong Nguyen**, San Mateo, CA (US); **Ryan Harrison**, Walpole, NH (US)

(73) Assignee: **GoPro, Inc.**, San Mateo, CA (US)

(**) Term: **15 Years**

(21) Appl. No.: **29/634,872**

(22) Filed: **Jan. 25, 2018**

Related U.S. Application Data

(63) Continuation of application No. 29/566,371, filed on May 27, 2016, now Pat. No. Des. 812,126.

(51) **LOC (12) Cl.** **16-05**

(52) **U.S. Cl.**
USPC **D16/243**; D16/244

(58) **Field of Classification Search**
USPC D16/208, 213–219, 235, 237–250;
D14/217, 229, 250–253; D8/363, 373,
D8/394

CPC .. G03B 17/02–04; G03B 17/14; G03B 17/56;
G03B 17/561–568; G03B 21/20;

(Continued)

(56) **References Cited**

U.S. PATENT DOCUMENTS

D257,259 S * 10/1980 Shiraishi D16/244
D345,905 S * 4/1994 Hallgren D8/355
D625,573 S 10/2010 Bonzer

(Continued)

FOREIGN PATENT DOCUMENTS

CN 201830134136 * 4/2018
EM 0027157550002 6/2015
KR 3020150019676 * 4/2015

OTHER PUBLICATIONS

GoPro EI Grande 38in Extension Pole (GoPro Official Mount). Online, published date Apr. 5, 2017. Retrieved on Mar. 11, 2019 from <URL: <https://www.amazon.com/GoPro-Grande-Extension-Official-Mount/dp/B06XHJZLXG>>.*

(Continued)

Primary Examiner — Susan Bennett Hattan

Assistant Examiner — Omeed Agilee

(74) *Attorney, Agent, or Firm* — Young Basile Hanlon & MacFarlane, P.C.

(57) **CLAIM**

The ornamental design for a camera pole mount, as shown and described.

DESCRIPTION

FIG. 1 is a front, top, and right side perspective view of a camera pole mount;

FIG. 2 is a rear, bottom, and left side perspective view thereof;

FIG. 3 is a front elevational view thereof;

FIG. 4 is a rear elevational view thereof;

FIG. 5 is a left side elevational view thereof;

FIG. 6 is a right side elevational view thereof;

FIG. 7 is a top plan view thereof;

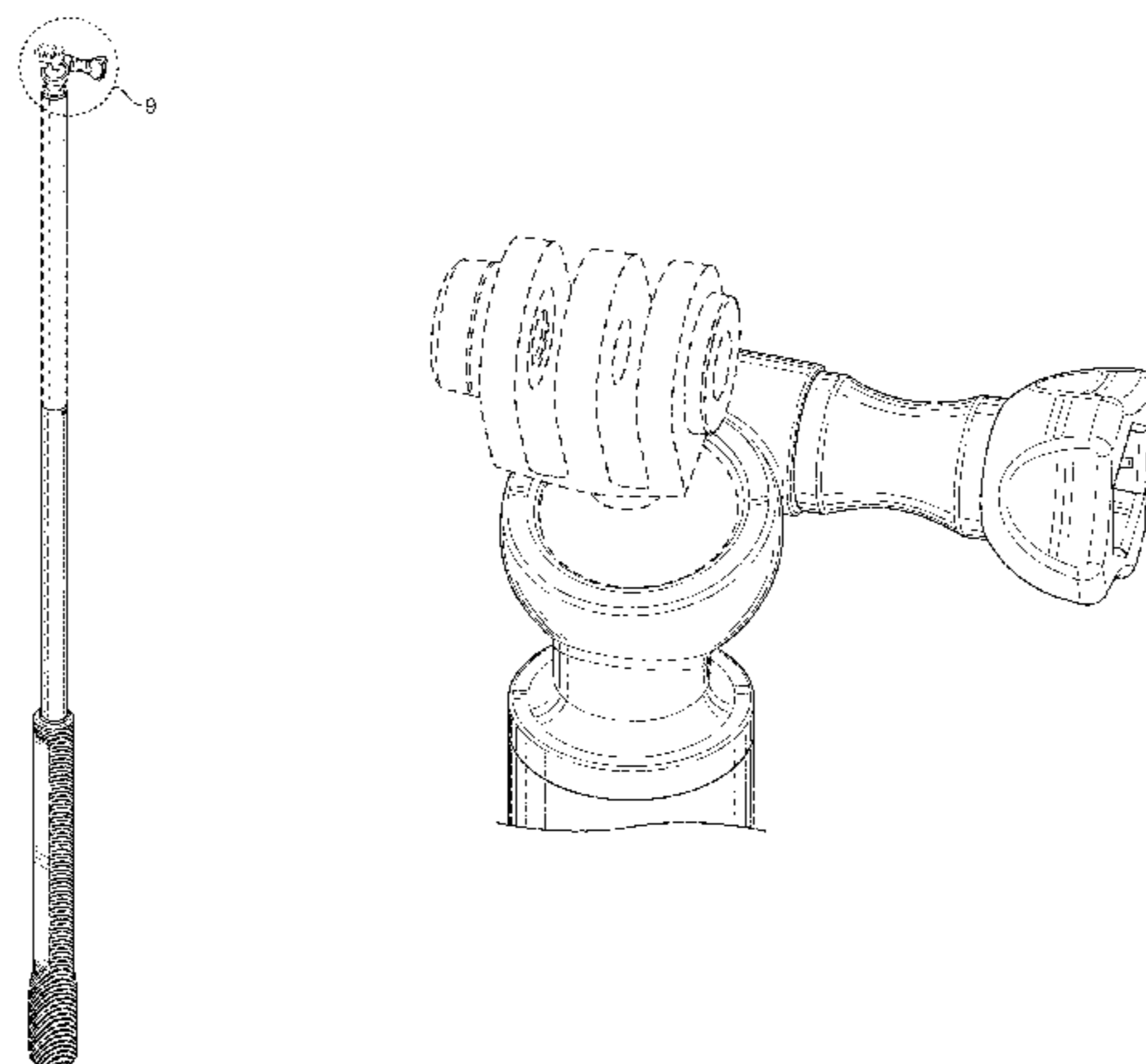
FIG. 8 is a bottom plan view thereof;

FIG. 9 is a front, top, and right side enlarged perspective view of the encircled area labeled “9” in FIG. 1; and,

FIG. 10 is a rear, bottom, and left side enlarged perspective view of the encircled area labeled “10” in FIG. 2.

The ornamental design which is claimed is shown in solid lines in the drawings. The broken lines in the drawings form no part of the claimed design. Broken lines formed by equal length dashes (i.e., dash-dash) show unclaimed portions of the design.

1 Claim, 10 Drawing Sheets



(58) **Field of Classification Search**
 CPC .. G02B 7/00-002; F16M 11/02; F16M 11/04;
 F16M 11/20; F16M 11/40
 See application file for complete search history.

(56) **References Cited**
 U.S. PATENT DOCUMENTS

D678,387	S	3/2013	Stump	
D730,429	S	5/2015	Anari	
9,170,473	B1 *	10/2015	Li	F16M 11/28
D746,353	S	12/2015	Woodman	
D747,399	S	1/2016	Stump	
D766,230	S	9/2016	Shepard	
D779,579	S	2/2017	Anari	
D780,247	S	2/2017	Anari	
D780,248	S	2/2017	Anari	
D783,701	S	4/2017	Anari	
D785,074	S *	4/2017	Woodman	D16/243
9,612,506	B1 *	4/2017	Webb	G03B 17/561
9,778,548	B2 *	10/2017	Achenbach	G03B 17/561
D803,932	S *	11/2017	Martin	D16/243
D806,780	S *	1/2018	Martin	D16/243
D812,126	S *	3/2018	Paterson	D16/243
D821,483	S *	6/2018	Vitale	D16/244
D824,882	S *	8/2018	Zheng	D14/217
2007/0053680	A1 *	3/2007	Fromm	F16M 11/14 396/420

2008/0117328	A1	5/2008	Daoud	
2013/0176412	A1	7/2013	Chen	
2015/0107055	A1 *	4/2015	Anari	G03B 17/00 16/422
2015/0108777	A1	4/2015	Anari	
2015/0316837	A1	11/2015	Maltese	
2016/0091139	A1	3/2016	Levine	
2017/0114945	A1 *	4/2017	Chen	F16M 11/26
2019/0003636	A1 *	1/2019	Wen	F16M 11/40

OTHER PUBLICATIONS

The Pole Handheld Extendable Camera Mount, [online] Published date unknown. Retrieved on Jun. 3, 2017 from <URL: https://www.bhphotovideo.com/c/product/994224-REG/platinum_pl_pole_the_pole_camera_mount.html> 1 page.

Telescoping Extendable Pole, [online] Published date unknown. Retrieved on Jun. 3, 2017 from <URL: http://www.ebay.com/itm/Telescoping-Extendable-Pole-Handheld-Tripod-Mount-Selfie-Stick-for-GoPro-Hero-4/401196974256?_trksid=p2047675.c100005.m1851&_trkparms=aid%3D222007%26algo%3DSIC.MBE%26ao%3D2%26asc%3D41375%26meid%3Dfc53b9f4b31d49c0a4c887bb430a3aff> 1 page.

El Grande (38in Extension Pole), [online] Published date unknown. Retrieved on Jul. 6, 2017 from <URL: <https://shop.gopro.com/mounts/el-grande-38in-extension-pole/AGXTS-001.html>> 1 page.

* cited by examiner

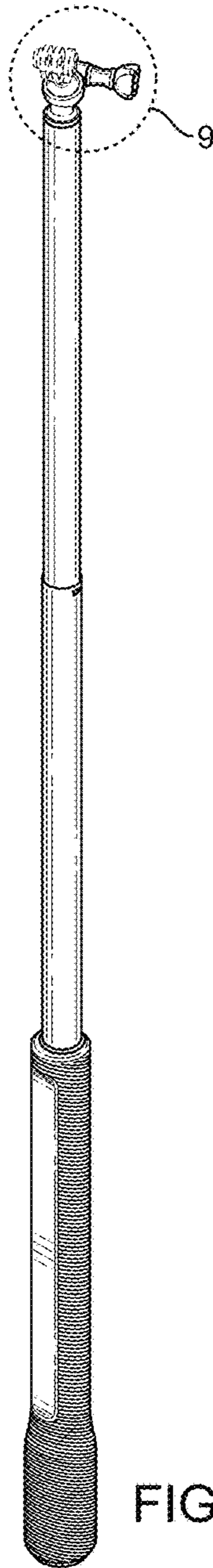


FIG. 1

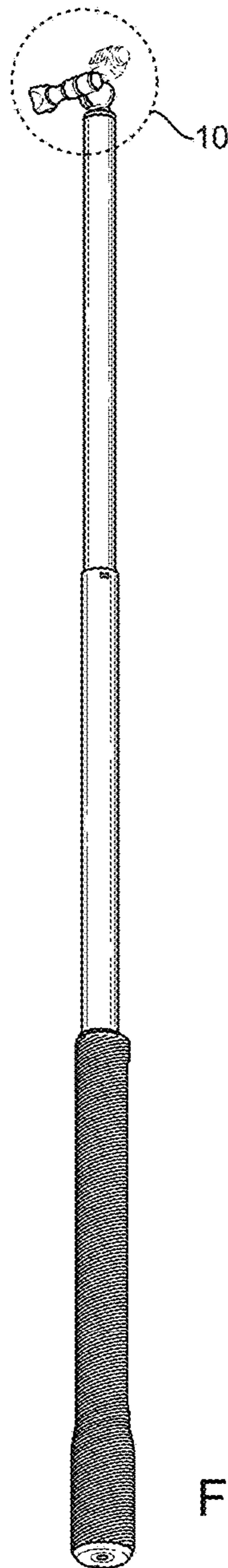


FIG. 2

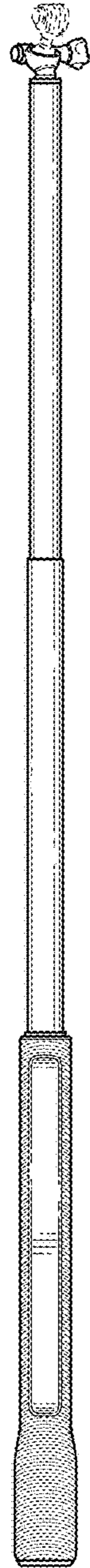


FIG. 3

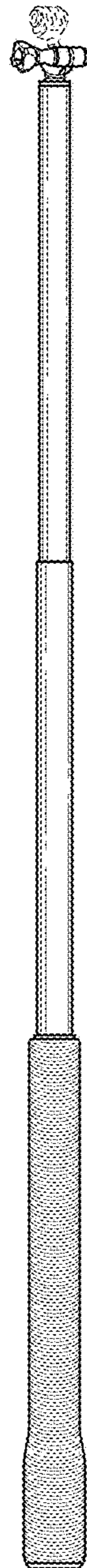


FIG. 4

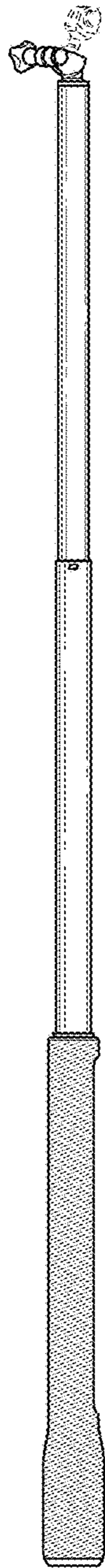


FIG. 5

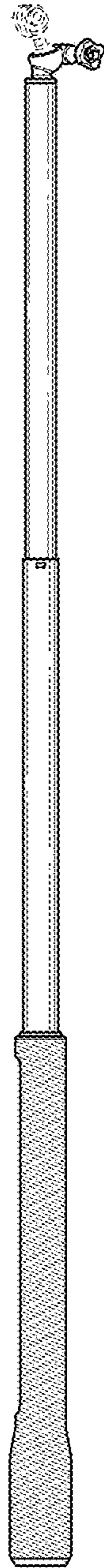


FIG. 6

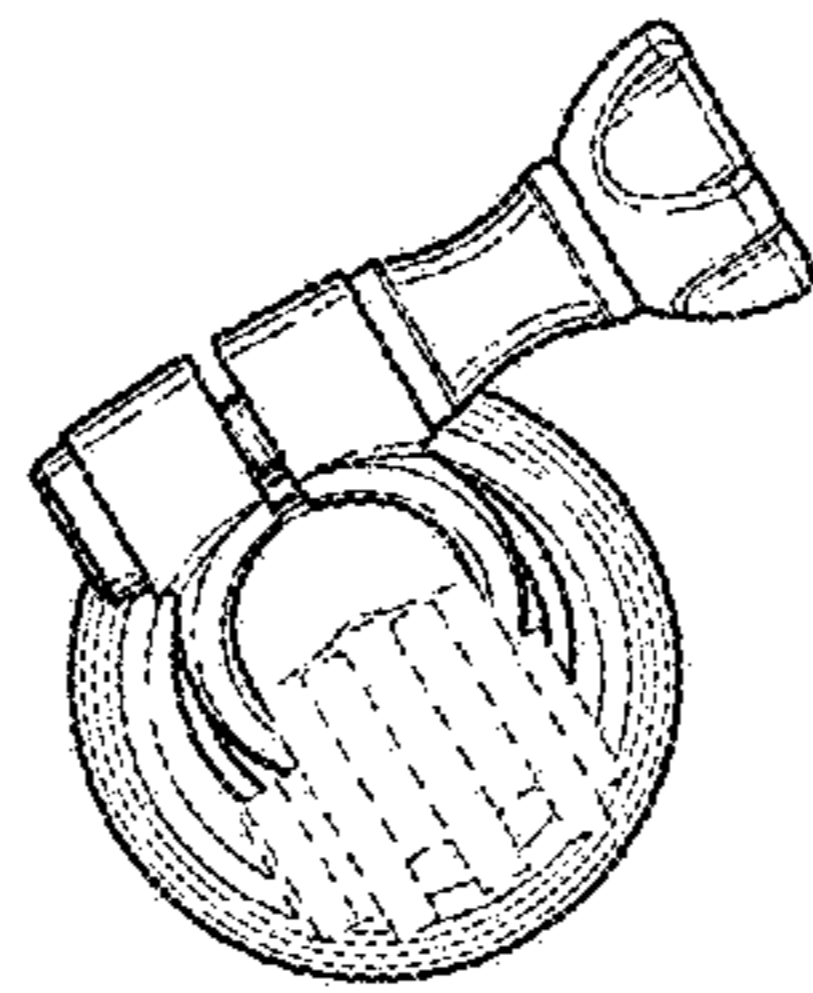


FIG. 7

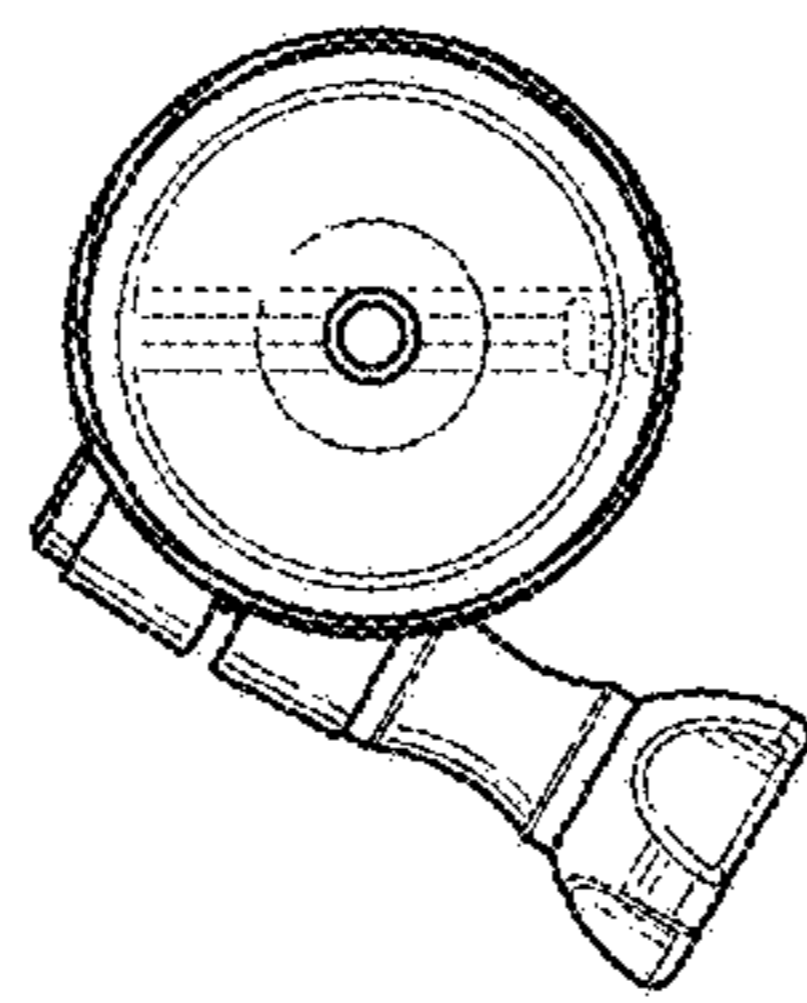


FIG. 8

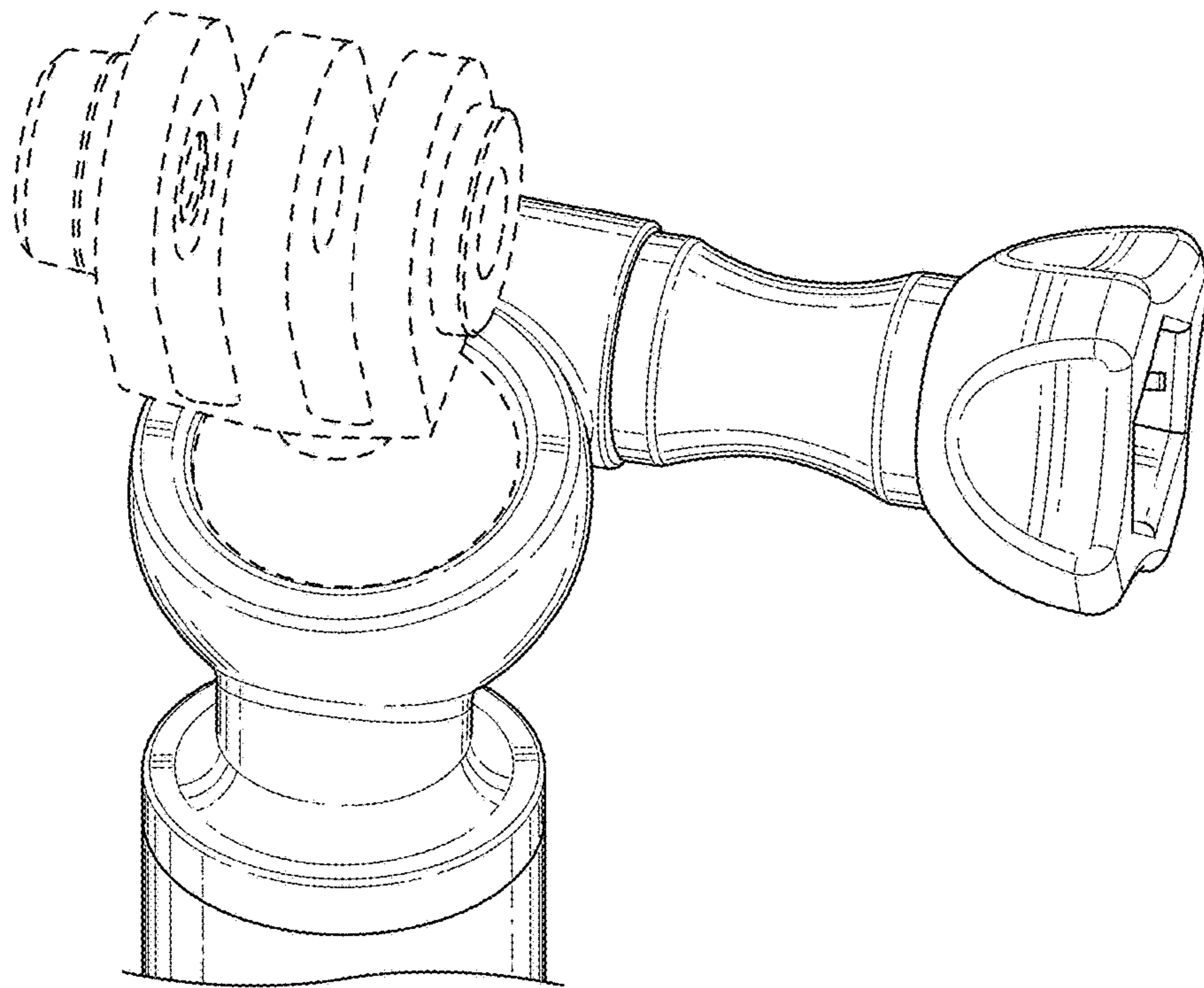


FIG. 9

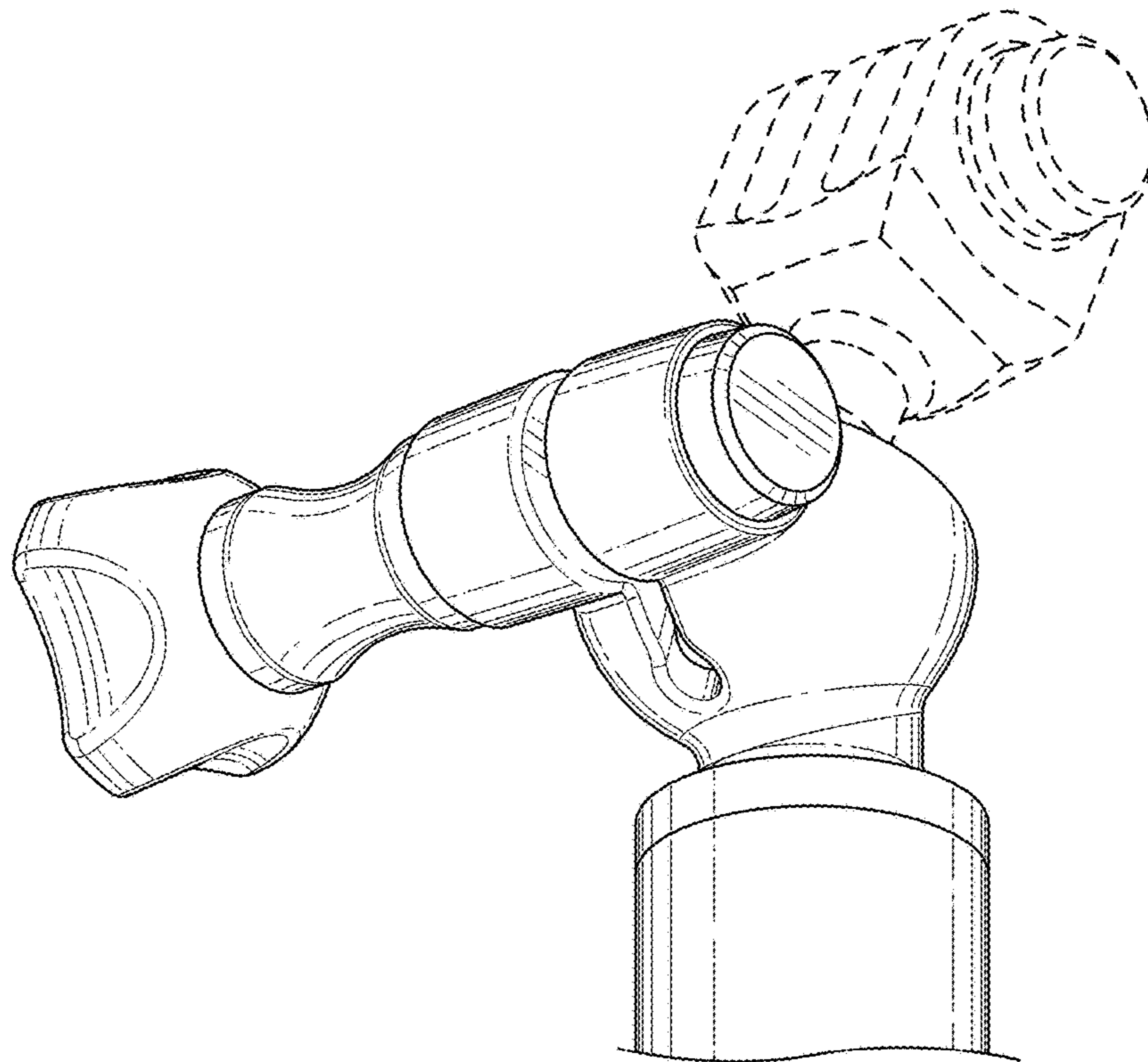


FIG. 10