

US00D861768S

(12) **United States Design Patent** (10) **Patent No.:** **US D861,768 S**  
**Morishita** (45) **Date of Patent:** **\*\* Oct. 1, 2019**

(54) **CAMERA CONTROLLER**  
(71) Applicant: **Panasonic Intellectual Property Management Co., Ltd., Osaka (JP)**  
(72) Inventor: **Yoshihito Morishita, Tokyo (JP)**  
(73) Assignee: **Panasonic Intellectual Property Management Co., Ltd., Osaka (JP)**

D479,239 S \* 9/2003 Faust ..... D14/415  
D601,566 S \* 10/2009 Tailor ..... D14/416  
D633,111 S \* 2/2011 Muraoka ..... D15/28  
D645,046 S \* 9/2011 Hobenshield ..... D14/412  
D648,370 S 11/2011 Yoshida  
D735,722 S \* 8/2015 Amann ..... D14/413  
D750,179 S \* 2/2016 Foulkes ..... D14/400  
D819,118 S \* 5/2018 Muhlenkamp, IV ..... D16/243  
D844,514 S \* 4/2019 Wagner ..... D12/179

(\*\*) Term: **15 Years**  
(21) Appl. No.: **29/654,412**  
(22) Filed: **Jun. 24, 2018**

**OTHER PUBLICATIONS**

Panasonic AW-RP150GJ Touchscreen Remote Camera Controller. [online] Published on May 30, 2018. Retrieved Jun. 24, 2019 from URL: [https://www.fullcompass.com/prod/558091-panasonic-aw-rp150gj-touchscreen-remote-camera-controller.\\*](https://www.fullcompass.com/prod/558091-panasonic-aw-rp150gj-touchscreen-remote-camera-controller.*)  
Joystick Archives Lilaas. [online] Retrieved Jun. 24, 2019 from URL: [https://www.lilaas.no/product/joystick/\\*](https://www.lilaas.no/product/joystick/*)

(30) **Foreign Application Priority Data**  
Feb. 26, 2018 (JP) ..... 2018-003861  
(51) **LOC (12) Cl.** ..... **16-05**  
(52) **U.S. Cl.**  
USPC ..... **D16/237; D14/412**  
(58) **Field of Classification Search**  
USPC ..... D16/219, 237-250; D8/354, 355, 363, D8/373, 382-383, 394-396; D14/224, D14/229, 238, 251, 447, 451, 457, D14/412-415  
CPC ..... F16M 11/06-10; F16M 11/14; G02B 7/00-002; G03B 17/56; G03B 17/261-568; H04N 5/2253-2254  
See application file for complete search history.

\* cited by examiner

*Primary Examiner* — Vy N Koenig  
(74) *Attorney, Agent, or Firm* — Panasonic IP Management; Kerry S. Culpepper

(56) **References Cited**  
U.S. PATENT DOCUMENTS

D284,593 S \* 7/1986 Happ ..... D14/416  
D366,655 S \* 1/1996 Sanchez ..... D14/412  
D371,773 S \* 7/1996 Sanchez ..... D14/412  
D374,218 S \* 10/1996 Sanchez ..... D14/412  
D378,931 S \* 4/1997 Couch ..... D14/416  
D412,337 S 7/1999 Hamano  
D421,038 S 2/2000 Hisatsune  
D454,569 S \* 3/2002 Osborn ..... D14/412  
D462,685 S \* 9/2002 Yamamoto ..... D14/415

(57) **CLAIM**

I claim the ornamental design for a camera controller, as shown and described.

**DESCRIPTION**

FIG. 1 is a front perspective view of a camera controller of the present invention;  
FIG. 2 is a rear perspective view thereof;  
FIG. 3 is a front view thereof;  
FIG. 4 is a rear view thereof;  
FIG. 5 is a first side view thereof;  
FIG. 6 is a second side view thereof;  
FIG. 7 is a top view thereof; and,  
FIG. 8 is a bottom view thereof.  
The broken lines shown represent unclaimed subject matter and form no part of the claimed design.

**1 Claim, 8 Drawing Sheets**

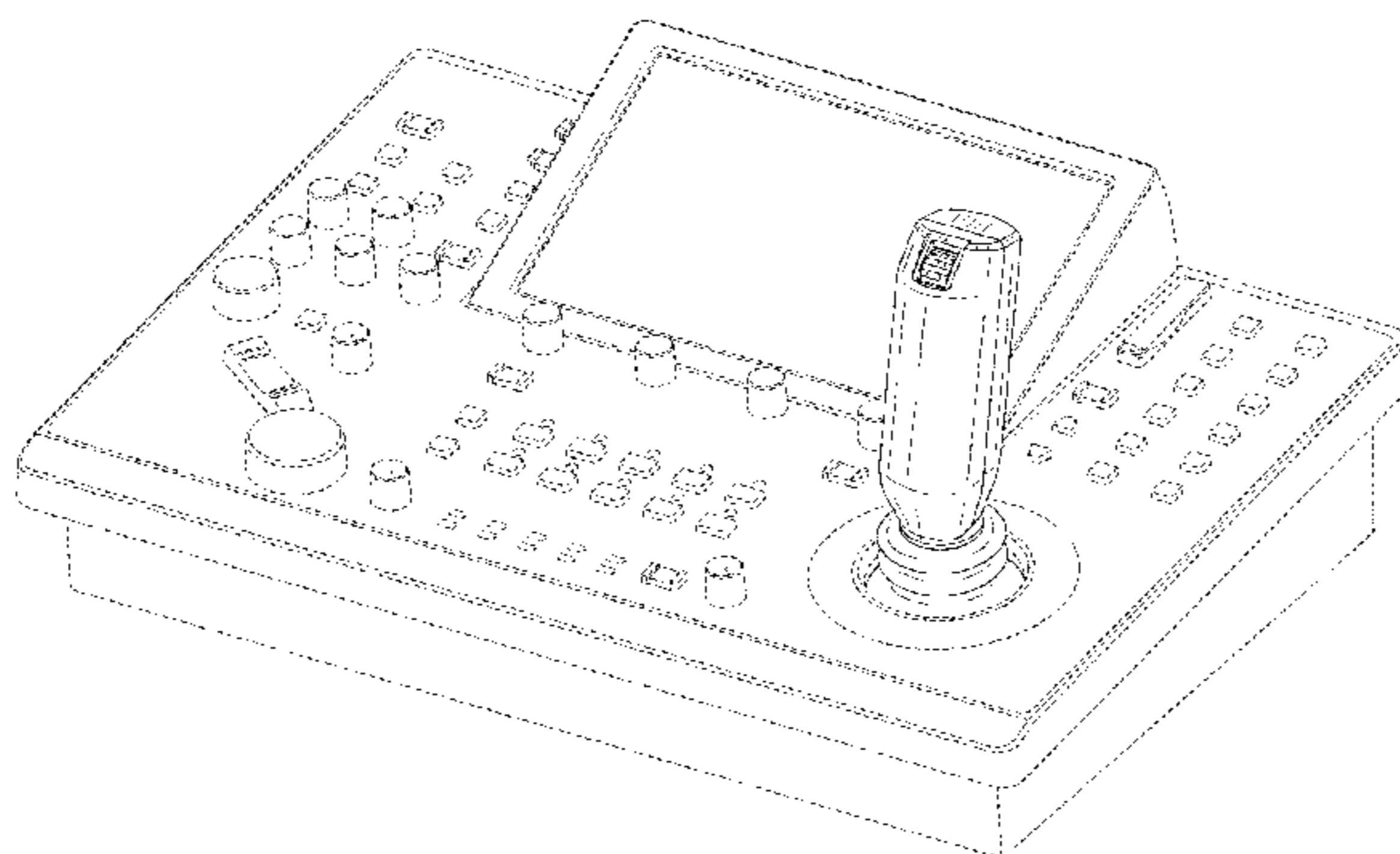


FIG. 1

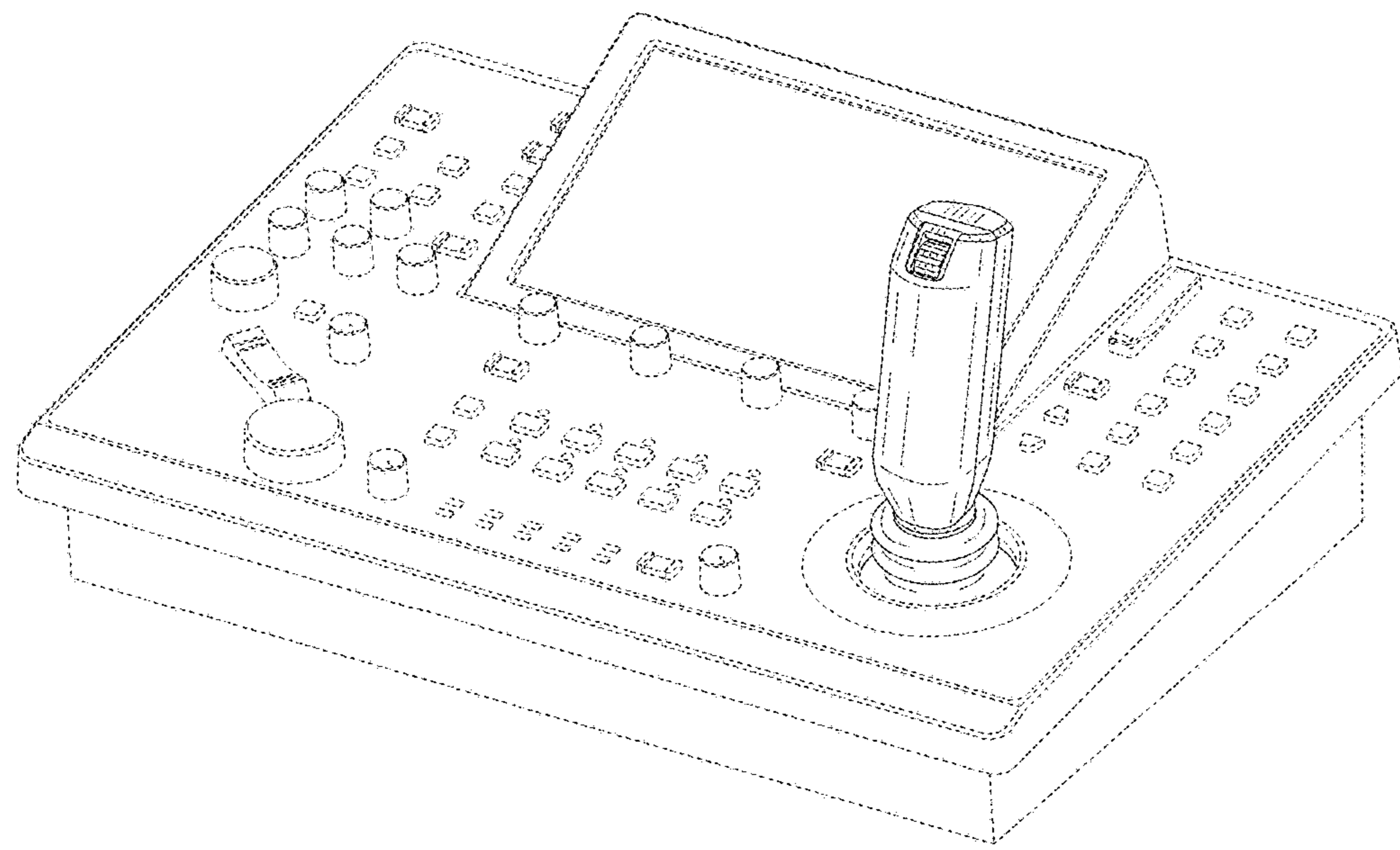


FIG. 2

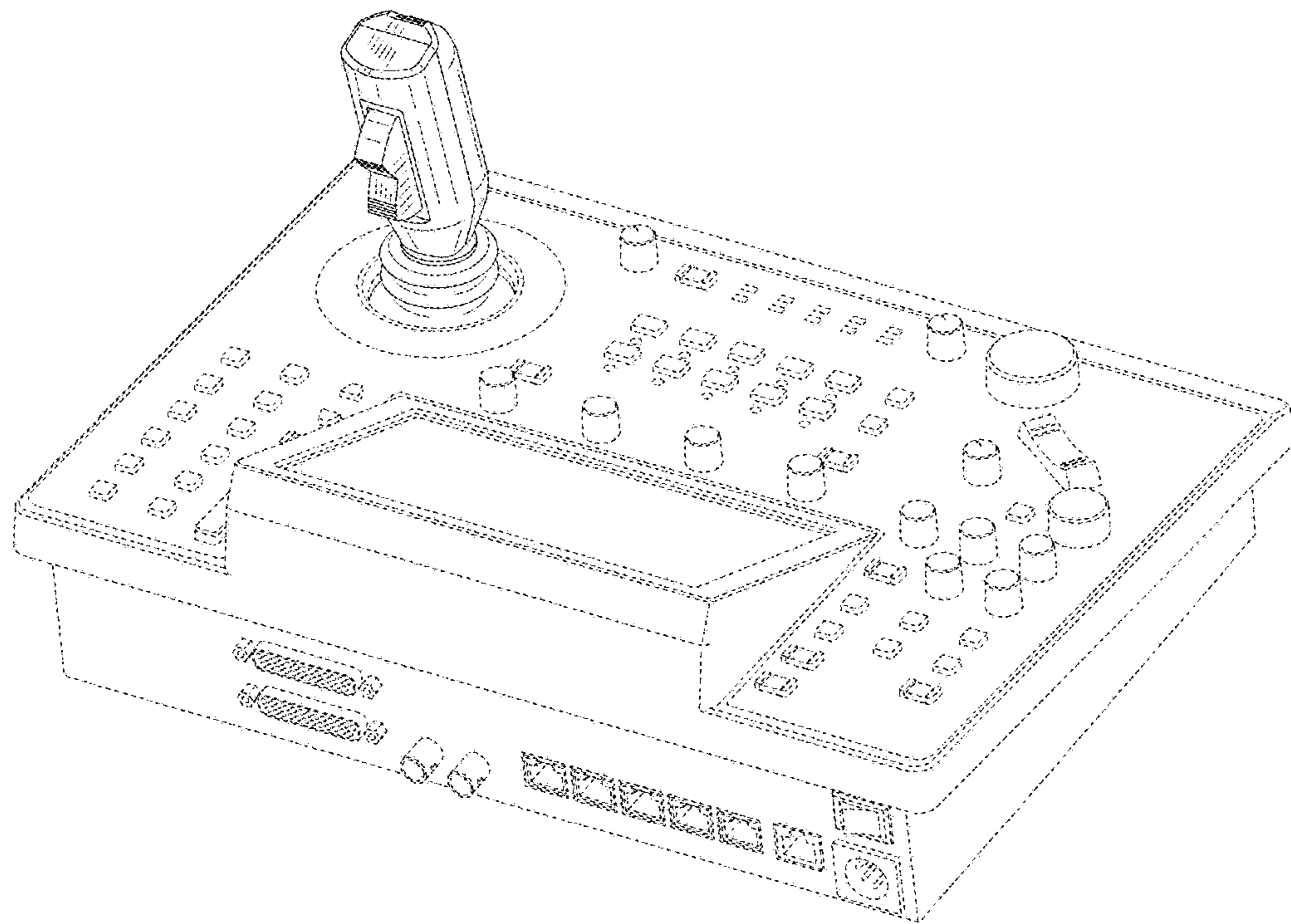


FIG. 3

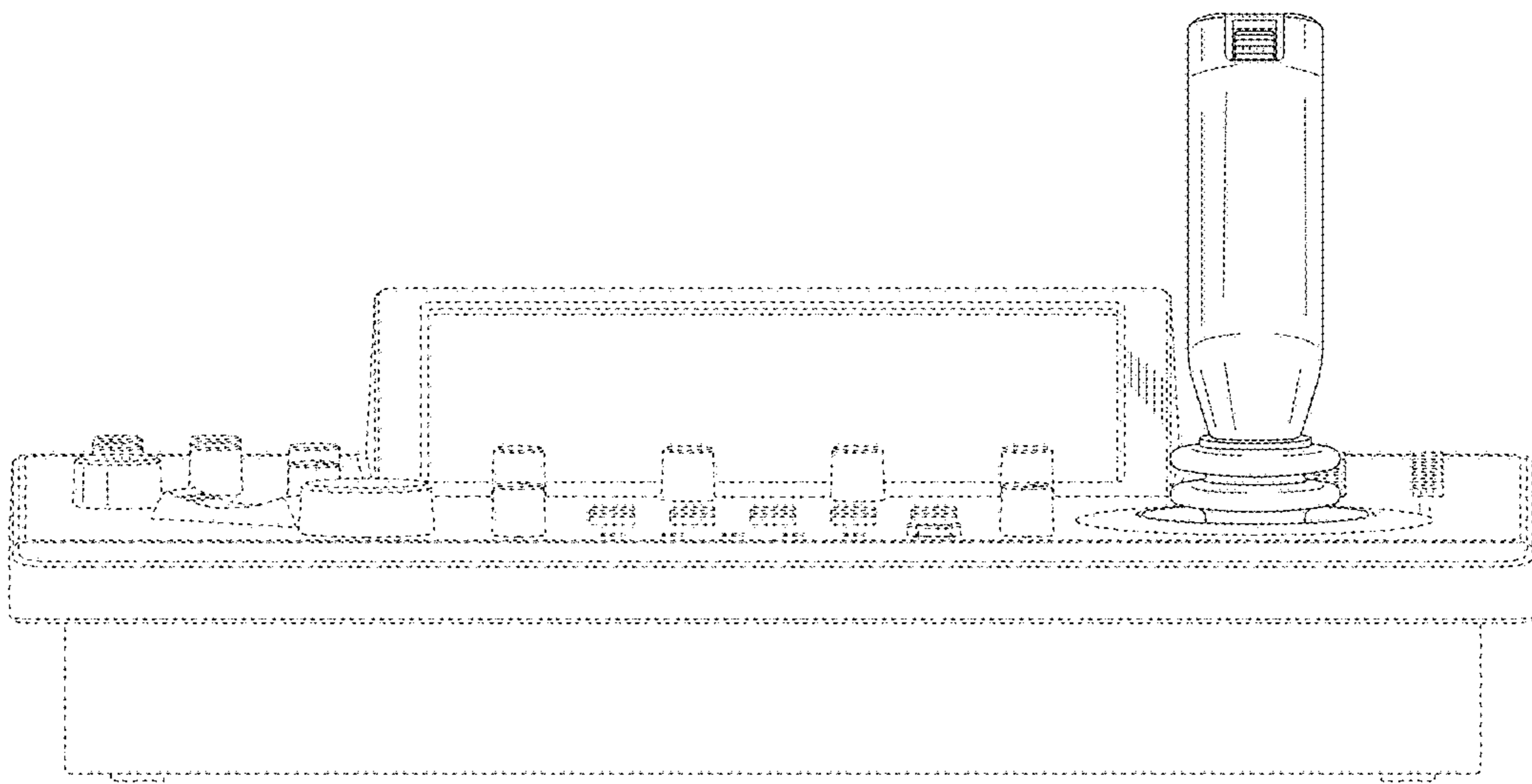


FIG. 4

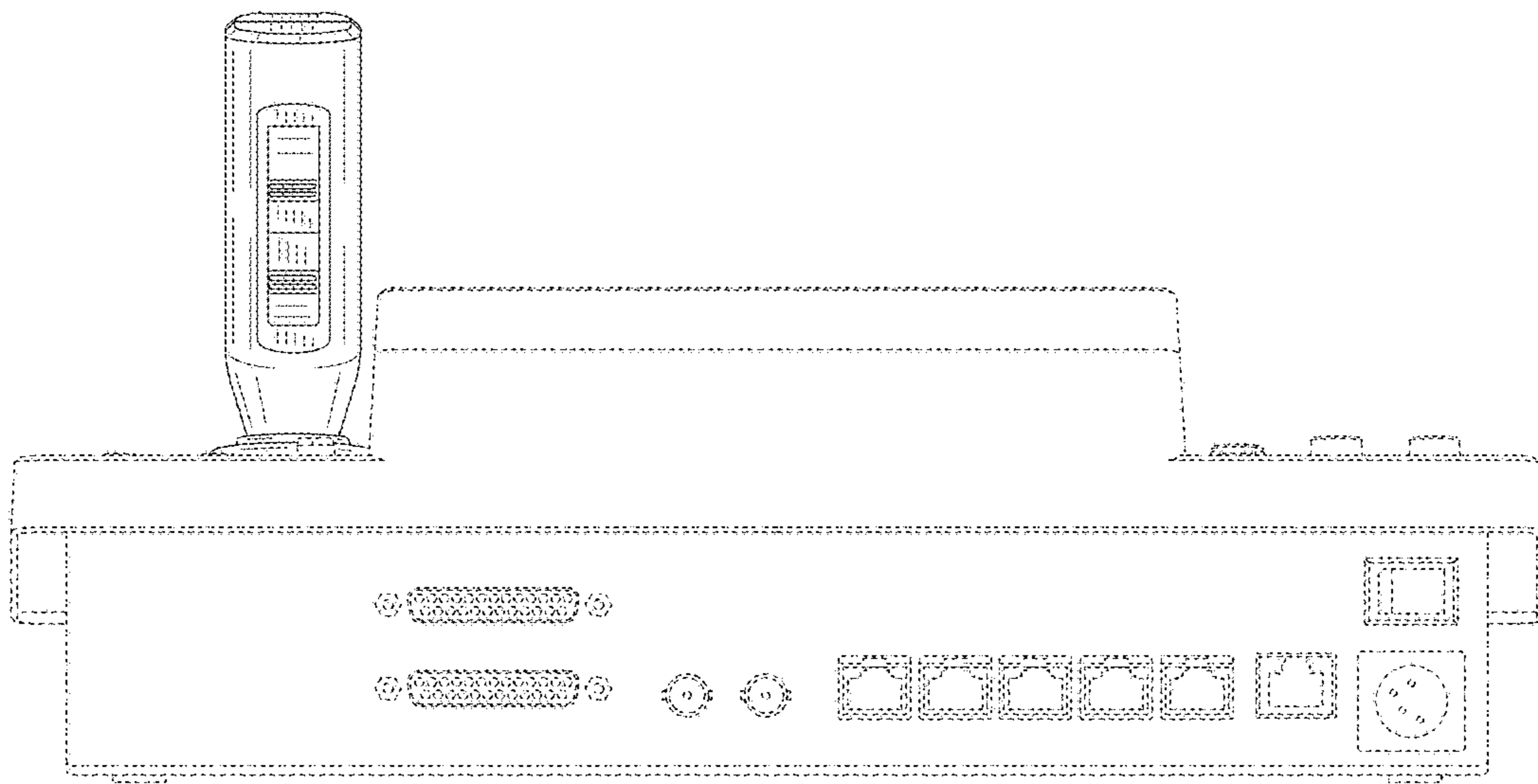




FIG. 5

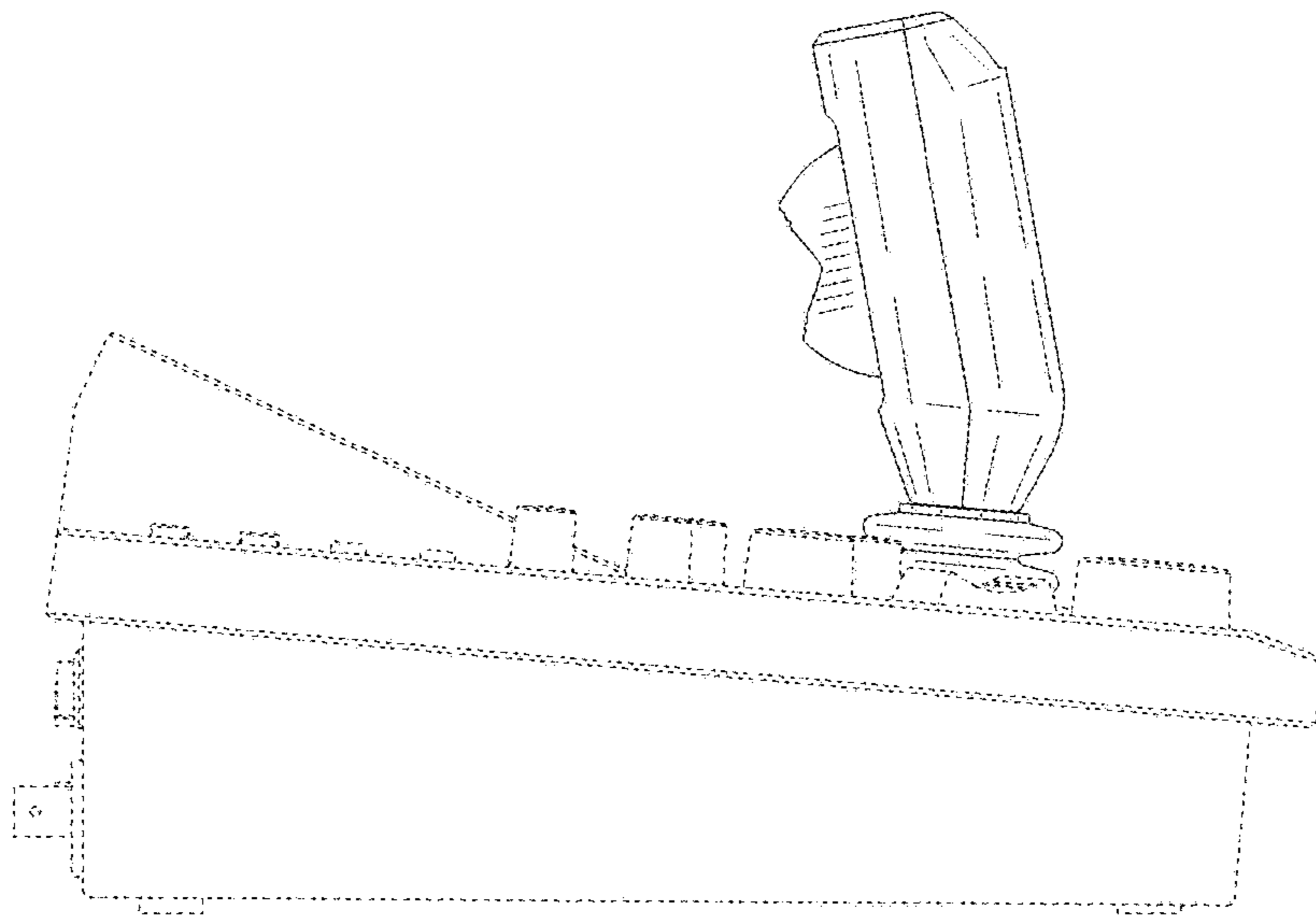


FIG. 6

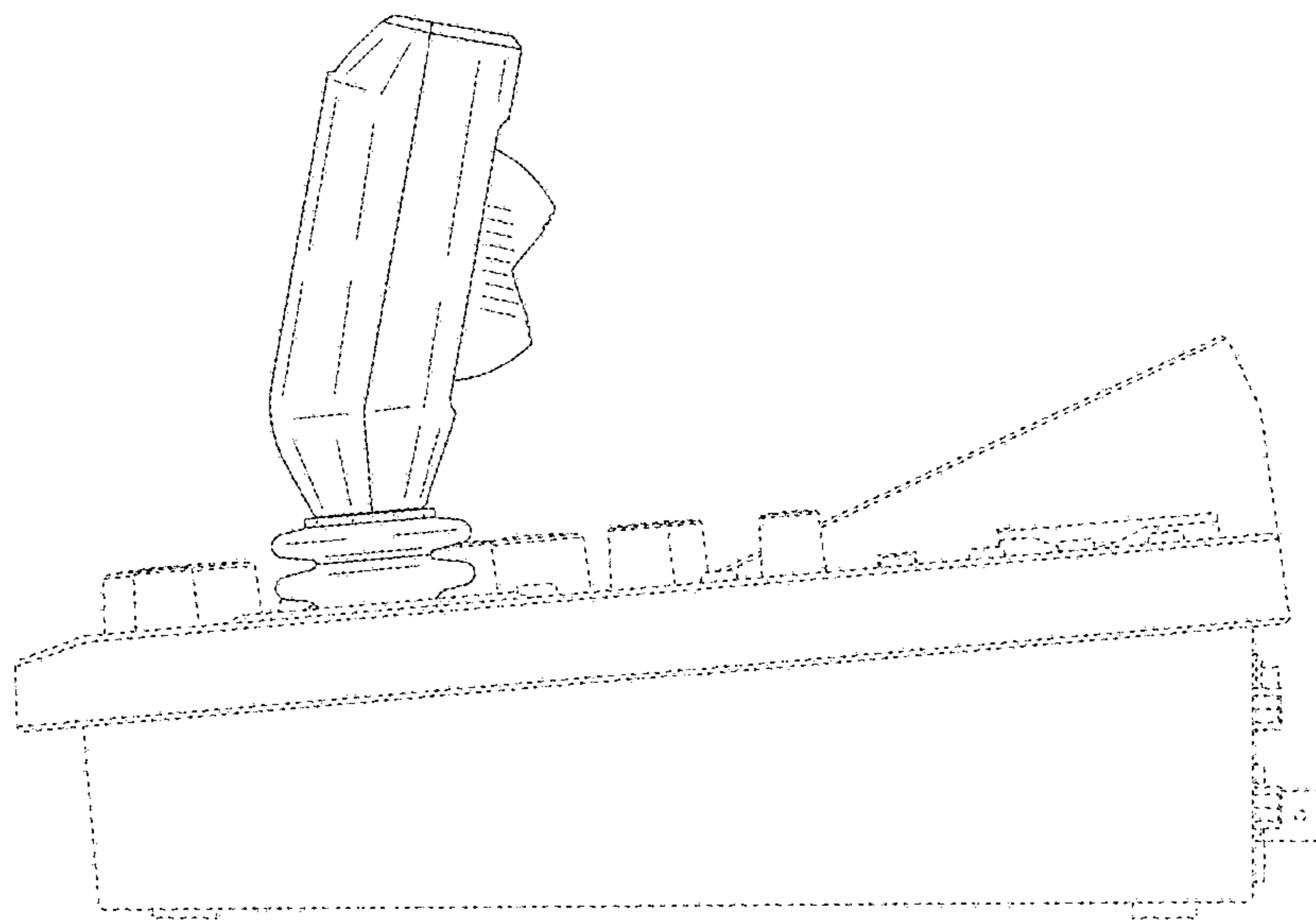


FIG. 7

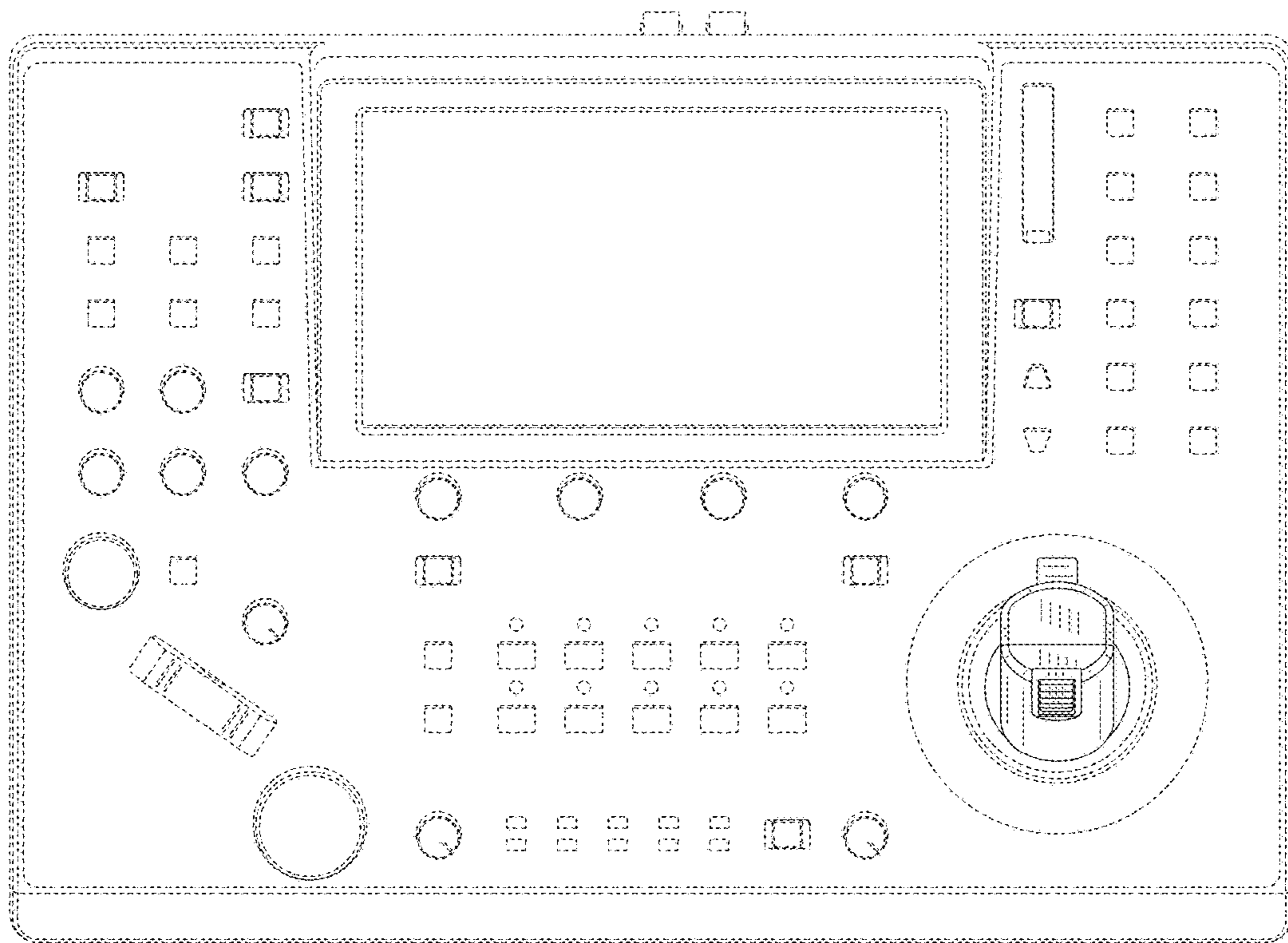




FIG. 8

