



US00D861767S

(12) **United States Design Patent**
Morishita

(10) **Patent No.:** **US D861,767 S**

(45) **Date of Patent:** **** Oct. 1, 2019**

(54) **CAMERA CONTROLLER**

(71) Applicant: **Panasonic Intellectual Property Management Co., Ltd., Osaka (JP)**

(72) Inventor: **Yoshihito Morishita, Tokyo (JP)**

(73) Assignee: **Panasonic Intellectual Property Management Co., Ltd., Osaka (JP)**

(**) Term: **15 Years**

(21) Appl. No.: **29/654,411**

(22) Filed: **Jun. 24, 2018**

(30) **Foreign Application Priority Data**

Feb. 26, 2018 (JP) 2018-003862

(51) **LOC (12) Cl.** **16-05**

(52) **U.S. Cl.**
USPC **D16/237; D14/413**

(58) **Field of Classification Search**
USPC D16/219, 237-250; D8/354, 355, 363,
D8/373, 382-383, 394-396; D14/224,
D14/229, 238, 251, 447, 451, 457,
D14/412-415
CPC F16M 11/06-10; F16M 11/14; G02B
7/00-002; G03B 17/56; G03B
17/261-568; H04N 5/2253-2254
See application file for complete search history.

(56) **References Cited**

U.S. PATENT DOCUMENTS

D411,530 S * 6/1999 Carter D14/217
D412,337 S 7/1999 Hamano
D421,038 S 2/2000 Hisatsune

D451,529 S * 12/2001 Vasquez D13/164
D503,928 S * 4/2005 Obata D13/164
D553,580 S * 10/2007 Hobson D13/164
D636,744 S * 4/2011 Yoshida D14/125
D644,644 S * 9/2011 Wang D14/415
D648,370 S 11/2011 Yoshida
D762,179 S * 7/2016 Wong D13/168
D824,913 S * 8/2018 Bidwell D14/447

OTHER PUBLICATIONS

Panasonic AW-RP150GJ Touchscreen Remote Camera Controller. [online] Published on May 30, 2018. Retrieved Jun. 24, 2019 from URL: <https://www.fullcompass.com/prod/558091-panasonic-aw-rp150gj-touchscreen-remote-camera-controller>.*

* cited by examiner

Primary Examiner — Vy N Koenig
(74) *Attorney, Agent, or Firm* — Panasonic IP Management; Kerry S. Culpepper

(57) **CLAIM**

The ornamental design for a camera controller, as shown and described.

DESCRIPTION

FIG. 1 is a front perspective view of a camera controller of the present invention;
FIG. 2 is a rear perspective view thereof;
FIG. 3 is a front view thereof;
FIG. 4 is a rear view thereof;
FIG. 5 is a first side view thereof;
FIG. 6 is a second side view thereof;
FIG. 7 is a top view thereof; and,
FIG. 8 is a bottom view thereof.
The broken lines shown represent unclaimed subject matter and form no part of the claimed design.

1 Claim, 8 Drawing Sheets

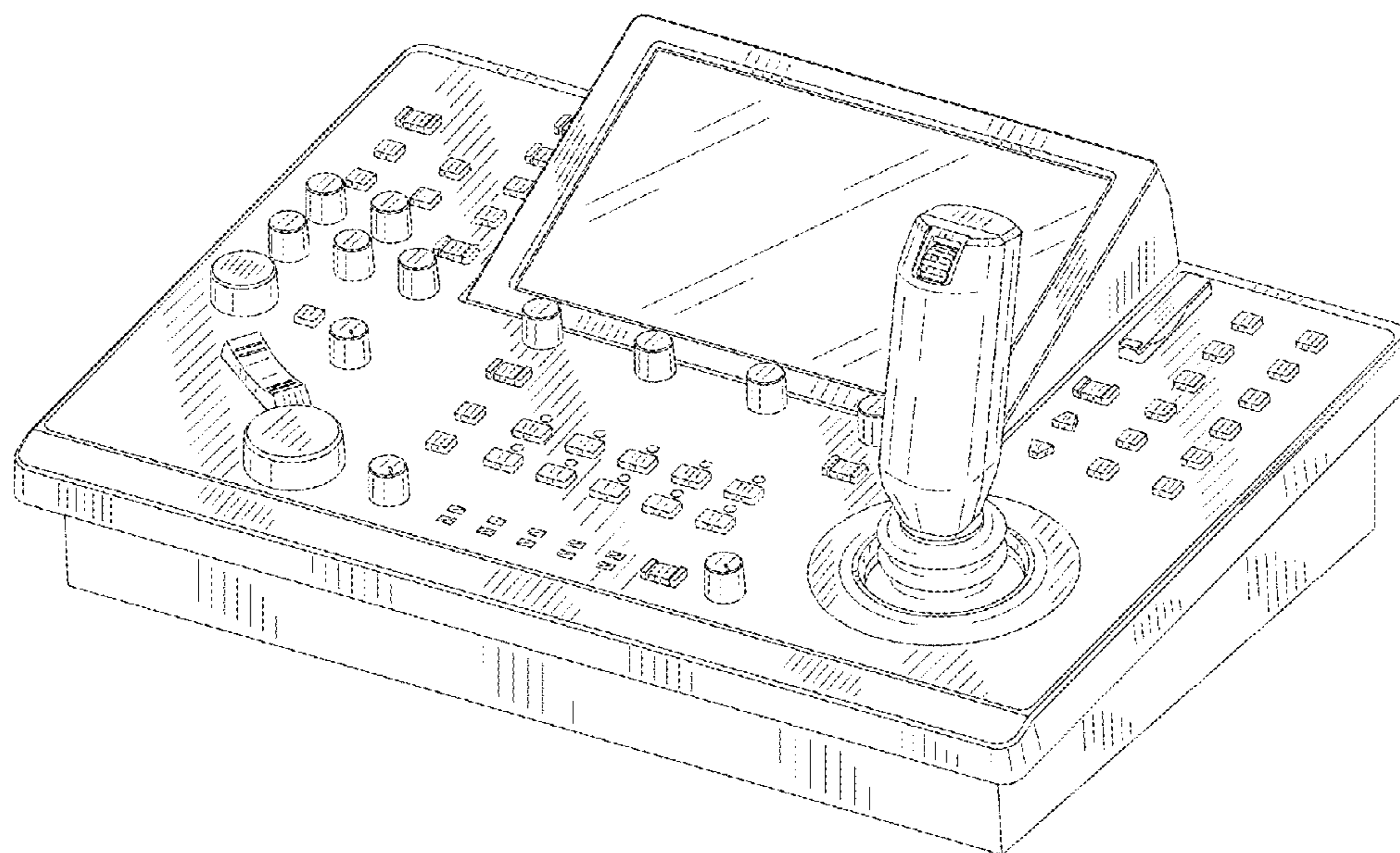


FIG. 1

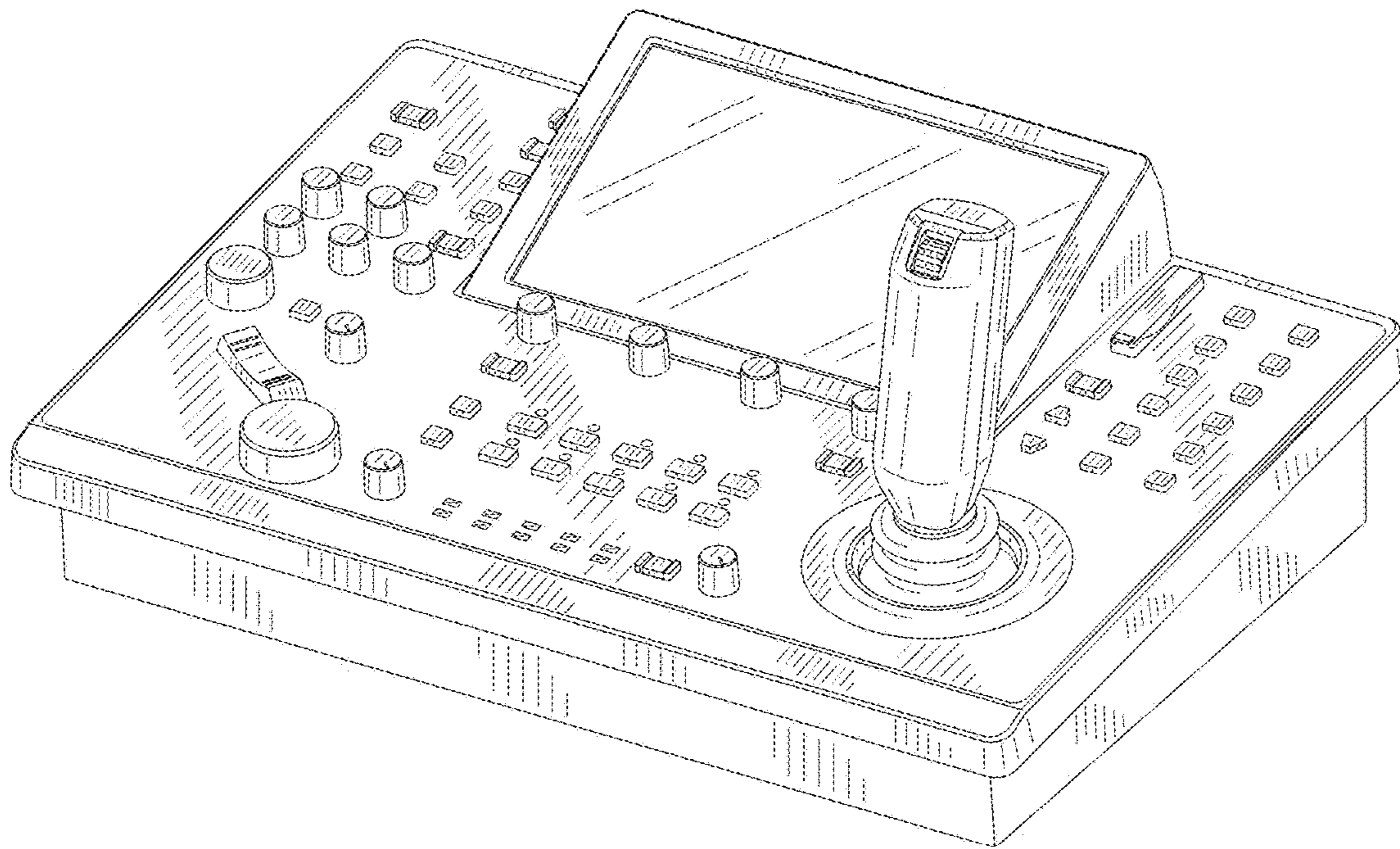


FIG. 2

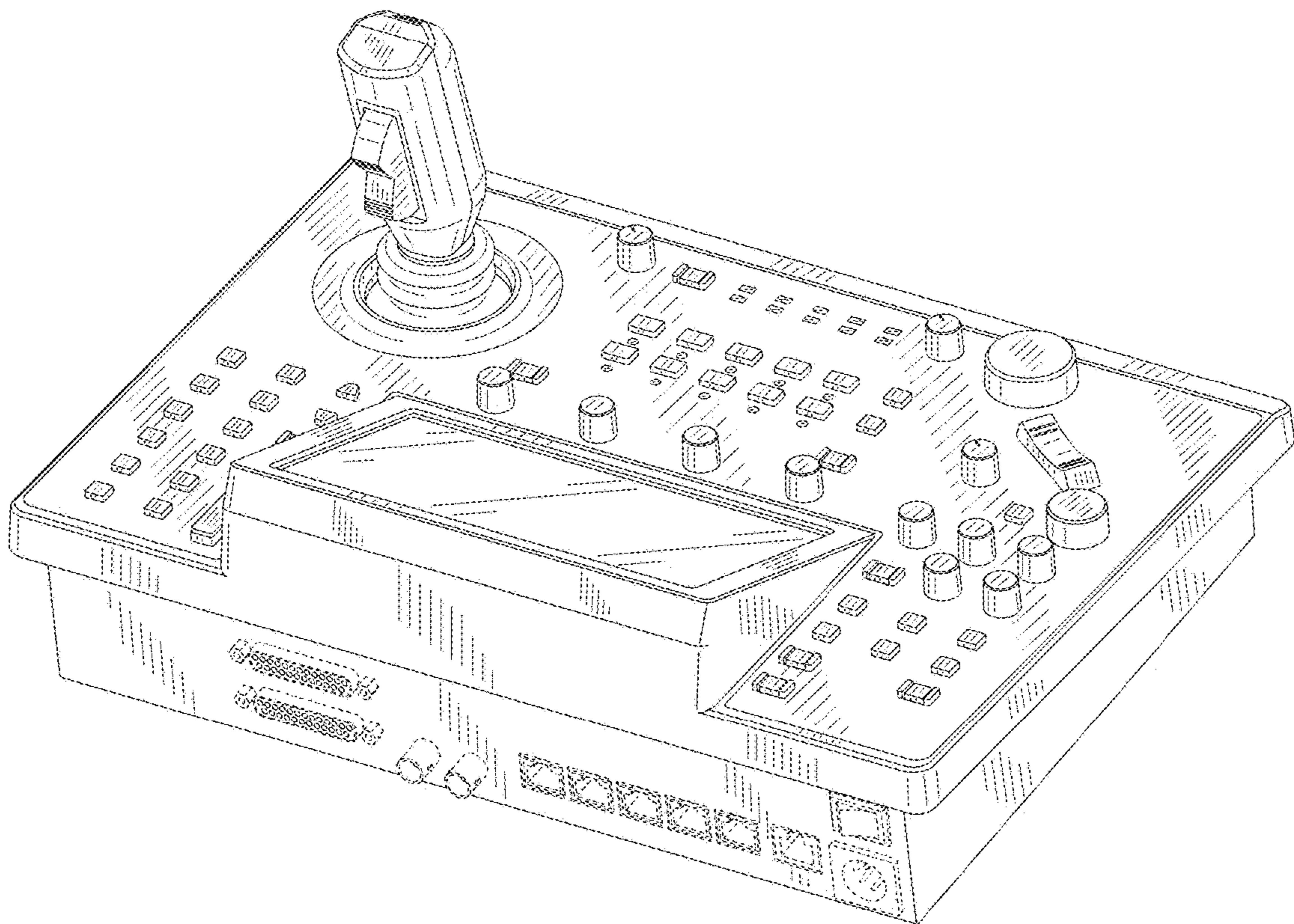


FIG. 3

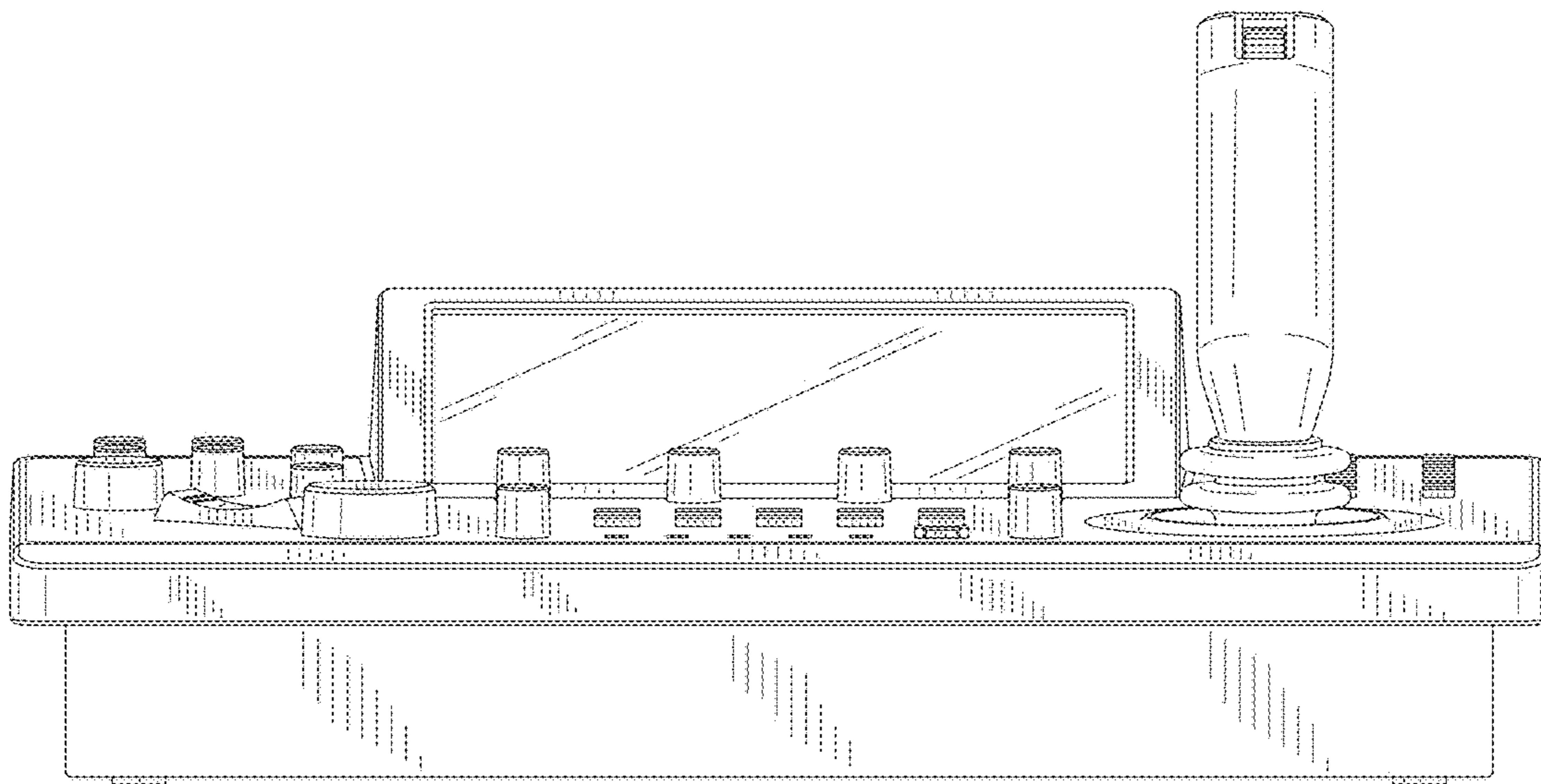


FIG. 4

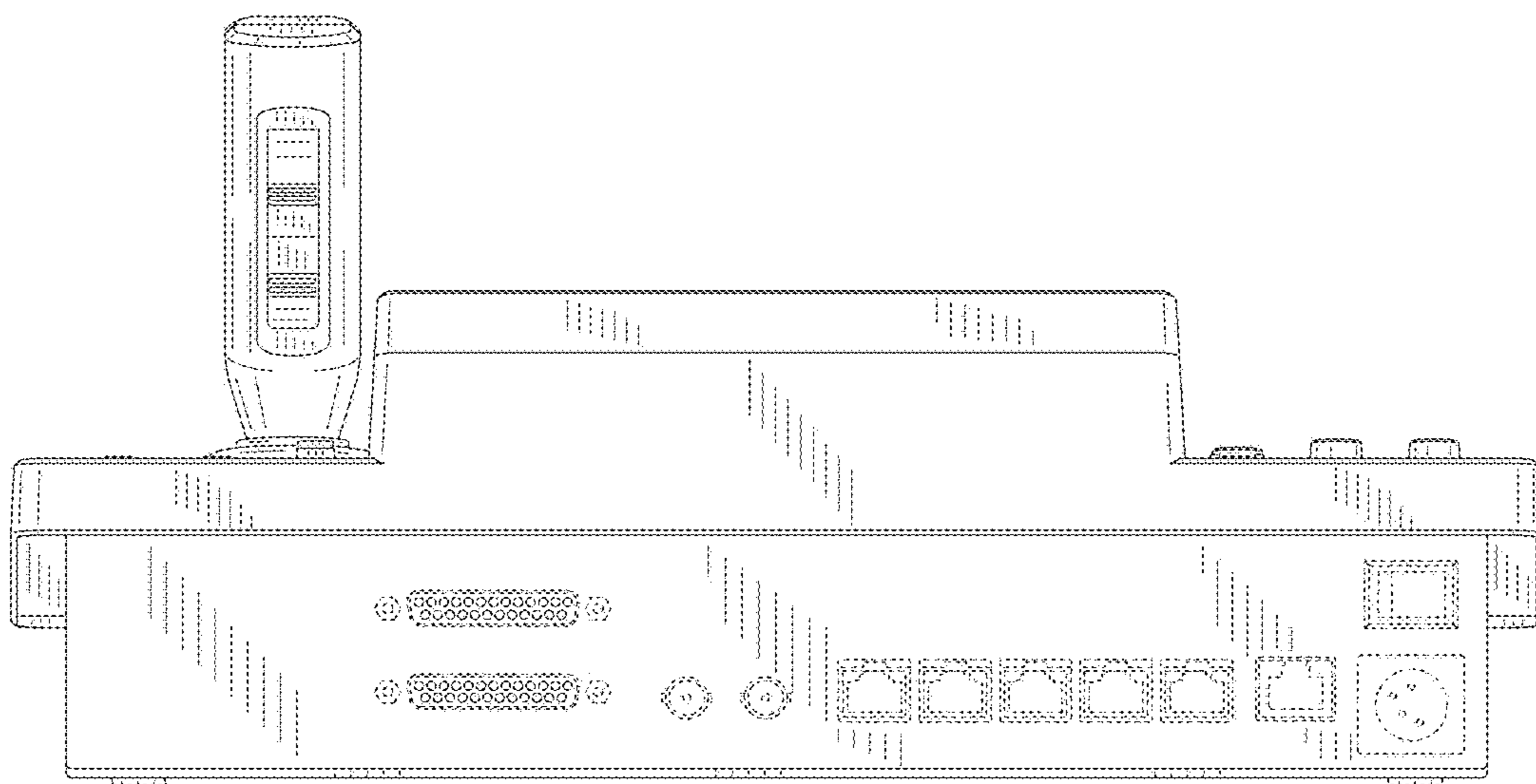


FIG. 5

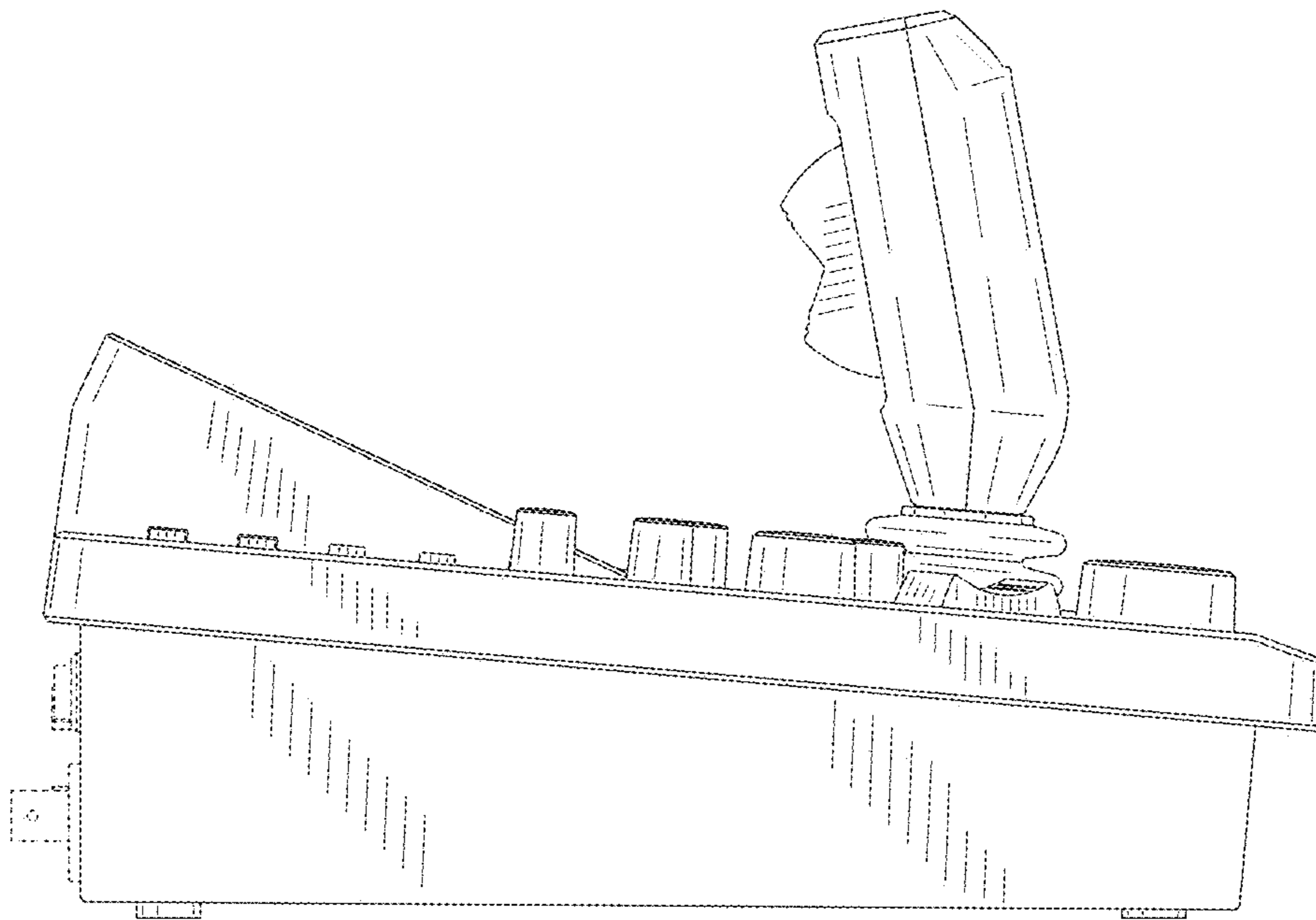


FIG. 6

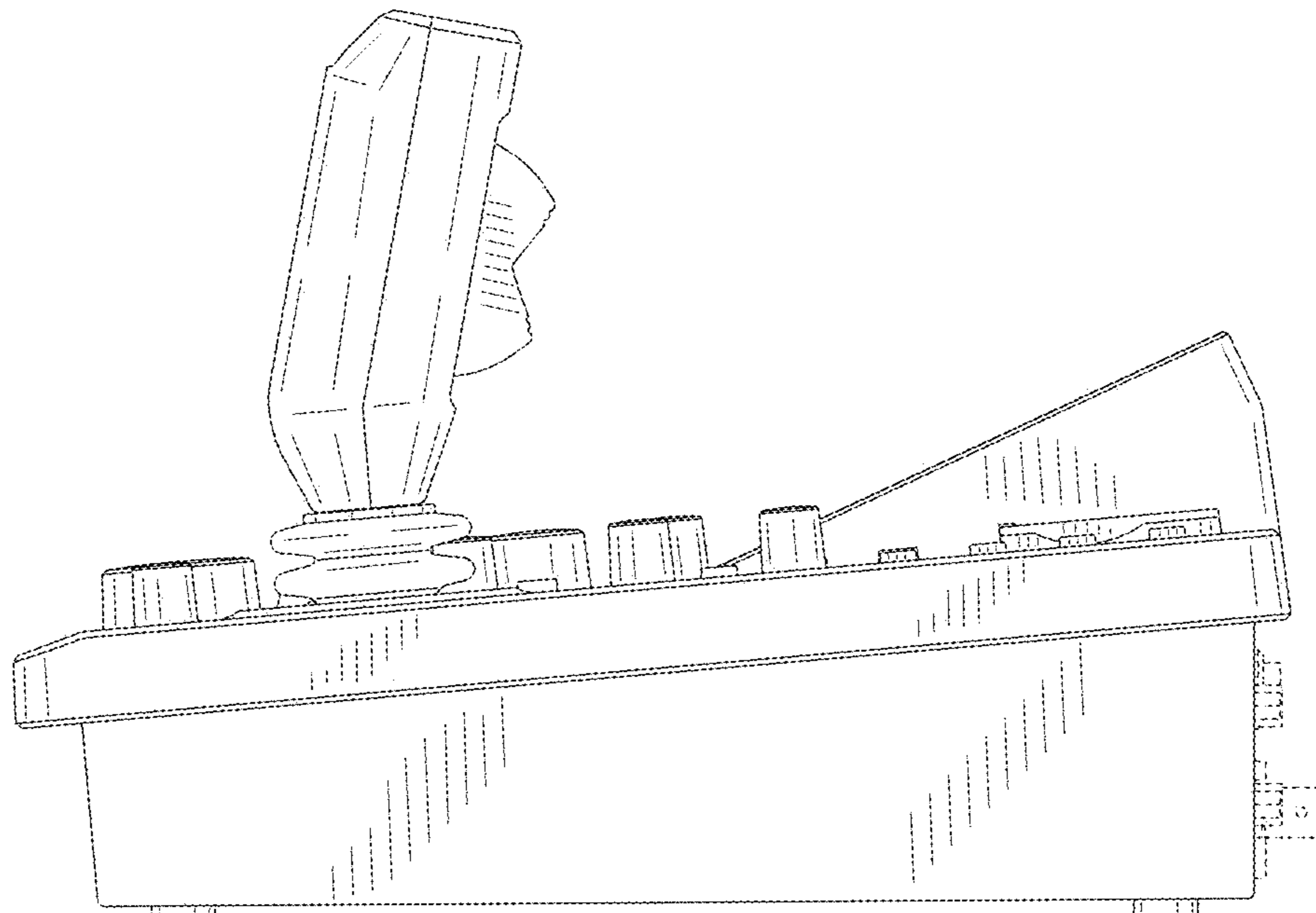


FIG. 7

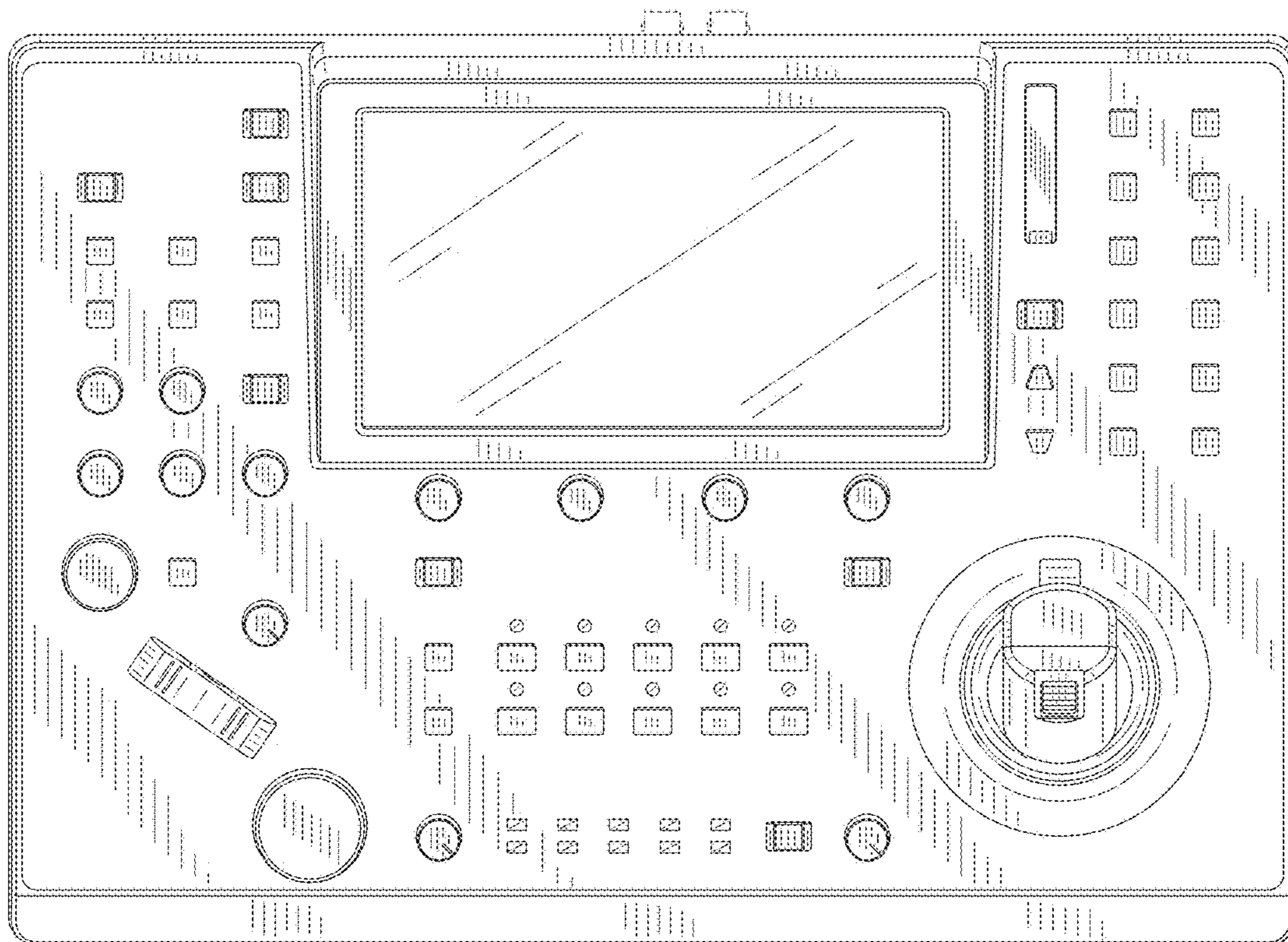


FIG. 8

