



US00D861766S

(12) **United States Design Patent**
Lim et al.

(10) **Patent No.:** **US D861,766 S**

(45) **Date of Patent:** **** Oct. 1, 2019**

(54) **CAMERA LENS FILTER**

(71) Applicant: **GoPro, Inc.**, San Mateo, CA (US)

(72) Inventors: **Way Chet Lim**, Menlo Park, CA (US);
Andrew Liu, San Carlos, CA (US);
Huy Phuong Nguyen, San Mateo, CA (US)

(73) Assignee: **GoPro, Inc.**, San Mateo, CA (US)

(**) Term: **15 Years**

(21) Appl. No.: **29/590,769**

(22) Filed: **Jan. 13, 2017**

(51) **LOC (12) Cl.** **16-05**

(52) **U.S. Cl.**
USPC **D16/237**; D16/219

(58) **Field of Classification Search**
USPC D16/200–220, 131, 237, 242, 239, 250,
D16/235, 130, 134, 136; D26/118,
D26/138–140; D30/110, 119, 124;
D14/242
CPC H04M 2250/52; H04N 5/2251; H04N
5/2252; H04N 5/2253; H01H 2231/046;
G02B 13/00; G02B 13/19621; G03B
11/048; G03B 11/04; G03B 11/041;
G03B 11/043; G03B 11/045

See application file for complete search history.

(56) **References Cited**

U.S. PATENT DOCUMENTS

- D403,583 S * 1/1999 Nask D9/435
- 6,454,444 B1 * 9/2002 Wang E05D 7/1061
16/243
- 6,480,346 B2 * 11/2002 Funakoshi G02B 7/025
359/808
- D477,104 S * 7/2003 Wang D26/72
- 6,802,418 B2 * 10/2004 Atkinson B65D 25/22
206/278
- D540,669 S * 4/2007 George D7/392.1

- D601,583 S * 10/2009 Andre D14/496
- D622,591 S * 8/2010 Biesecker D9/435
- D641,098 S * 7/2011 Wildner D26/85
- D656,654 S * 3/2012 Wauters D26/89
- D668,374 S * 10/2012 Wauters D26/89
- D684,718 S * 6/2013 Ko D26/72
- D689,537 S * 9/2013 Campbell D16/237

(Continued)

OTHER PUBLICATIONS

Front Lens Cover GoPro Hero5 Hero6, published Sep. 28, 2016 [online], [retrieved Sep. 3, 2018], Available from Internet, URL: <<https://www.youtube.com/watch?v=MZONvHRBpIA>> at approximately 0:20.*

(Continued)

Primary Examiner — Barbara Fox

Assistant Examiner — Mary Claire Ramirez

(74) *Attorney, Agent, or Firm* — Young Basile Hanlon & MacFarlane, P.C.

(57) **CLAIM**

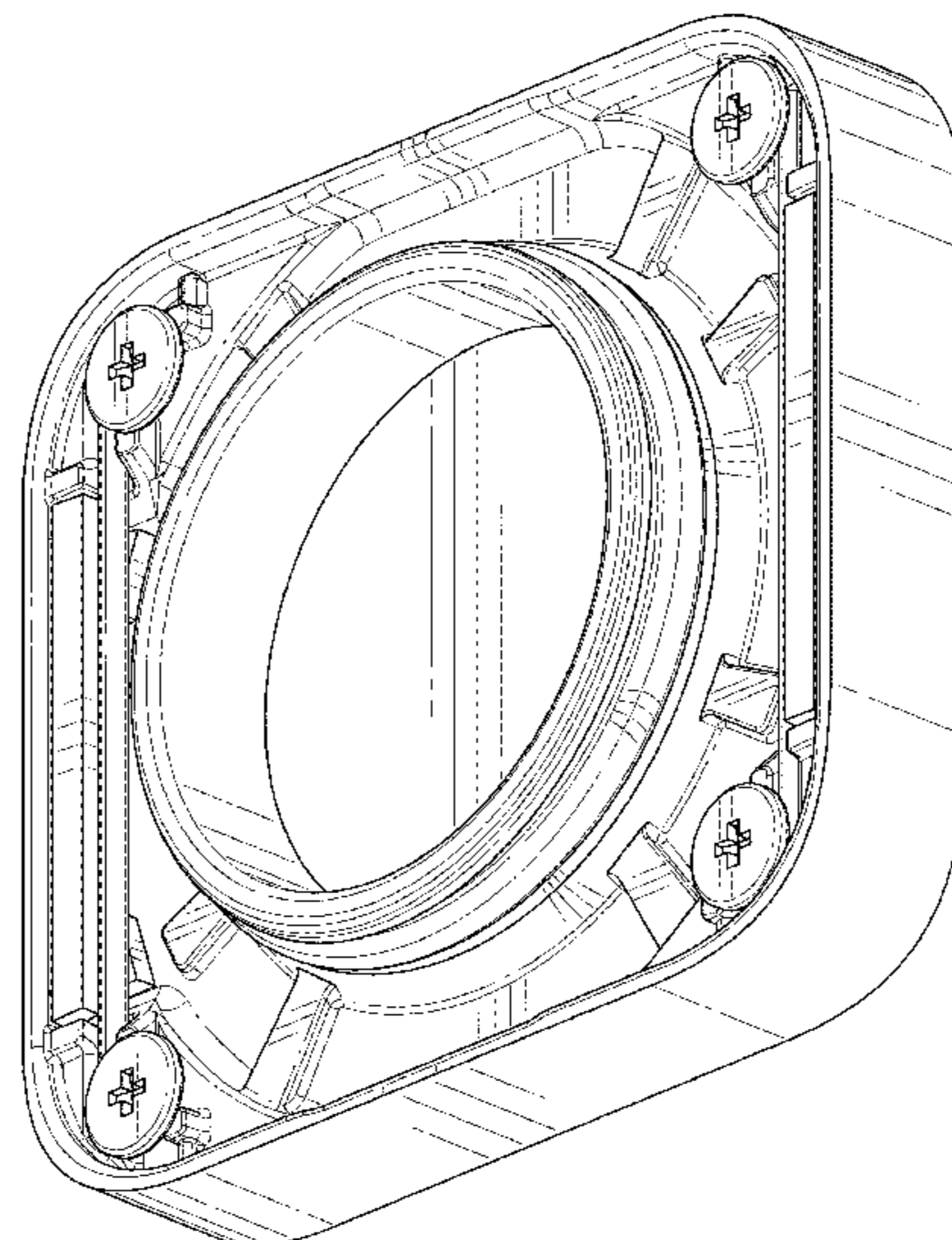
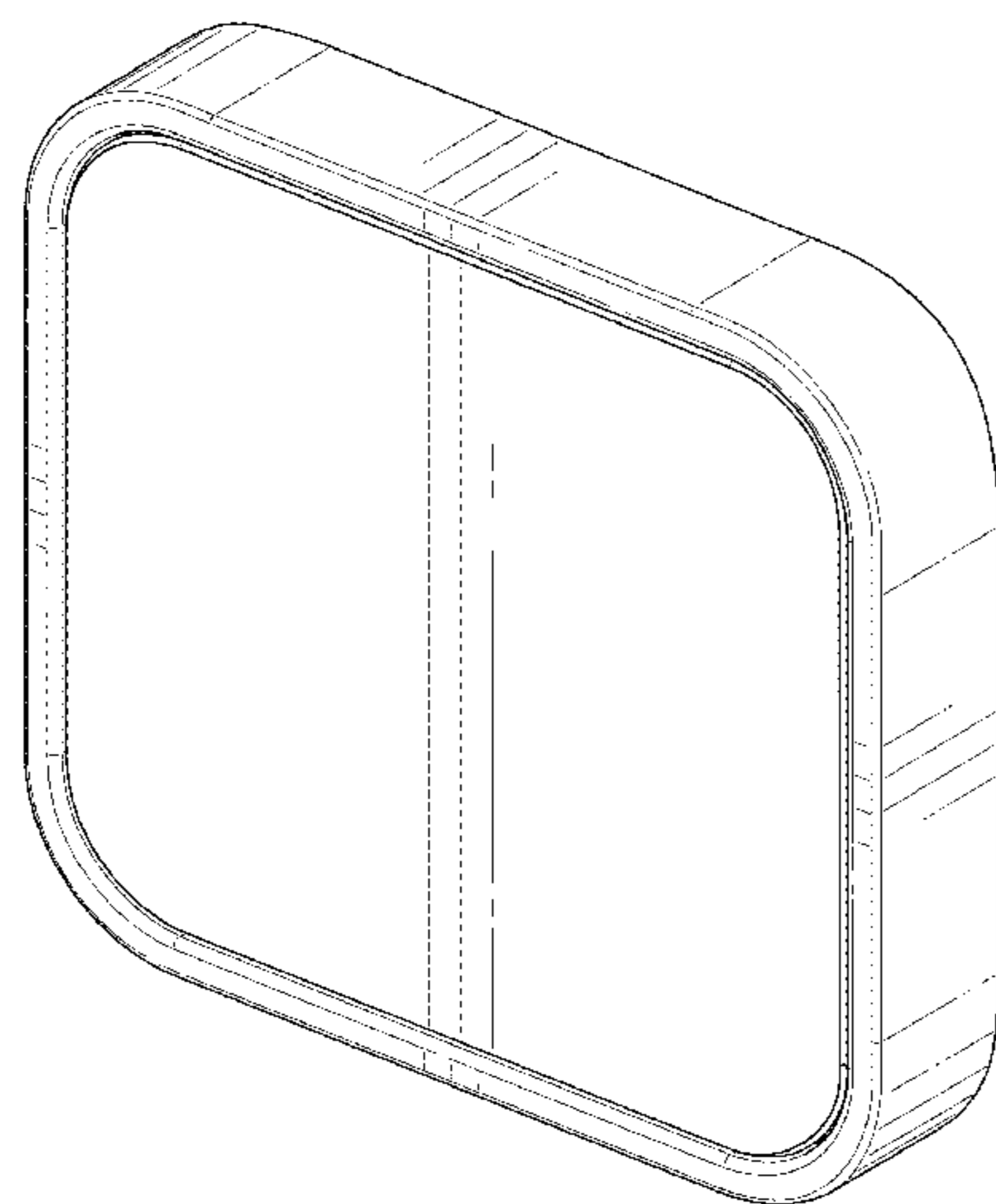
The ornamental design for a camera lens filter, as shown and described.

DESCRIPTION

FIG. 1 is a front, top, and right side perspective view of a camera lens filter showing the new design; FIG. 2 is a rear, bottom, and left perspective view thereof; FIG. 3 is a front plan view thereof; FIG. 4 is a rear plan view thereof; FIG. 5 is a left view thereof; FIG. 6 is a right view thereof; FIG. 7 is a top view thereof; and, FIG. 8 is a bottom view thereof.

The broken lines shown in the drawings depict portions of the camera lens filter that form no part of the claimed design.

1 Claim, 8 Drawing Sheets



(56)

References Cited

U.S. PATENT DOCUMENTS

D692,472 S * 10/2013 Samuels D16/136
 D699,275 S * 2/2014 Samuels D16/136
 D702,393 S * 4/2014 Ansierowicz D26/89
 D703,354 S * 4/2014 Kotsis D26/37
 D730,570 S * 5/2015 Chen D26/128
 D733,787 S * 7/2015 Baker D16/237
 D733,788 S * 7/2015 Baker D16/237
 D735,260 S * 7/2015 Bould D16/237
 D740,868 S * 10/2015 Gioscia D16/200
 D754,319 S * 4/2016 Park D23/385
 D759,287 S * 6/2016 Chen D26/128
 9,432,561 B2 * 8/2016 Samuels G03B 17/568
 D765,508 S * 9/2016 Wu D9/439
 9,451,727 B2 * 9/2016 Tolbert H05K 1/0209
 D769,234 S * 10/2016 Rami D14/253
 9,507,245 B1 * 11/2016 Druker A45F 5/00
 D777,821 S * 1/2017 Gioscia D16/219
 D778,335 S * 2/2017 Gioscia D16/200
 D778,336 S * 2/2017 Gioscia D16/219
 D797,100 S * 9/2017 Wieser D14/358

D820,083 S * 6/2018 Daley D9/435
 D834,236 S * 11/2018 Amato D26/89
 D839,664 S * 2/2019 Pentelovitch D7/391
 D843,209 S * 3/2019 Daley D9/435
 2006/0255041 A1 * 11/2006 Parks B65D 21/0219
 220/301
 2010/0208434 A1 * 8/2010 Kim G06F 1/1626
 361/729
 2013/0107111 A1 * 5/2013 Campbell H04N 5/2252
 348/373
 2017/0010518 A1 * 1/2017 Tang G03B 11/043
 2017/0057711 A1 * 3/2017 Miller B65D 50/045
 2017/0168374 A1 * 6/2017 Lim G03B 11/06
 2018/0084160 A1 * 3/2018 Miyashita H04N 5/2252

OTHER PUBLICATIONS

Front Protective Lens Removal and Replacement—GoPro Hero 5 Black, published Dec. 4, 2016 [online], [retrieved Sep. 3, 2018], Available from Internet, URL: <<https://www.youtube.com/watch?v=oFK9VgPiQXk>> at approximately 0:12.*

* cited by examiner

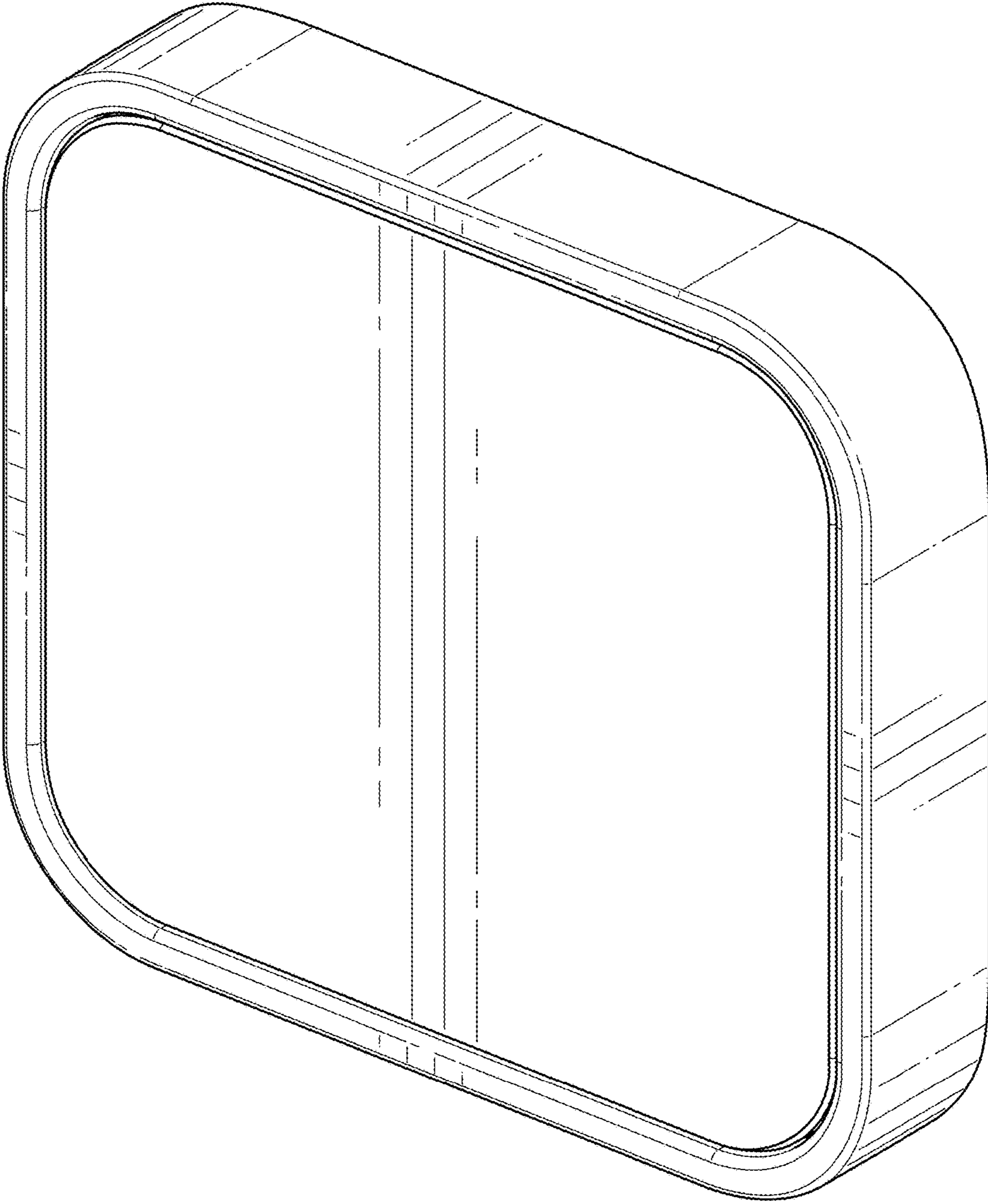


FIG. 1

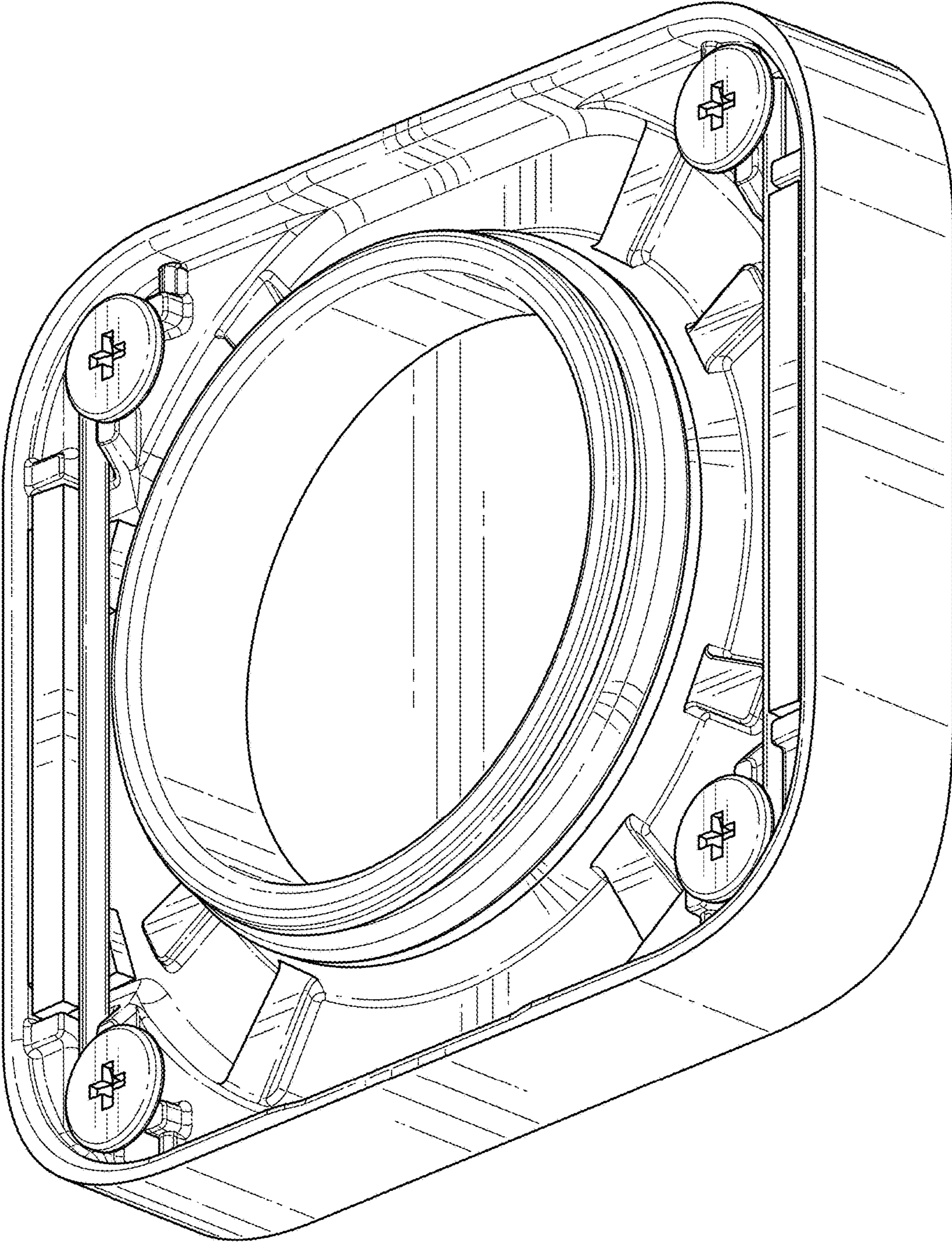


FIG. 2

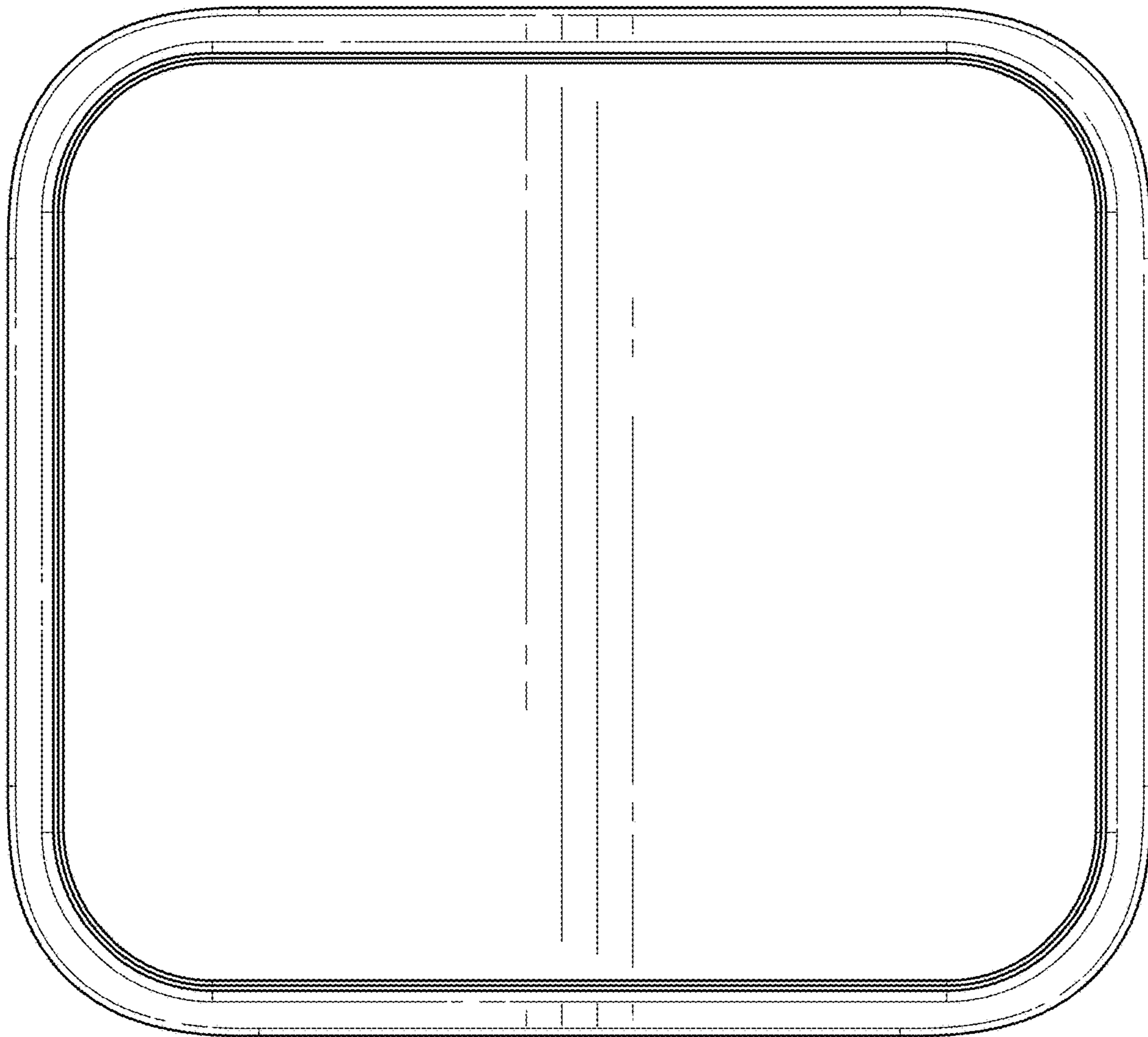


FIG. 3

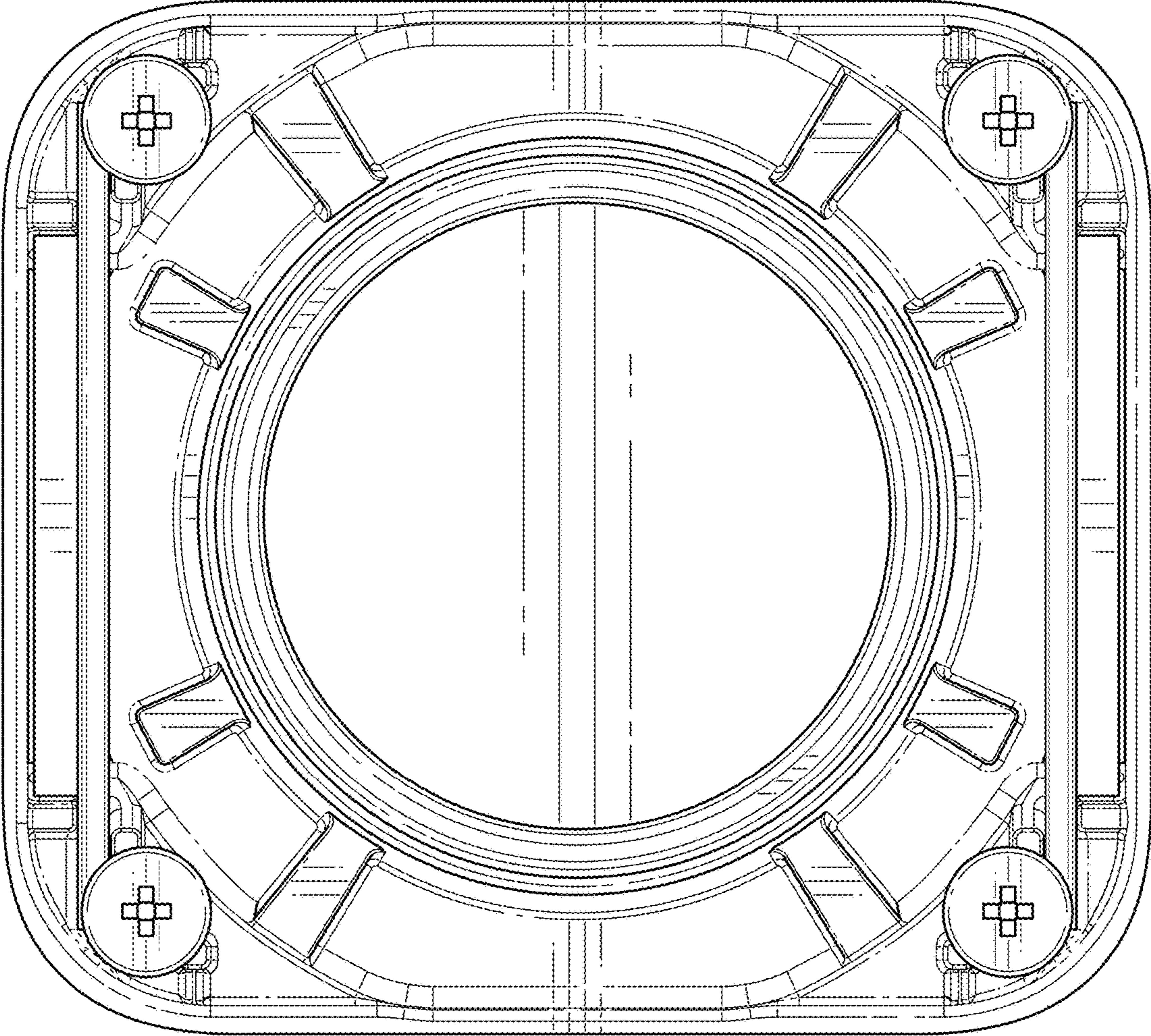


FIG. 4

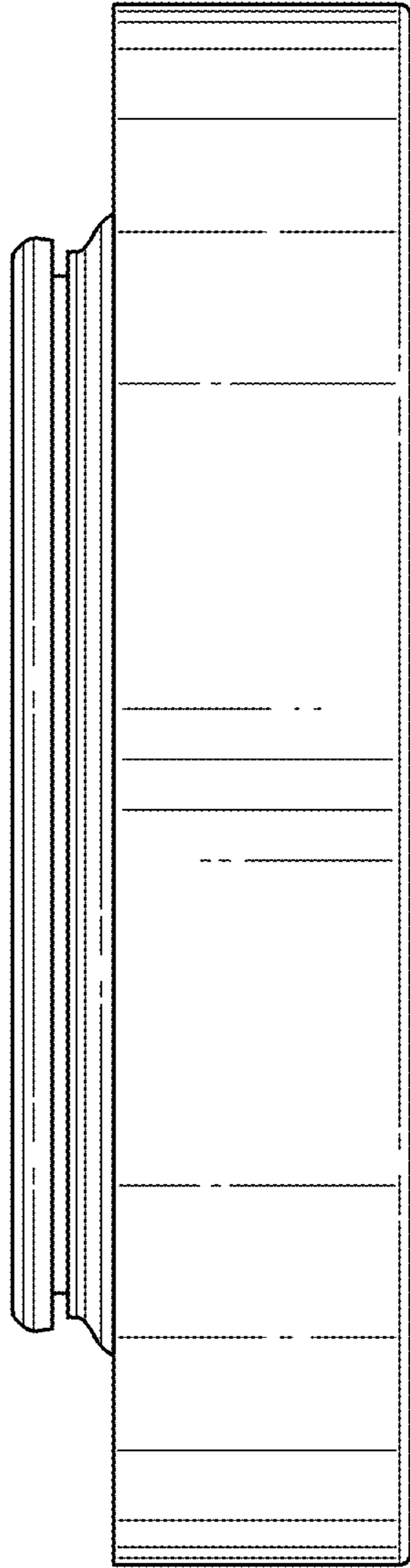


FIG. 5

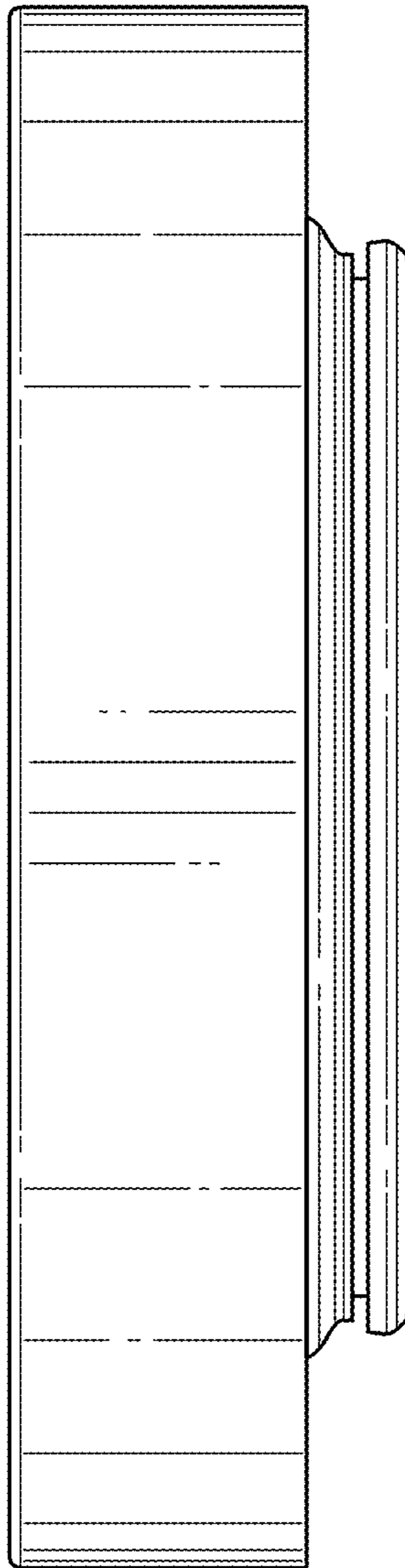


FIG. 6

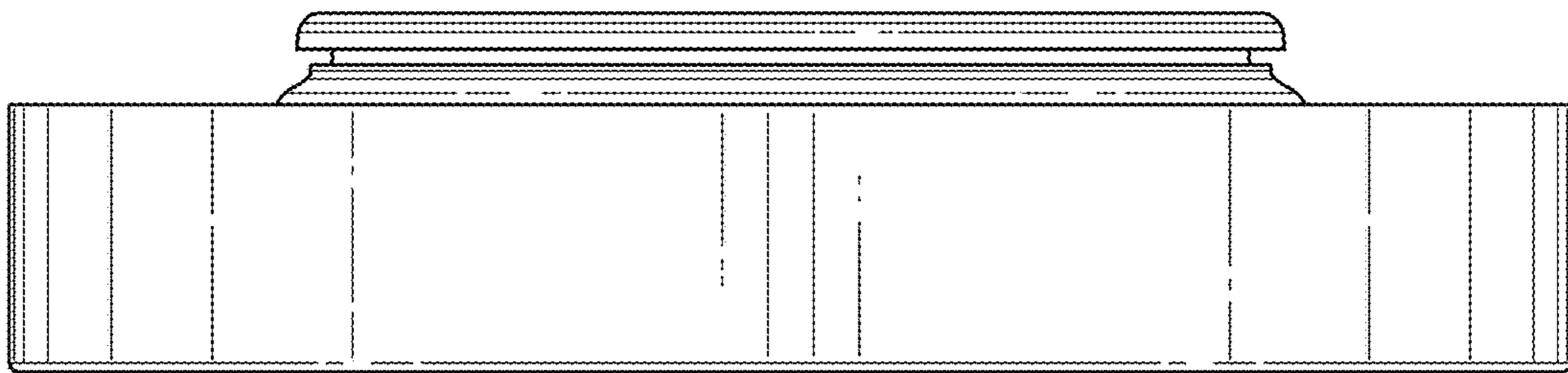


FIG. 7

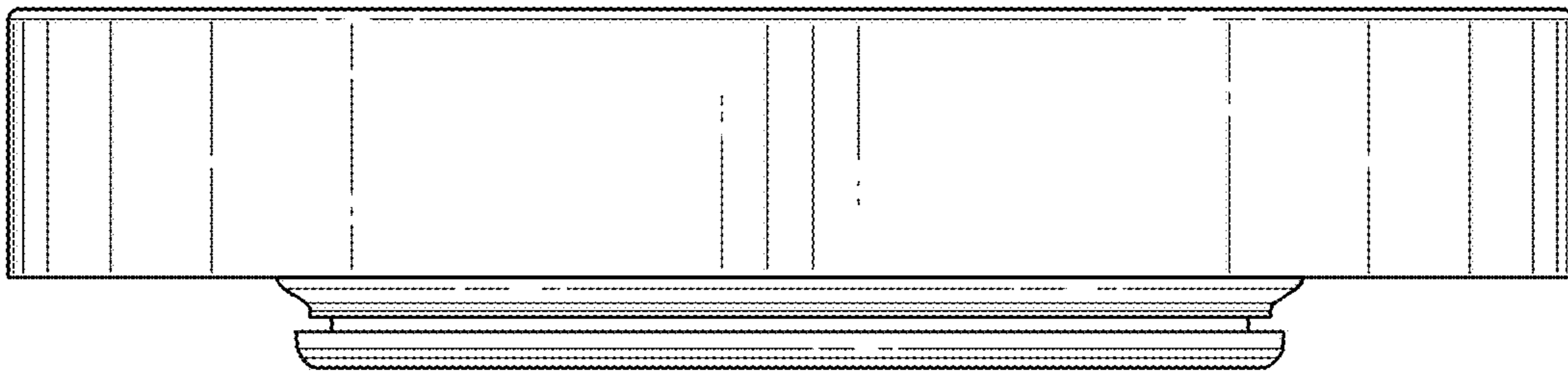


FIG. 8