



US00D861763S

(12) **United States Design Patent**
Liu et al.

(10) **Patent No.:** **US D861,763 S**
(45) **Date of Patent:** **** Oct. 1, 2019**

(54) **CAMERA**
(71) Applicant: **DYNACOLOR, INC.**, Taipei (TW)
(72) Inventors: **Tsung-Ti Liu**, Taipei (TW);
Chung-Hsing Wang, Taipei (TW)
(73) Assignee: **DYNACOLOR, INC.**, Taipei (TW)
(**) Term: **15 Years**

(21) Appl. No.: **29/664,829**
(22) Filed: **Sep. 28, 2018**
(51) **LOC (12) Cl.** **16-01**
(52) **U.S. Cl.**
USPC **D16/203**
(58) **Field of Classification Search**
USPC D16/200, 202–206, 218, 219, 242;
348/143, 148, 151, 373–376; 396/419,
396/427, 535, 539–541
CPC G03B 17/02; G03B 19/04; G03B 17/56;
G03B 17/04; G03B 15/03; H04N 5/2251;
H04N 5/2252; H04N 5/2253; H04N
5/2254; H04N 7/181; H04N 7/183; H04N
7/18; G08B 13/1963; G08B 13/19619;
G08B 13/19632; F16M 11/04; F16M
13/00
See application file for complete search history.

(56) **References Cited**
U.S. PATENT DOCUMENTS

D542,319 S * 5/2007 Ishida D16/202
D552,650 S * 10/2007 Yamakawa D16/203
D583,845 S * 12/2008 Hayashi D14/130
D609,732 S * 2/2010 Frank D16/203

D626,984 S * 11/2010 Miyaji D16/202
8,695,258 B2 * 4/2014 Kori G09F 7/06
40/663
D723,395 S * 3/2015 Dispenza D10/53
D741,389 S * 10/2015 Park D16/203
D783,076 S * 4/2017 Ravat D16/203
D813,290 S * 3/2018 Song D16/203
D813,926 S * 3/2018 Shin D16/203
D818,027 S * 5/2018 Ravat D16/203
D836,148 S * 12/2018 Jeong D16/203

* cited by examiner

Primary Examiner — Ramzi S Almatrahi

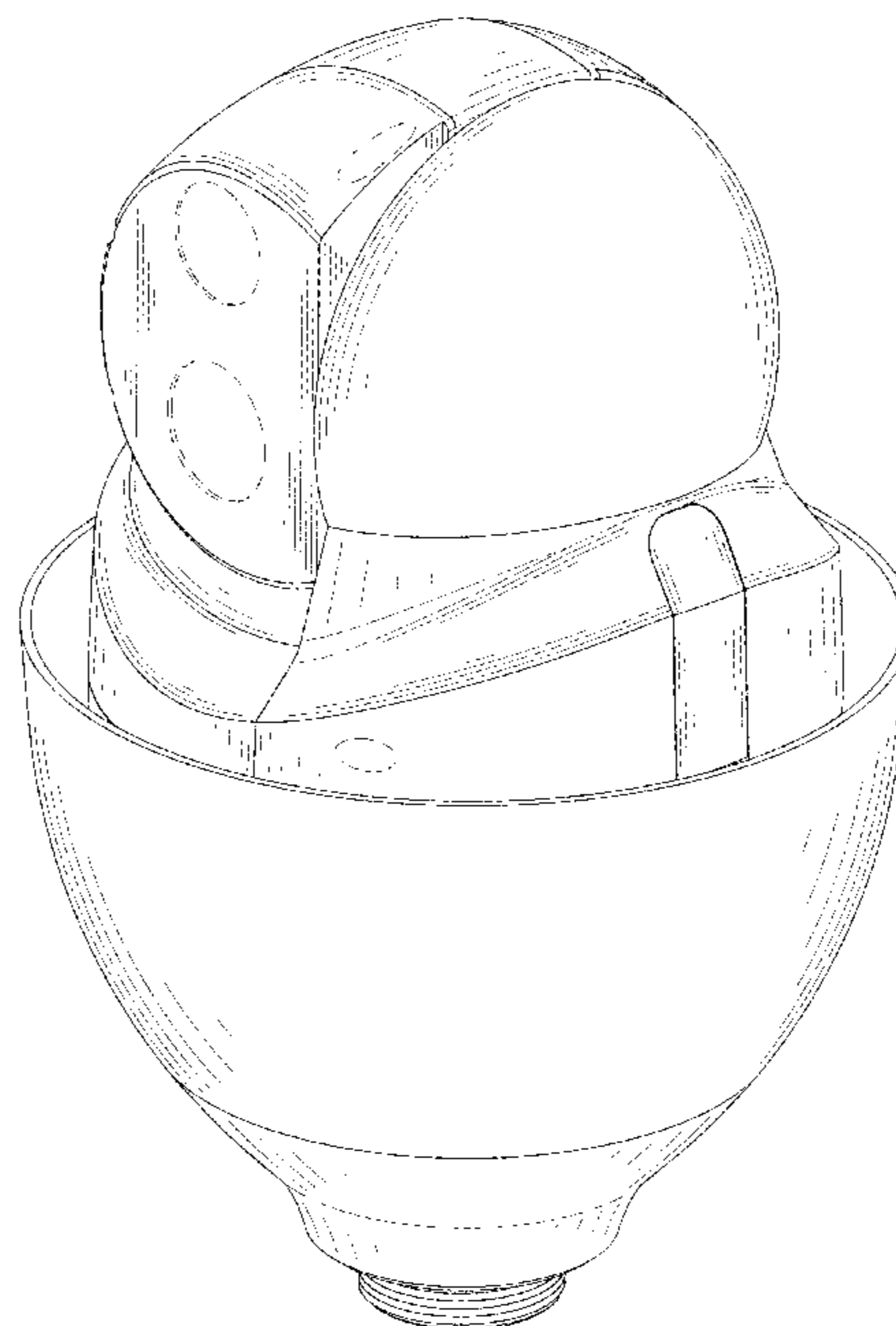
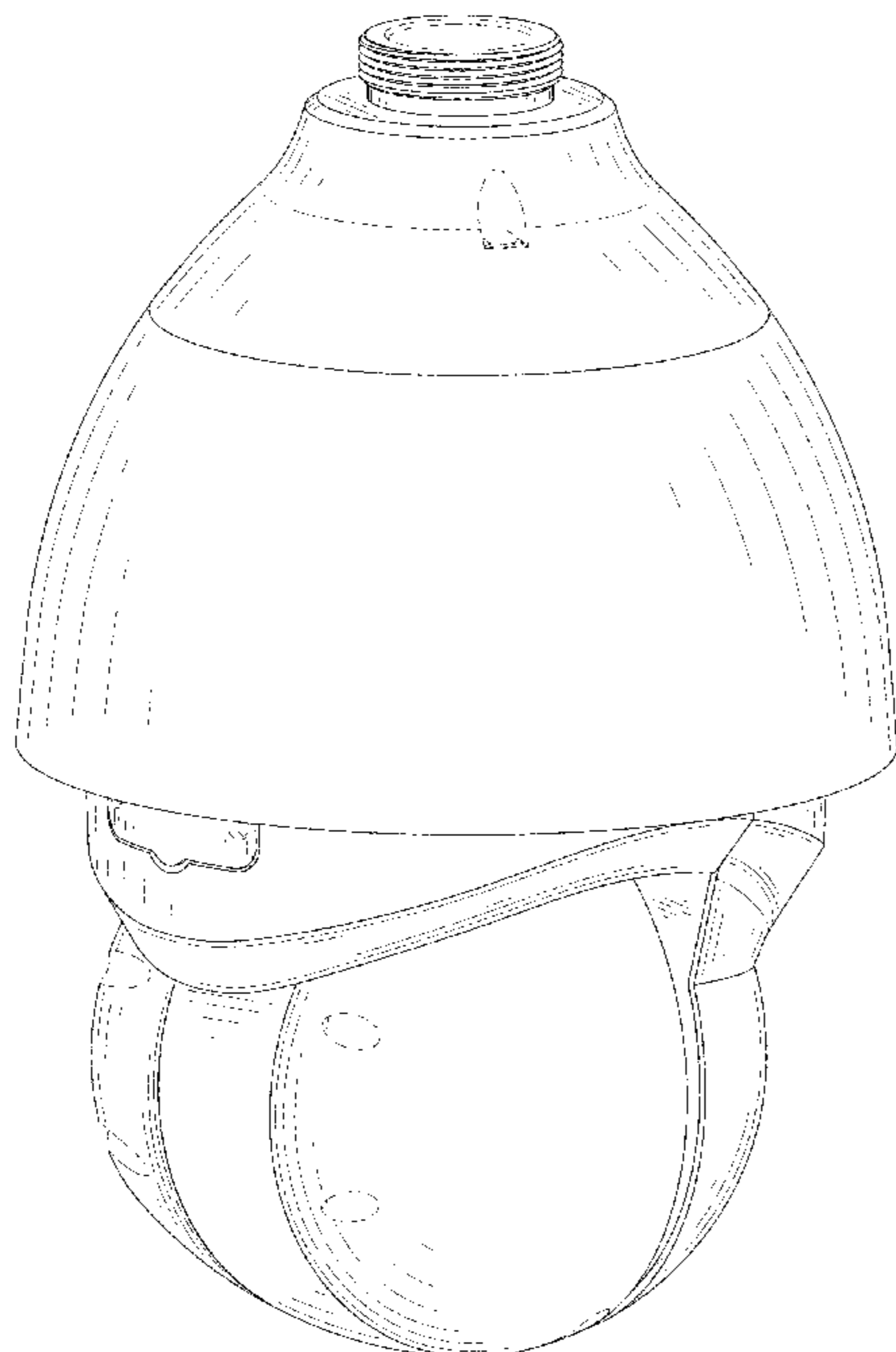
(57) **CLAIM**

The ornamental design for a camera, as shown and described.

DESCRIPTION

FIG. 1 is a top, front and right side perspective view of a camera showing our new design;
FIG. 2 is a bottom, rear and left side perspective view thereof;
FIG. 3 is a front elevational view thereof;
FIG. 4 is a rear elevational view thereof;
FIG. 5 is a left side view thereof;
FIG. 6 is a right side view thereof;
FIG. 7 is a top plan view thereof;
FIG. 8 is a bottom plan view thereof; and,
FIG. 9 is an enlarged view of the circled region 9 in FIG. 5.
The broken lines depict portions of the camera in which the design is embodied that form no part of the claimed design. Additionally, the dot-dash broken lines encircling an enlargement portion of the design forms no part of the claimed design.

1 Claim, 9 Drawing Sheets



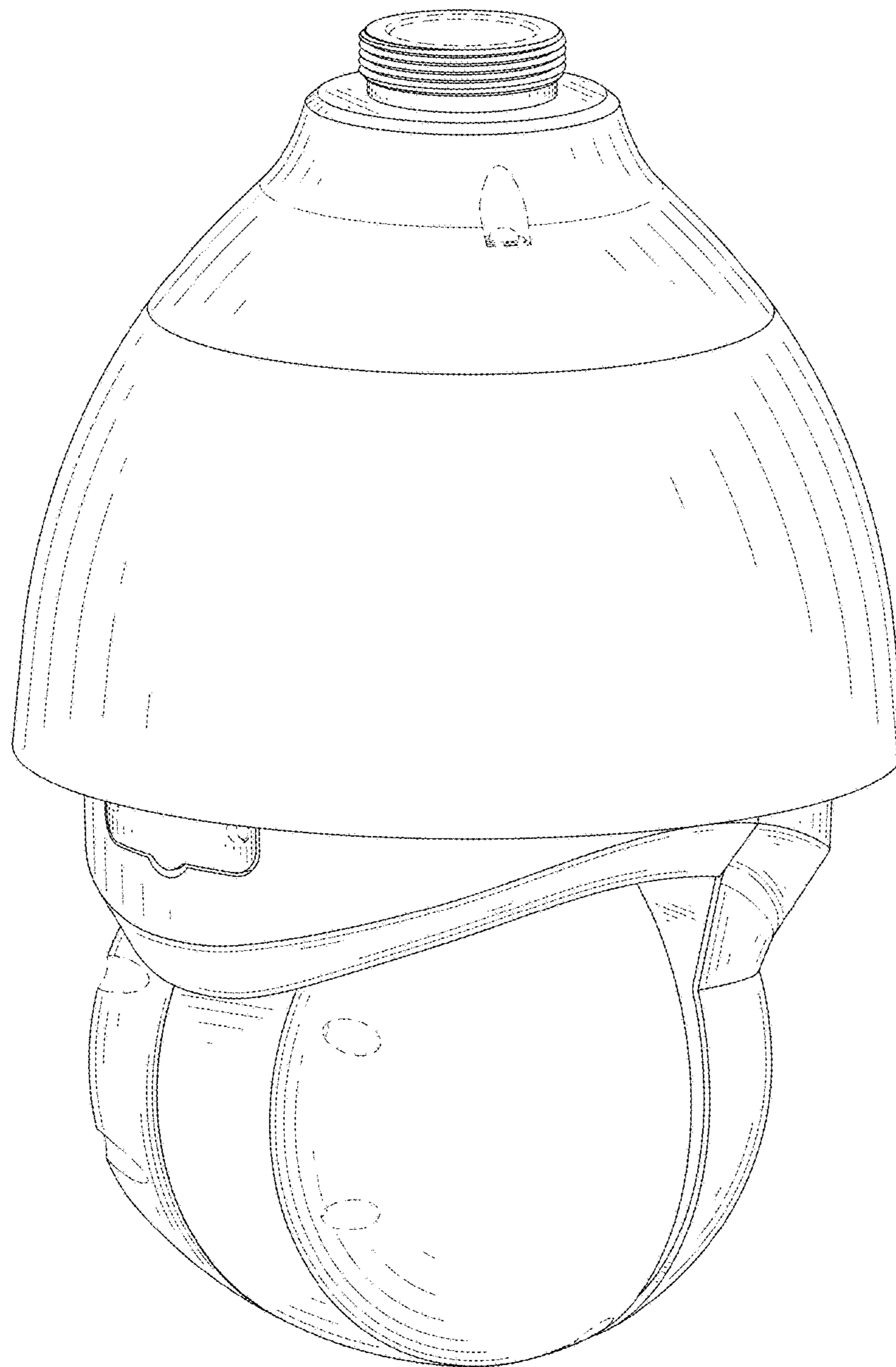


FIG. 1

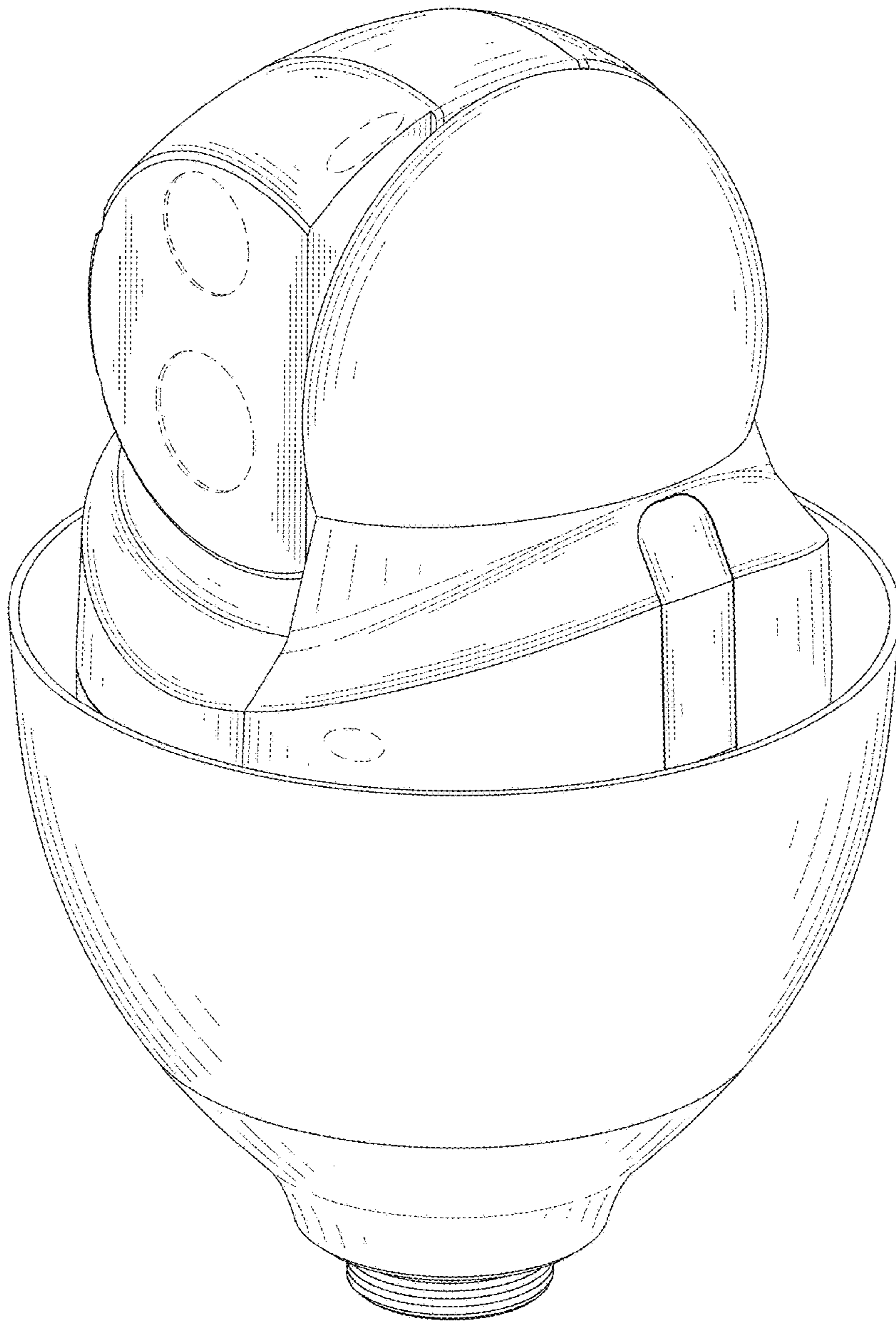


FIG. 2

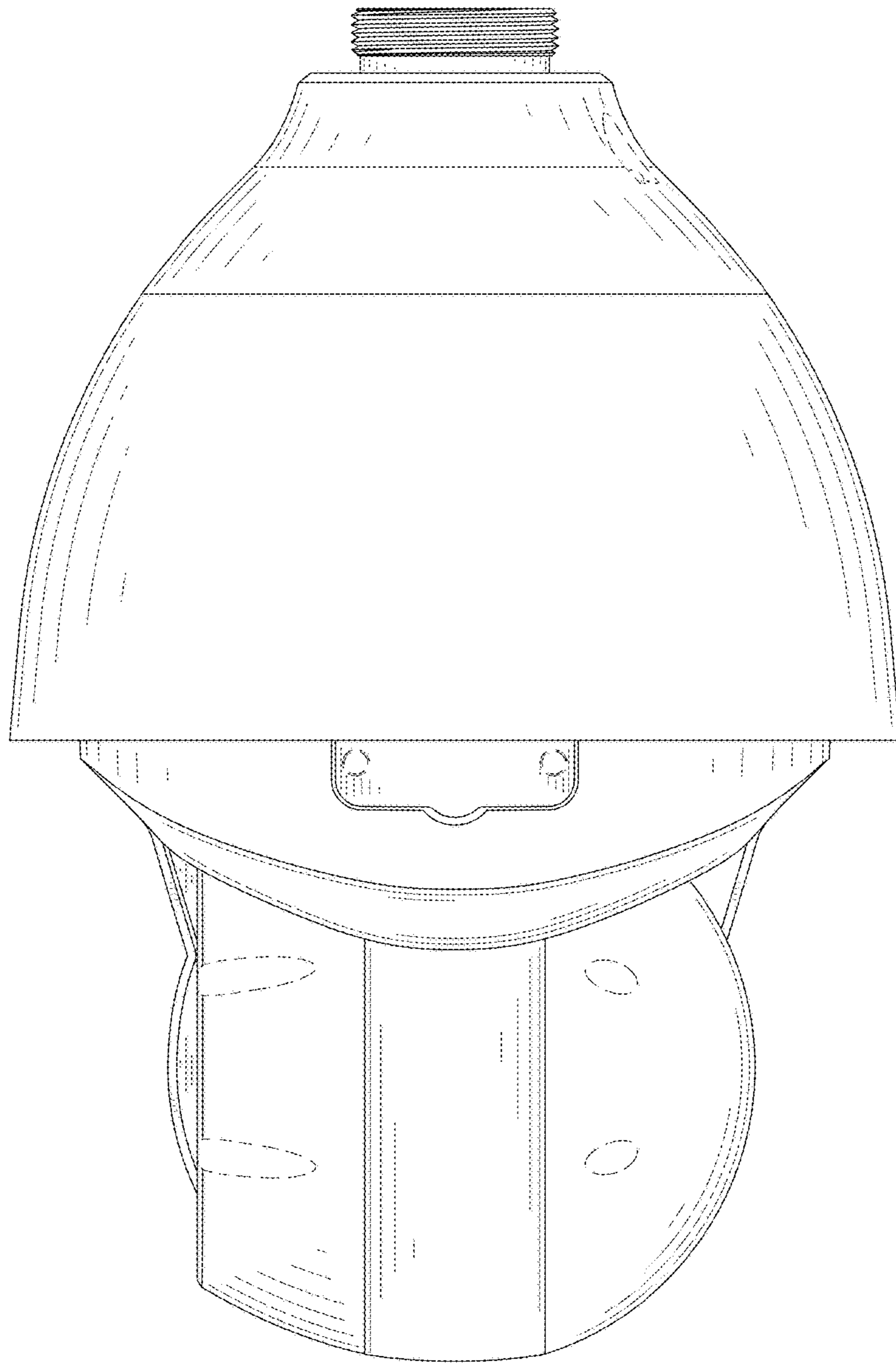


FIG. 3

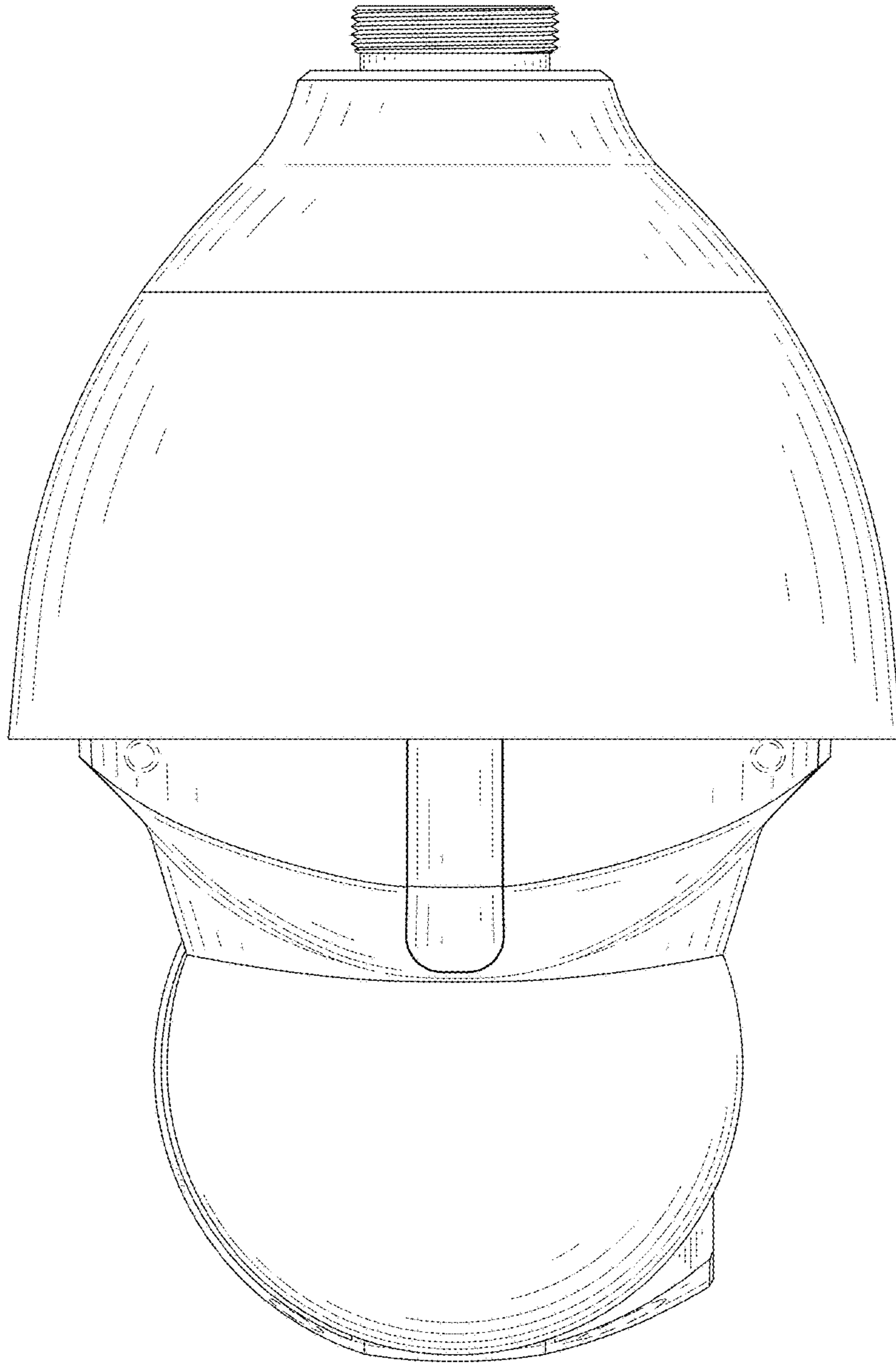


FIG. 4

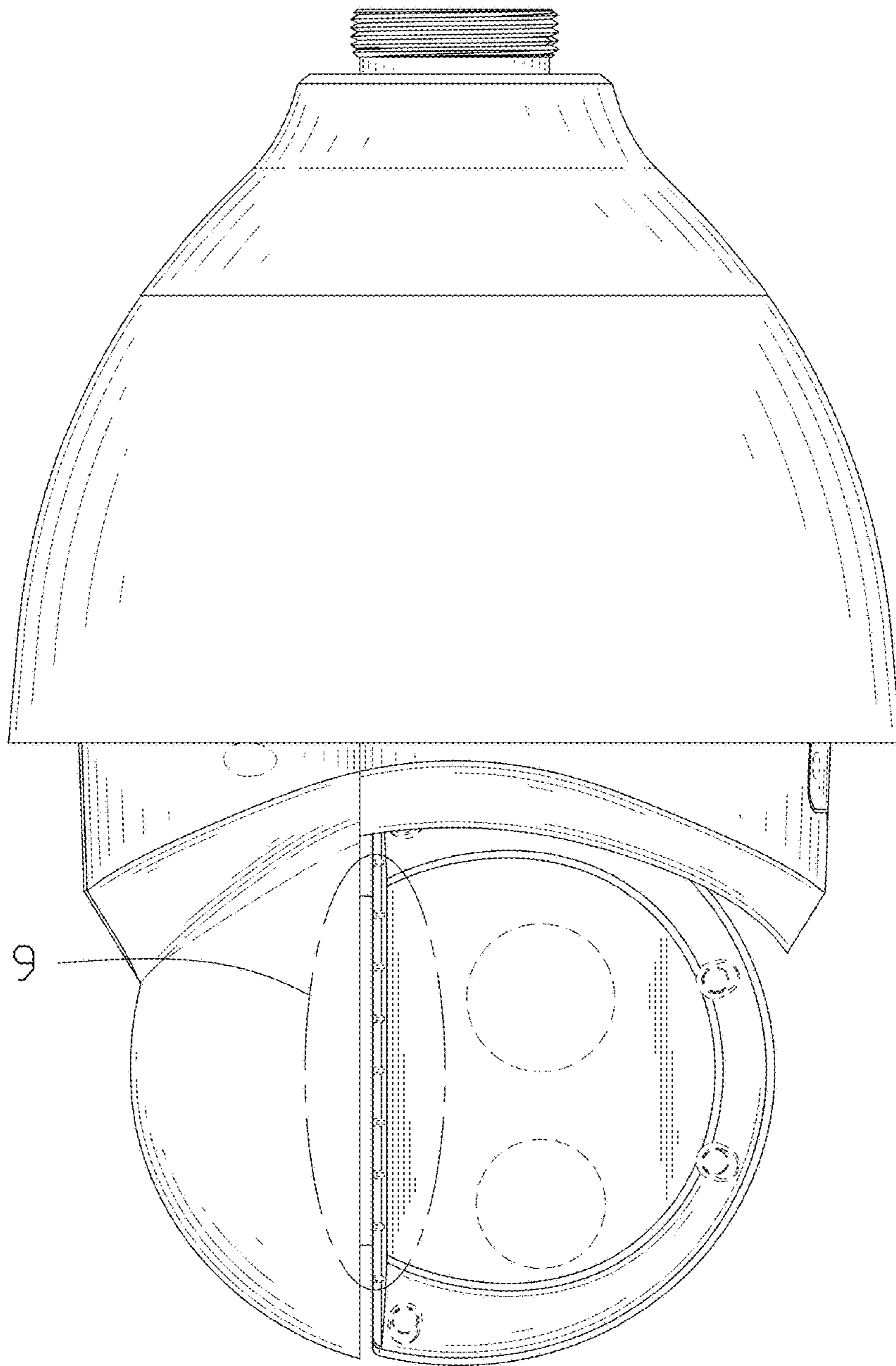


FIG. 5

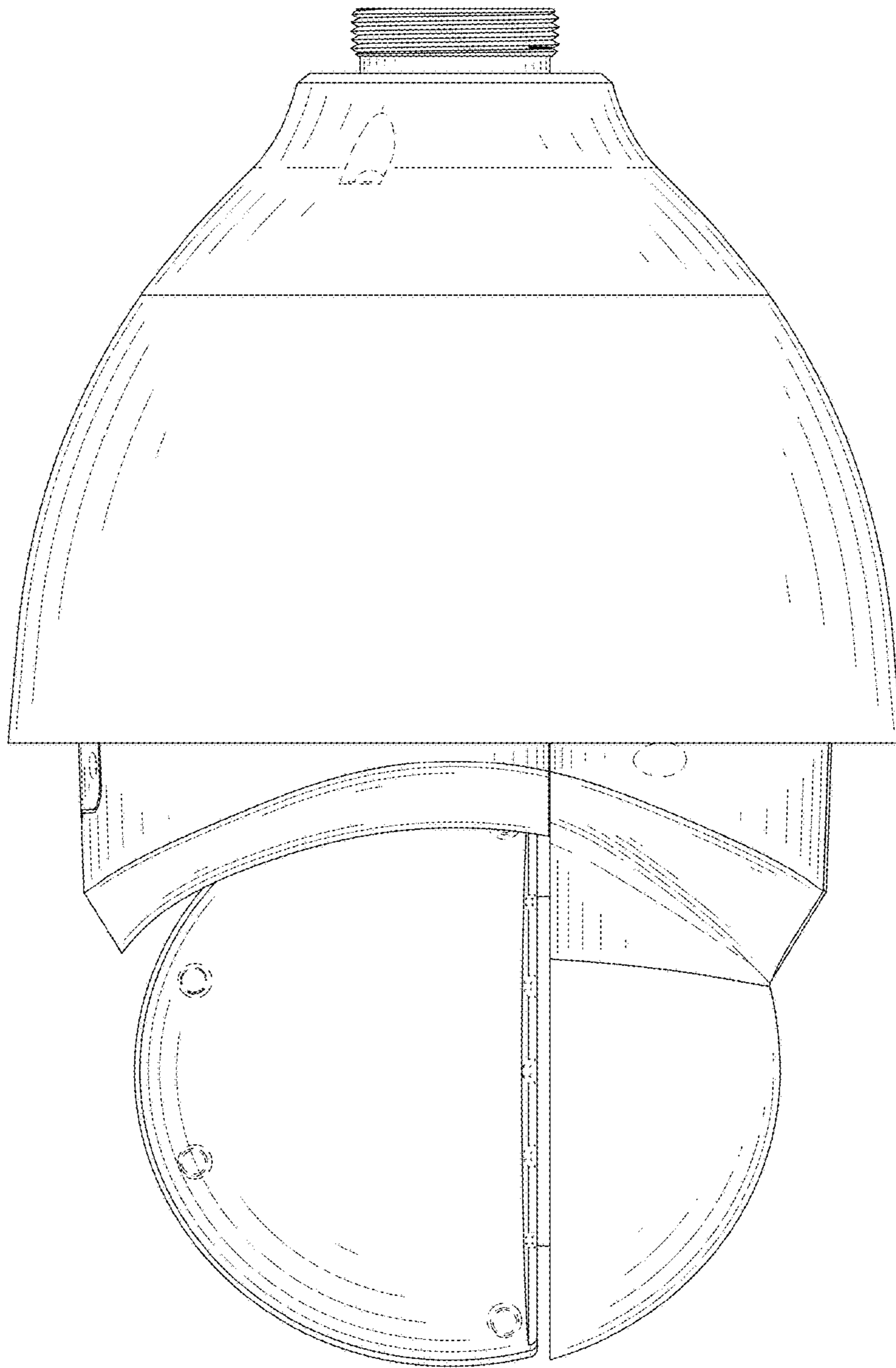


FIG. 6

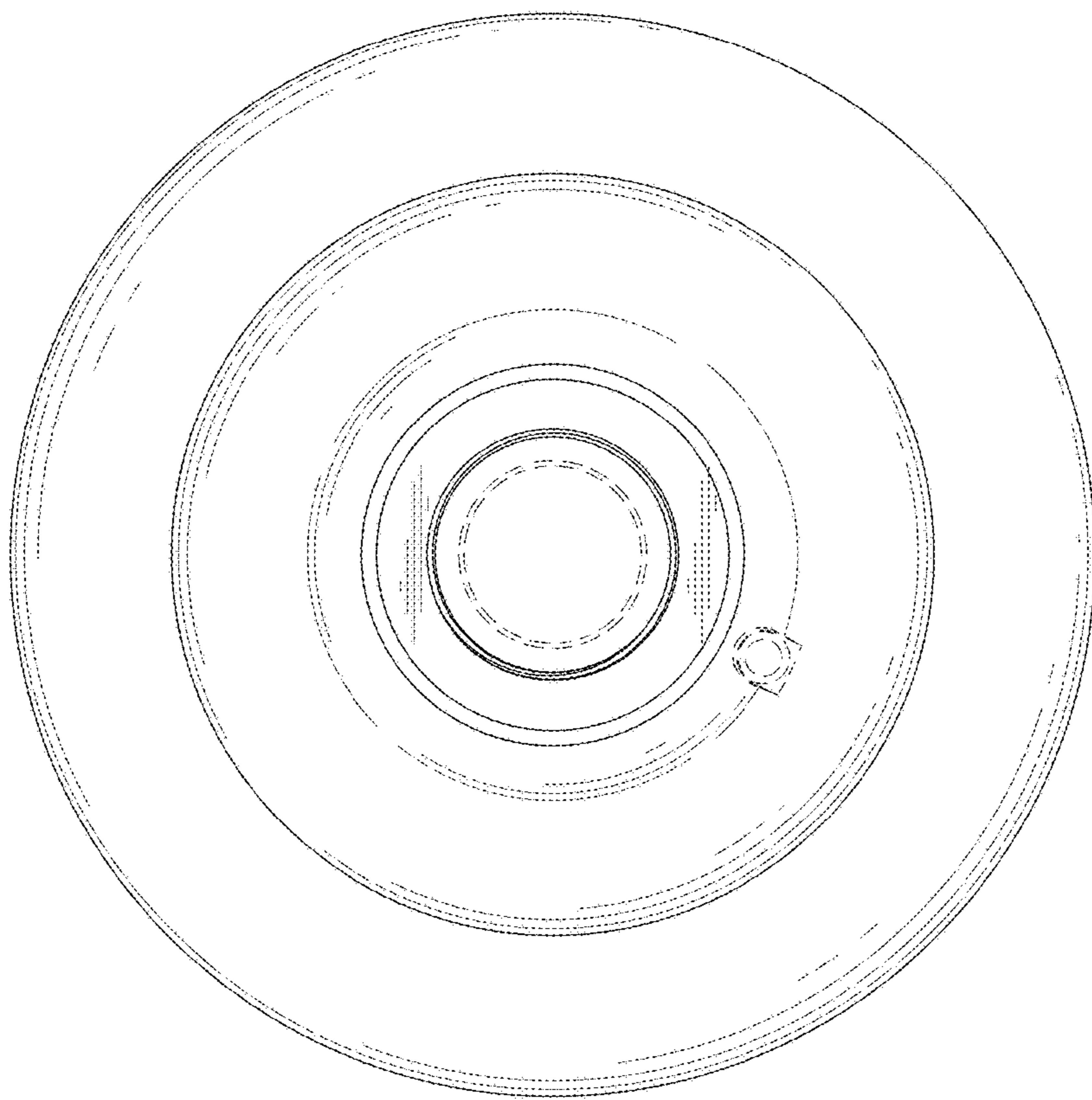


FIG. 7

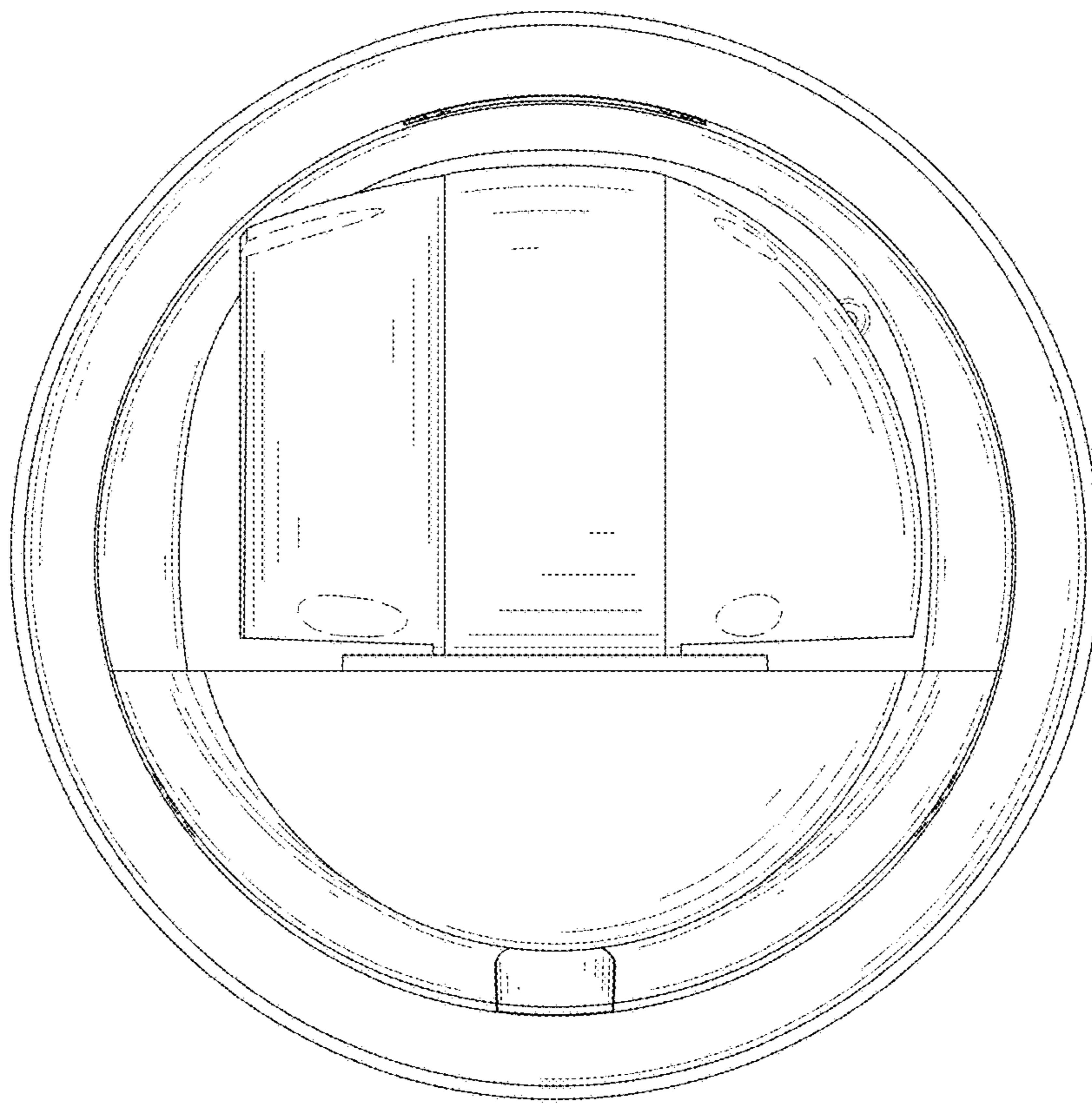


FIG. 8

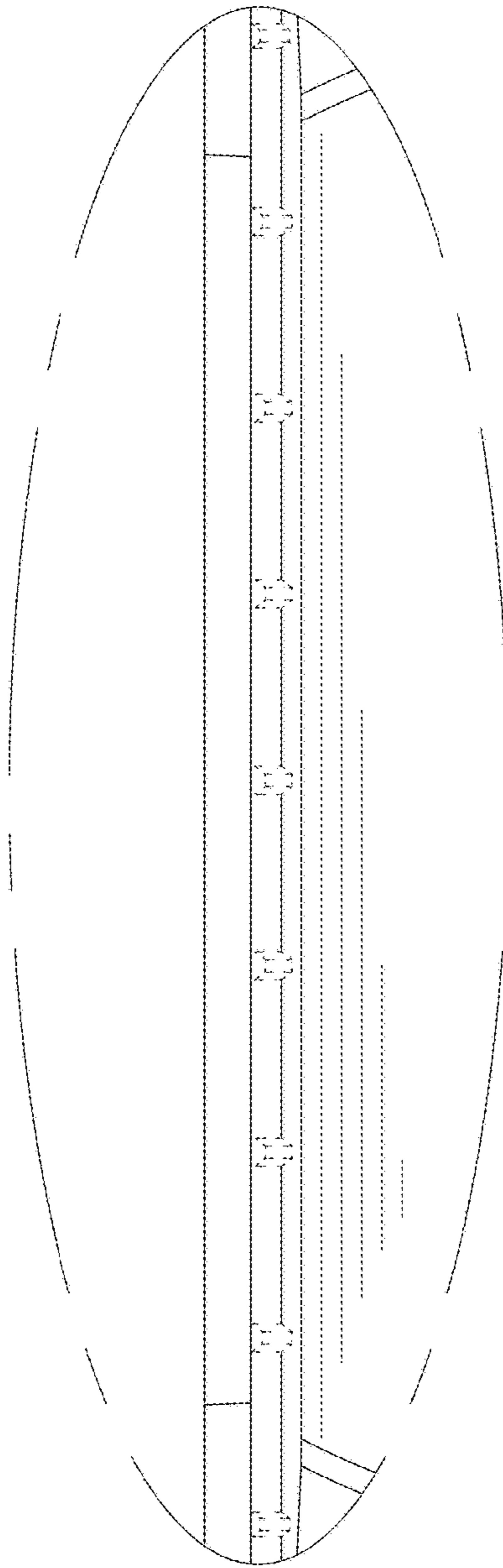


FIG. 9