



US00D861762S

(12) **United States Design Patent**
Gan

(10) **Patent No.:** **US D861,762 S**
(45) **Date of Patent:** **** Oct. 1, 2019**

(54) **BABY MONITOR CAMERA**
(71) Applicant: **Shenzhen Valuelink E-Commerce Co., Ltd.**, Shenzhen (CN)
(72) Inventor: **Qing-Cao Gan**, Shenzhen (CN)
(73) Assignee: **Shenzhen Valuelink E-Commerce Co., Ltd.**, Shenzhen (CN)
(**) Term: **15 Years**
(21) Appl. No.: **29/664,504**
(22) Filed: **Sep. 26, 2018**

D583,845 S * 12/2008 Hayashi D14/130
D609,732 S * 2/2010 Frank D16/203
D626,984 S * 11/2010 Miyaji D16/202
8,695,258 B2 * 4/2014 Kori G09F 7/06
40/663
D723,395 S * 3/2015 Dispenza D10/53
D741,389 S * 10/2015 Park D16/203
D783,076 S * 4/2017 Ravat D16/203
D813,290 S * 3/2018 Song D16/203
D813,926 S * 3/2018 Shin D16/203
D818,027 S * 5/2018 Ravat D16/203
D836,148 S * 12/2018 Jeong D16/203

* cited by examiner

Primary Examiner — Ramzi S Almatrahi
(74) *Attorney, Agent, or Firm* — ScienBiziP, P.C.

(30) **Foreign Application Priority Data**

Mar. 30, 2018 (CN) 2018 3 0130978

(51) **LOC (12) Cl.** **16-01**
(52) **U.S. Cl.**
USPC **D16/203**

(58) **Field of Classification Search**
USPC D16/200, 202–206, 218, 219, 242;
348/143, 148, 151, 373–376; 396/419,
396/427, 535, 539–541
CPC G03B 17/02; G03B 19/04; G03B 17/56;
G03B 17/04; G03B 15/03; H04N 5/2251;
H04N 5/2252; H04N 5/2253; H04N
5/2254; H04N 7/181; H04N 7/183; H04N
7/18; G08B 13/1963; G08B 13/19619;
G08B 13/19632; F16M 11/04; F16M
13/00

See application file for complete search history.

(56) **References Cited**

U.S. PATENT DOCUMENTS

D542,319 S * 5/2007 Ishida D16/202
D552,650 S * 10/2007 Yamakawa D16/203

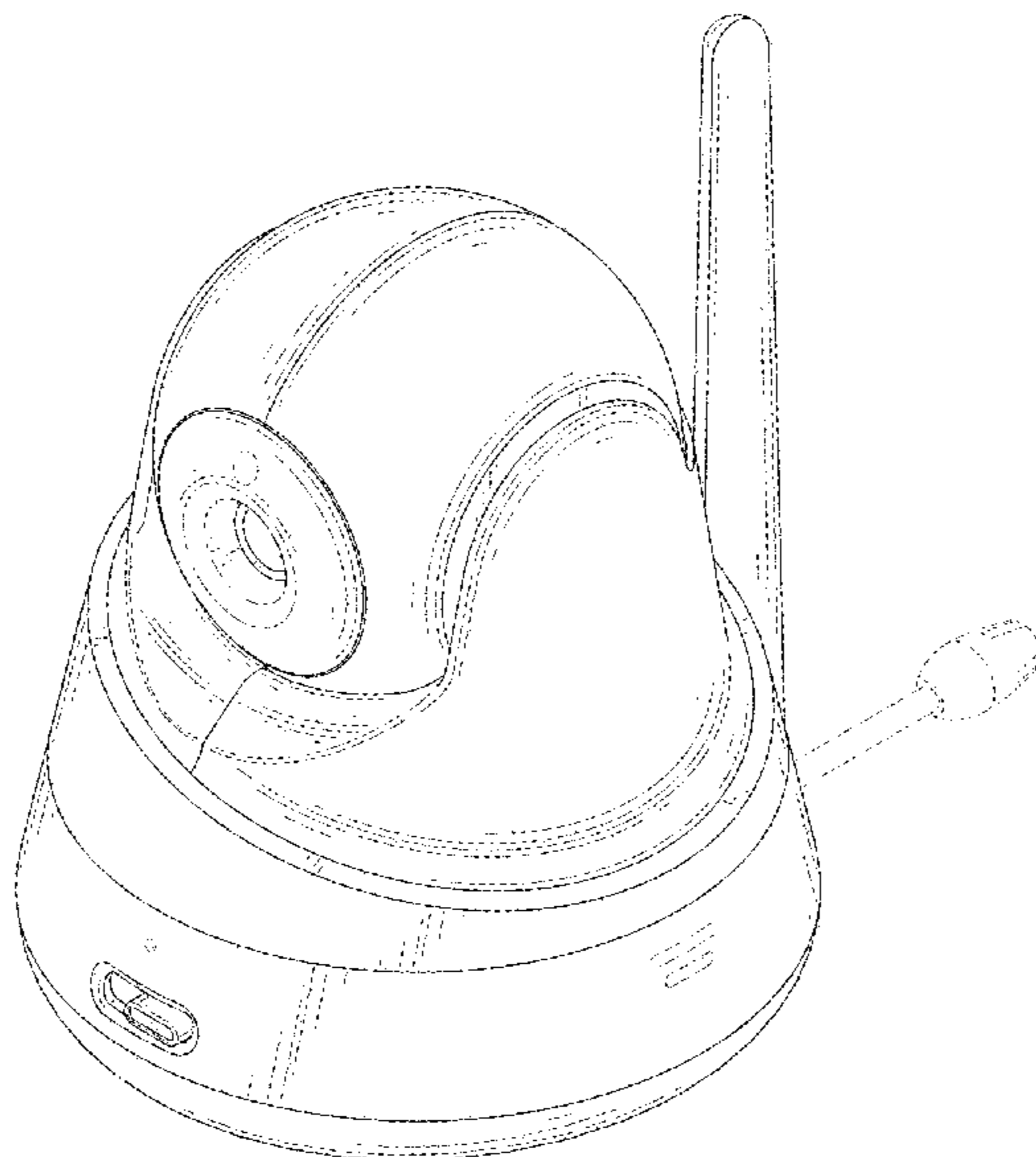
(57) **CLAIM**

The ornamental design for a baby monitor camera, as shown and described.

DESCRIPTION

FIG. 1 is a front perspective view of a baby monitor camera showing my new design;
FIG. 2 is a bottom perspective view thereof;
FIG. 3 is a front elevation view thereof;
FIG. 4 is a rear elevation view thereof;
FIG. 5 is a left side elevation view thereof;
FIG. 6 is a right side elevation view thereof;
FIG. 7 is a top plan view thereof; and,
FIG. 8 is a bottom plan view thereof.
The broken lines depict portions of the baby monitor camera in which the design is embodied that form no part of the claimed design.

1 Claim, 8 Drawing Sheets



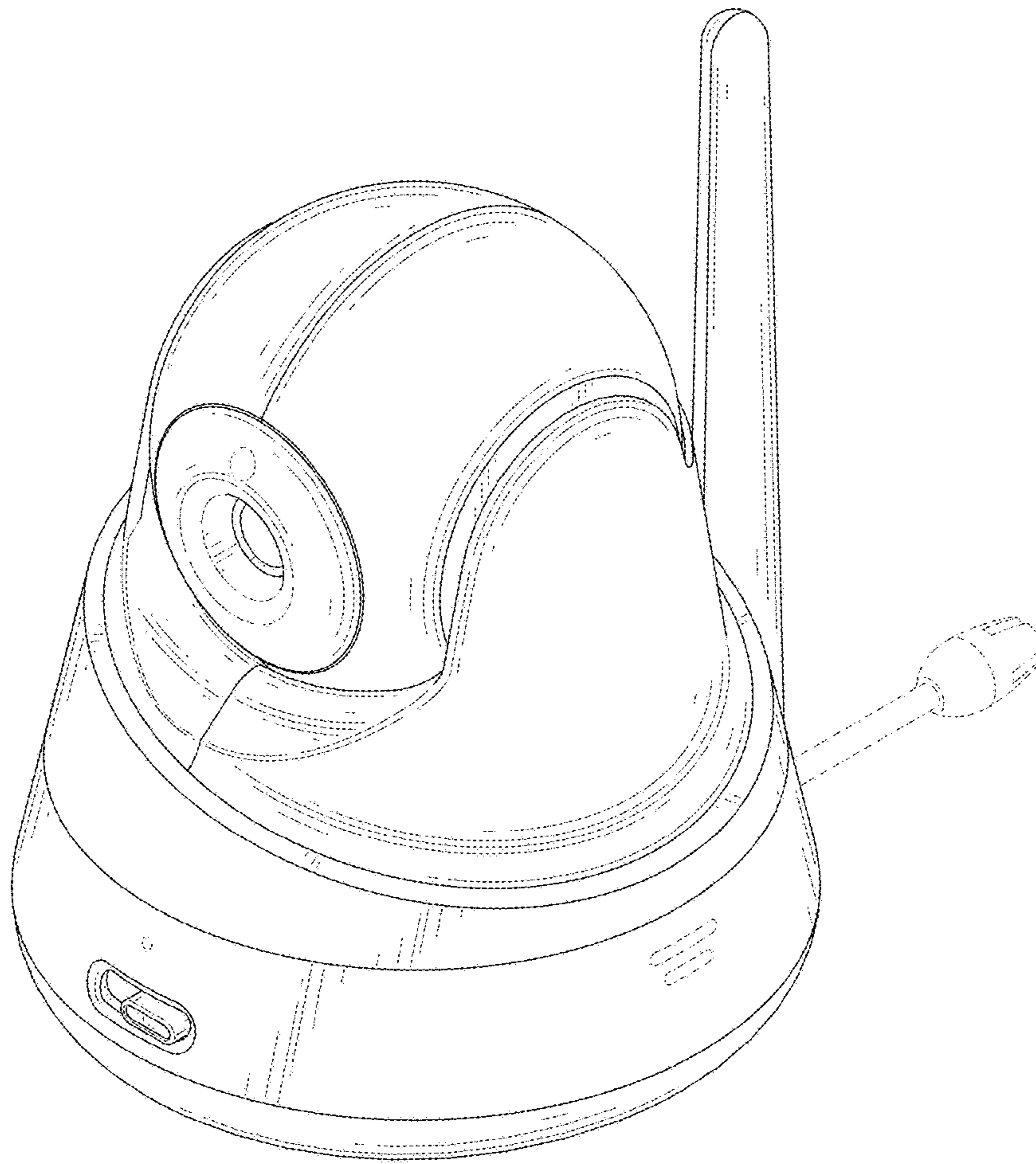


FIG. 1

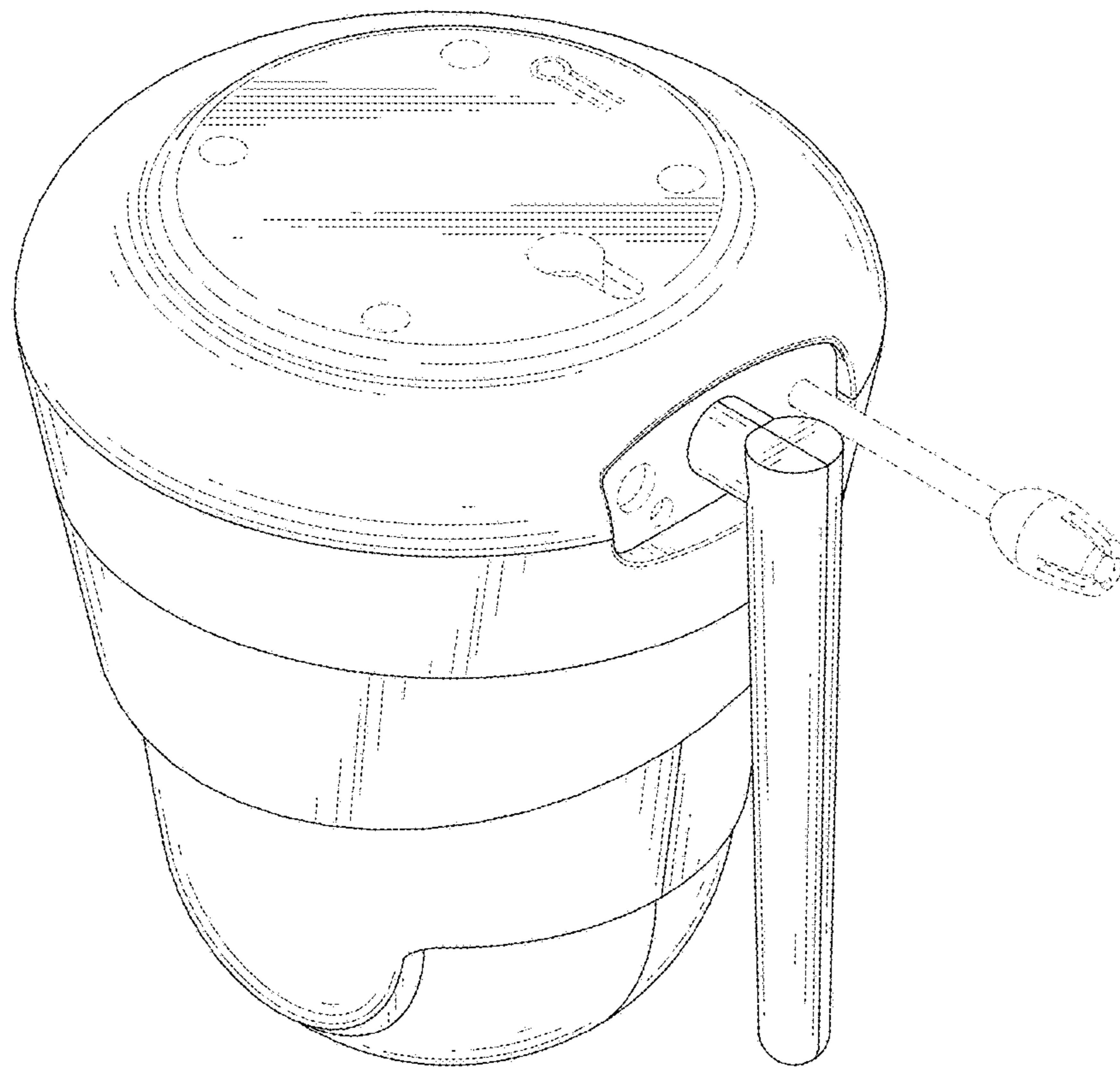


FIG. 2

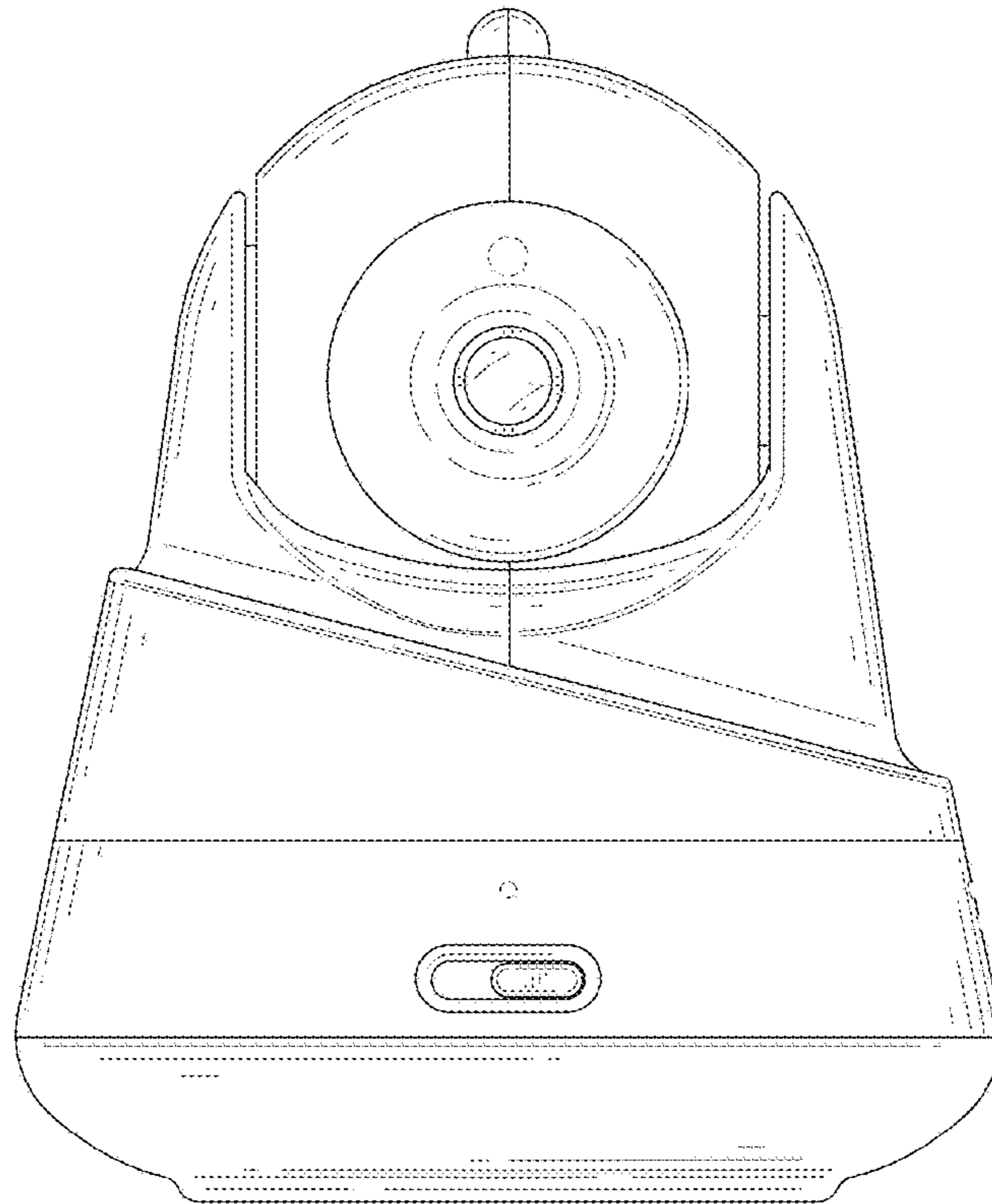


FIG. 3

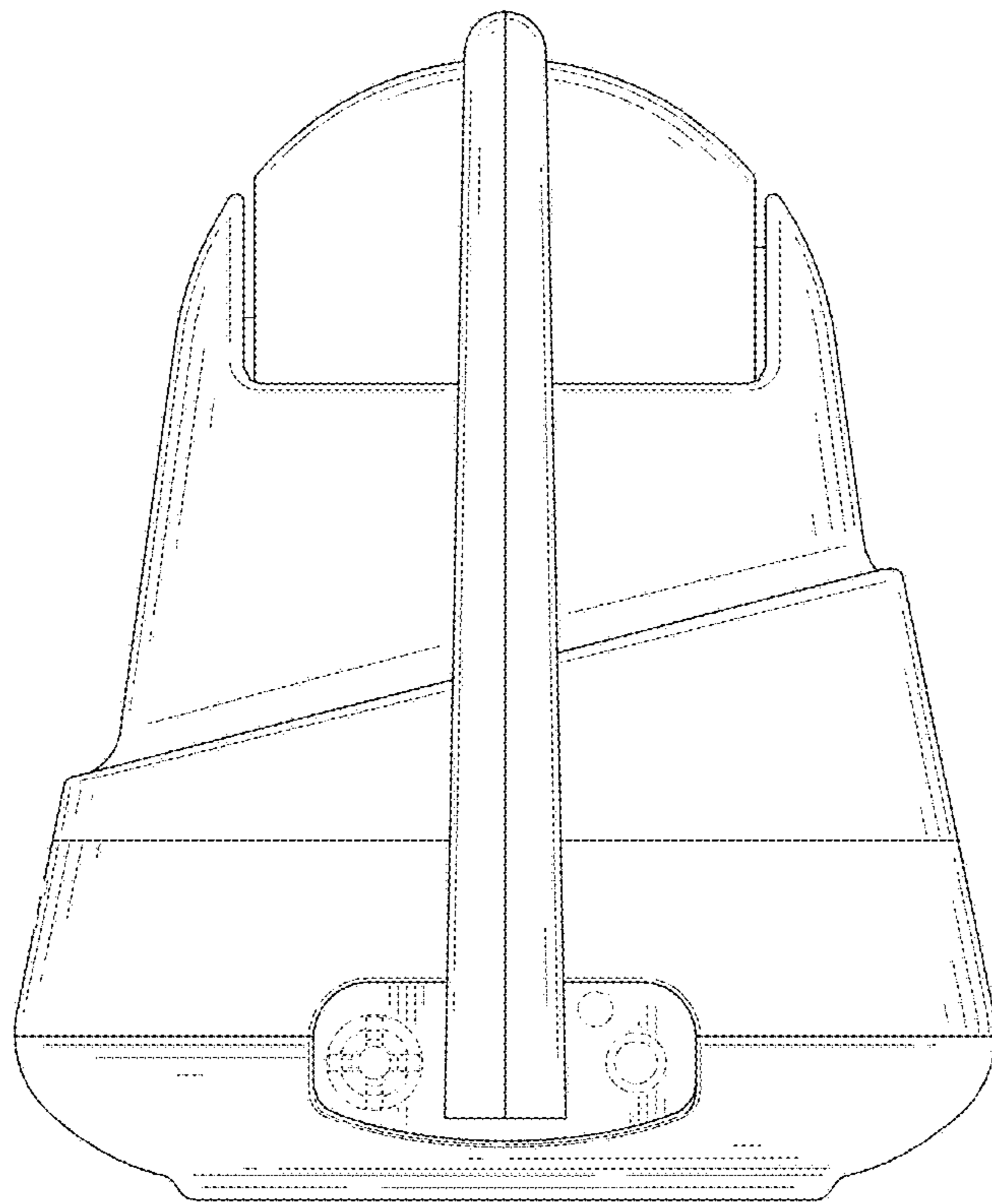


FIG. 4

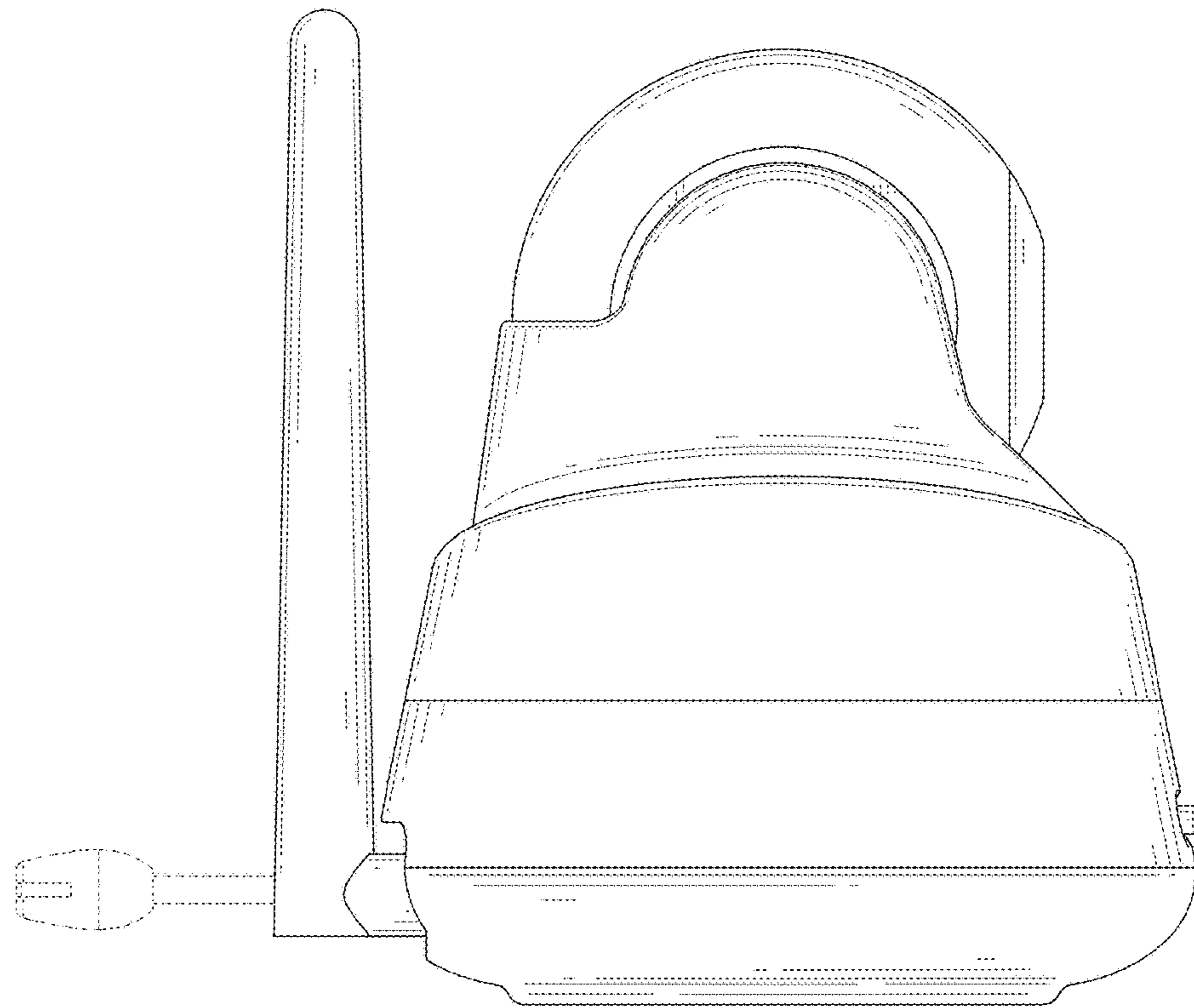


FIG. 5

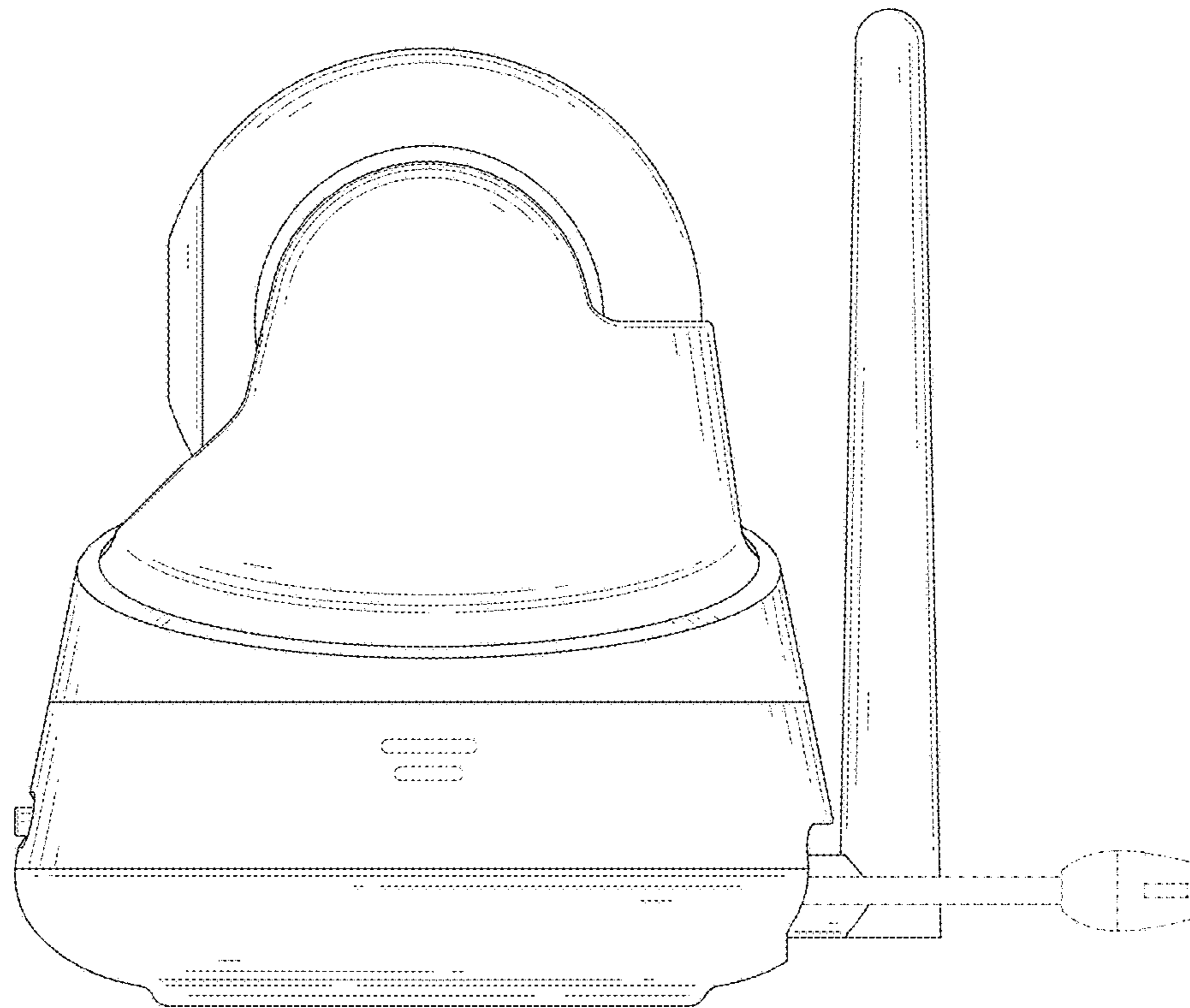


FIG. 6

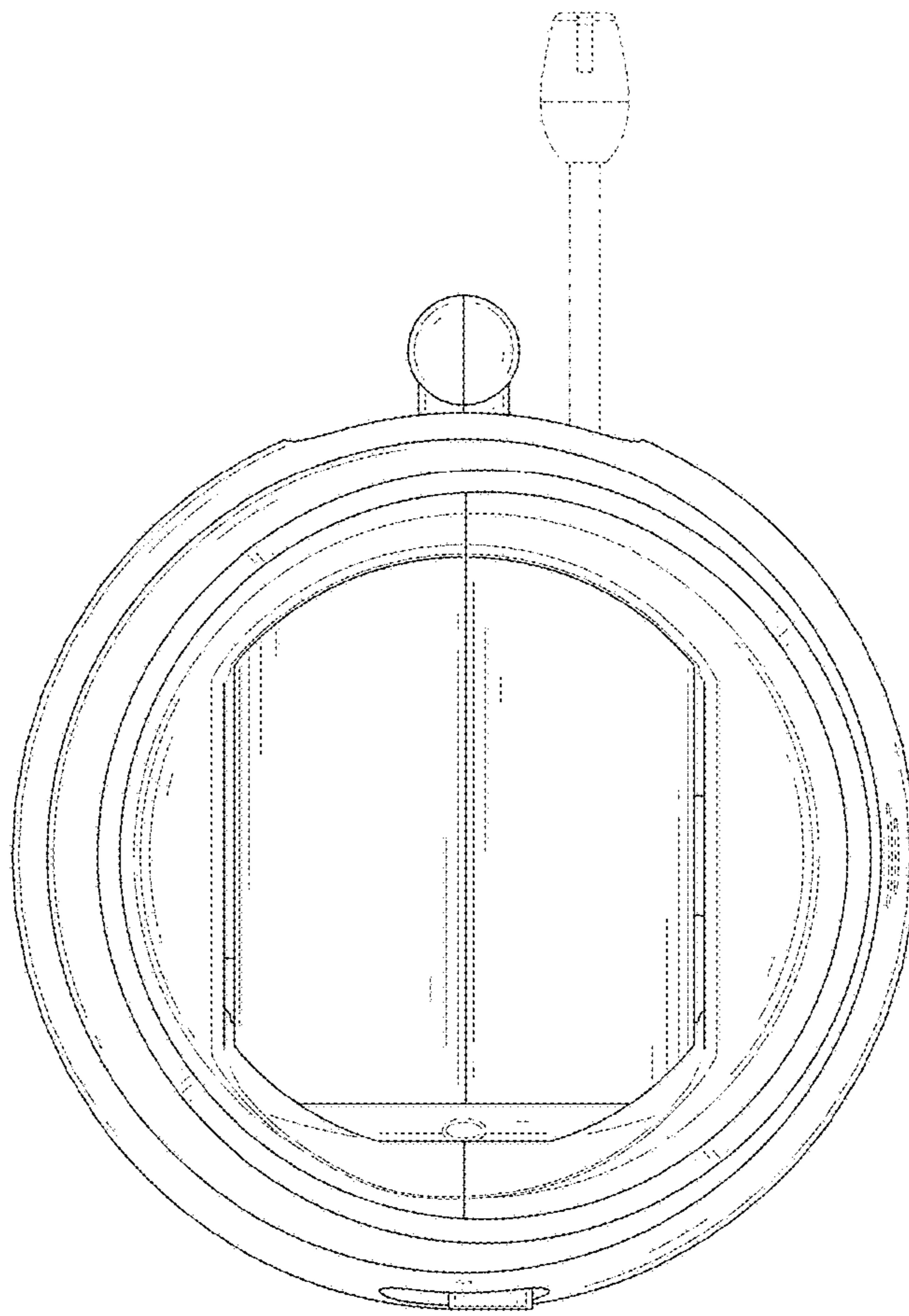


FIG. 7

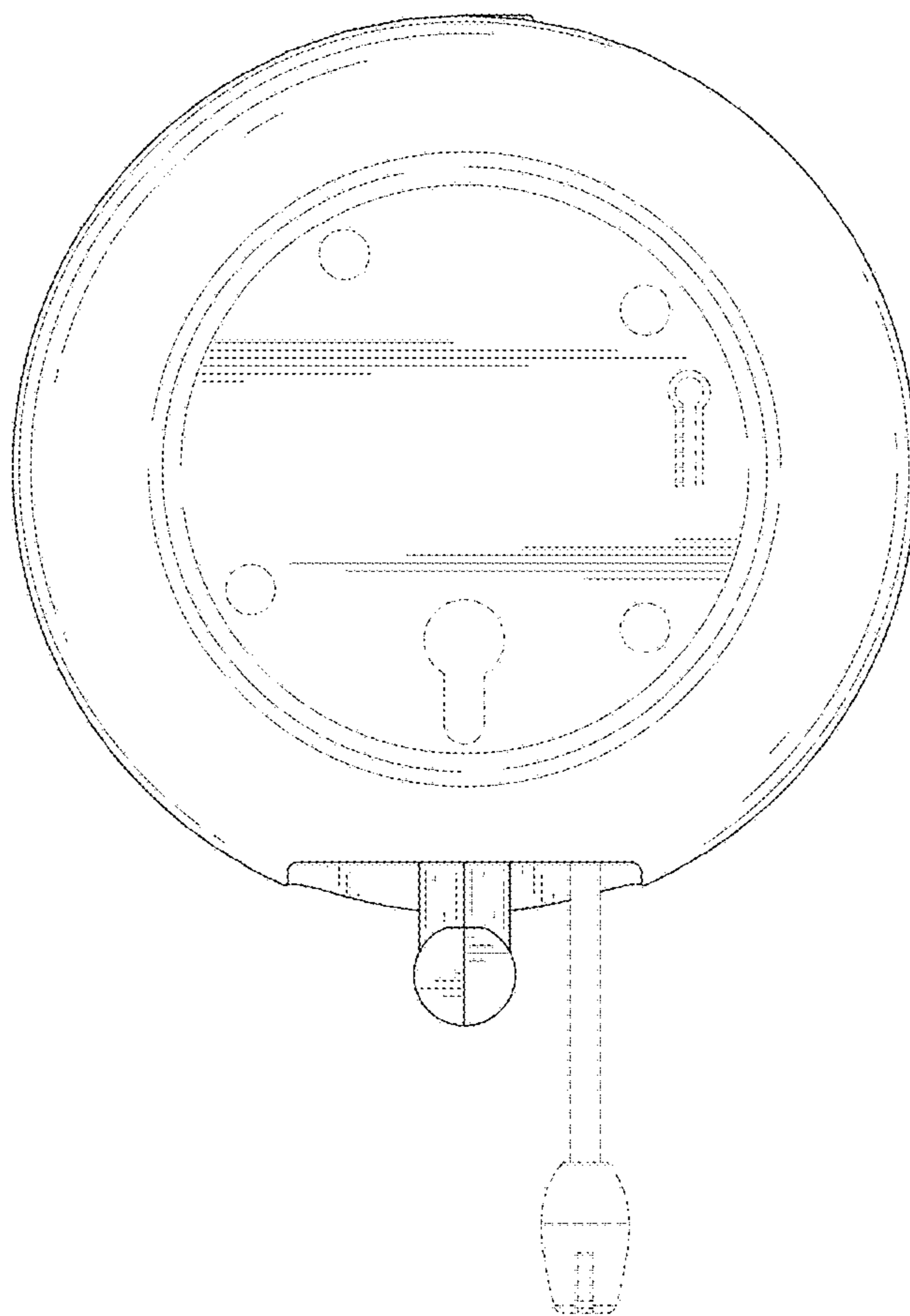


FIG. 8