



US00D861761S

(12) **United States Design Patent**  
**Bergman et al.**

(10) **Patent No.:** **US D861,761 S**

(45) **Date of Patent:** **\*\* Oct. 1, 2019**

(54) **CAMERA HOUSING**

(71) Applicant: **GoPro, Inc.**, San Mateo, CA (US)

(72) Inventors: **Senka Agic Bergman**, Montara, CA (US); **Daniel J. Coster**, San Francisco, CA (US); **Huy Phuong Nguyen**, San Mateo, CA (US); **Jordan Todd**, Piedmont, CA (US); **Erik Jorgensen**, San Francisco, CA (US)

(73) Assignee: **GoPro, Inc.**, San Mateo, CA (US)

(\*\*) Term: **15 Years**

(21) Appl. No.: **29/641,198**

(22) Filed: **Mar. 20, 2018**

(51) **LOC (12) Cl.** ..... **16-01**

(52) **U.S. Cl.**  
USPC ..... **D16/200**

(58) **Field of Classification Search**  
USPC ..... D16/200, 202–206, 208–209, 212, 218,  
D16/219; 348/373–376; 396/448, 535,  
396/539–541

(Continued)

(56) **References Cited**

**U.S. PATENT DOCUMENTS**

8,014,656 B2 \* 9/2011 Woodman ..... B63B 25/002  
396/25  
D647,554 S \* 10/2011 Yim ..... D16/204

(Continued)

**OTHER PUBLICATIONS**

Silicon Sleeve Cases for the Frame of Your Gopro Hero 5 , retrieved from URL: <https://www.amazon.com/Silicone-Sleeve-Cases-Frame-Gopro/dp/B01NCQ3GOY>, retrieved Mar. 30, 2018 (6 pages).

(Continued)

*Primary Examiner* — Philip S Hyder  
*Assistant Examiner* — Ramzi S Almatrahi

(74) *Attorney, Agent, or Firm* — Young Basile Hanlon & MacFarlane, P.C.

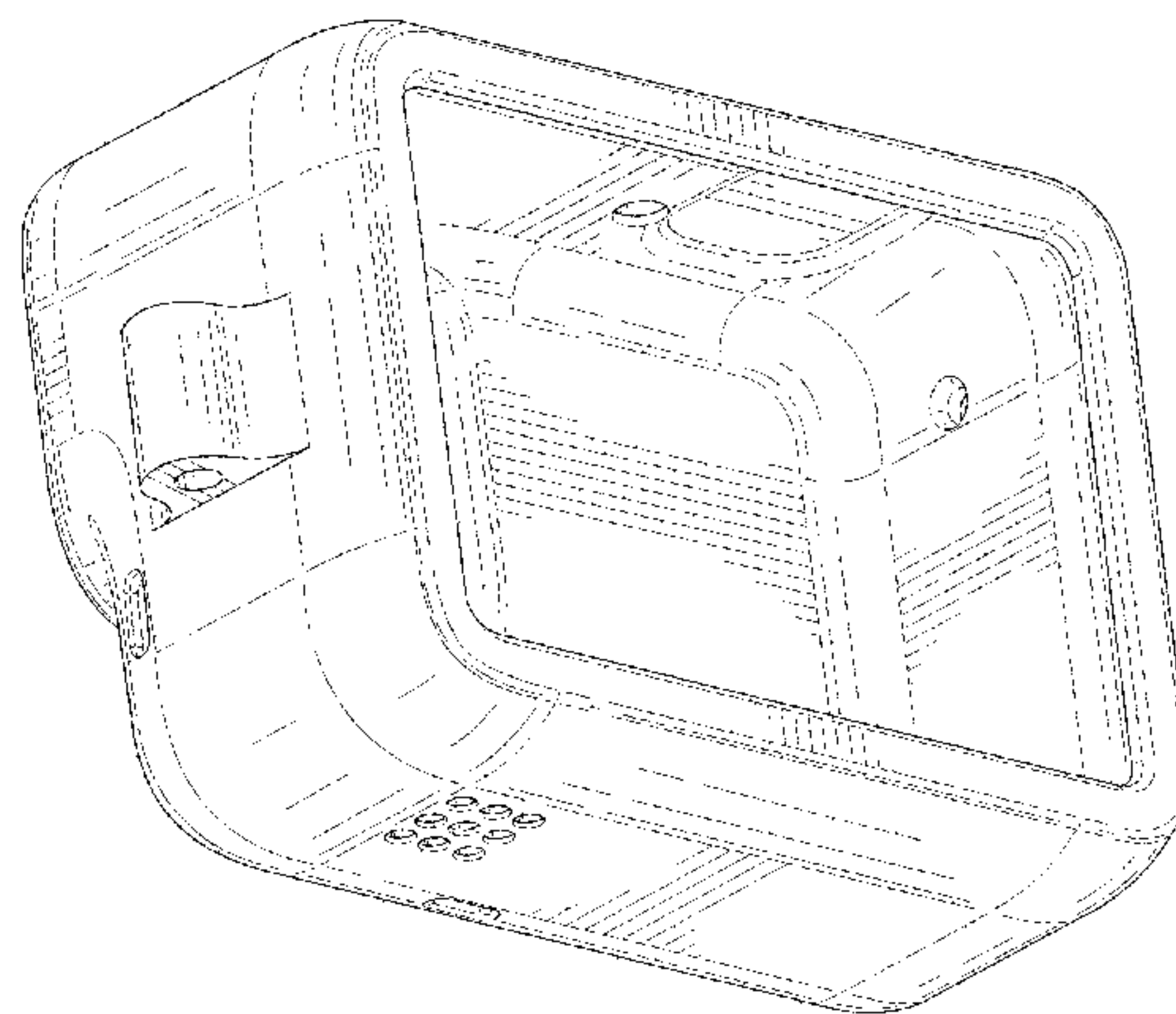
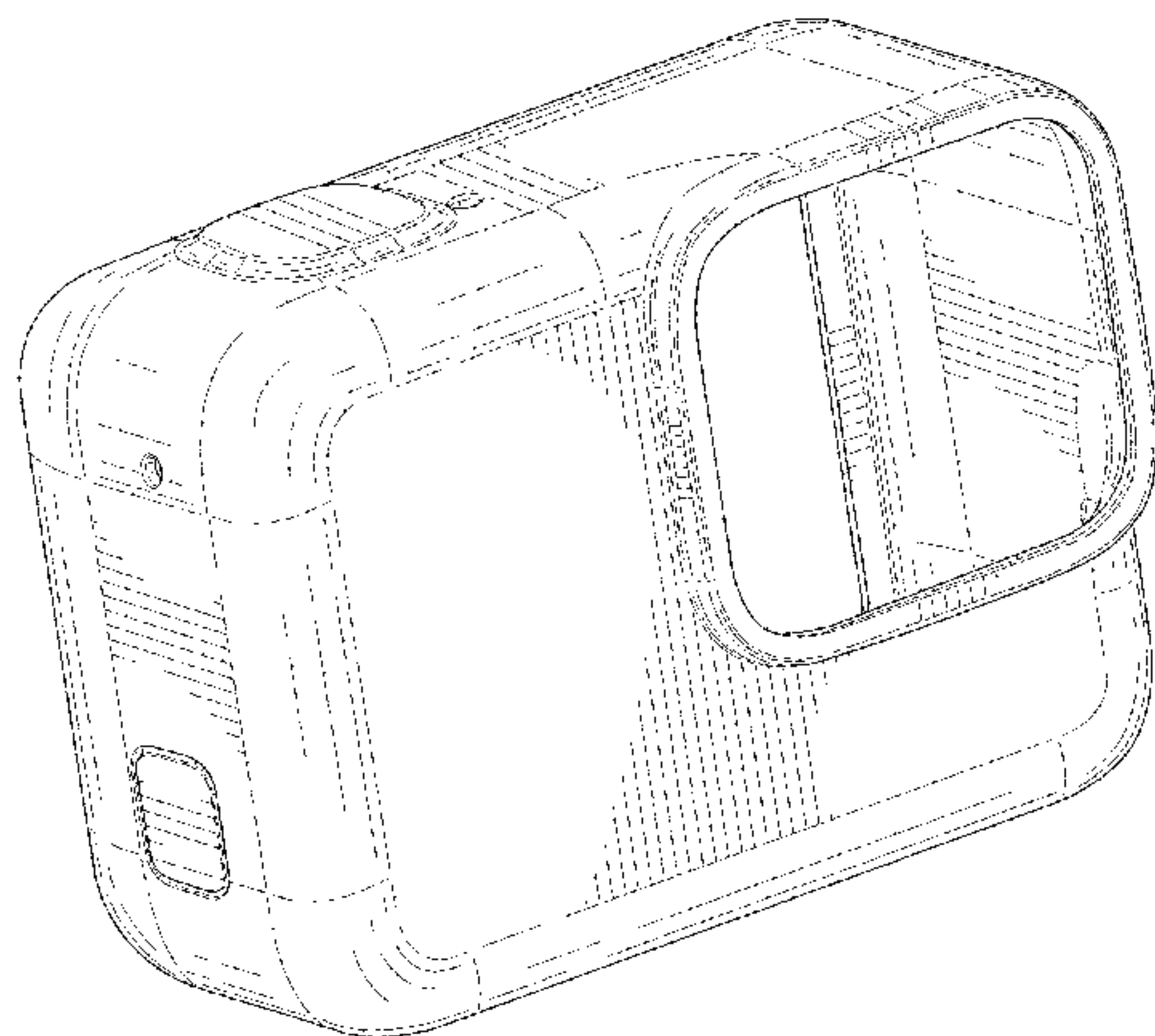
(57) **CLAIM**

The ornamental design for a camera housing, as shown and described.

**DESCRIPTION**

FIG. 1 is a top, front, and left side perspective view of a first embodiment of a camera housing.  
FIG. 2 is a bottom, rear, and right side perspective view of the camera housing shown in FIG. 1.  
FIG. 3 is a front elevation view of the camera housing shown in FIG. 1.  
FIG. 4 is a rear elevation view of the camera housing shown in FIG. 1.  
FIG. 5 is a top plan view of the camera housing shown in FIG. 1.  
FIG. 6 is a bottom plan view of the camera housing shown in FIG. 1.  
FIG. 7 is a left side elevation view of the camera housing shown in FIG. 1.  
FIG. 8 is a right side elevation view of the camera housing shown in FIG. 1.  
FIG. 9 is a top, front, and left side perspective view of a second embodiment of a camera housing.  
FIG. 10 is a bottom, rear, and right side perspective view of the camera housing shown in FIG. 9.  
FIG. 11 is a front elevation view of the camera housing shown in FIG. 9.  
FIG. 12 is a rear elevation view of the camera housing shown in FIG. 9.  
FIG. 13 is a top plan view of the camera housing shown in FIG. 9.  
FIG. 14 is a bottom plan view of the camera housing shown in FIG. 9.  
FIG. 15 is a left side elevation view of the camera housing shown in FIG. 9; and,  
FIG. 16 is a right side elevation view of the camera housing shown in FIG. 9.

(Continued)



The broken lines in the drawings are included for the purpose of illustrating environmental subject matter and form no part of the claimed design.

**1 Claim, 14 Drawing Sheets**

**(58) Field of Classification Search**

CPC ..... G03B 15/03; G03B 17/02; G03B 17/04;  
G03B 17/56; G03B 19/04; H04N 5/2251;  
H04N 5/2252; H04N 5/2253; H04N  
5/2254; H04N 2101/00

See application file for complete search history.

**(56) References Cited**

**U.S. PATENT DOCUMENTS**

8,544,643	B2 *	10/2013	Yim .....	G03B 17/08
				206/316.2
D710,922	S *	8/2014	Gioscia .....	D16/200

D739,451	S *	9/2015	Gioscia .....	D16/200
D750,680	S *	3/2016	Chen .....	D16/200
D760,309	S *	6/2016	Parfitt .....	D16/202
D769,346	S *	10/2016	Nguyen .....	D16/218
D773,546	S *	12/2016	Nguyen .....	D16/218
D776,741	S *	1/2017	Parfitt .....	D16/204
D790,002	S *	6/2017	Nguyen .....	D16/218
D806,775	S *	1/2018	Nguyen .....	D16/218

**OTHER PUBLICATIONS**

Silicon Sleeve for GoPro Her04 Housing—Gocase, retrieved from URL: <https://www.gocase.com/products/silicon-sleeve-for-gopro-hero4-housing>, retrieved Mar. 30, 2018 (2 pages).

Silicone Sleeve Cases for The Frame of your Gopro Hero 5 (1x Frame / 1x Camera Case, Blue + Black), URL: [https://www.amazon.com/DP/B01MR00OPJ/ref=asc\\_df\\_B01MR00OPJ5357481/?tag=hyprod-20&creative=395033&creativeASIN=B01MR00OPJ&linkCode=df0&hvadid=167139098072](https://www.amazon.com/DP/B01MR00OPJ/ref=asc_df_B01MR00OPJ5357481/?tag=hyprod-20&creative=395033&creativeASIN=B01MR00OPJ&linkCode=df0&hvadid=167139098072).

\* cited by examiner

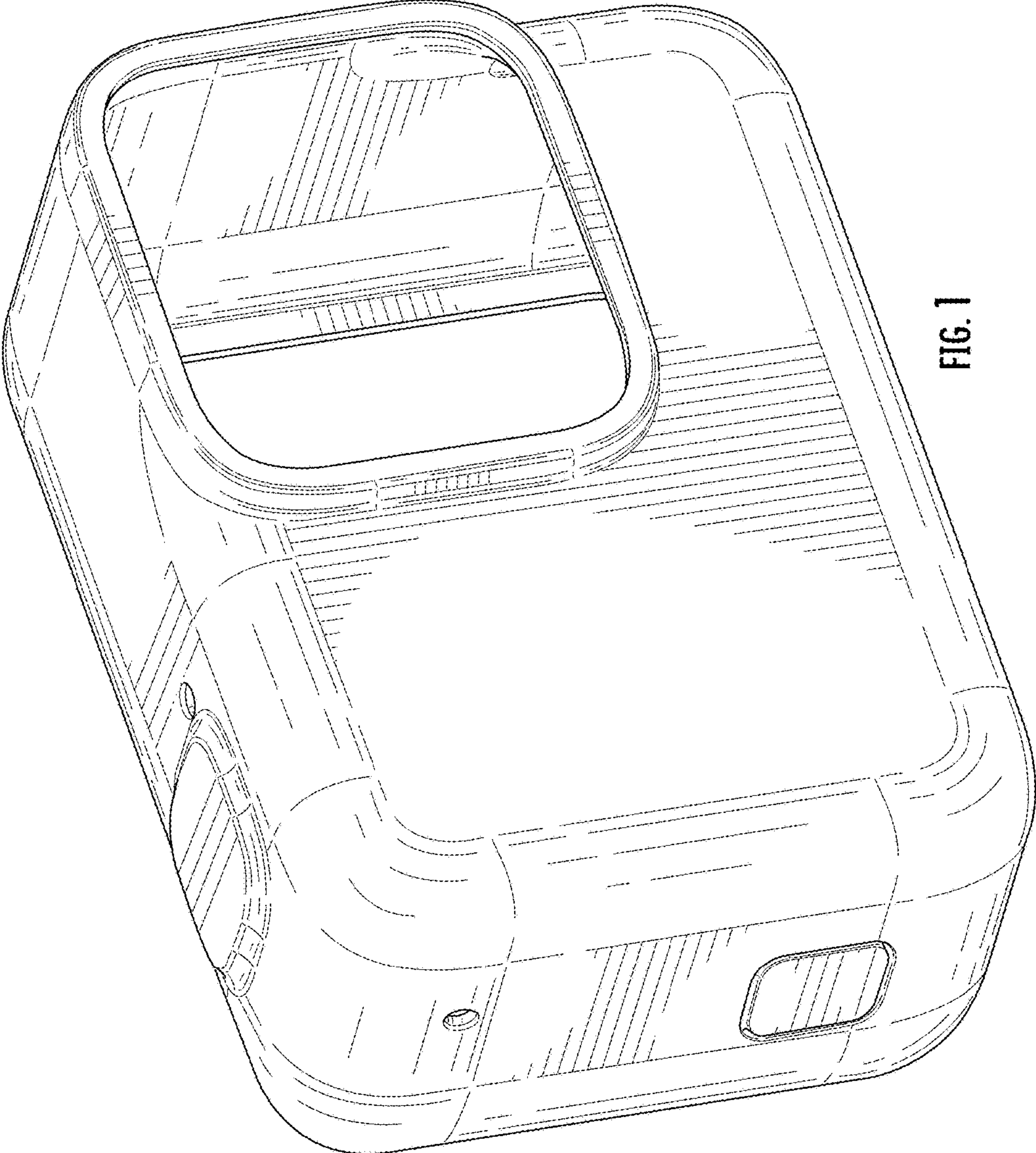


FIG. 1



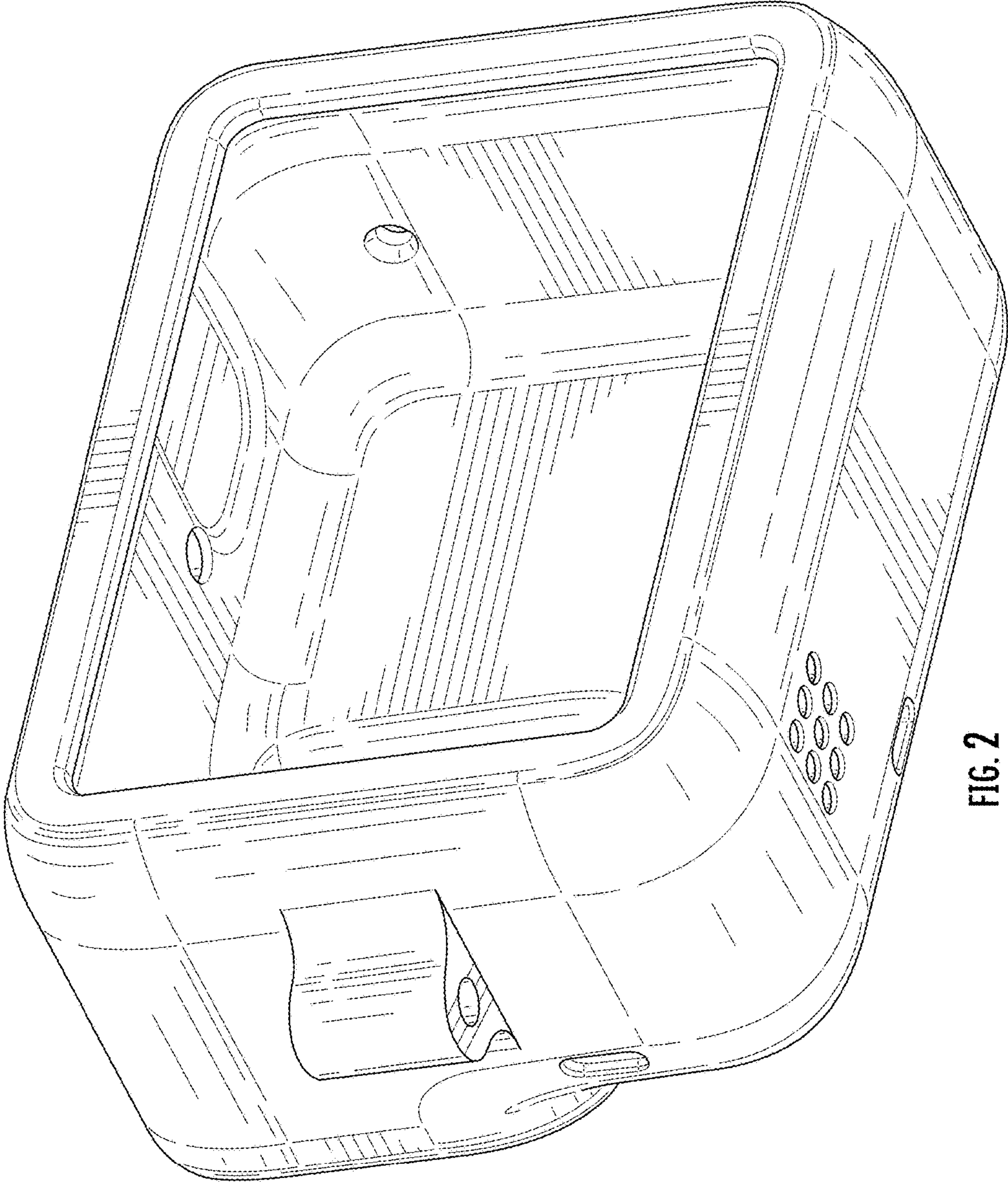


FIG. 2

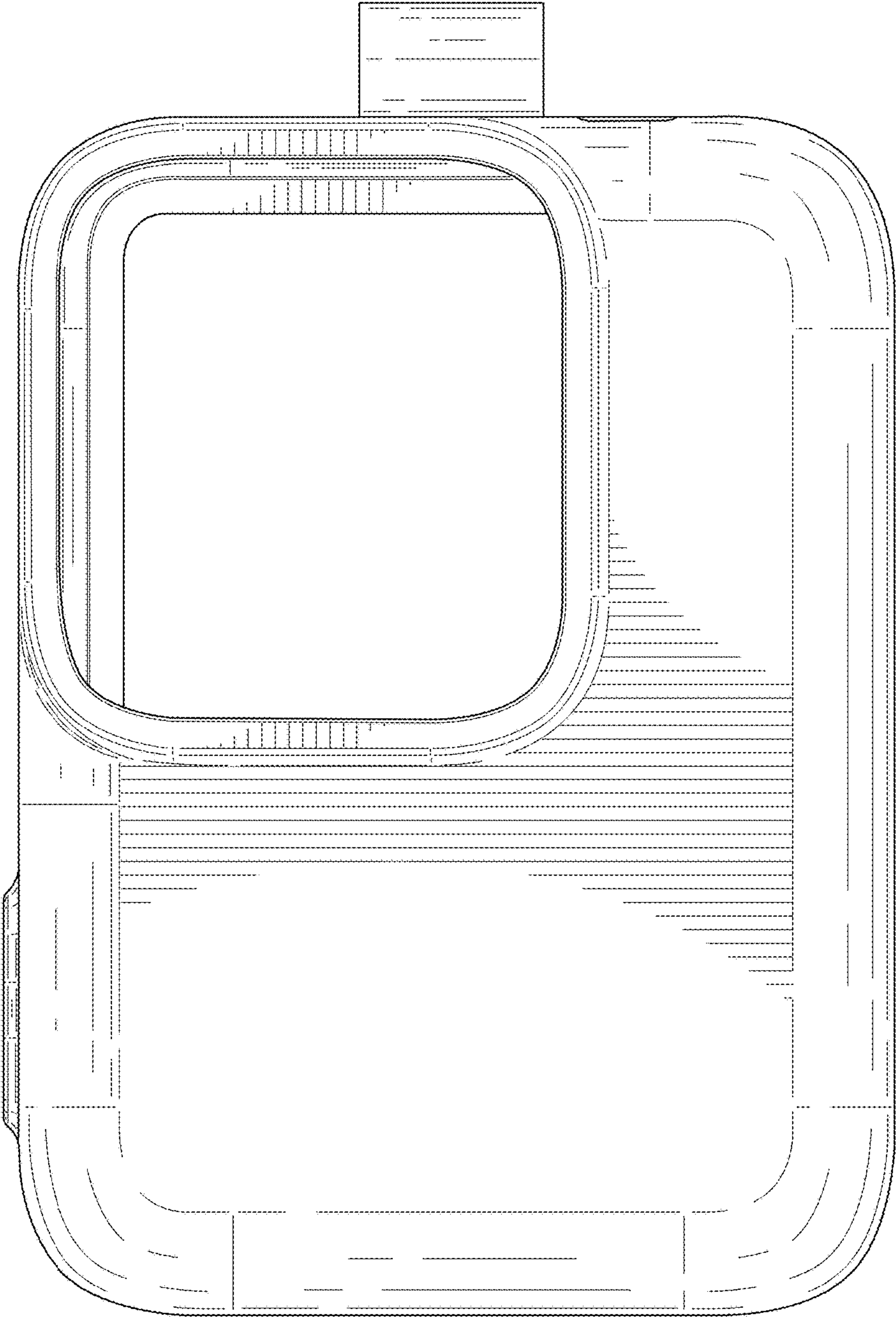


FIG. 3

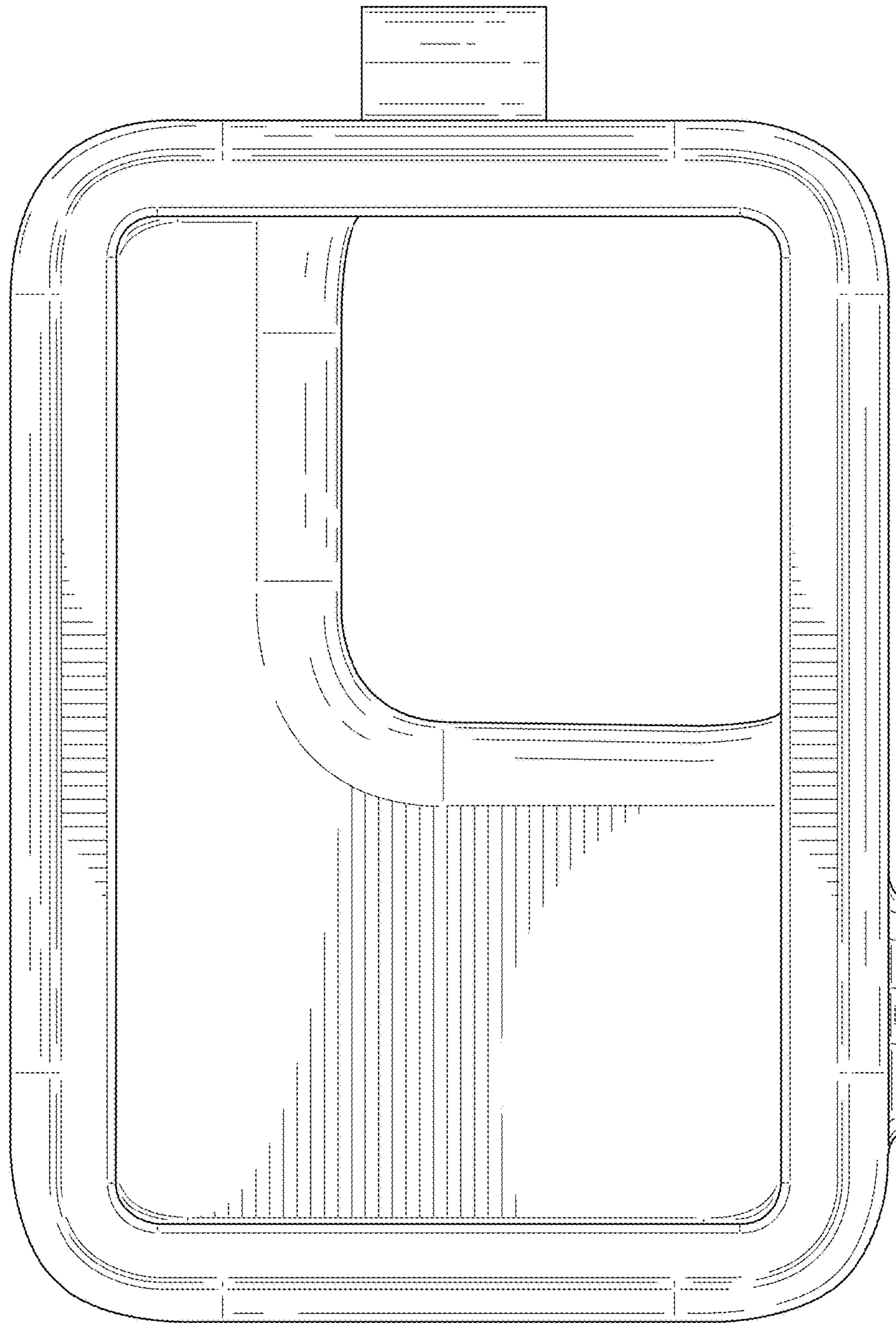


FIG. 4

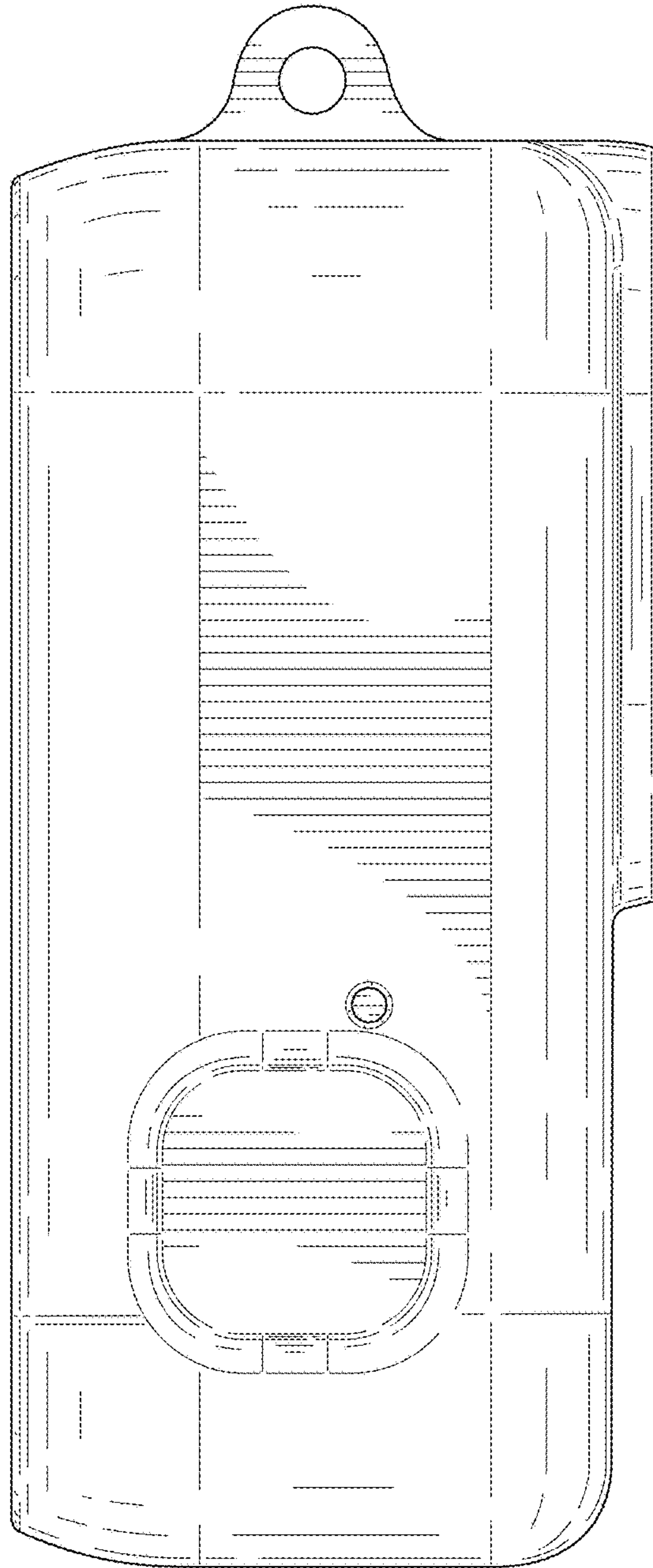


FIG. 5



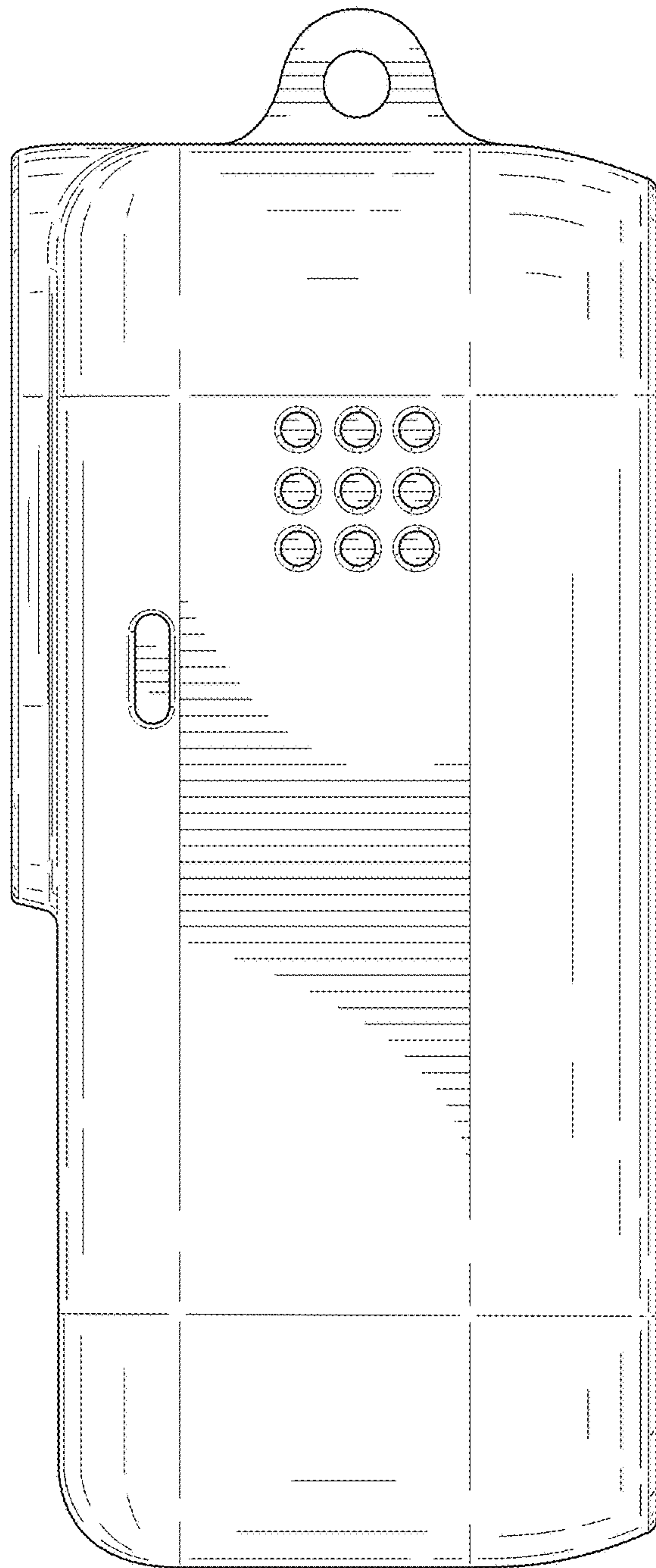


FIG. 6



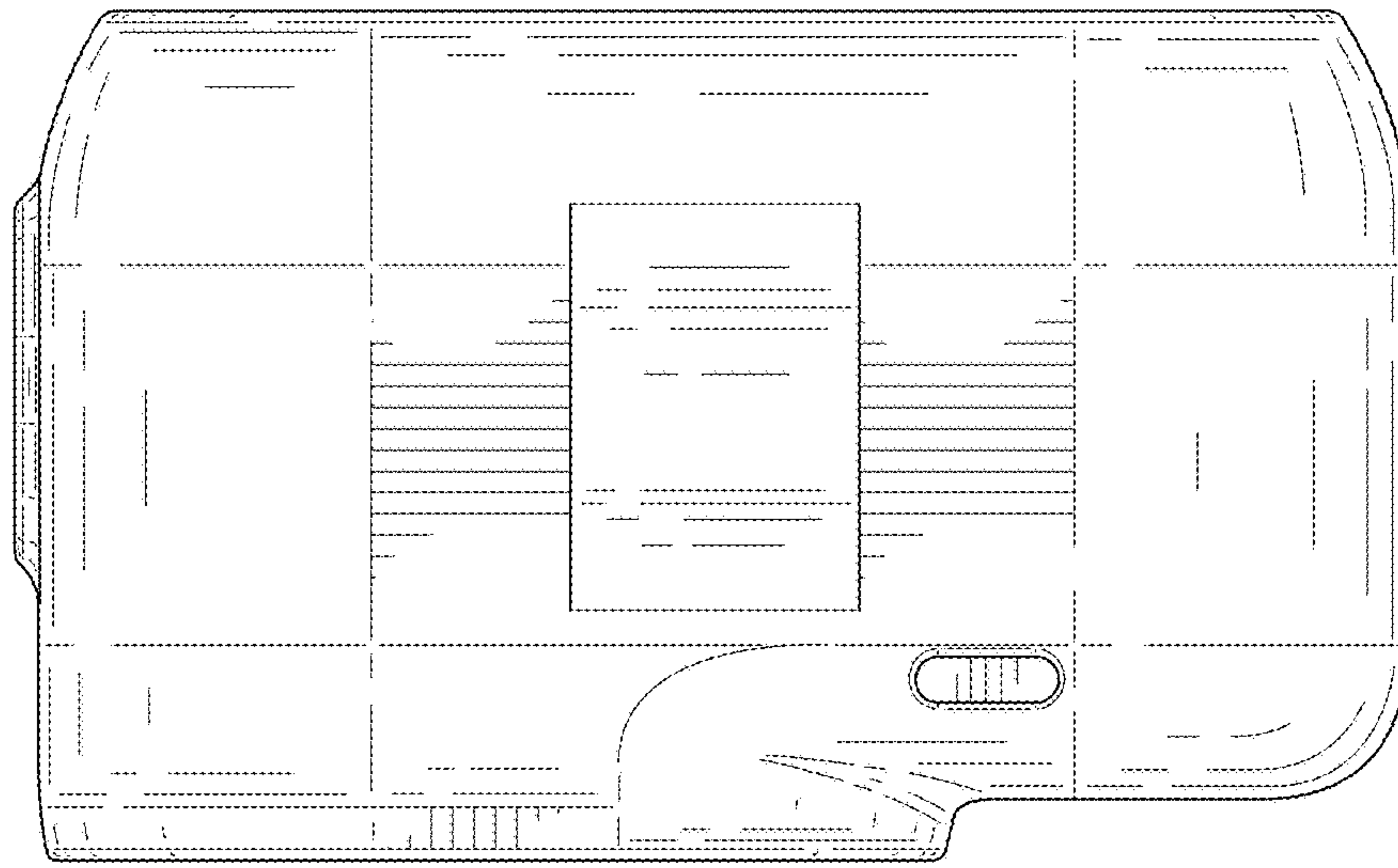


FIG. 8

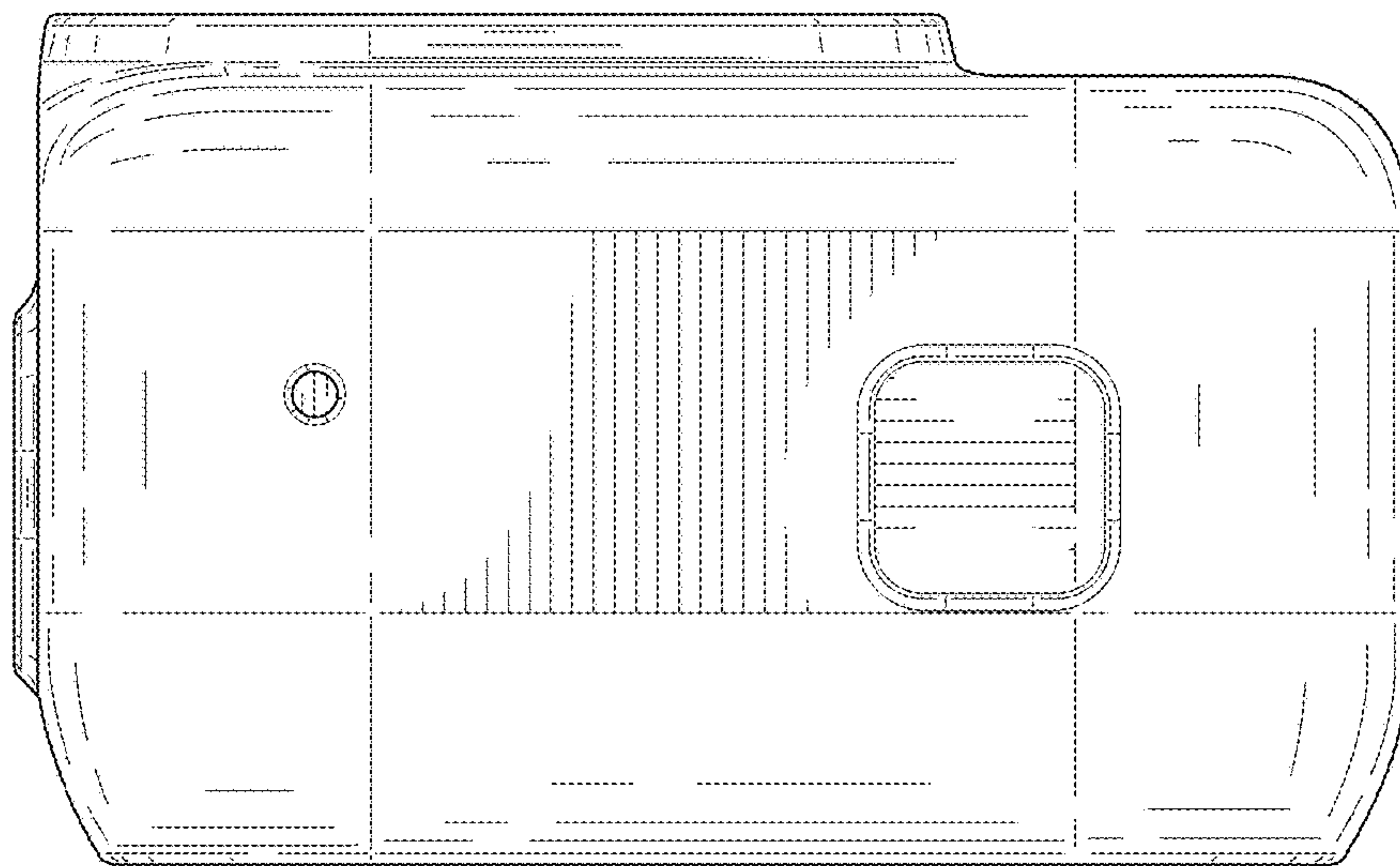


FIG. 7

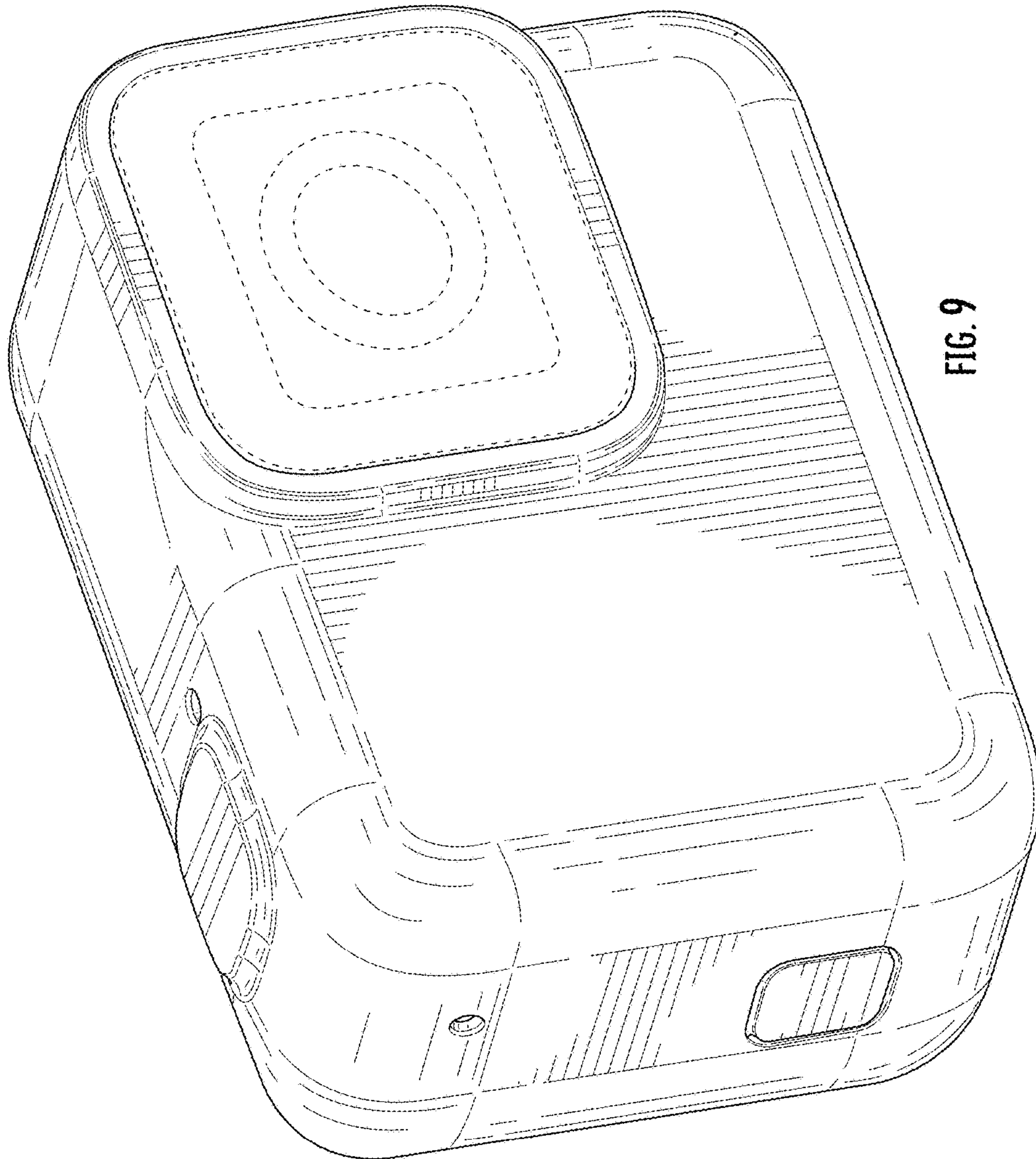


FIG. 9

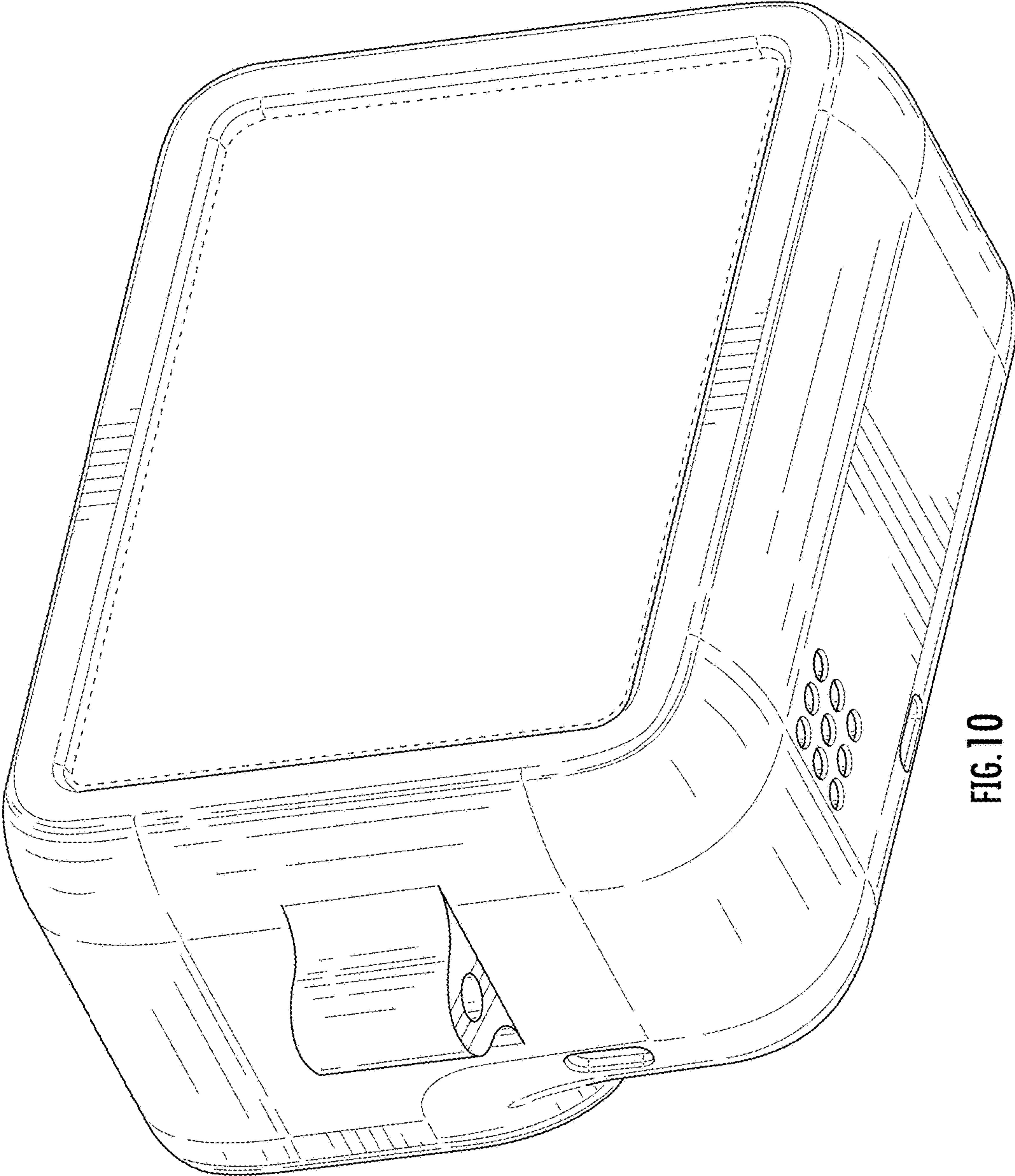


FIG. 10

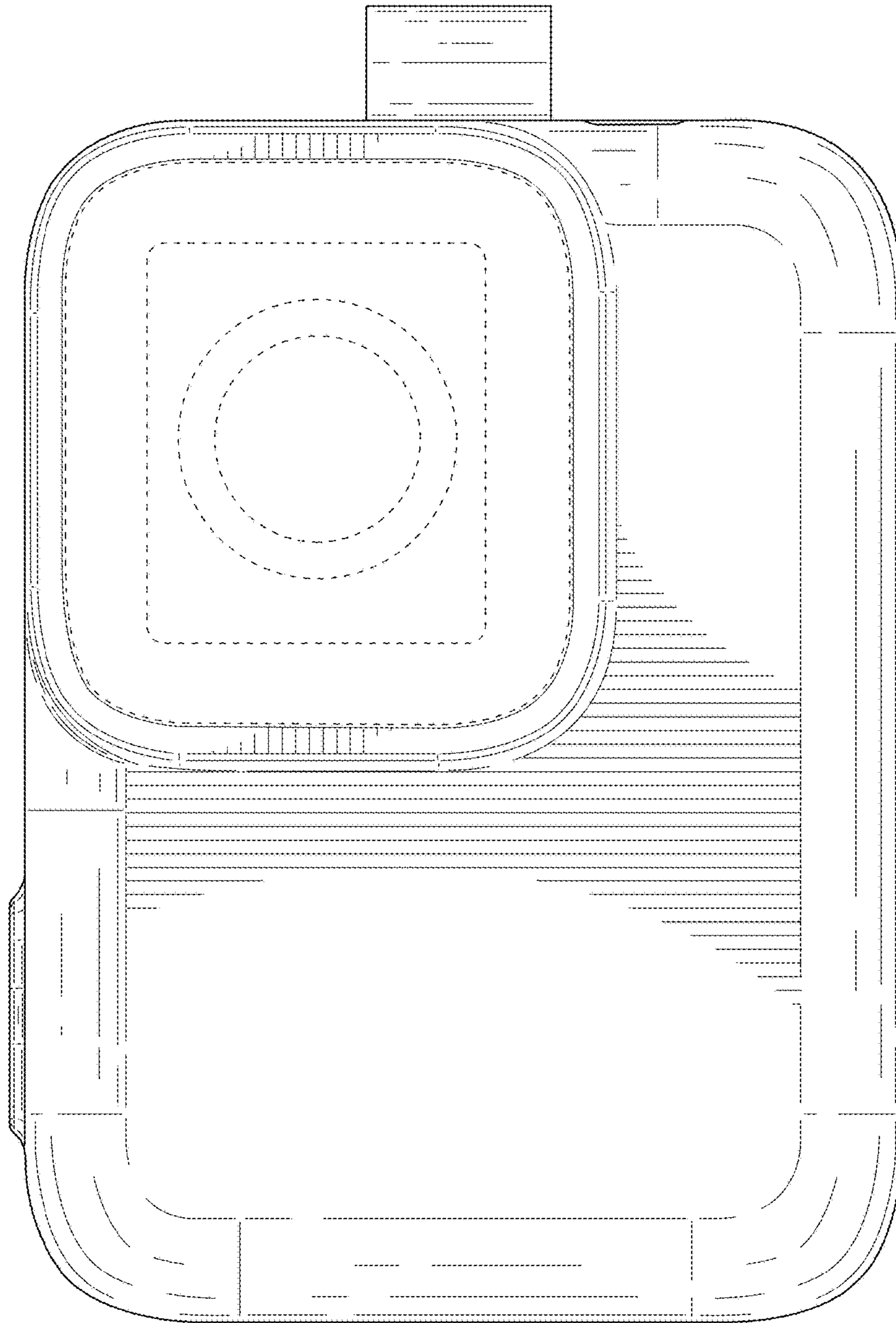


FIG. 11



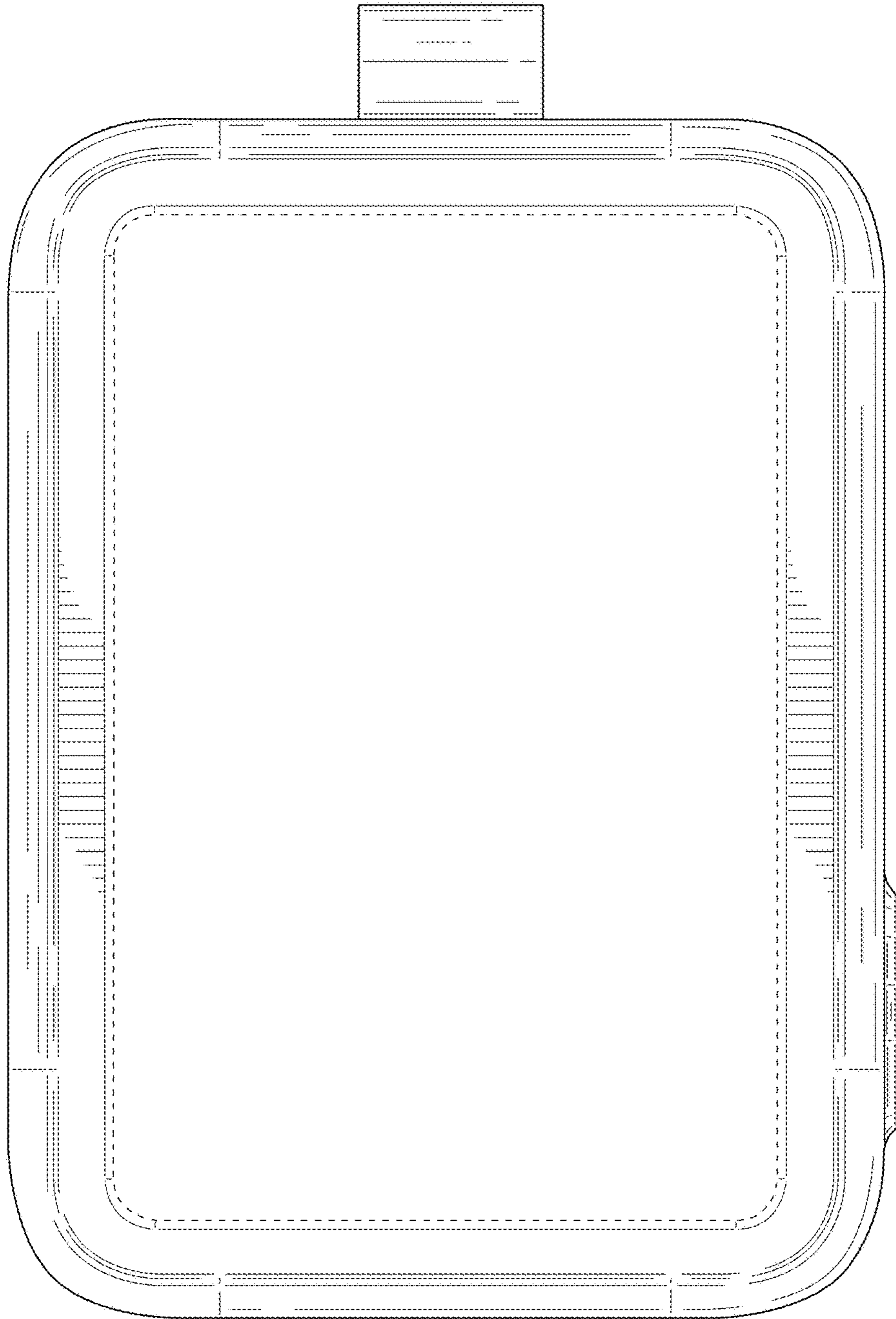


FIG. 12

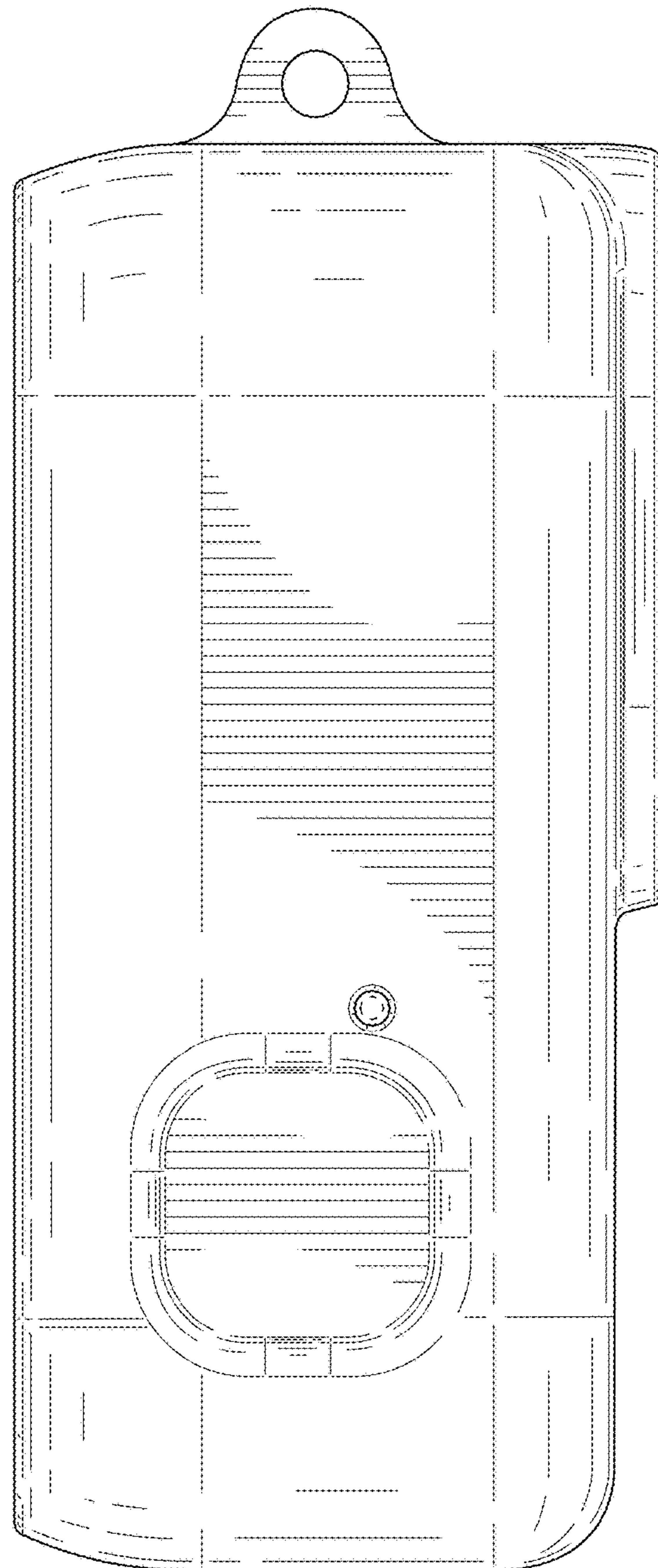


FIG. 13

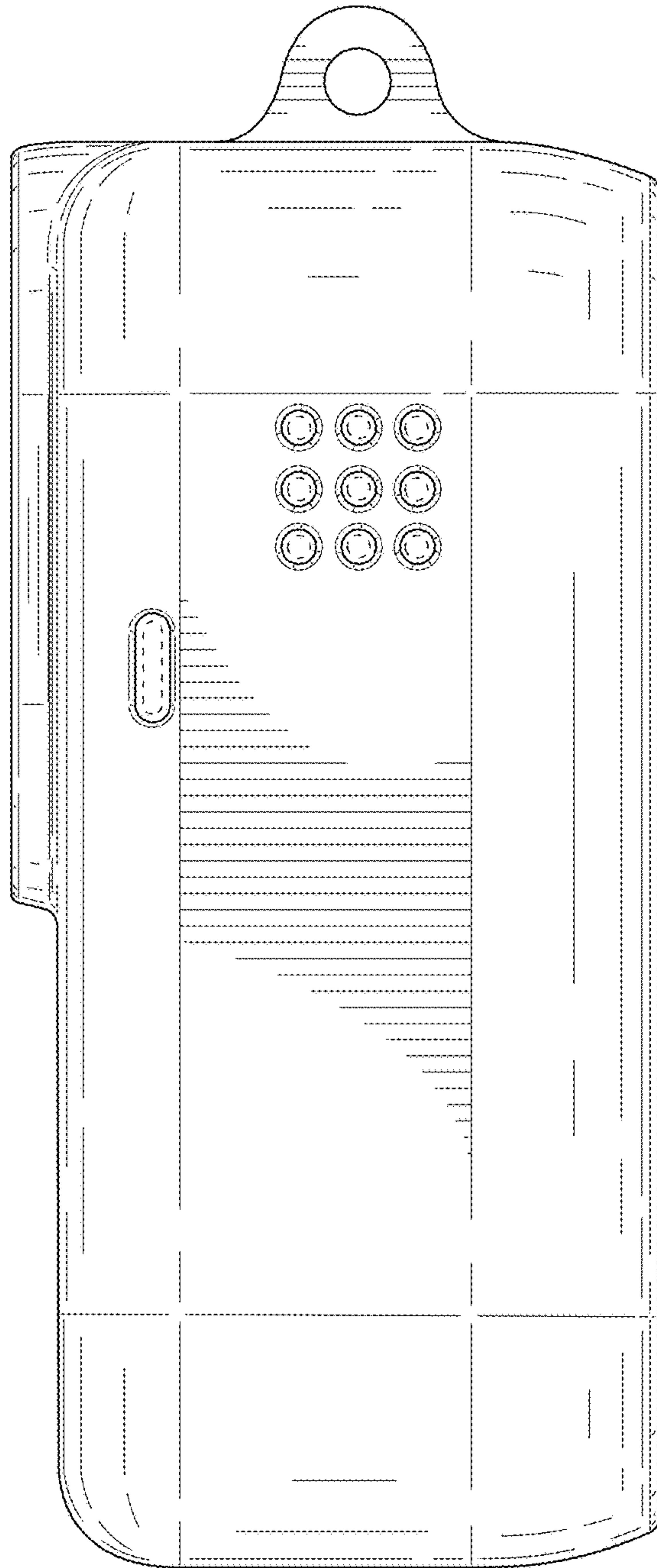


FIG. 14

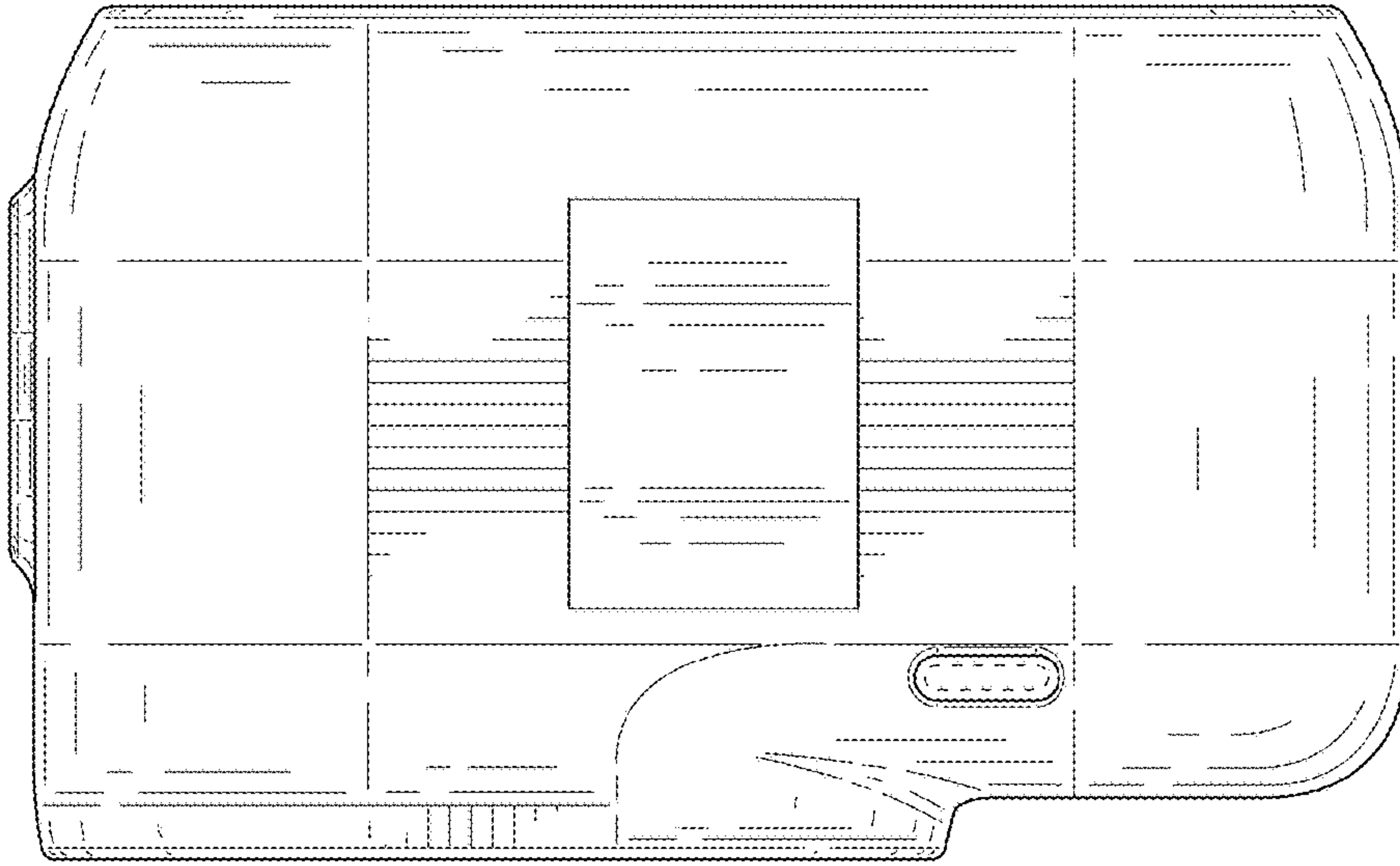


FIG. 15

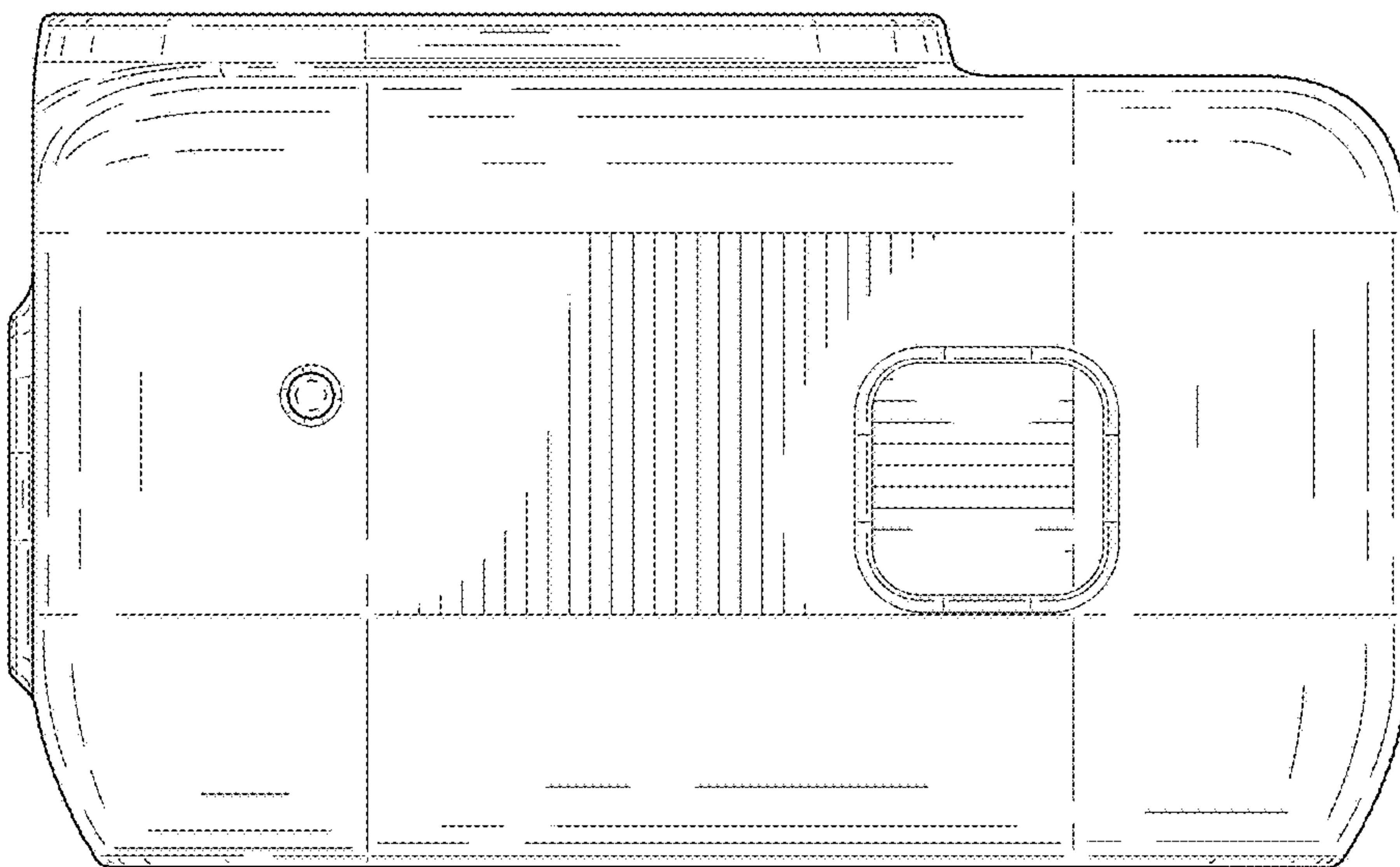


FIG. 16