



US00D861760S

(12) **United States Design Patent**
Zhuang et al.

(10) **Patent No.:** **US D861,760 S**

(45) **Date of Patent:** **** Oct. 1, 2019**

(54) **ROBOT**

(71) Applicant: **Emotech Ltd.**, London (GB)

(72) Inventors: **Hongbin Zhuang**, London (GB);
Szu-Hung Lee, London (GB); **Martin Riddiford**, London (GB); **Rob Butterworth**, London (GB); **Ben Mahon**, London (GB); **Douglas Morton**, London (GB); **Patrick Hunt**, London (GB)

(**) Term: **15 Years**

(21) Appl. No.: **29/597,303**

(22) Filed: **Mar. 16, 2017**

(30) **Foreign Application Priority Data**

Sep. 16, 2016 (EM) 003382738-0001
Sep. 16, 2016 (EM) 003382738-0002

(51) **LOC (12) Cl.** **15-99**

(52) **U.S. Cl.**
USPC **D15/199**

(58) **Field of Classification Search**
USPC D15/199; D21/578-583, 621, 622
CPC B25J 9/044; B25J 9/102; G06F 3/0485;
Y10T 74/20305

See application file for complete search history.

(56) **References Cited**

U.S. PATENT DOCUMENTS

D733,203 S *	6/2015	Menor	D12/107
9,092,021 B2 *	7/2015	Wong	G06F 3/0362
D797,829 S *	9/2017	Lv	D14/154
D813,282 S *	3/2018	Du	D15/199
D814,542 S *	4/2018	Iijima	D15/199
D830,436 S *	10/2018	Xu	D15/199

* cited by examiner

Primary Examiner — Patricia A Palasik

(74) *Attorney, Agent, or Firm* — Nixon & Vanderhye P.C.

(57) **CLAIM**

The ornamental design for a robot, as shown and described.

DESCRIPTION

FIG. 1 is a front perspective view (open configuration) of a robot;

FIG. 2 is a front view thereof;

FIG. 3 is a back view thereof;

FIG. 4 is a right side elevational view (left side view corresponds) thereof;

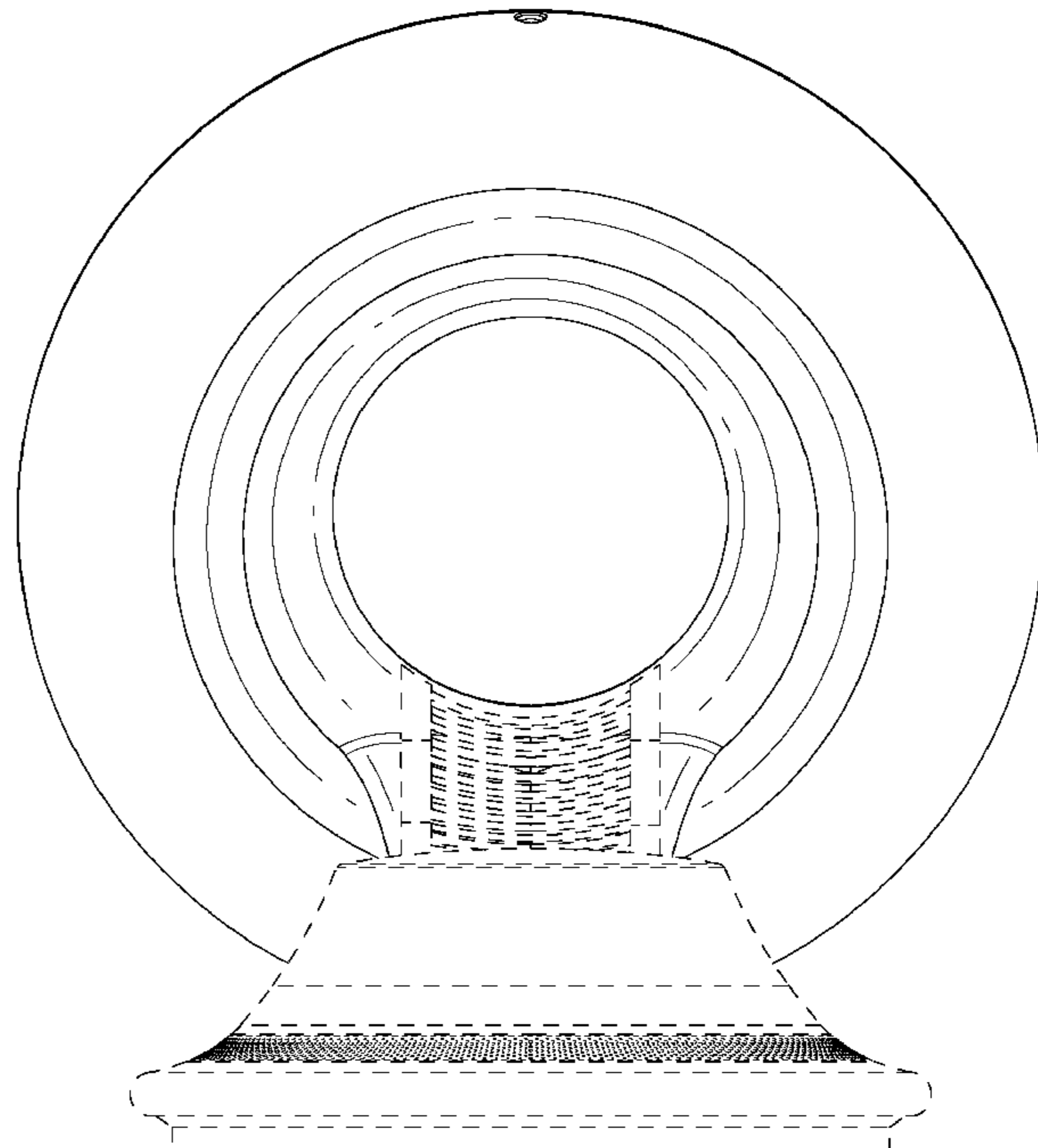
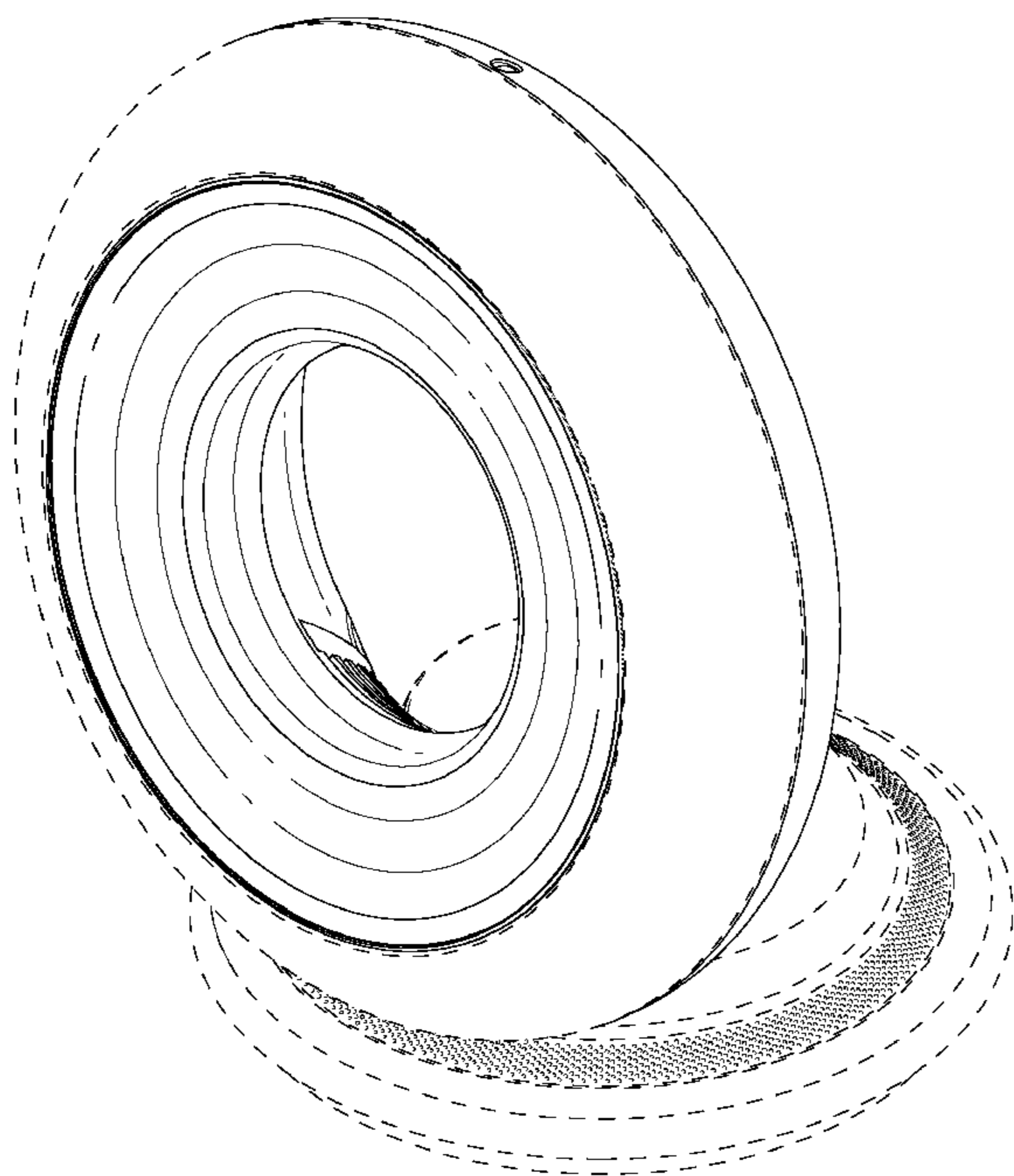
FIG. 5 is a top view thereof;

FIG. 6 is a bottom view thereof; and,

FIG. 7 is a front perspective view (closed configuration) thereof.

The features of the figures in broken lines are portions of the robot and form no part of the claimed design.

1 Claim, 7 Drawing Sheets



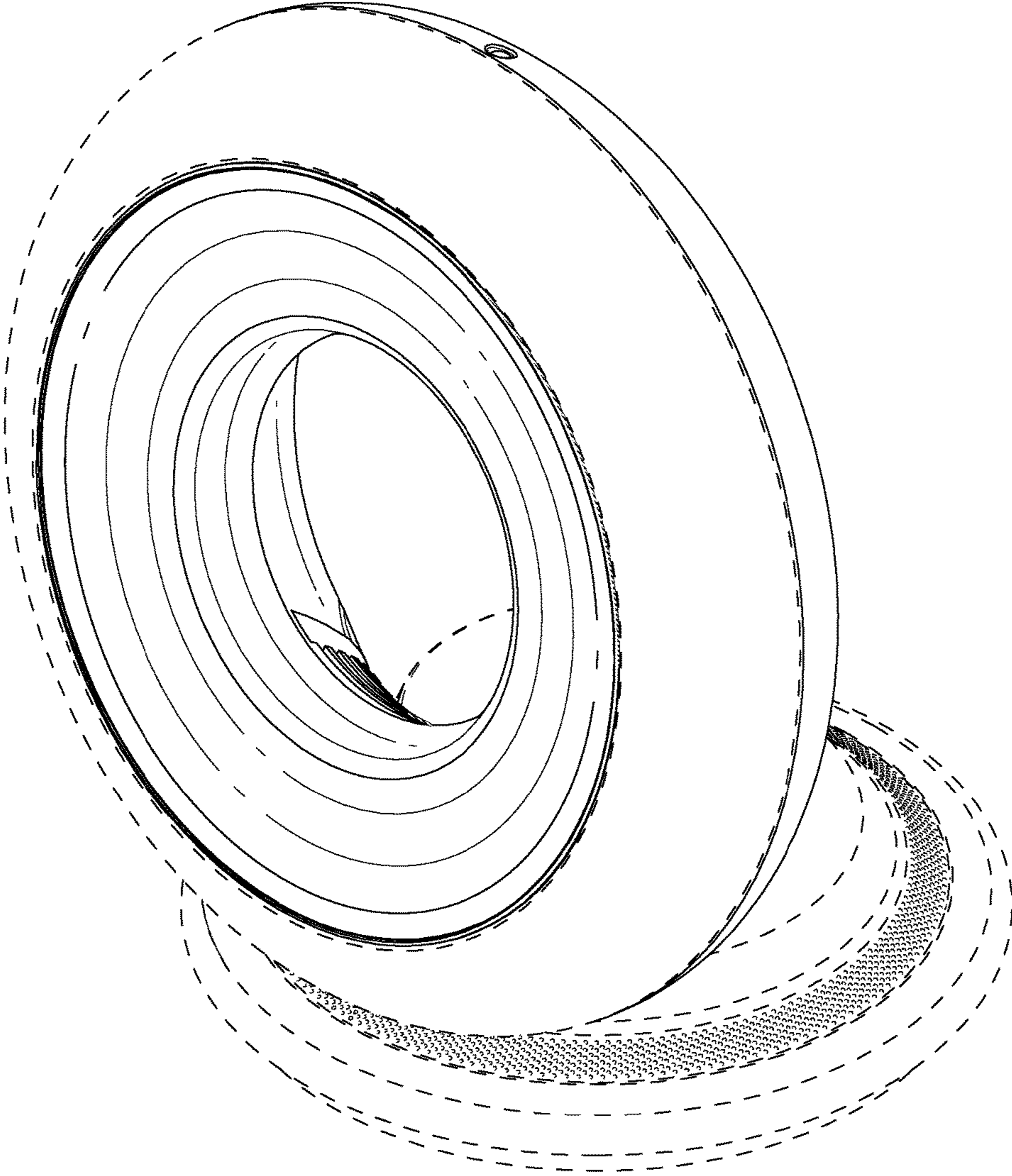


Fig. 1

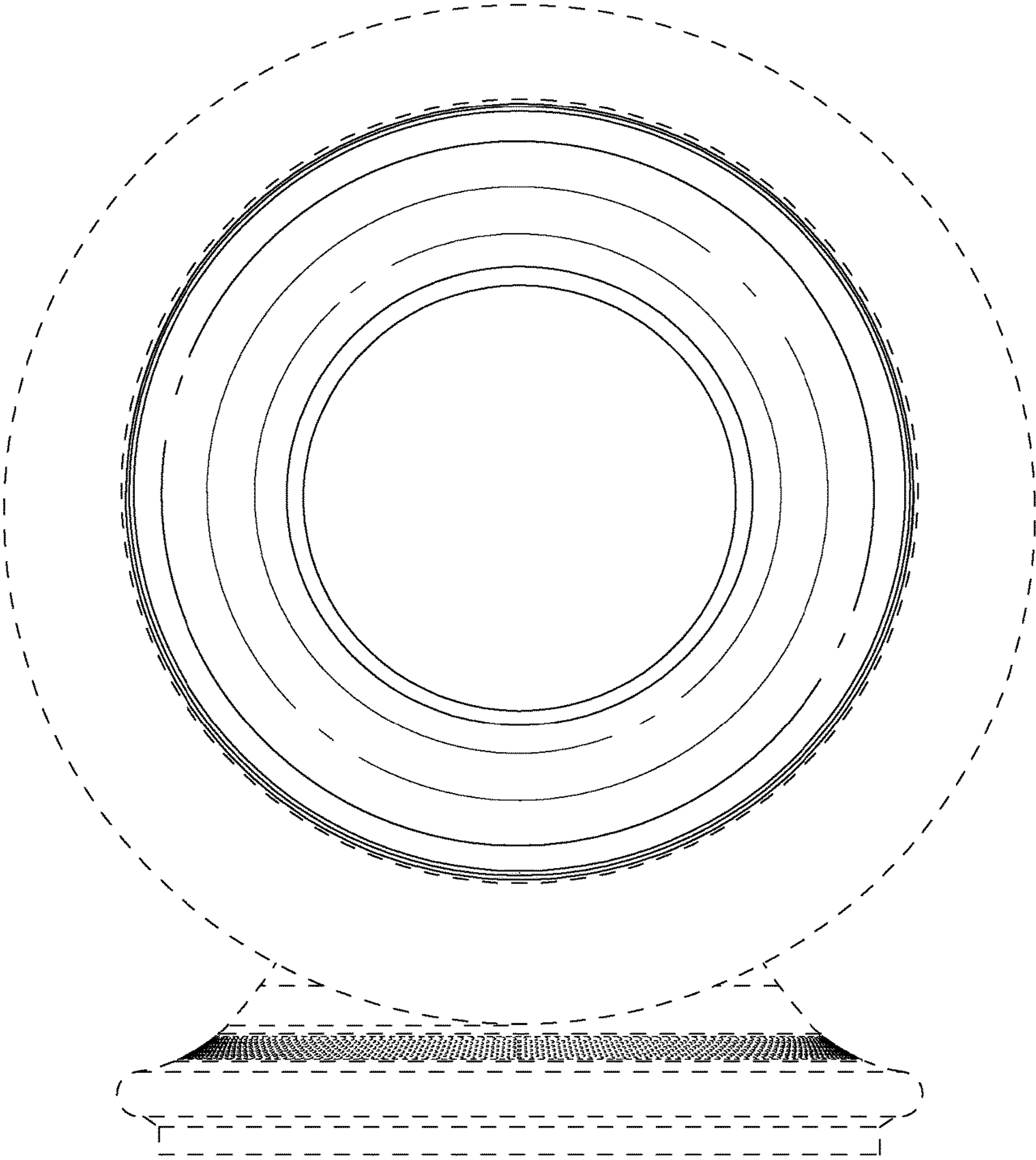


Fig. 2

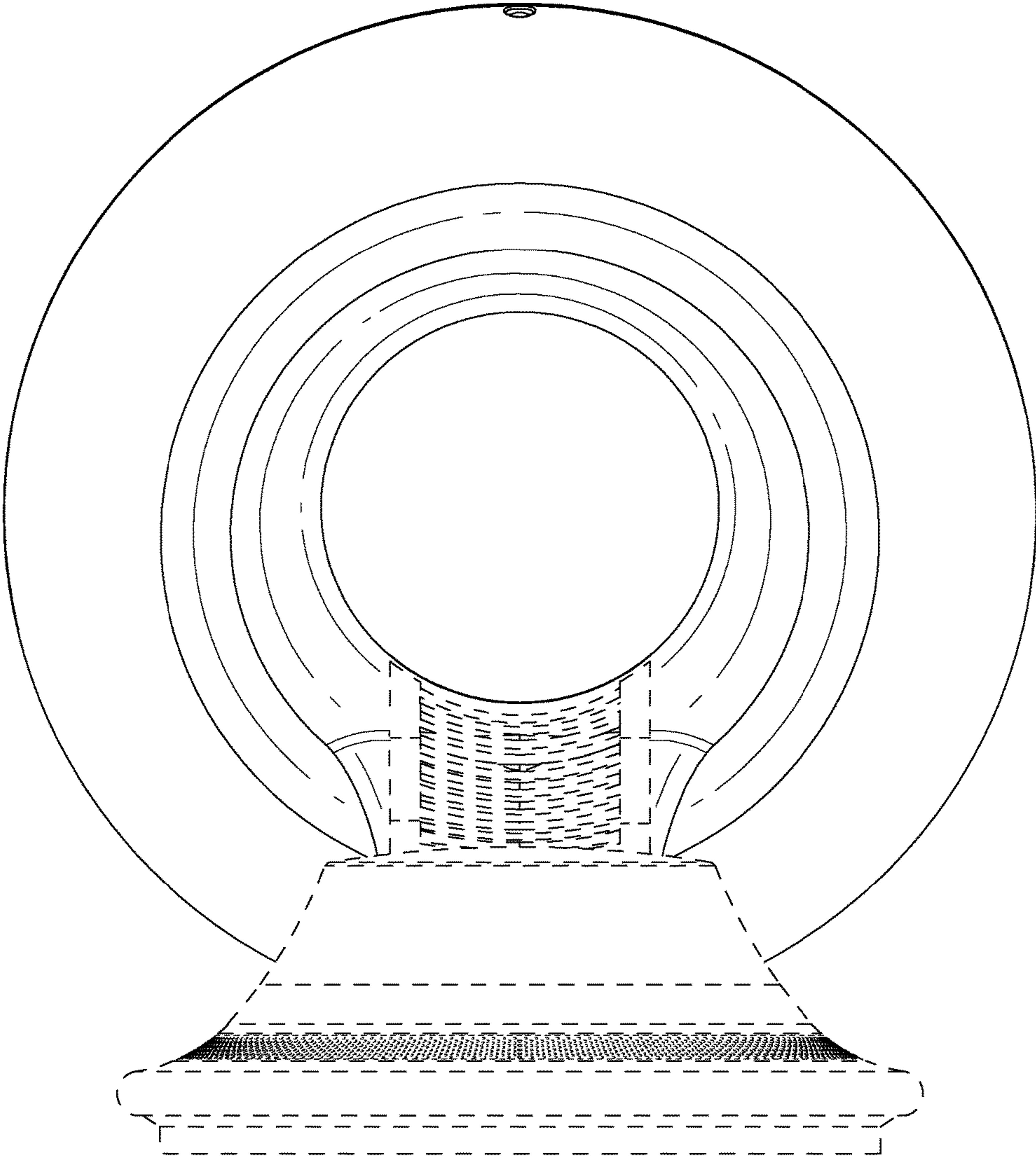


Fig. 3

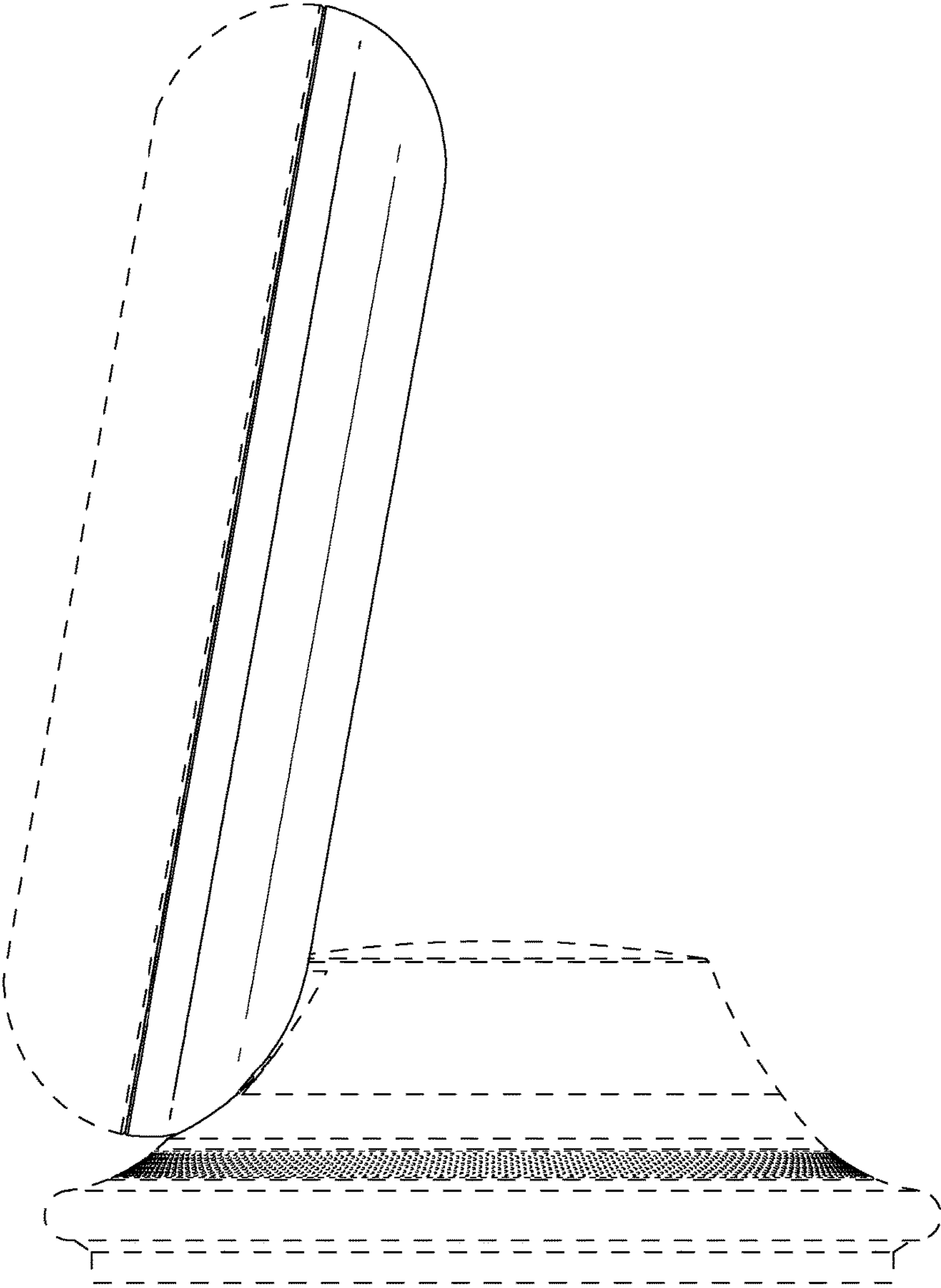


Fig. 4

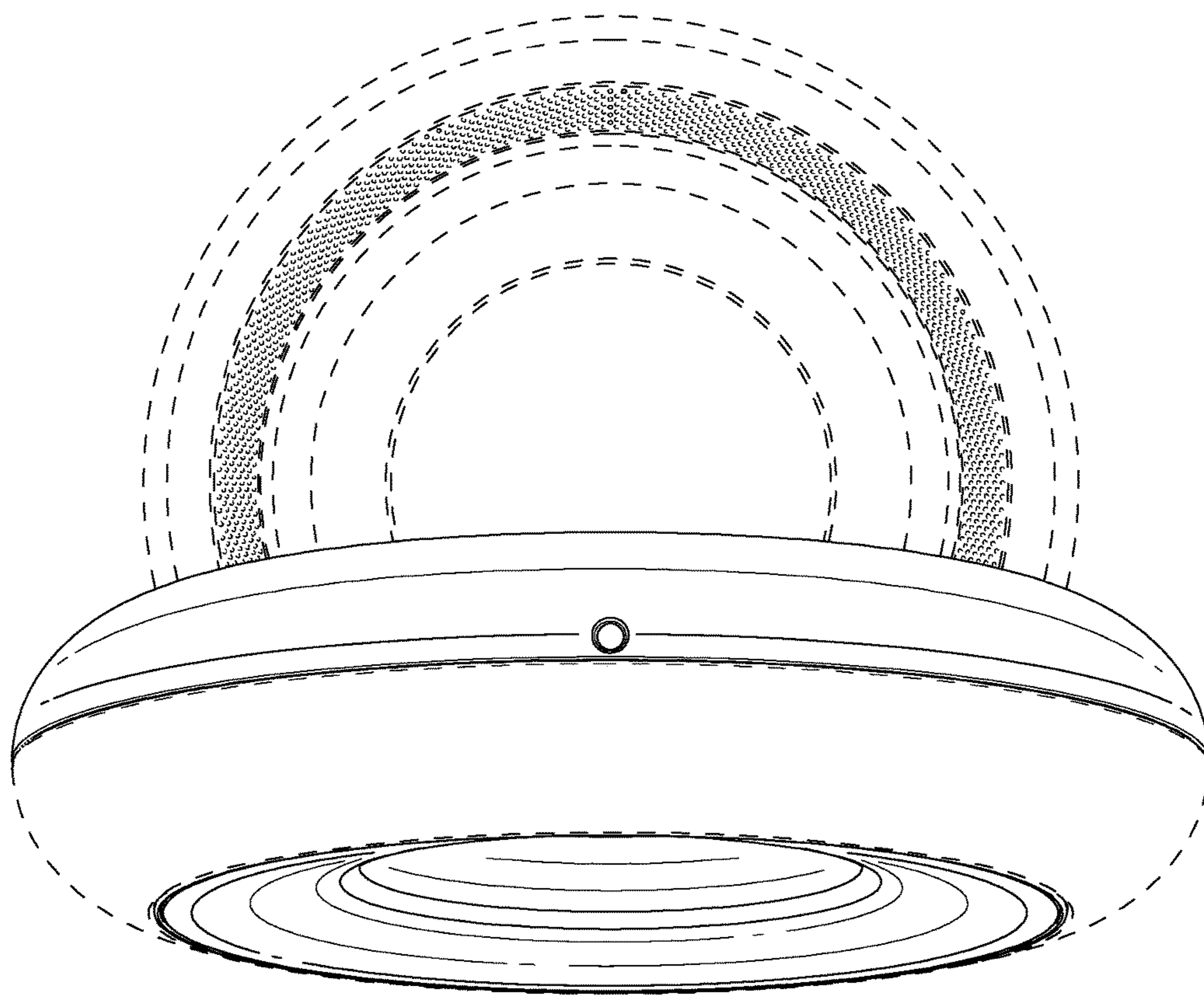


Fig. 5

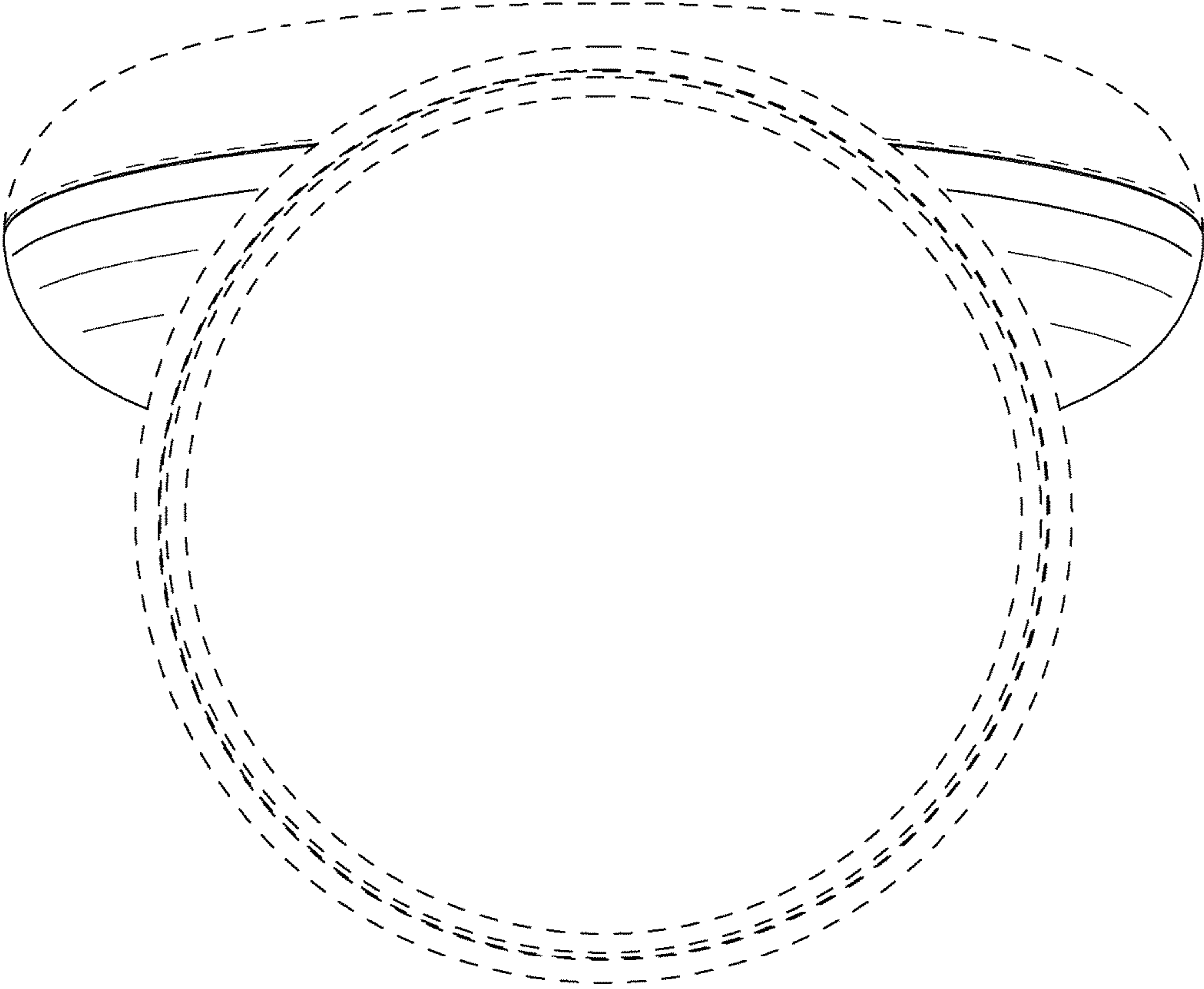


Fig. 6

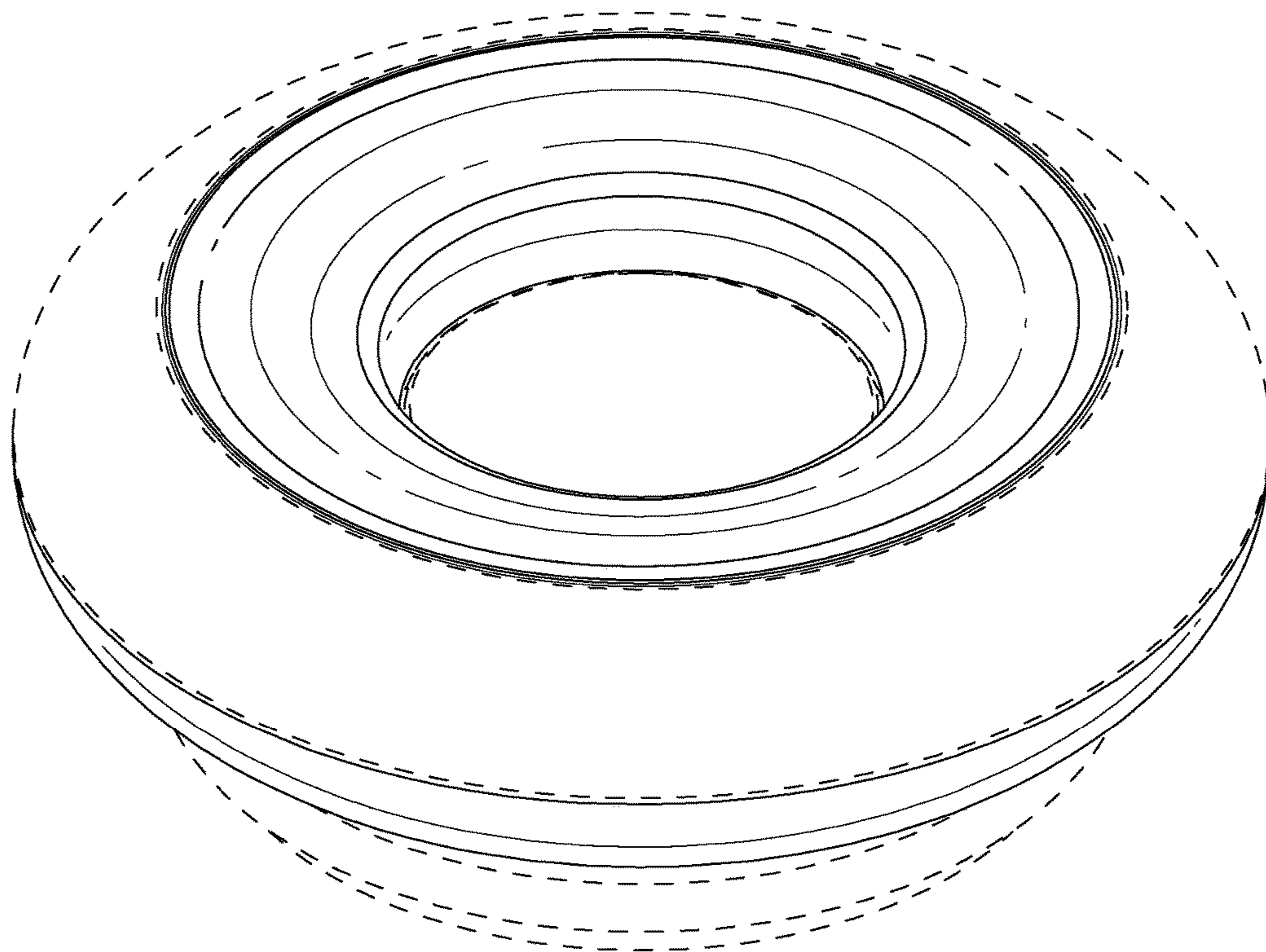


Fig. 7