



US00D861759S

(12) **United States Design Patent** (10) **Patent No.:** **US D861,759 S**
Bloom et al. (45) **Date of Patent:** **** Oct. 1, 2019**

(54) **BEZEL**

(71) Applicant: **Graco Minnesota Inc.**, Minneapolis, MN (US)
(72) Inventors: **Michael E. Bloom**, Anoka, MN (US); **Joshua R. Holmstadt**, St. Michael, MN (US); **Bradley G. Kahler**, Otsego, MN (US); **Benjamin J. Paar**, Minneapolis, MN (US); **Anthony J. Kuschel**, Coon Rapids, MN (US); **James R. Ebben**, Shoreview, MN (US); **Shane A. Norman**, Oak Grove, MN (US)

(73) Assignee: **Graco Minnesota Inc.**, Minneapolis, MN (US)

(**) Term: **15 Years**

(21) Appl. No.: **29/658,038**

(22) Filed: **Jul. 27, 2018**

Related U.S. Application Data

(62) Division of application No. 29/641,696, filed on Mar. 23, 2018.

(51) **LOC (12) Cl.** **15-09**

(52) **U.S. Cl.**
USPC **D15/150; D15/138**

(58) **Field of Classification Search**
USPC D15/9.1, 150, 151, 152
CPC F16D 13/74; F16D 48/02; F16D 25/12; F16D 25/14; F16D 25/123; F16D 25/0638; F16D 2048/0221; G01F 23/04; H04M 1/22; H04M 1/0227; H04M 1/0243; H04M 1/0283

See application file for complete search history.

(56) **References Cited**

U.S. PATENT DOCUMENTS

5,005,161 A * 4/1991 Boilen G04B 47/046
368/295
D328,303 S * 7/1992 Griffith D15/5
D328,500 S * 8/1992 Hardy
5,323,740 A * 6/1994 Daily F01M 13/0416
123/143 C
6,032,922 A * 3/2000 Shew F16K 31/52433
239/526
D428,903 S * 8/2000 Kerr D15/150
D429,264 S * 8/2000 Lindstrand D15/150
D438,123 S * 2/2001 Choi D10/30
D439,172 S * 3/2001 Brzezinski D10/30
6,443,328 B1 * 9/2002 Fehl B67D 7/303
222/14
D495,615 S 9/2004 King et al.
D498,795 S * 11/2004 Nunn D20/8
D520,507 S * 5/2006 Su D14/444

(Continued)

OTHER PUBLICATIONS

Graco XD Series Electronic Meters brochure published Oct. 2015.
(Continued)

Primary Examiner — Patricia A Palasik

(74) *Attorney, Agent, or Firm* — Kyle B. Liudahl

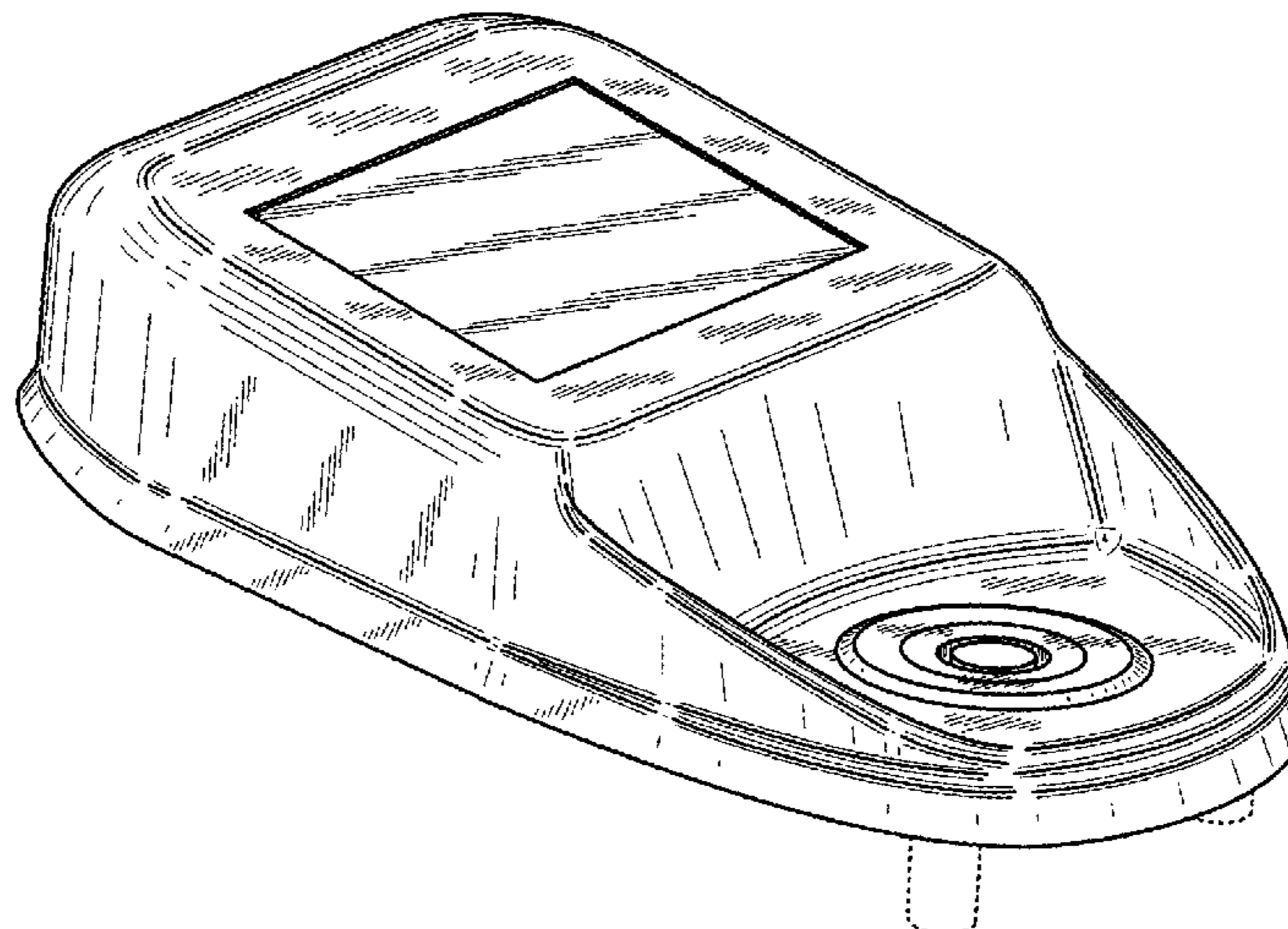
(57) **CLAIM**

The ornamental design for a bezel, as shown and described.

DESCRIPTION

FIG. 1 is a perspective view of a bezel; FIG. 2 is a front view thereof, FIG. 3 is a rear side view thereof, FIG. 4 is a right side view thereof, FIG. 5 is a left side view thereof; FIG. 6 is a top view thereof; and, FIG. 7 is a bottom view of a bezel. The broken lines are indicative of an unclaimed portion of the design.

1 Claim, 4 Drawing Sheets



(56)

References Cited

U.S. PATENT DOCUMENTS

7,055,384 B2 * 6/2006 Williams G01F 23/04
33/722
D525,659 S * 7/2006 Paczkowski D20/8
D537,458 S * 2/2007 Breeser D15/150
7,442,125 B2 * 10/2008 Paulsen G07F 17/3202
463/30
D594,490 S 6/2009 Breeser
8,776,757 B2 * 7/2014 Goerend F01M 11/0004
123/195 C
D734,795 S * 7/2015 Hoefler D15/152
D823,916 S * 7/2018 Lee D15/150
2001/0052245 A1 * 12/2001 Lovegrove A44C 9/0069
63/15
2003/0090182 A1 * 5/2003 Johnson G06F 1/181
312/265.5
2004/0042623 A1 * 3/2004 Zapalski H01H 13/70
381/86
2004/0056502 A1 * 3/2004 Jennings B60K 37/02
296/70
2004/0203493 A1 * 10/2004 Carlson H04M 1/0227
455/90.1
2005/0063144 A1 * 3/2005 Park H04M 1/0227
361/679.08

2008/0259476 A1 * 10/2008 Branham B60R 1/06
359/871
2011/0147037 A1 * 6/2011 Tee H02G 3/14
174/66
2012/0061118 A1 * 3/2012 Mao G06F 1/1662
174/66
2012/0193422 A1 * 8/2012 Franz G08B 13/2411
235/462.1
2013/0083556 A1 * 4/2013 Huang H01H 13/023
362/602
2013/0147326 A1 * 6/2013 Wu G06F 1/187
312/223.2
2017/0147845 A1 * 5/2017 Mao G06K 7/10881

OTHER PUBLICATIONS

American Lubrication Equipment Corporation TIM-600 Pro Series Digital Control Handle Parts Breakdown Chart dated Feb. 2017.
American Lubrication Equipment Corporation Metered Control Haldes webpage printed May 10, 2018 (another view of Non Patent Literature #2).
Alemite Electronic Meter flyer dated Oct. 2005.
Piusi USA Fuel & Oil Solutions Catalog, oil nozzles depicted on p. 26 and 27, dated Aug. 2017.

* cited by examiner

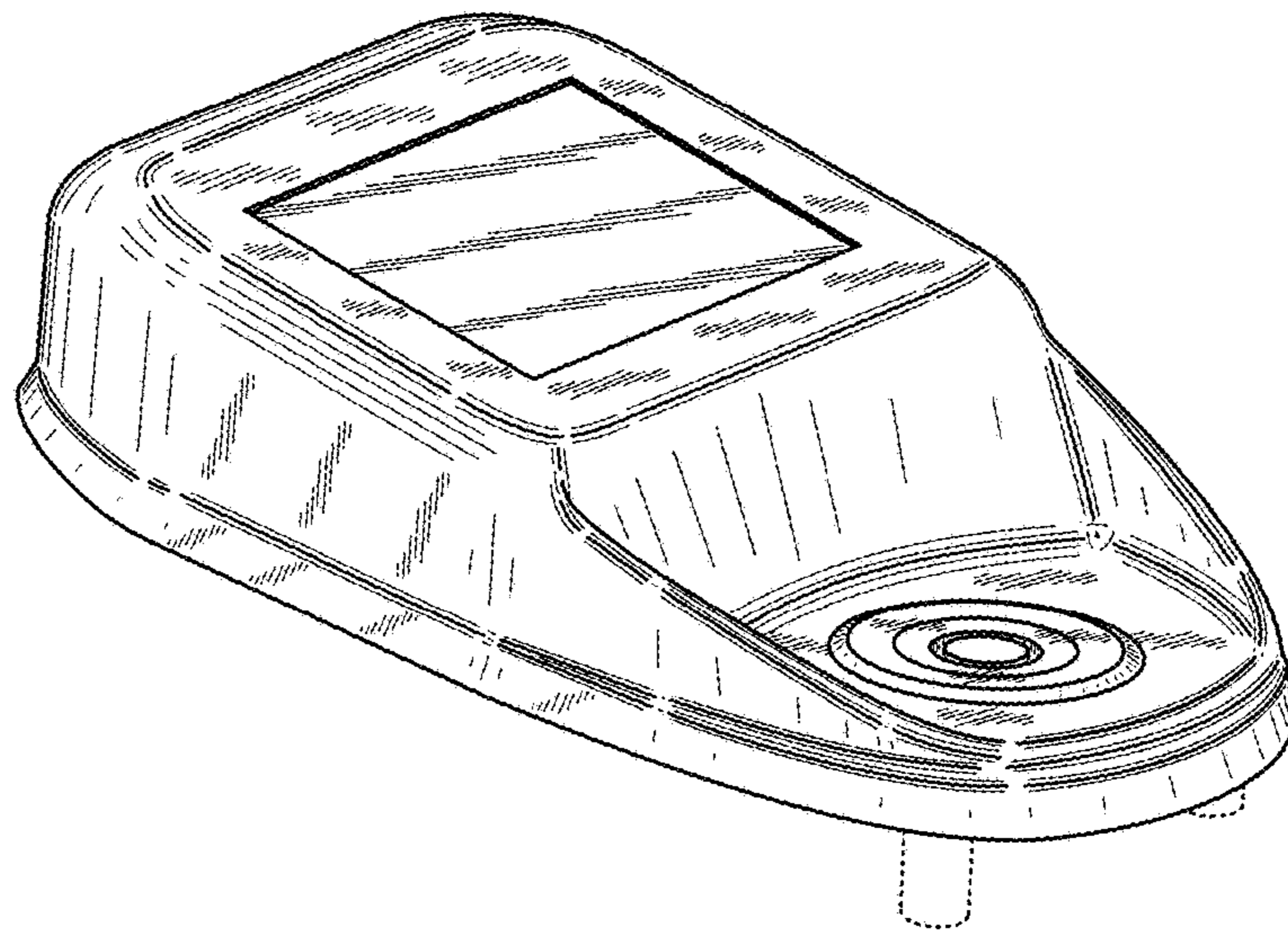


Fig. 1

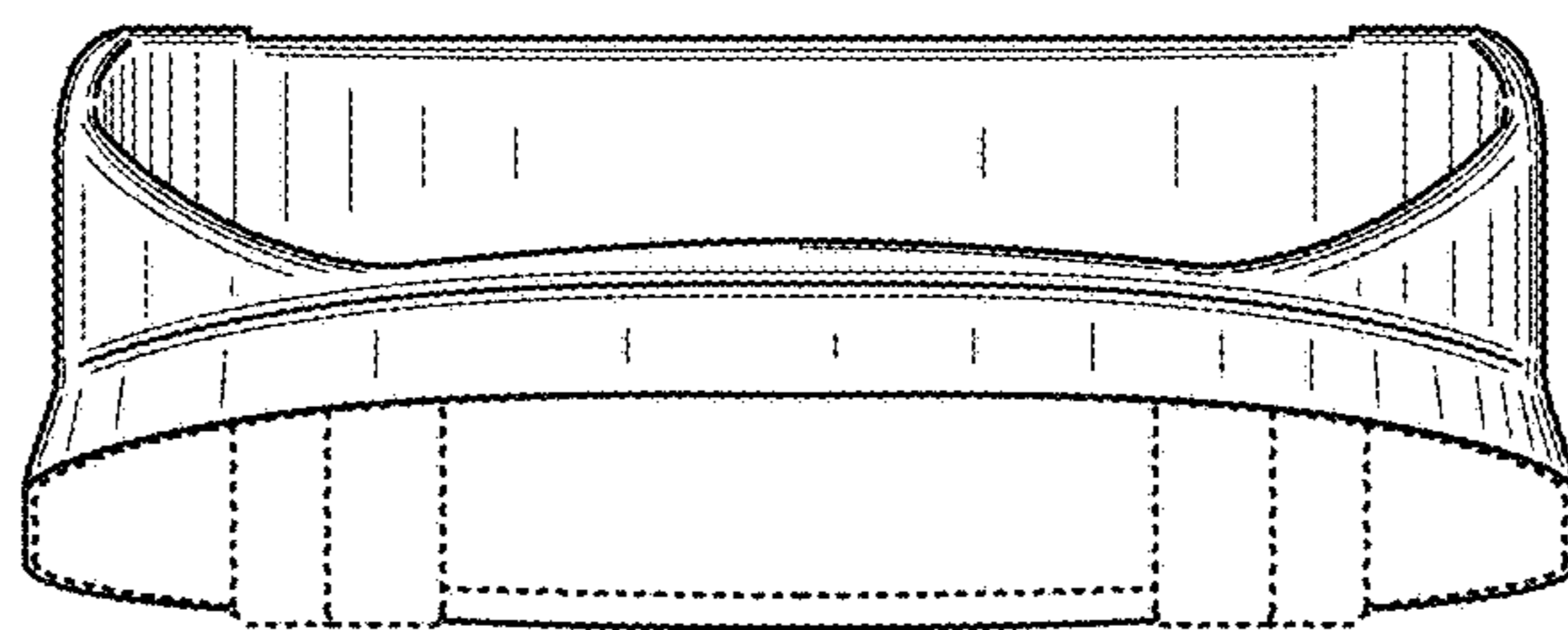


Fig. 2

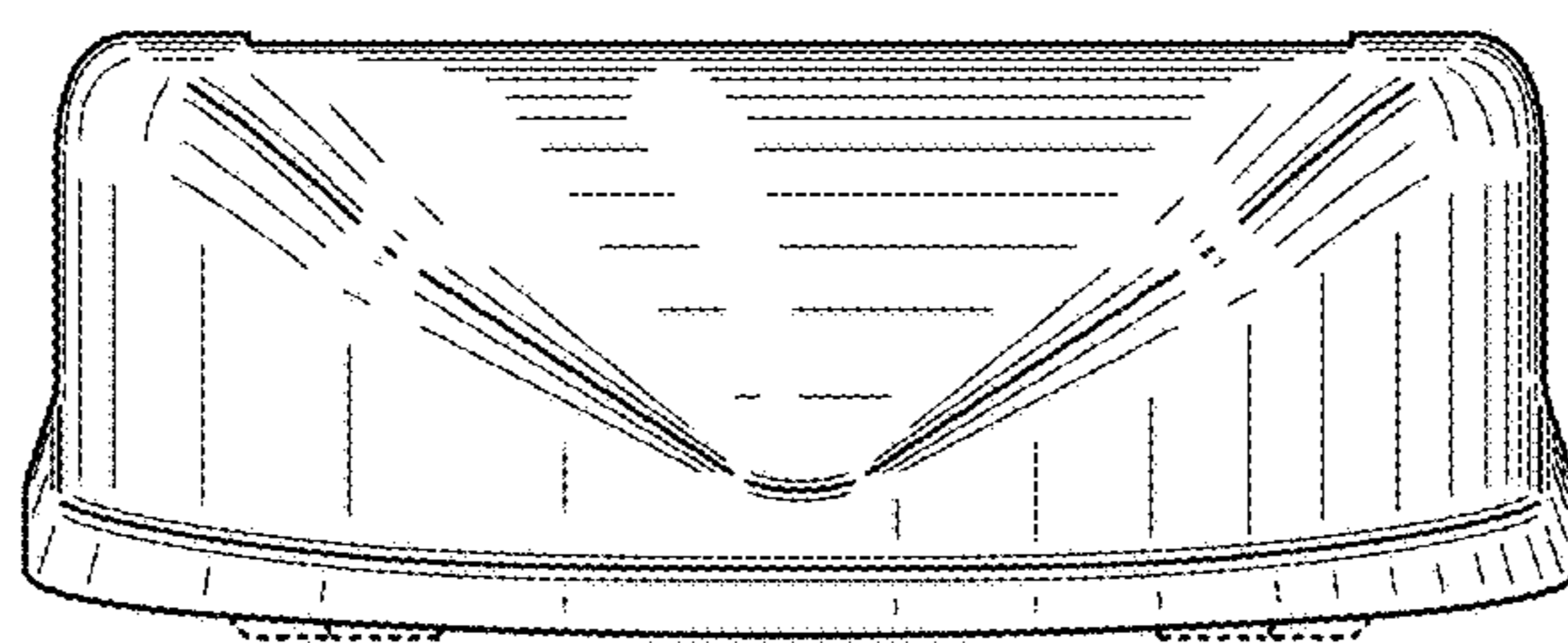


Fig. 3

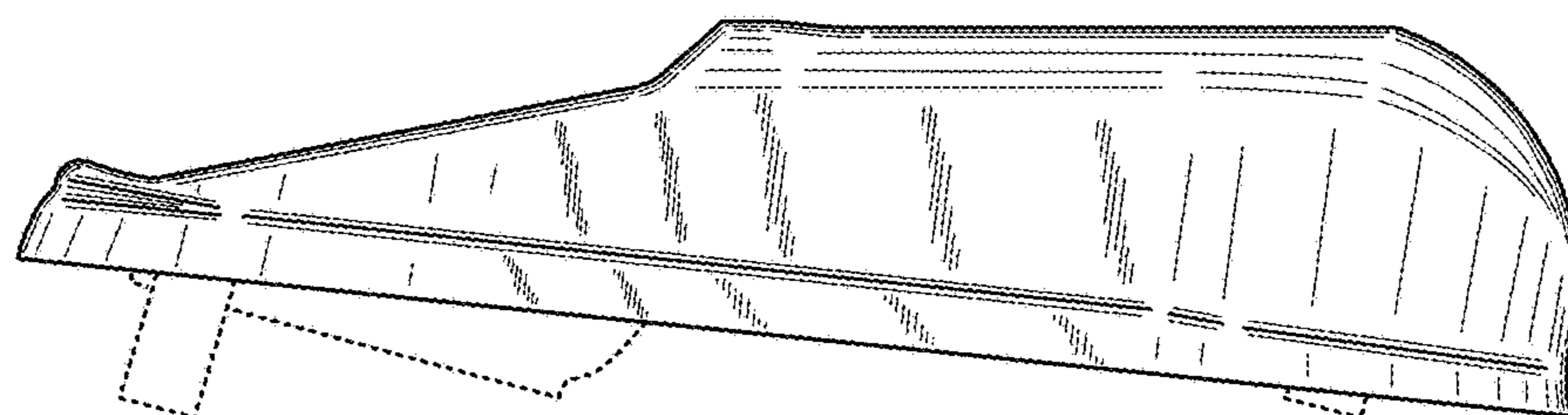


Fig. 4

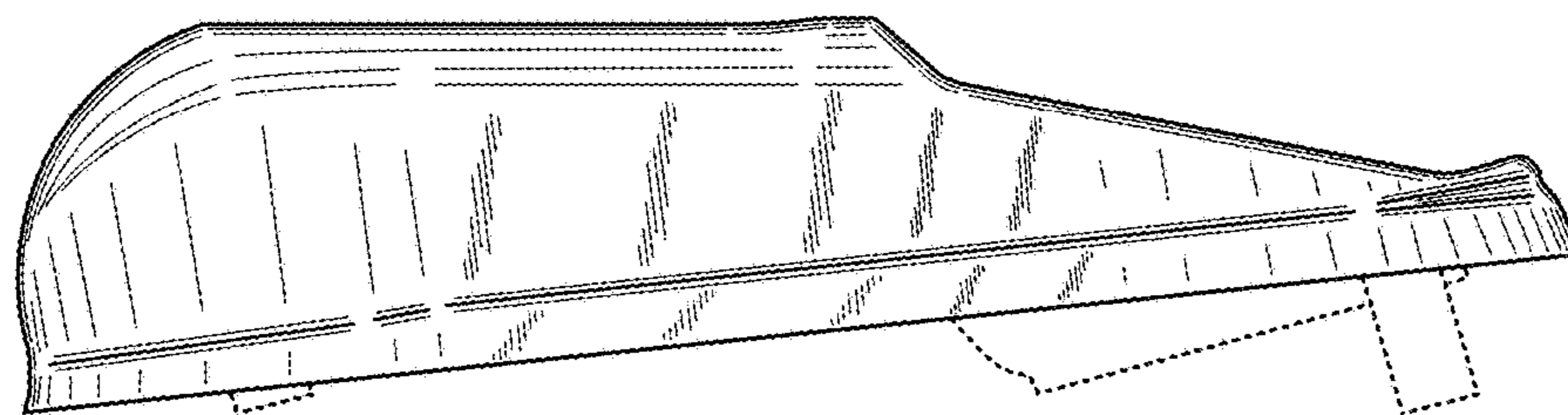


Fig. 5

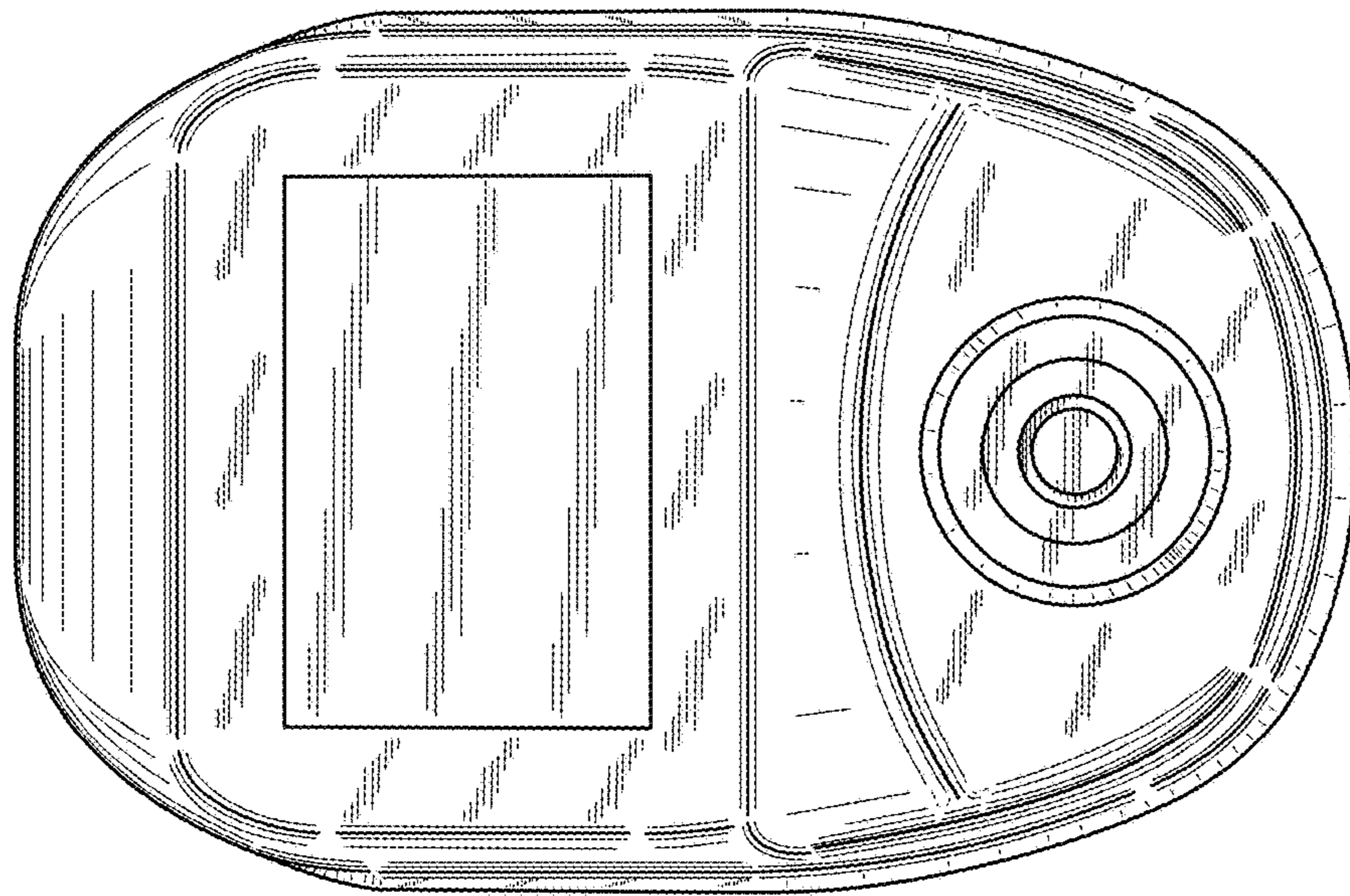


Fig. 6

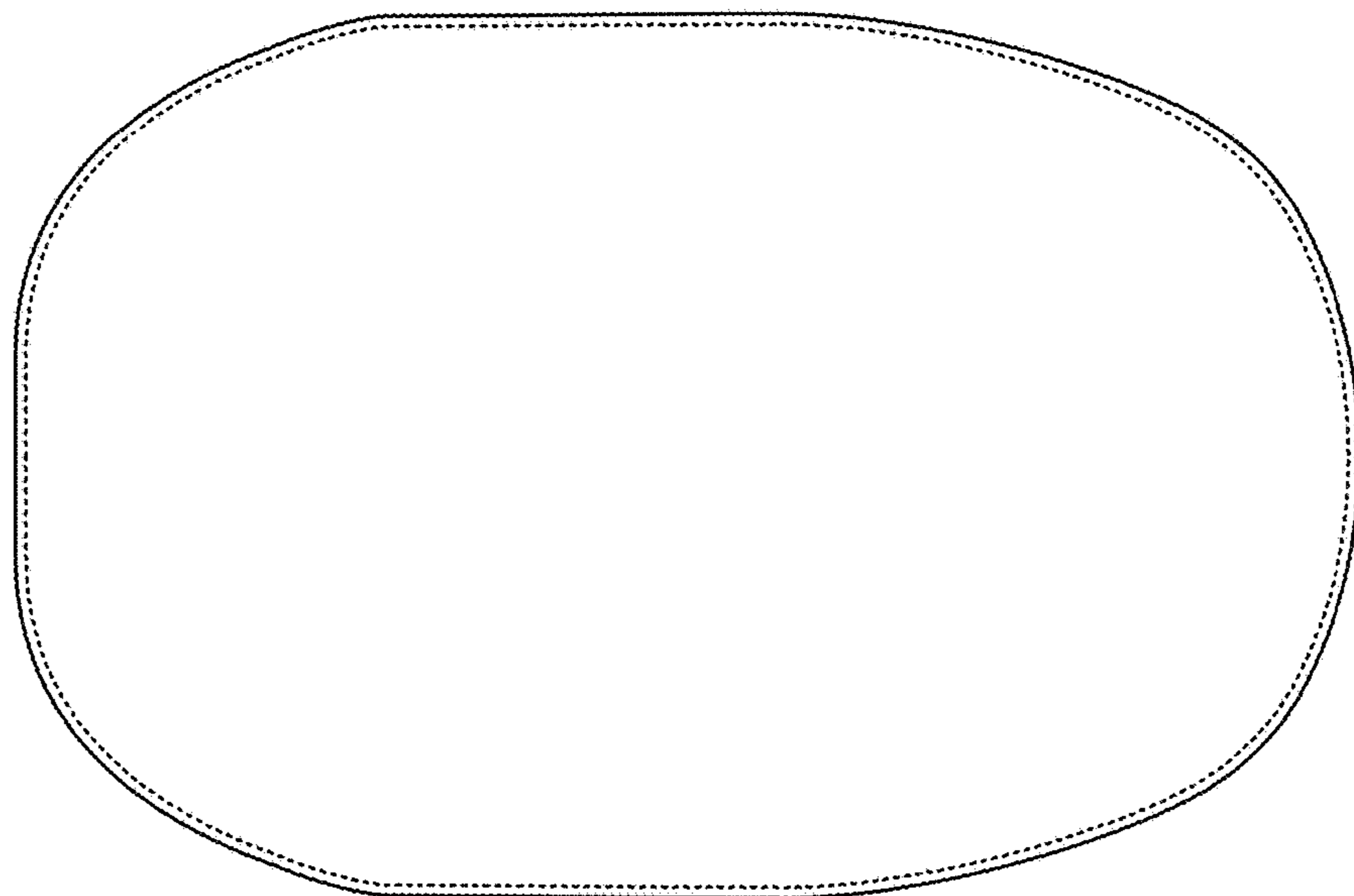


Fig. 7