



US00D861757S

(12) **United States Design Patent** (10) **Patent No.:** **US D861,757 S**
Wakisaka et al. (45) **Date of Patent:** **** Oct. 1, 2019**

(54) **INNER RING FOR TAPERED ROLLER BEARING**

D703,160 S 4/2014 Tanimura
D770,992 S 11/2016 Tauchi
D809,033 S * 1/2018 Wakisaka D15/143
D830,434 S * 10/2018 Wakisaka D15/143
D830,435 S * 10/2018 Wakisaka D15/143

(71) Applicant: **NTN CORPORATION**, Osaka-shi, Osaka (JP)

(72) Inventors: **Takashi Wakisaka**, Kuwana (JP); **Yasuyoshi Hayashi**, Kuwana (JP)

(73) Assignee: **NTN CORPORATION**, Osaka-shi, Osaka (JP)

(**) Term: **15 Years**

(21) Appl. No.: **29/662,361**

(22) Filed: **Sep. 5, 2018**

Related U.S. Application Data

(62) Division of application No. 29/549,672, filed on Dec. 28, 2015, now Pat. No. Des. 830,434.

(51) **LOC (12) Cl.** **15-09**

(52) **U.S. Cl.**
USPC **D15/143**

(58) **Field of Classification Search**
USPC D15/143, 199
CPC F16C 19/30; F16C 19/305; F16C 33/37; F16C 33/51; F16C 33/49; F16C 33/50; F16C 33/541; F16C 33/543; F16C 33/546; F16C 33/565; F16C 33/4676; F16C 33/4682; F16C 33/6696
See application file for complete search history.

(56) **References Cited**

U.S. PATENT DOCUMENTS

D322,553 S 12/1991 Kanemitsu
D338,621 S 8/1993 Balson

FOREIGN PATENT DOCUMENTS

IN 253358 4/2013

* cited by examiner

Primary Examiner — Patricia A Palasik

(74) *Attorney, Agent, or Firm* — Muncy, Geissler, Olds & Lowe, P.C.

(57) **CLAIM**

The ornamental design for an inner ring for tapered roller bearing, as shown and described.

DESCRIPTION

FIG. 1 is a front view of the inner ring for tapered roller bearing;
FIG. 2 is a back view thereof;
FIG. 3 is a right side view thereof, the left side view being a mirror image thereof;
FIG. 4 is a top view thereof, the bottom view being a mirror image thereof;
FIG. 5 is a sectional view thereof taken along line 5-5 in FIG. 1;
FIG. 6 is an enlarged partial view thereof taken along line 6-6 in FIG. 5; and,
FIG. 7 is a reference perspective view thereof.
The broken lines in the drawings depict portions of the inner ring for tapered roller bearing which form no part of the claimed design.

1 Claim, 4 Drawing Sheets

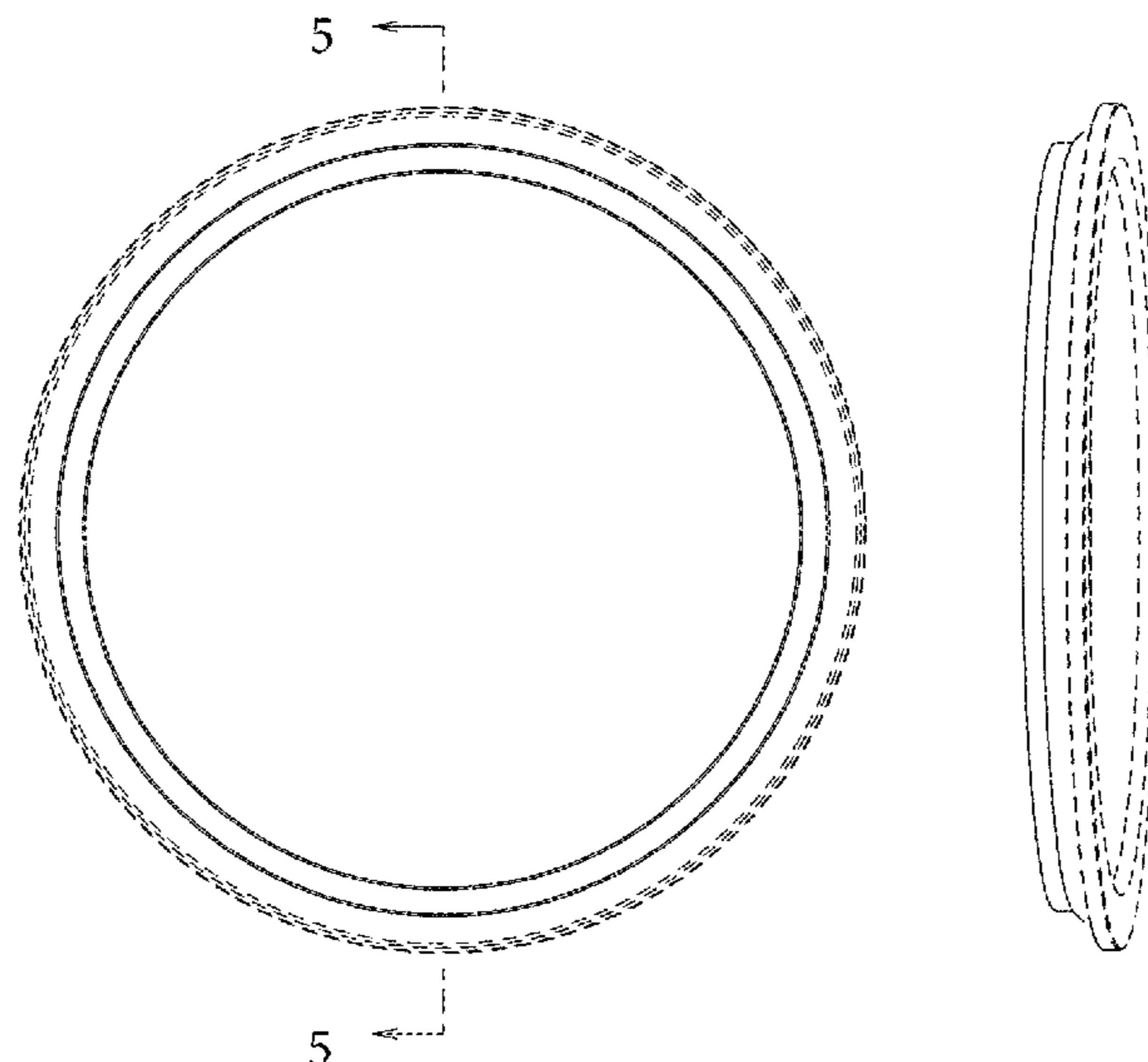


Fig. 1

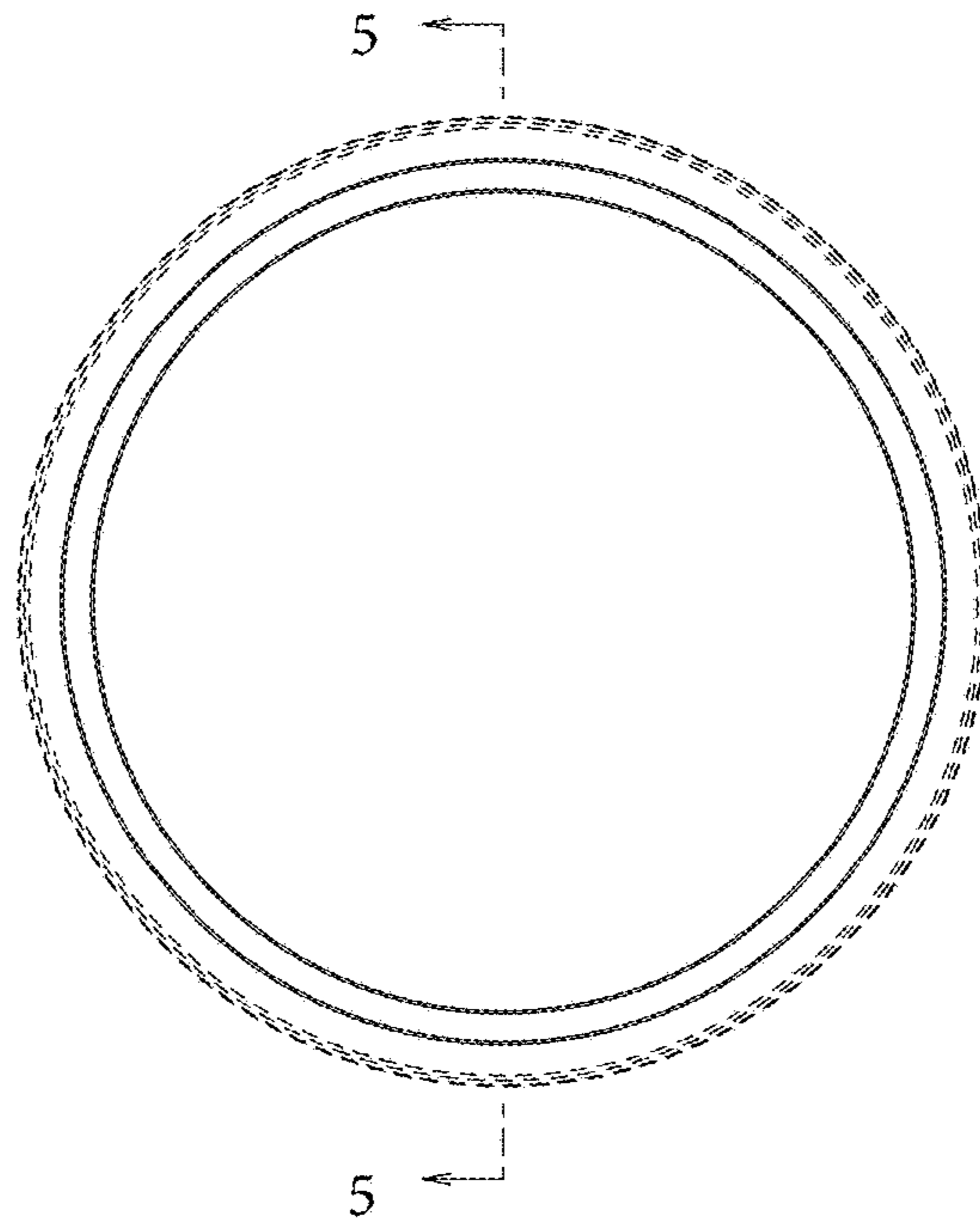


Fig. 2

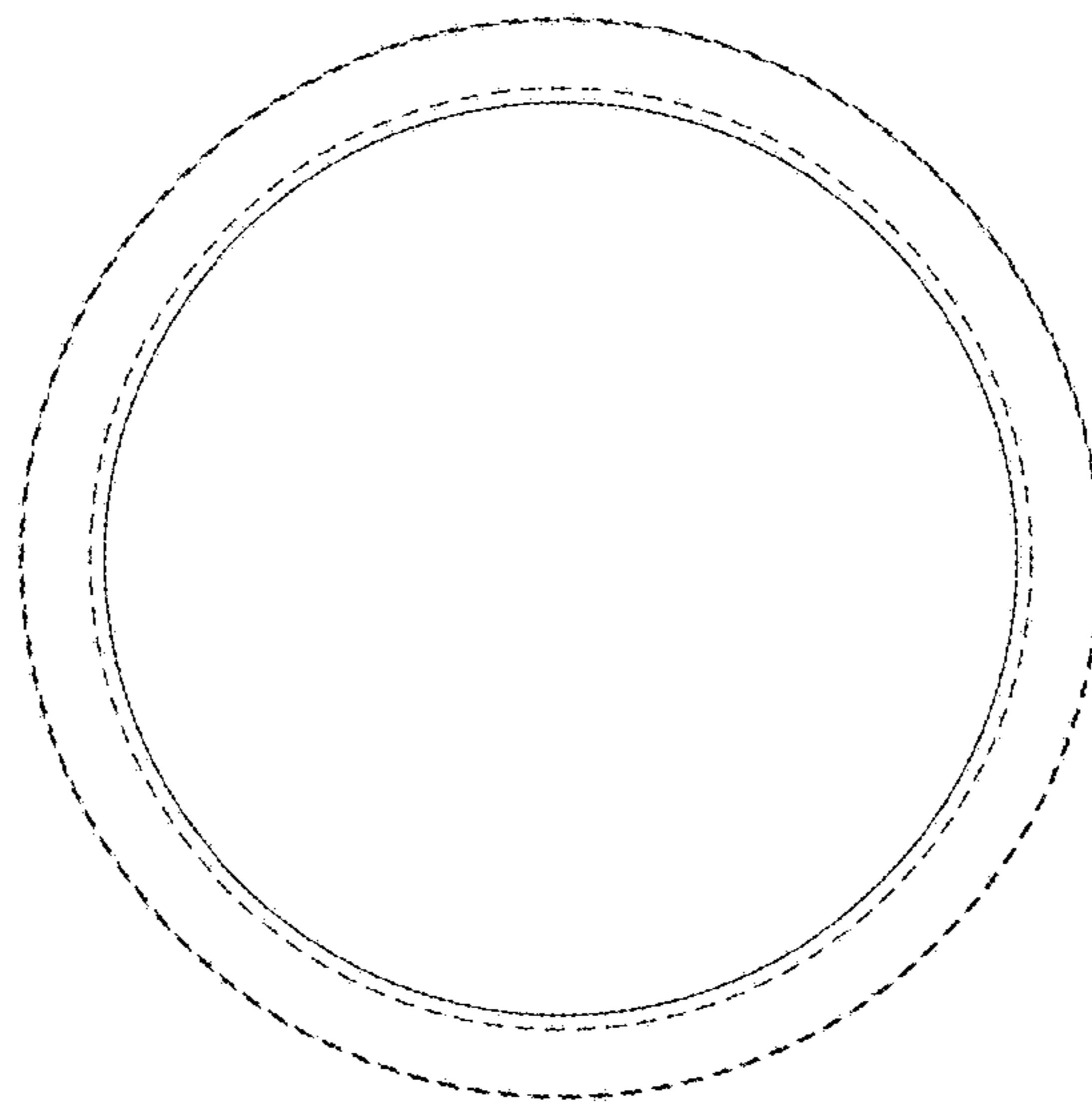


Fig. 3

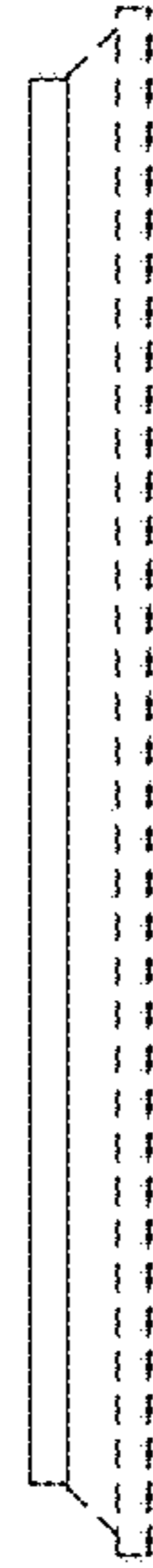


Fig. 4

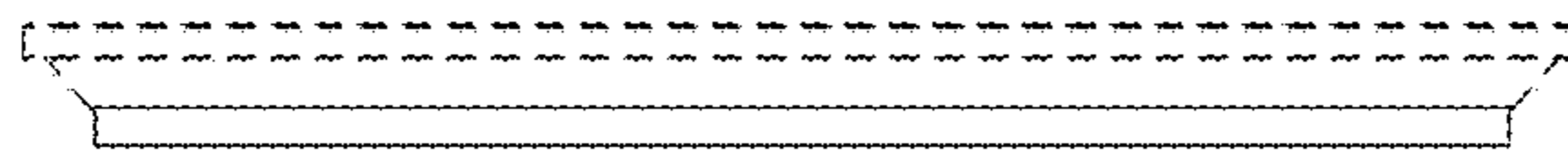


Fig. 5

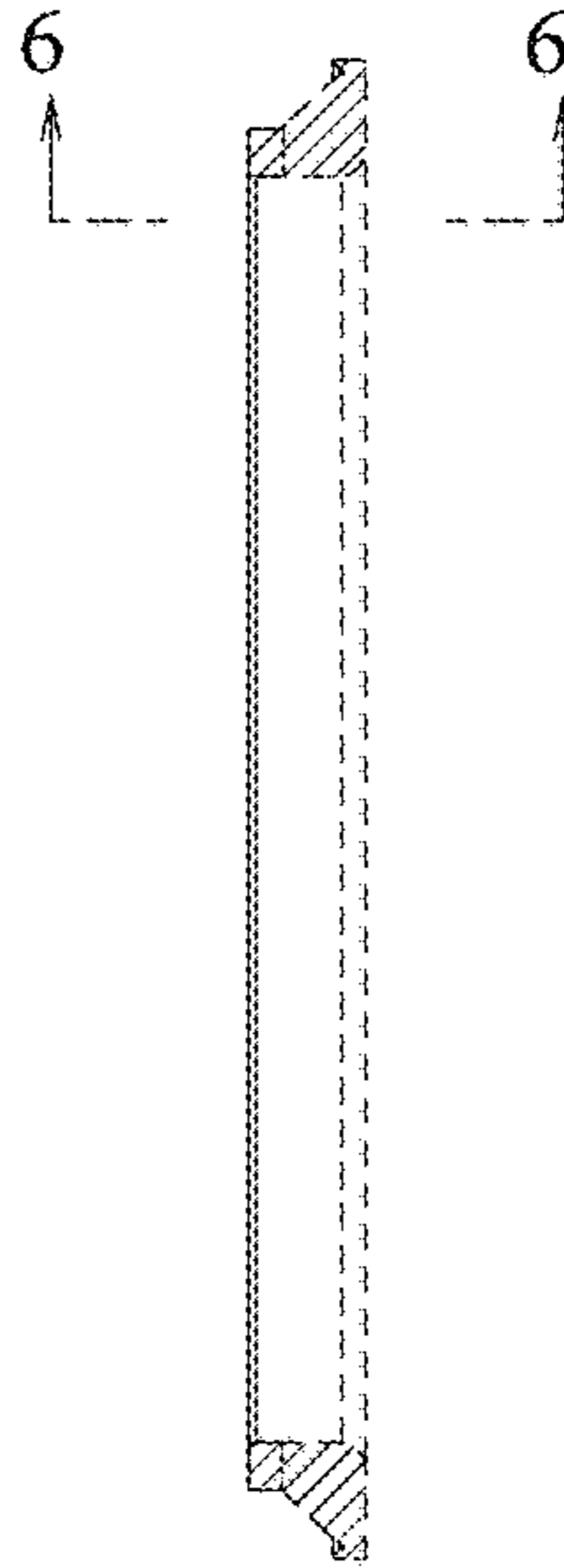


Fig. 6

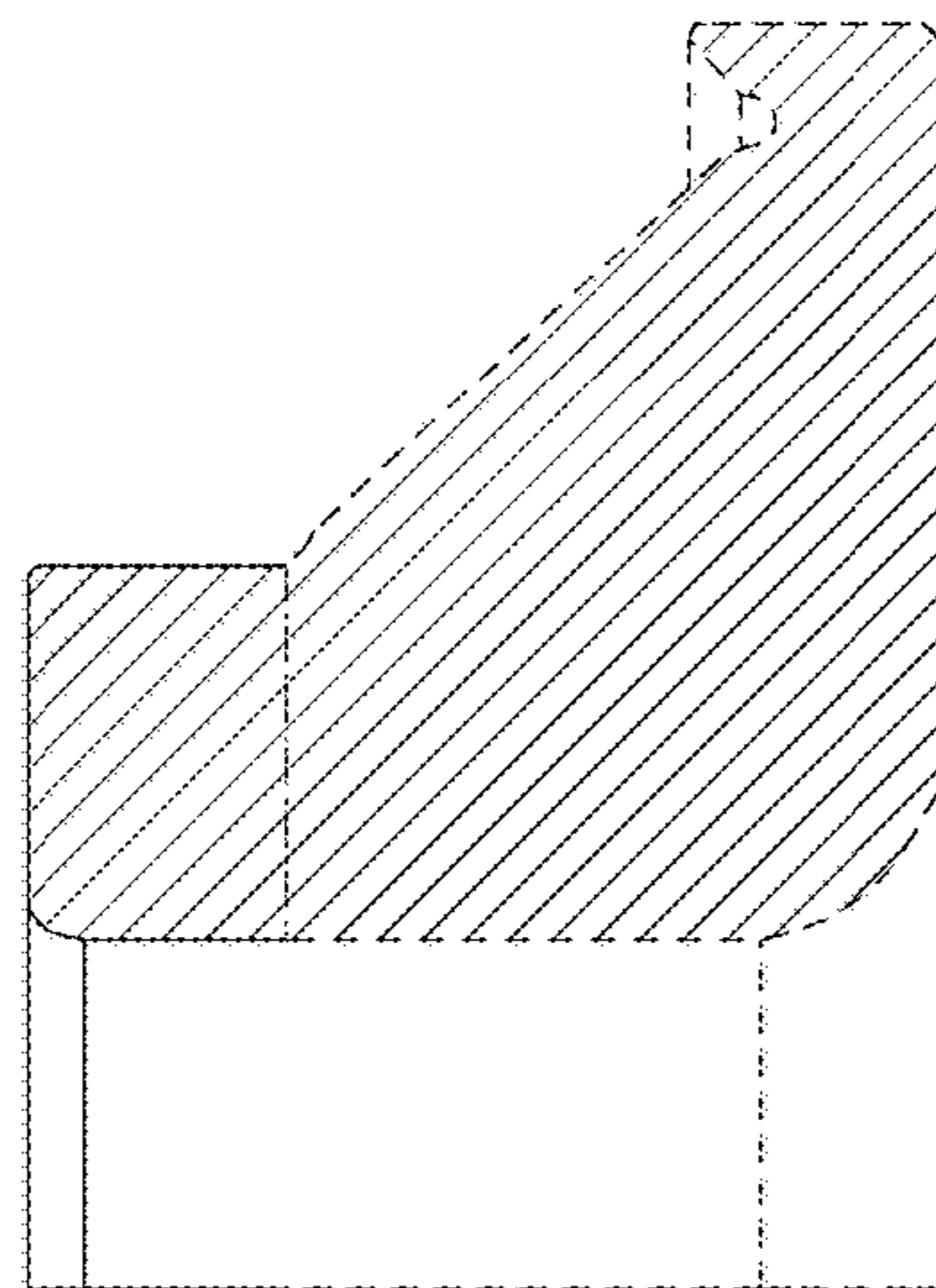


Fig. 7

