



US00D861756S

(12) **United States Design Patent** (10) **Patent No.:** **US D861,756 S**
Pop (45) **Date of Patent:** **** Oct. 1, 2019**

(54) **VEHICLE CONTROL ARM BUSHING**
(71) Applicant: **Alexandru Pop**, Aliso Viejo, CA (US)
(72) Inventor: **Alexandru Pop**, Aliso Viejo, CA (US)
(**) Term: **15 Years**
(21) Appl. No.: **29/599,383**
(22) Filed: **Apr. 3, 2017**
(51) **LOC (12) Cl.** **15-03**
(52) **U.S. Cl.**
USPC **D15/143**
(58) **Field of Classification Search**
USPC D15/5, 138, 143; D12/400, 159, 161,
D12/206; D8/358, 359, 356; D14/484;
D3/24
CPC B60G 3/20; B60G 2206/122; B60G 7/02;
B60G 2200/156; B60G 2200/18; B60G
2204/143; B60G 7/001; B60G 7/008;
B60G 11/14; B60G 2200/1424; B60G
2200/144; B60G 2200/154; B60G
2204/148; B60G 2204/41; B60G 2500/30;
B60G 3/02; B60G 3/06; B60G 11/27;
B60G 11/48; B60G 13/003; B60G
13/005; B60G 13/16; B60G 15/02; B60G
15/06; B60G 15/062; B60G 15/065;
B60G 15/12; B60G 17/005; B60G
17/0155; B60G 17/016; B60G 17/017;
B60G 17/0272; B60G 17/052; B60G
17/0521; B60G 17/0523; B60G 17/0526;
B60G 21/007; B60G 21/0051; B60G
2200/00; B60G 2200/14; B60G 2200/142;
B60G 2200/17; B60G 2200/46; B60G
2202/12; B60G 2202/135; B60G
2202/152; B60G 2202/24; B60G
2202/242; B60G 2202/31; B60G
2202/312; B60G 2202/314; B60G
2202/412; B60G 2202/413; B60G
2204/1244; B60G 2204/128; B60G
2204/129; B60G 2204/14; B60G
2204/1431; B60G 2204/413; B60G
2204/4302; B60G 2204/44; B60G
2204/61; B60G 2204/82; B60G
2206/0116; B60G 2206/014; B60G

2206/016; B60G 2206/10; B60G 2206/12;
B60G 2206/16; B60G 2206/424; B60G
2206/606; B60G 2206/7101; B60G
2206/7102; B60G 2206/80; B60G
2206/81; B60G

(Continued)

(56) **References Cited**

U.S. PATENT DOCUMENTS

2,828,090 A * 3/1958 Steinback B65H 75/14
242/118.7
3,266,749 A * 8/1966 Tripini B65H 75/14
242/118.7

(Continued)

Primary Examiner — Khawaja Anwar
(74) *Attorney, Agent, or Firm* — MU P.C.

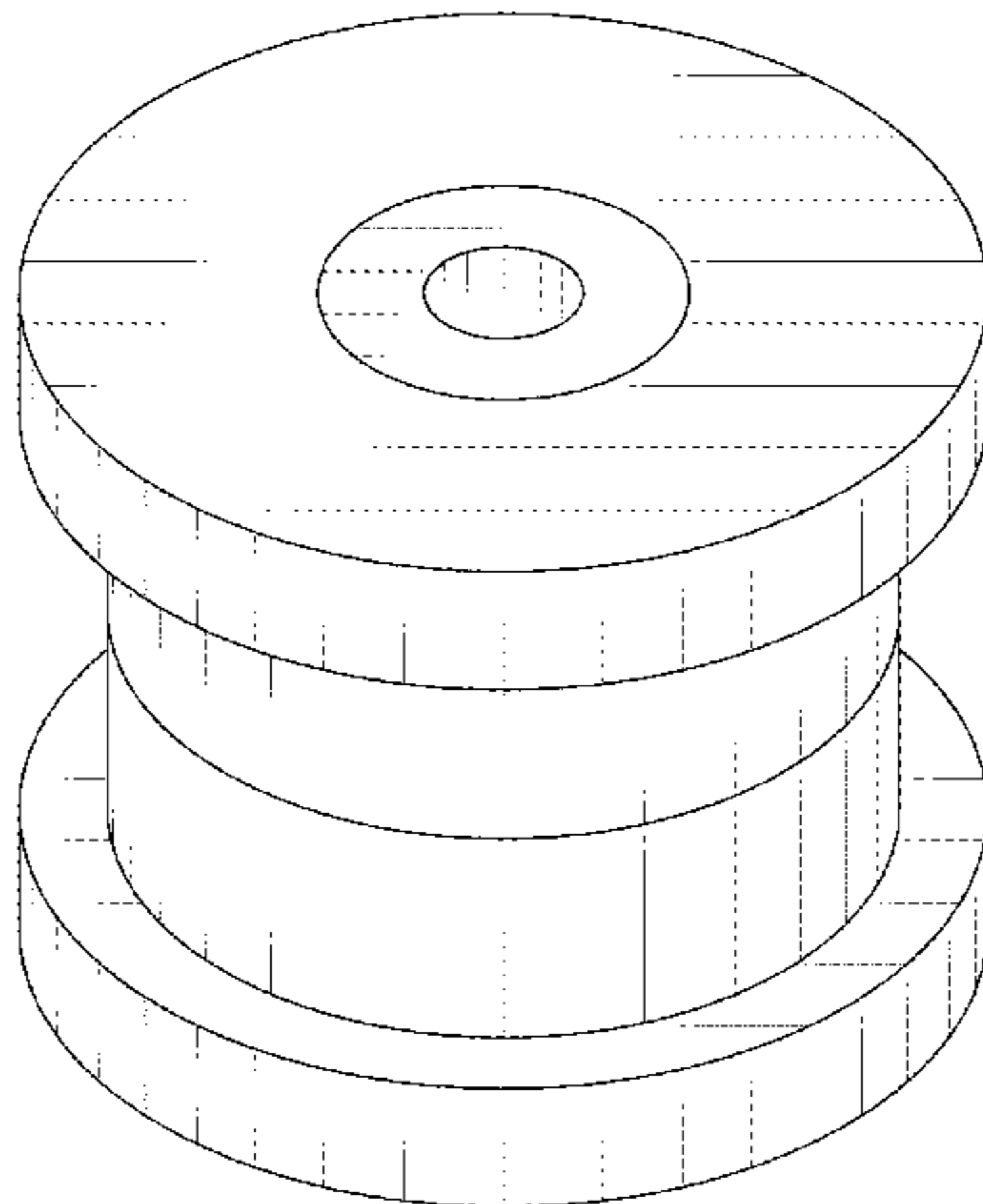
(57) **CLAIM**

The ornamental design for a vehicle control arm bushing, as shown and described.

DESCRIPTION

FIG. 1 is a front perspective view of a vehicle control arm bushing showing our new design;
FIG. 2 is a front elevational view thereof, the rear elevational view being identical;
FIG. 3 is a top plan view thereof, the bottom plan view being identical;
FIG. 4 is a left side elevational view thereof the right side being identical;
FIG. 5 is a front perspective view of another embodiment of the vehicle control arm bushing;
FIG. 6 is a front elevational view thereof, the rear elevational view being identical;
FIG. 7 is a top plan view thereof, the bottom plan view being identical; and,
FIG. 8 is a left side elevational view thereof the right side being identical.

1 Claim, 8 Drawing Sheets



US D861,756 S

Page 2

(58) **Field of Classification Search**

CPC 2206/81012; B60G 2206/8102; B60G
2206/811; B60G 2206/82; B60G
2206/8201; B60G 2206/8207; B60G
2206/83; B60G 2206/91; B60G 2300/02;
B60G 2300/07; B60G 2300/122; B60G
2300/124; B60G 2300/13; B60G
2300/402; B60G 2300/45; B60G
2400/252; B60G 2400/51; B60G
2400/51222; B60G 2400/60; B60G
2401/172; B60G 2500/201; B60G
2800/01; B60G 2800/012; B60G
2800/162; B60G 2800/20; B60G 3/202;
B60G 5/00; B60G 7/00; B60G 7/005

See application file for complete search history.

(56)

References Cited

U.S. PATENT DOCUMENTS

D207,708 S * 5/1967 Michals D6/351

3,758,045 A * 9/1973 Allen B65H 75/14
242/125.2
4,083,450 A * 4/1978 La Mar B65H 75/14
206/416
D341,606 S * 11/1993 Reilly D15/143
D358,931 S * 6/1995 Vanhuyse D3/24
5,791,588 A * 8/1998 Lindstrand B65H 75/14
156/91
D436,021 S * 1/2001 Arnold D8/358
D491,048 S * 6/2004 Cornier D8/358
D504,307 S * 4/2005 Dayan D3/24
D523,251 S * 6/2006 Parpala D6/352
D625,172 S * 10/2010 Pauwels D8/358
D668,400 S * 10/2012 Watts D30/160
D782,180 S * 3/2017 Eberhard D3/18
D821,598 S * 6/2018 Greenhouse D24/212
D821,599 S * 6/2018 Greenhouse D24/212
2001/0038056 A1 * 11/2001 Kimura A01K 89/00
242/476.6
2003/0100417 A1 * 5/2003 Westwood A63B 23/0211
482/142
2018/0056120 A1 * 3/2018 Brown A63B 22/203

* cited by examiner

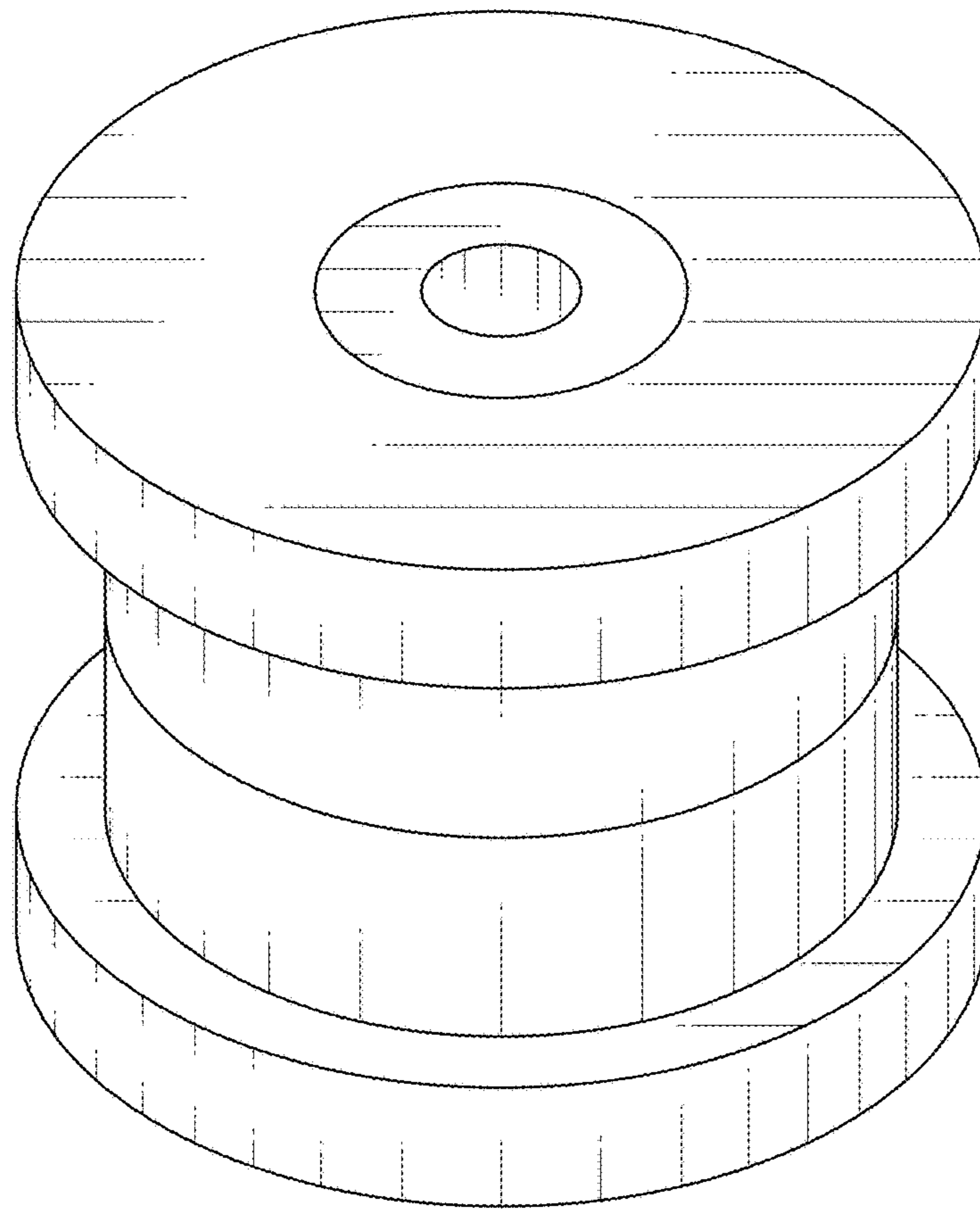


FIG. 1

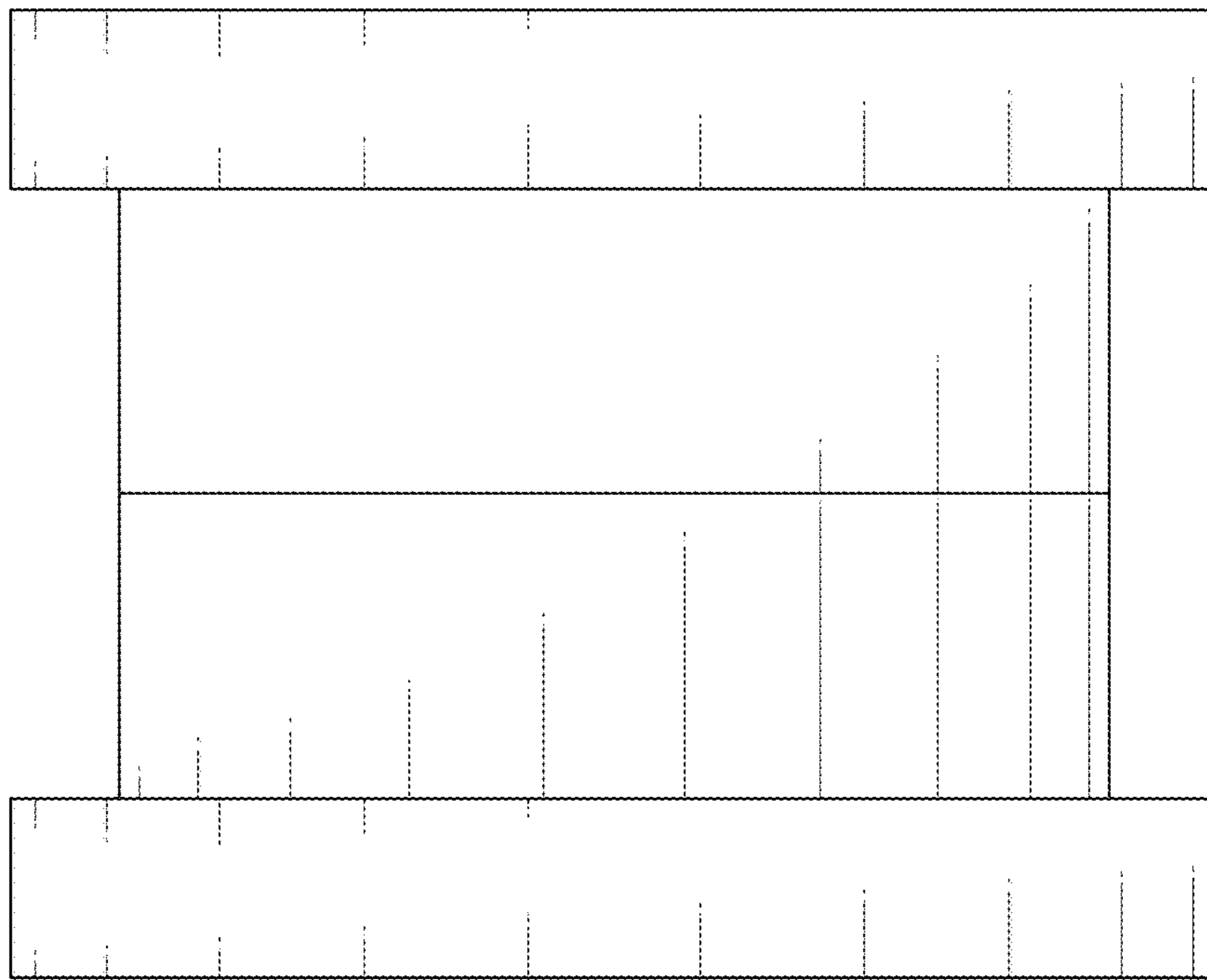


FIG. 2

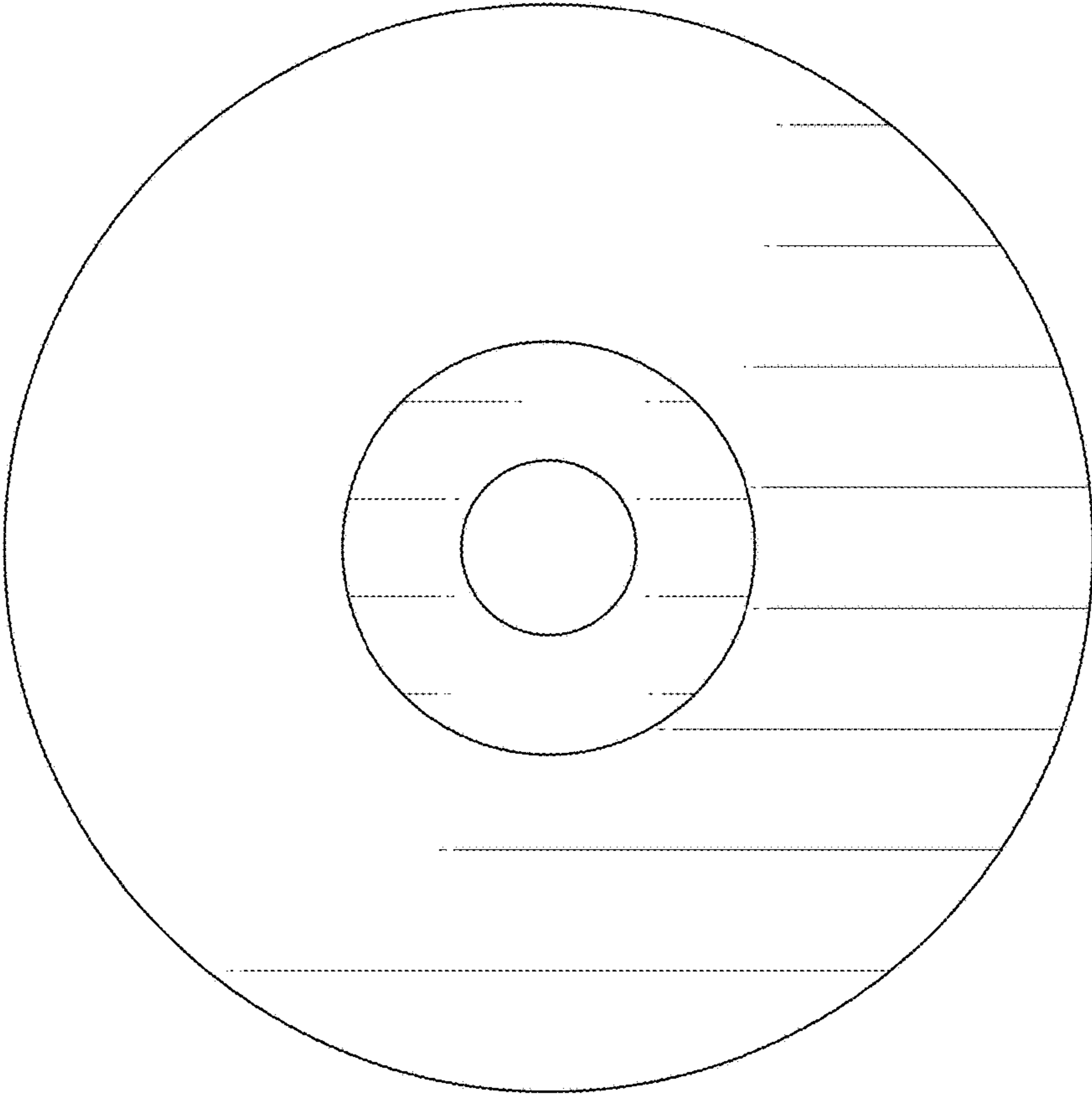


FIG. 3

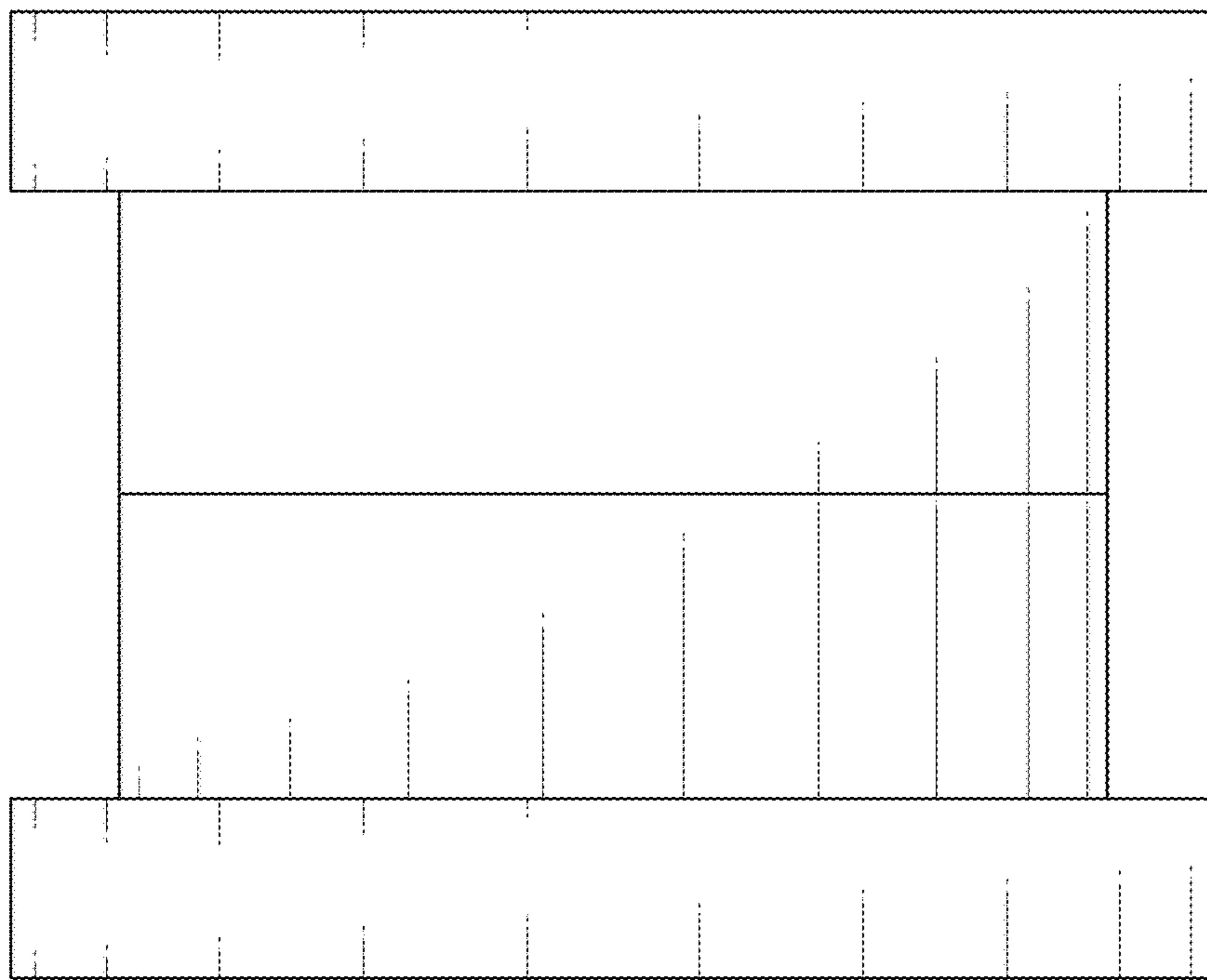


FIG. 4

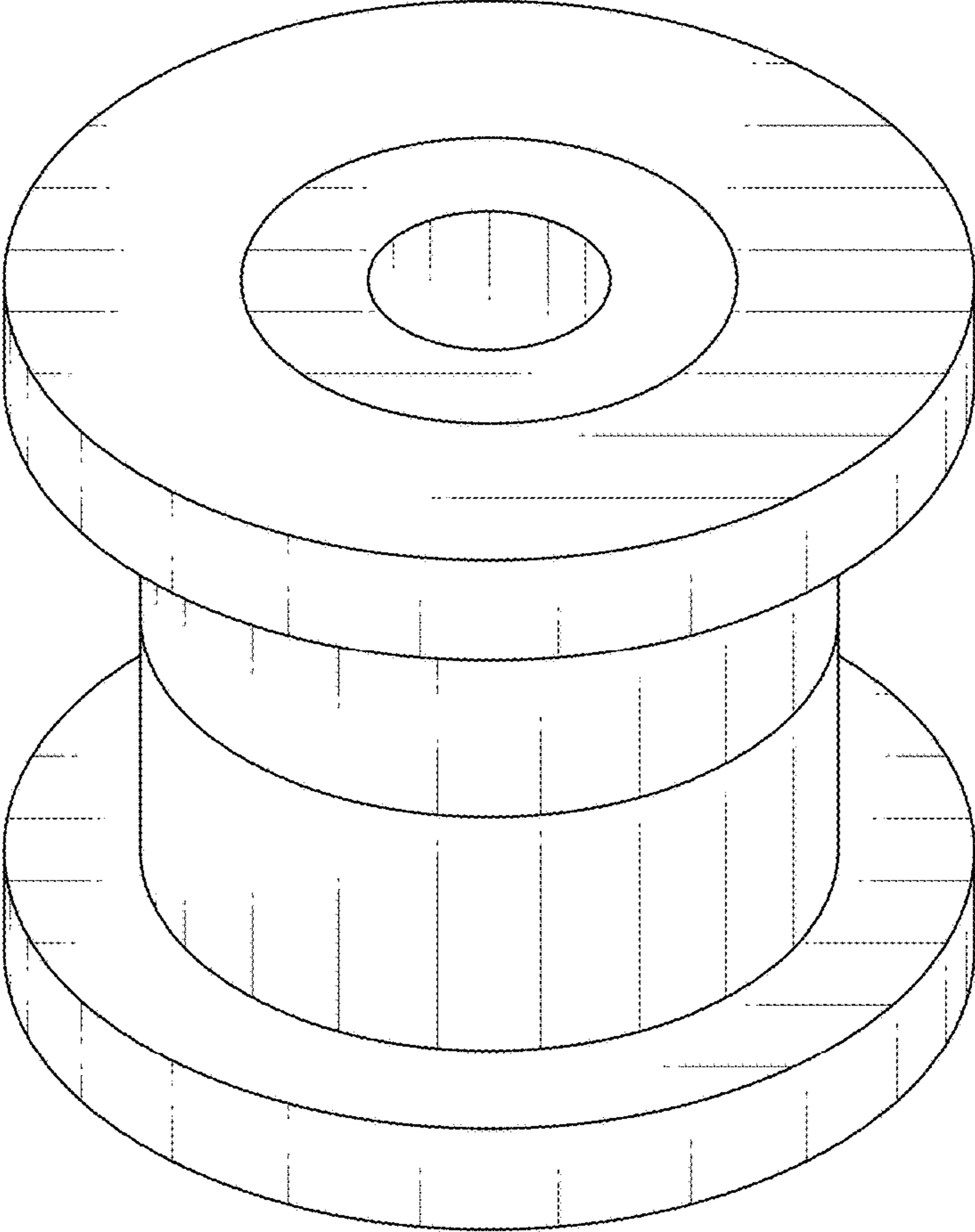


FIG. 5

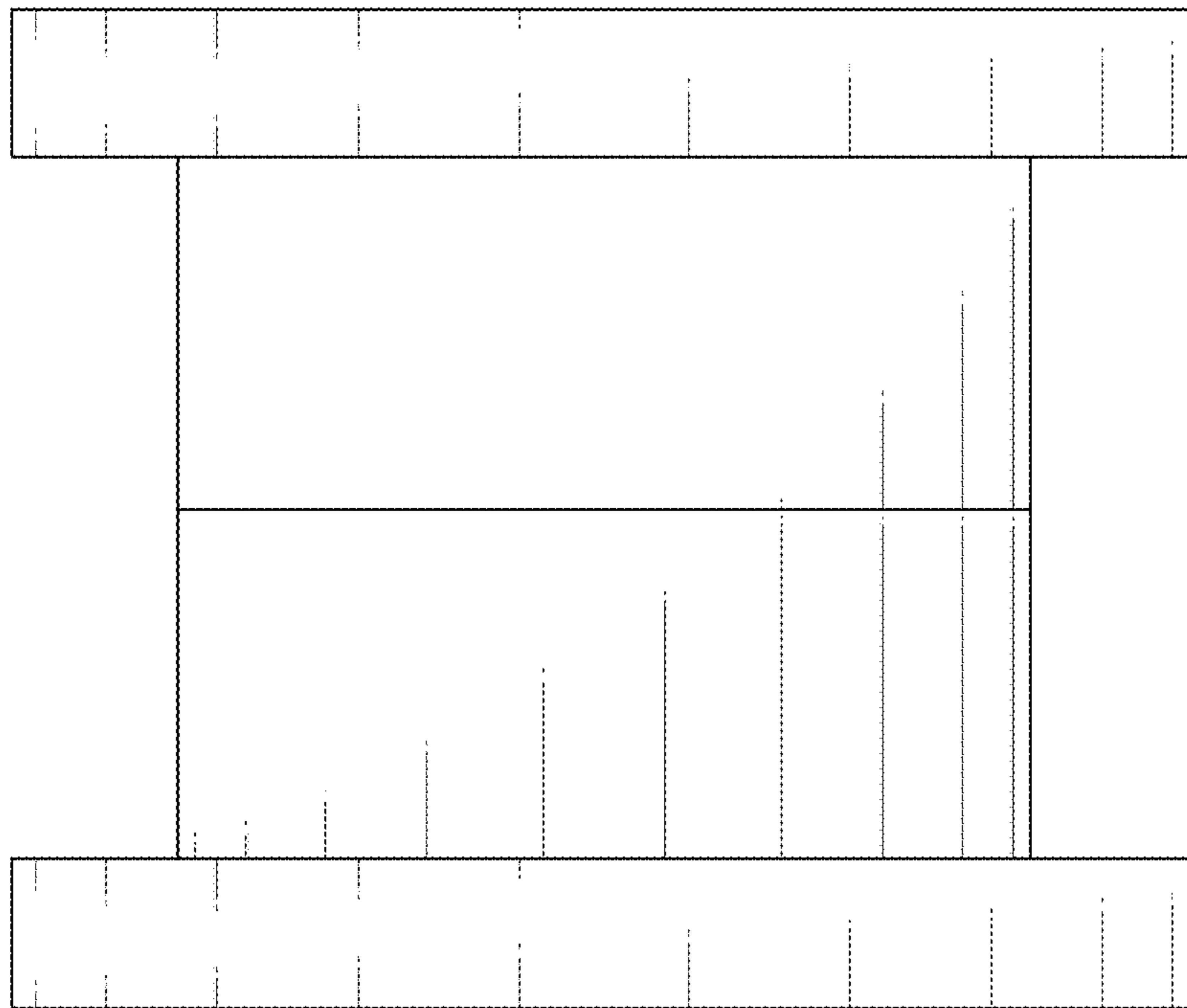


FIG. 6

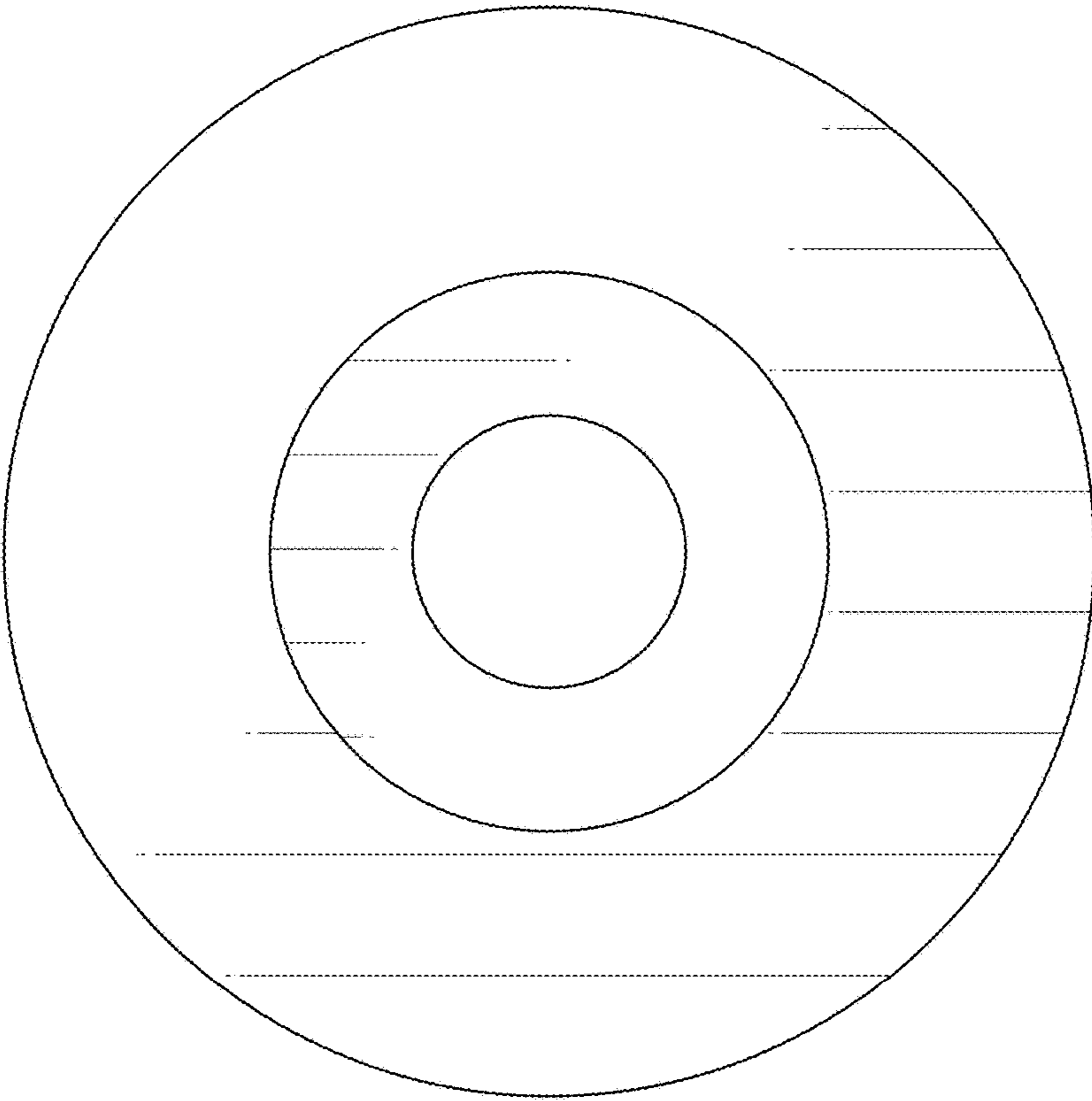


FIG. 7

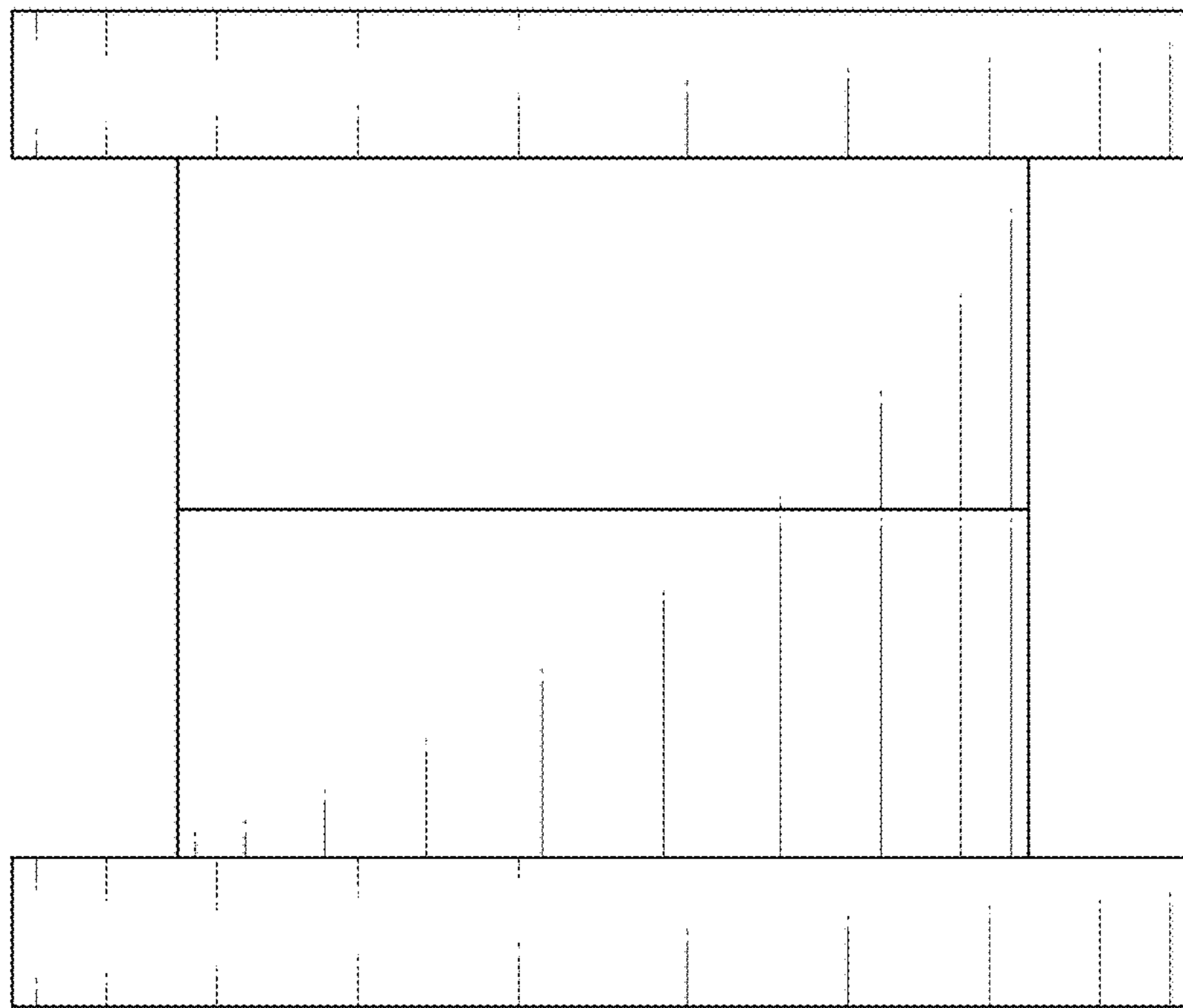


FIG. 8