



US00D861754S

(12) **United States Design Patent** (10) **Patent No.:** **US D861,754 S**
Fukuyama et al. (45) **Date of Patent:** **** Oct. 1, 2019**

(54) **CUTTING TOOL** B23C 5/2427; B23C 2200/0422; B23C 2200/08; B23C 2200/086; B23C 2200/123

(71) Applicant: **SUMITOMO ELECTRIC HARDMETAL CORP.**, Itami-shi (JP) See application file for complete search history.

(72) Inventors: **Tomoyuki Fukuyama**, Itami (JP);
Yosuke Shimamoto, Sorachi-gun (JP);
Junya Okida, Sorachi-gun (JP)

(56) **References Cited**

U.S. PATENT DOCUMENTS

(73) Assignee: **Sumitomo Electric Hardmetal Corp.**, Itami-shi (JP)

D700,225 S *	2/2014	Waggle	D15/139
D717,847 S *	11/2014	Mikado	D15/139
D735,254 S *	7/2015	O'Malley	D15/139
D748,703 S *	2/2016	Nam	D15/139
D772,318 S *	11/2016	Nam	D15/139
D772,319 S *	11/2016	Nam	D15/139

(**) Term: **15 Years**

(Continued)

(21) Appl. No.: **29/600,274**

Primary Examiner — Khawaja Anwar

(22) Filed: **Apr. 11, 2017**

(74) *Attorney, Agent, or Firm* — Baker Botts L.L.P.;
Michael A. Sartori

(30) **Foreign Application Priority Data**

Oct. 13, 2016 (JP) 2016-022308
Oct. 13, 2016 (JP) 2016-022309

(57) **CLAIM**

(51) **LOC (12) Cl.** **15-03**

The ornamental design for a cutting tool, as shown and described.

(52) **U.S. Cl.**
USPC **D15/139**

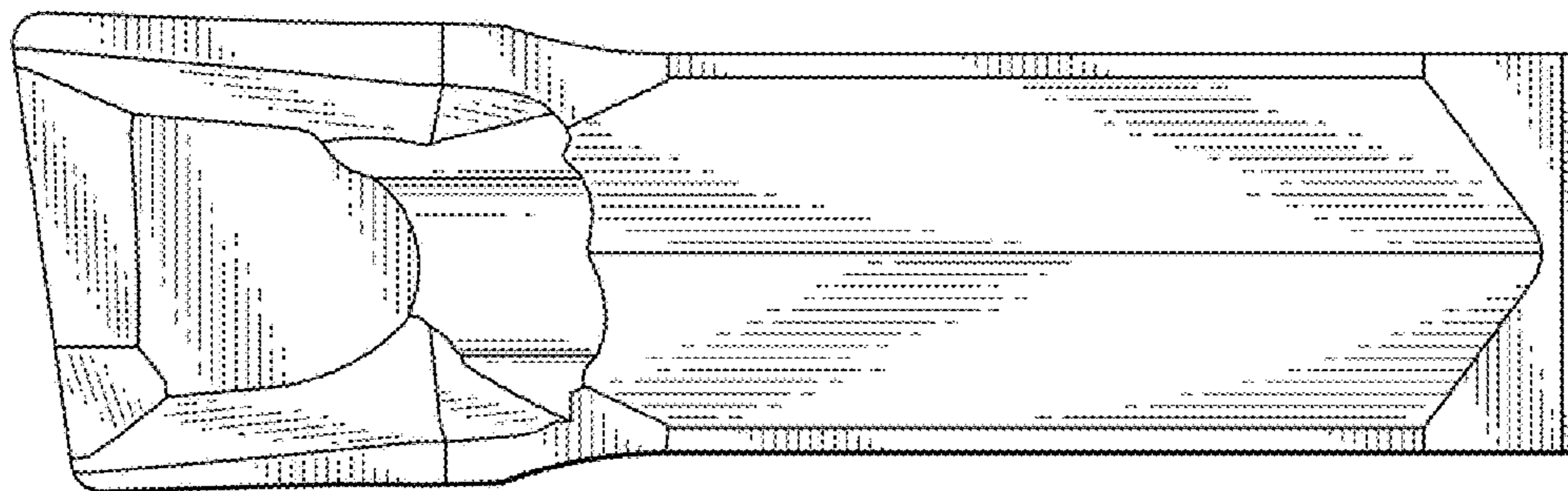
DESCRIPTION

(58) **Field of Classification Search**

USPC D15/124-144; D8/70, 90, 98, 120
CPC B23C 2200/0411; B23C 2200/0416; B23C 2200/0433; B23C 2200/164; B23C 2200/361; B23C 2210/0457; B23C 5/006; B23C 2200/168; B23C 2210/163; B23C 2226/125; B23C 5/10; B23C 2200/081; B23C 2200/087; B23C 2200/161; B23C 2200/206; B23C 2210/02; B23C 2210/03; B23C 2210/166; B23C 2210/50; B23C 2226/315; B23C 5/2208; B23C 5/2472; B23C 2200/0477; B23C 2200/0483; B23C 2200/083; B23C 2200/121; B23C 2200/362; B23C 2210/0428; B23C 2210/0435; B23C 2210/16; B23C 2220/36; B23C 2220/44; B23C 2240/08; B23C 2250/12; B23C 2270/06; B23C 5/2204; B23C 5/2213; B23C 5/2247;

FIG. 1 is a front view of a cutting tool of a first embodiment showing our new design,
FIG. 2 is a rear view thereof;
FIG. 3 is a right side view thereof;
FIG. 4 is a left side view thereof;
FIG. 5 is a top view thereof;
FIG. 6 is a bottom view thereof;
FIG. 7 is a first perspective view thereof;
FIG. 8 is a second perspective view thereof;
FIG. 9 is a third perspective view thereof;
FIG. 10 is a fourth perspective view thereof;
FIG. 11 is a fifth perspective view thereof; and,
FIG. 12 is a referential view showing the state in use thereof. The broken lines shown in the referential views represent portions that form no part of the claimed design.

1 Claim, 6 Drawing Sheets



(56)

References Cited

U.S. PATENT DOCUMENTS

D777,230 S *	1/2017	Fang	D15/139
D778,330 S *	2/2017	Fang	D15/139
D812,116 S *	3/2018	Choi	D15/139
D836,143 S *	12/2018	Weinberg	D15/139
D845,361 S *	4/2019	Komiyama	D15/139

* cited by examiner

FIG.1

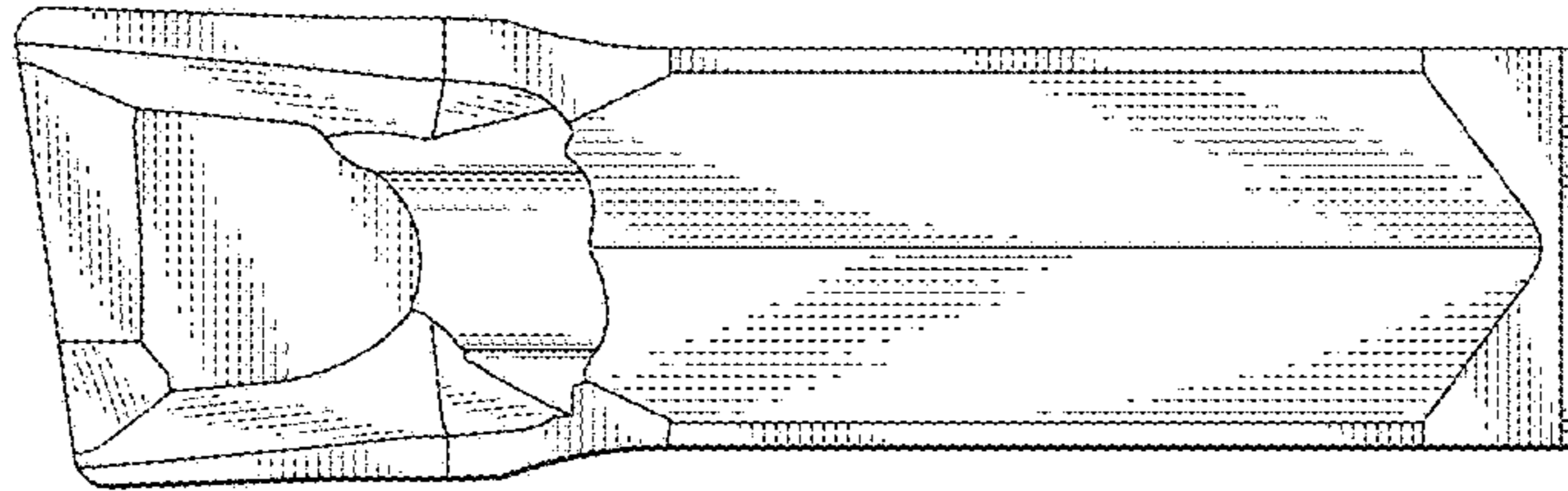


FIG.2

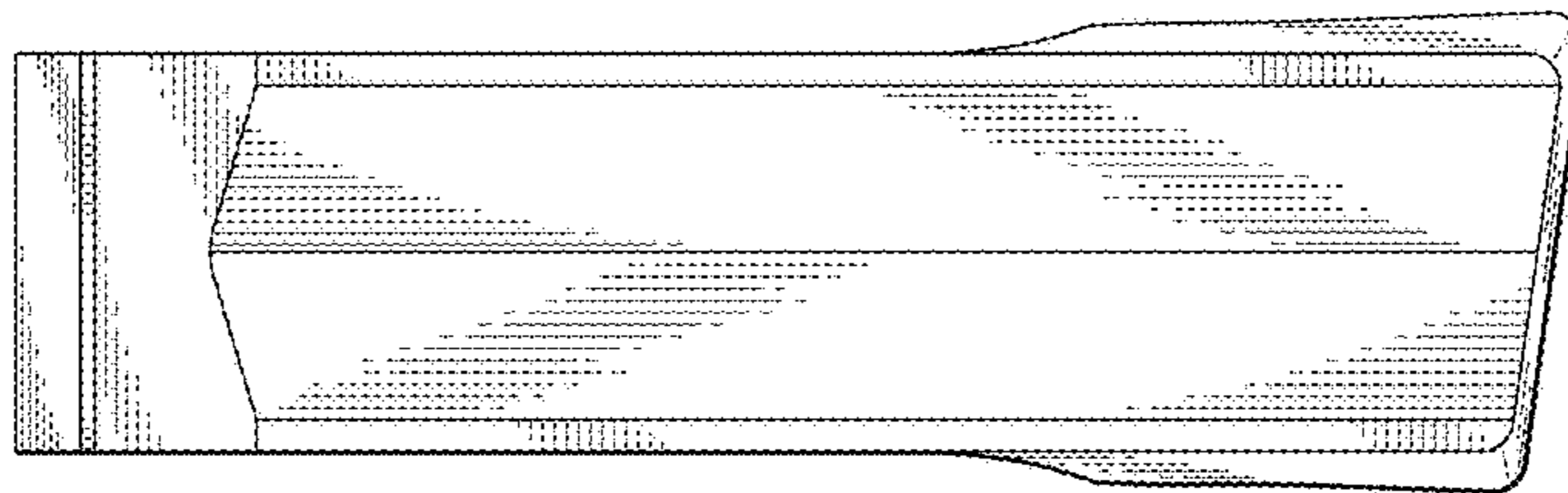


FIG.3

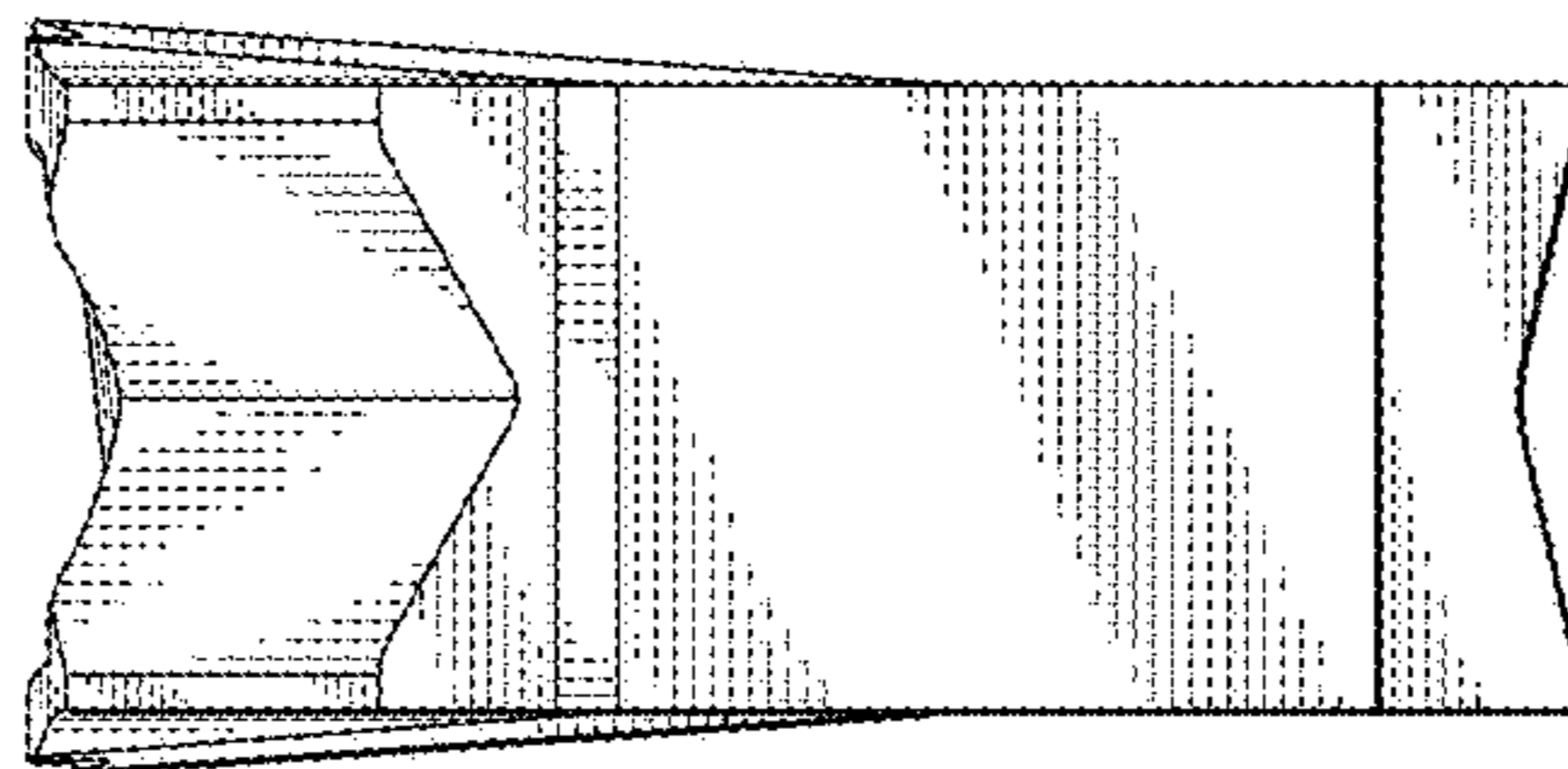


FIG.4

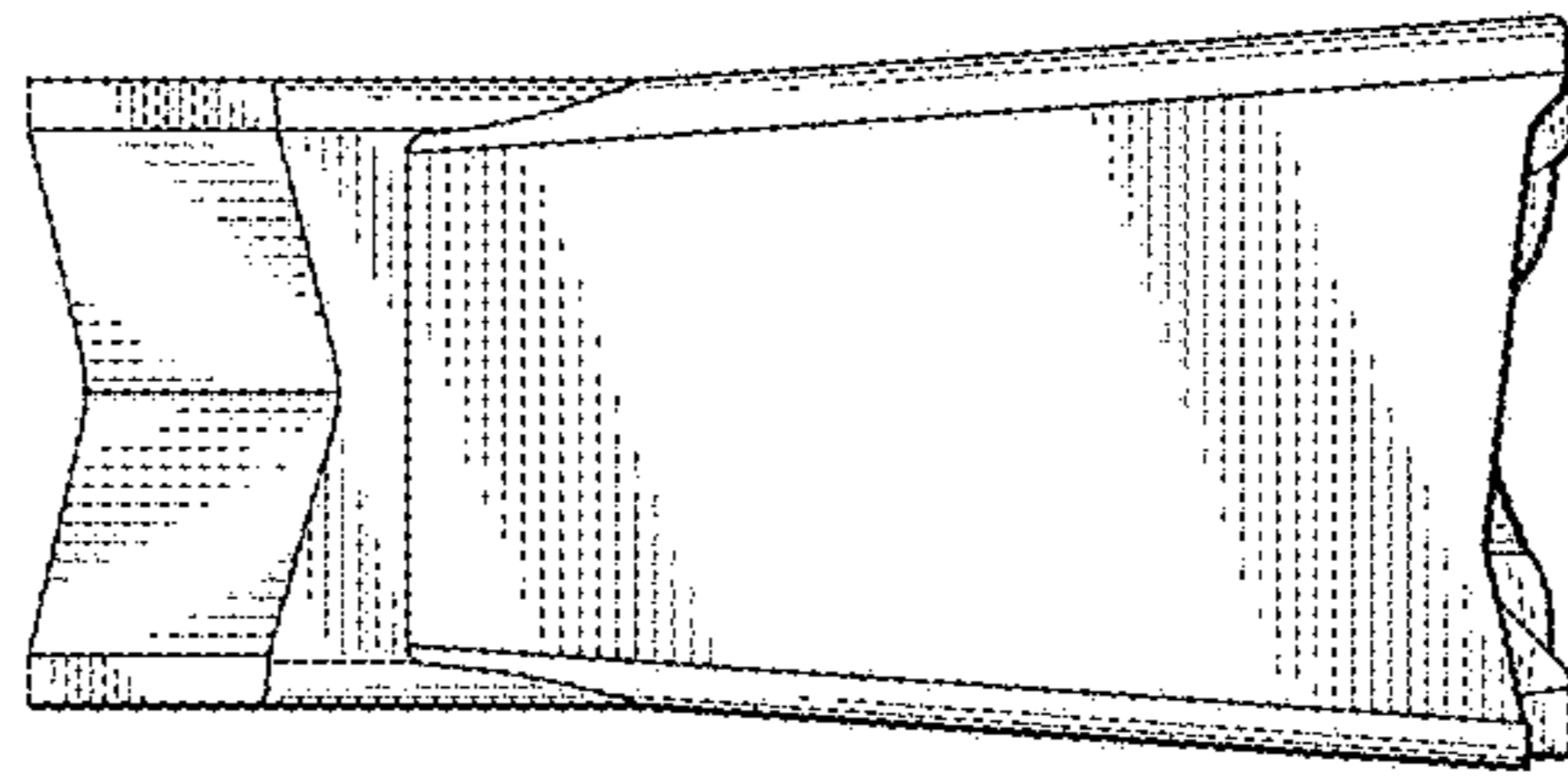


FIG.5

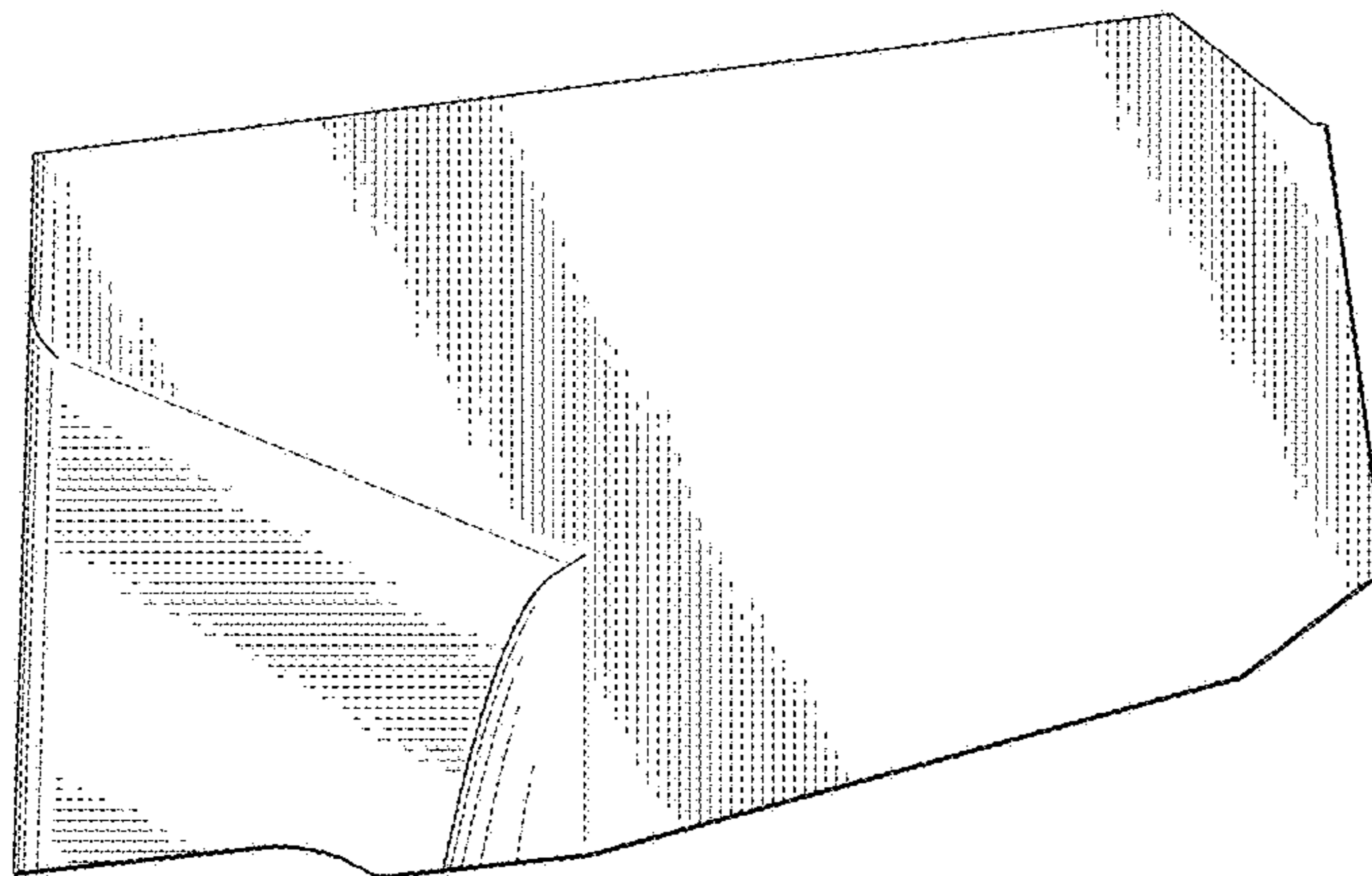


FIG.6

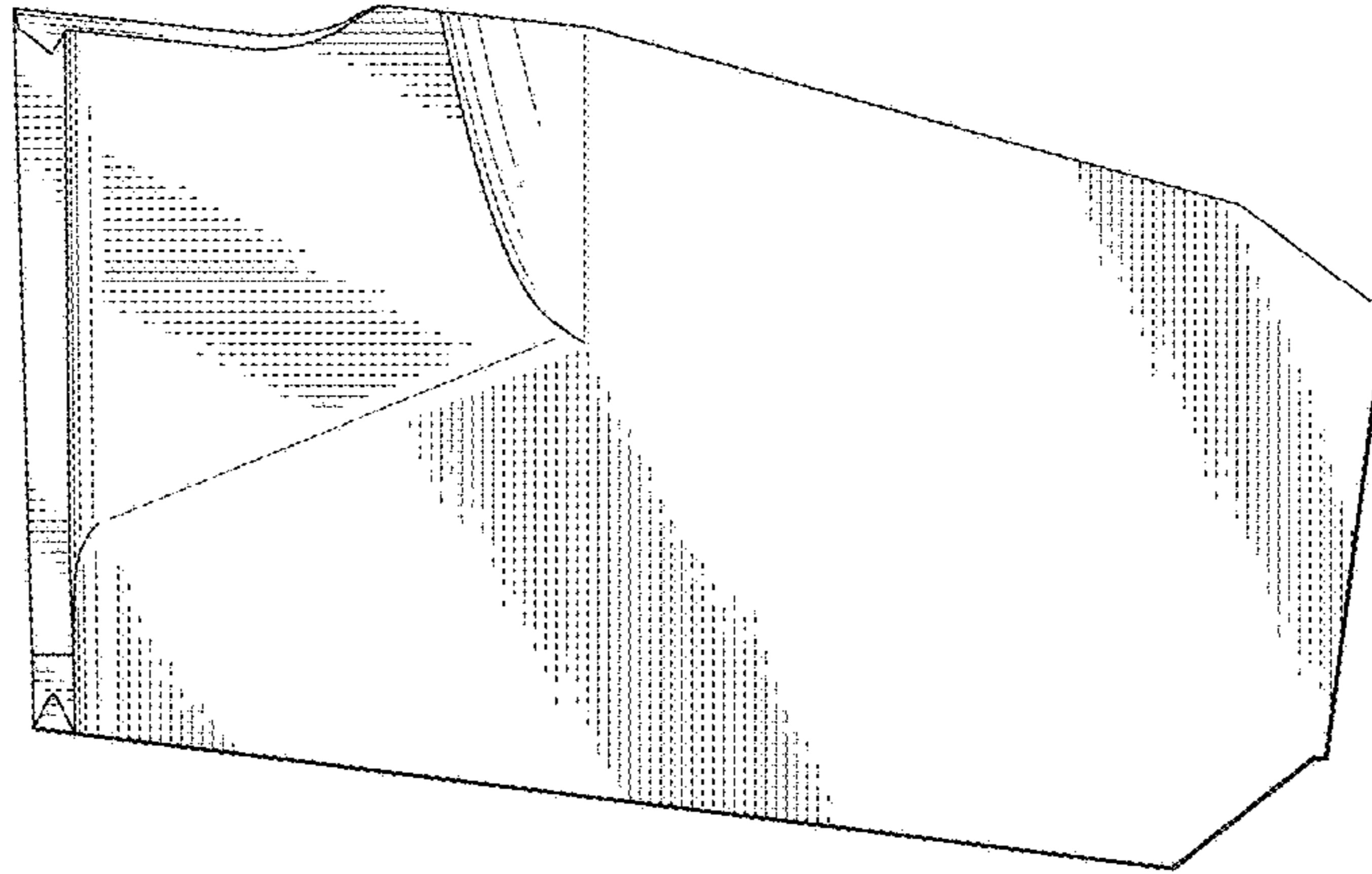


FIG.7

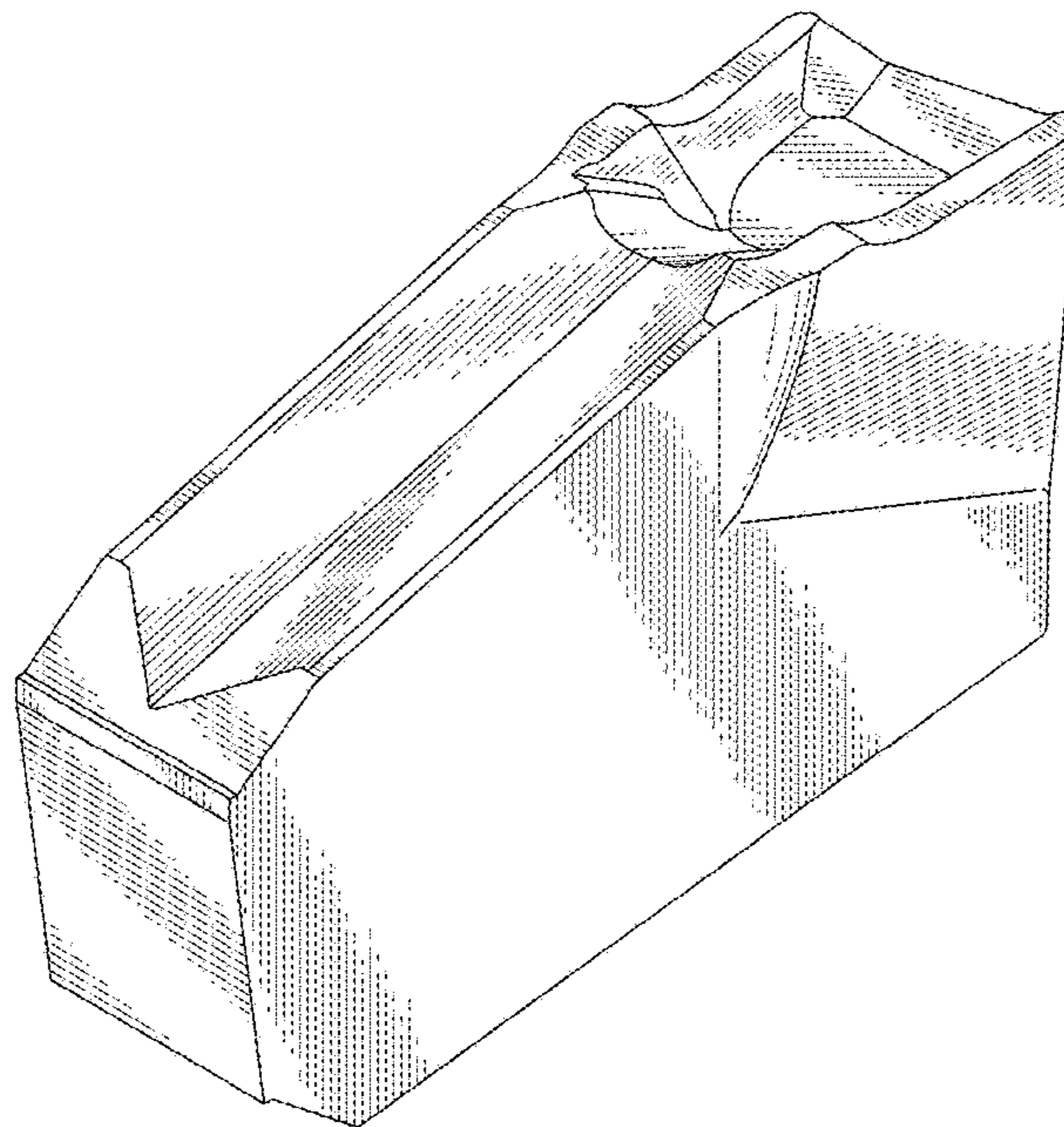


FIG.8

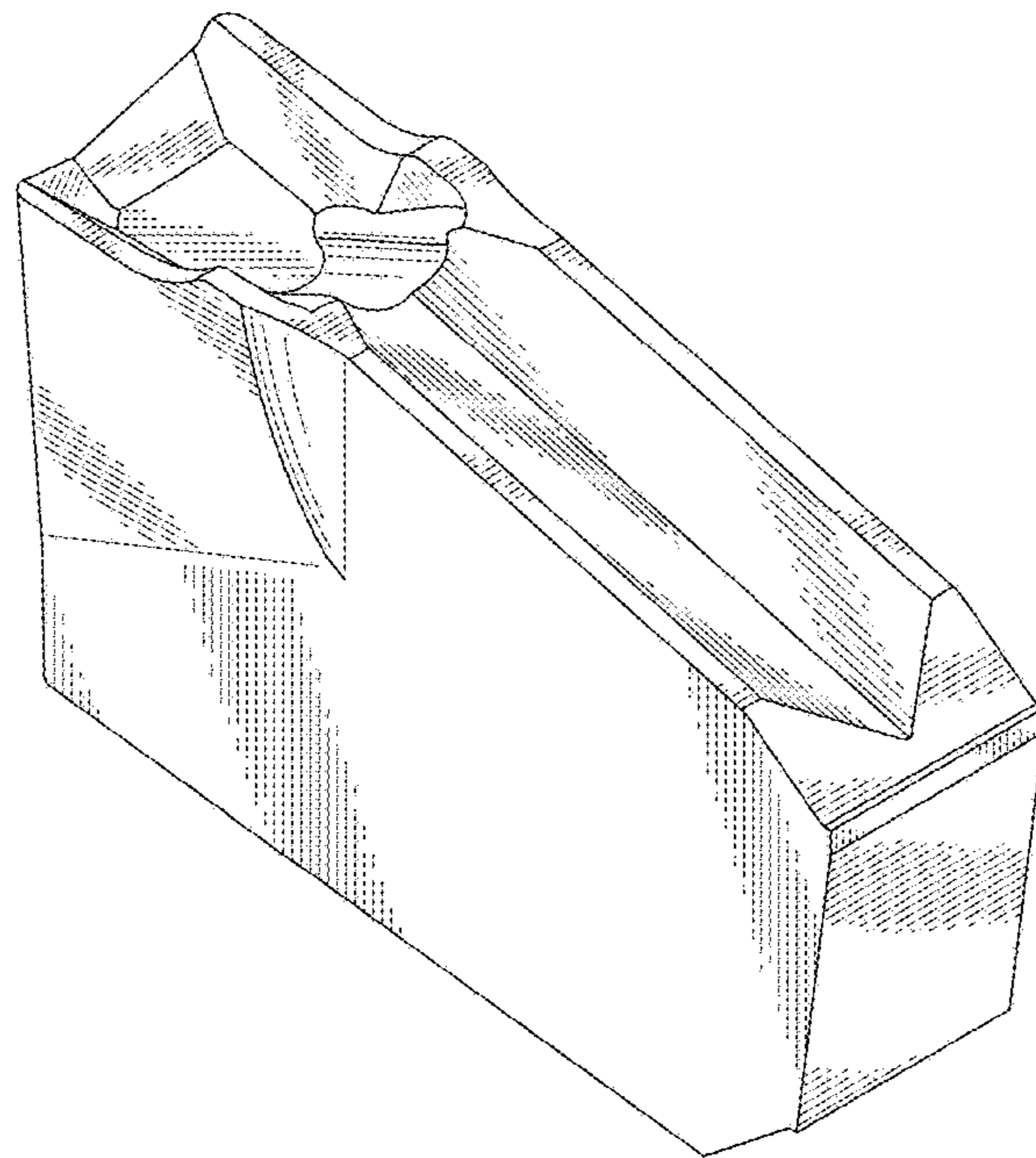


FIG.9

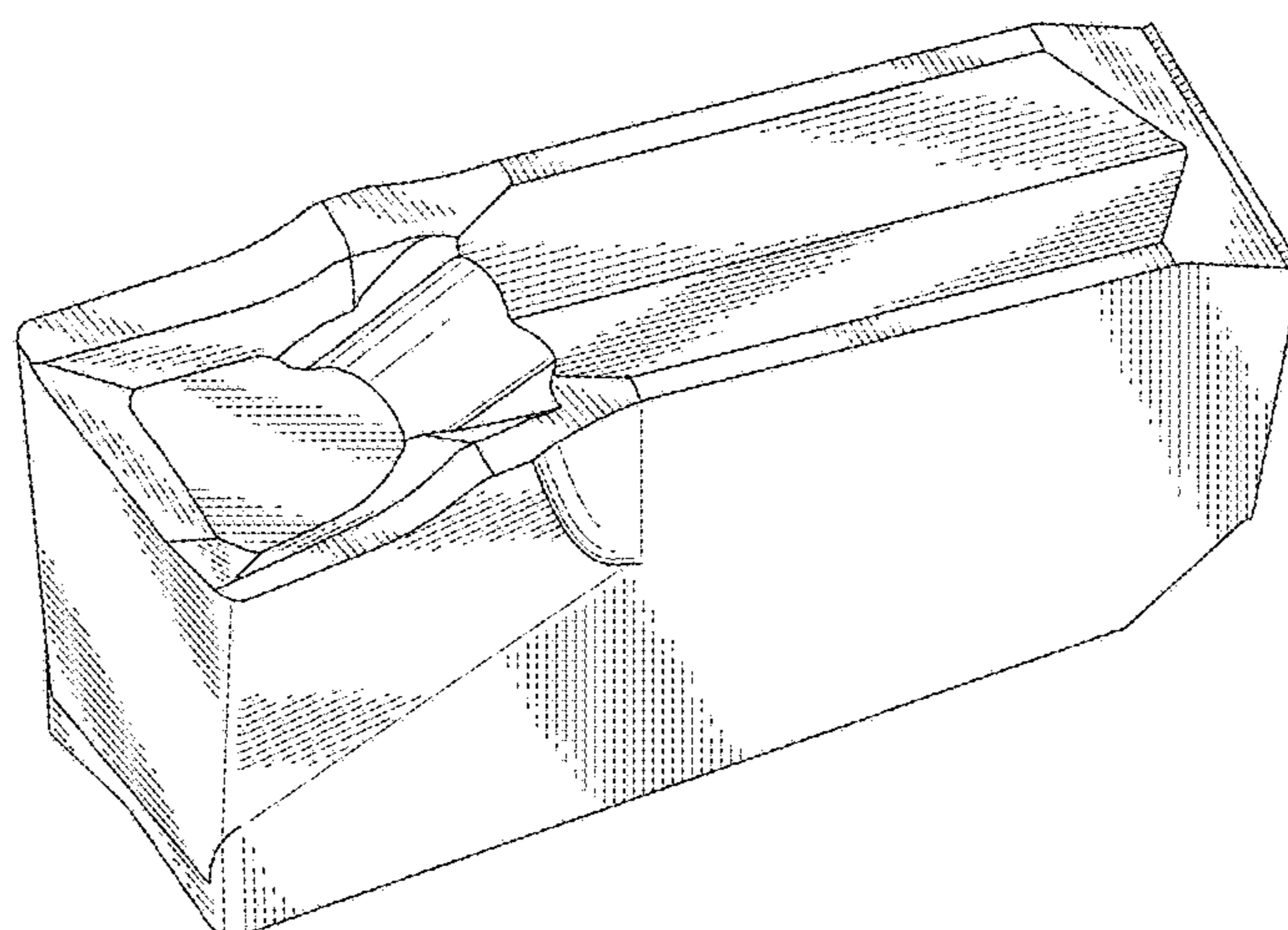


FIG.10

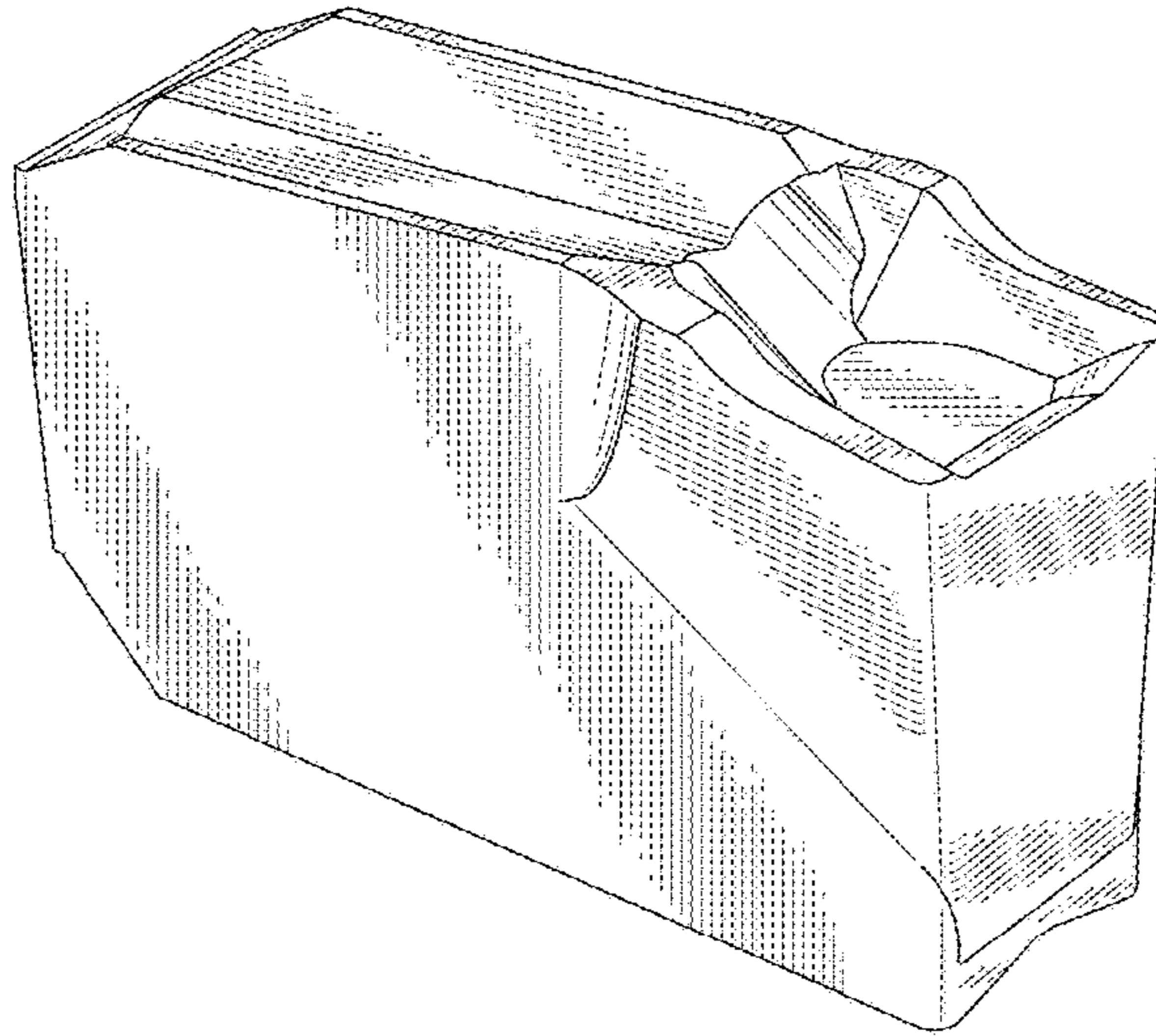


FIG.11

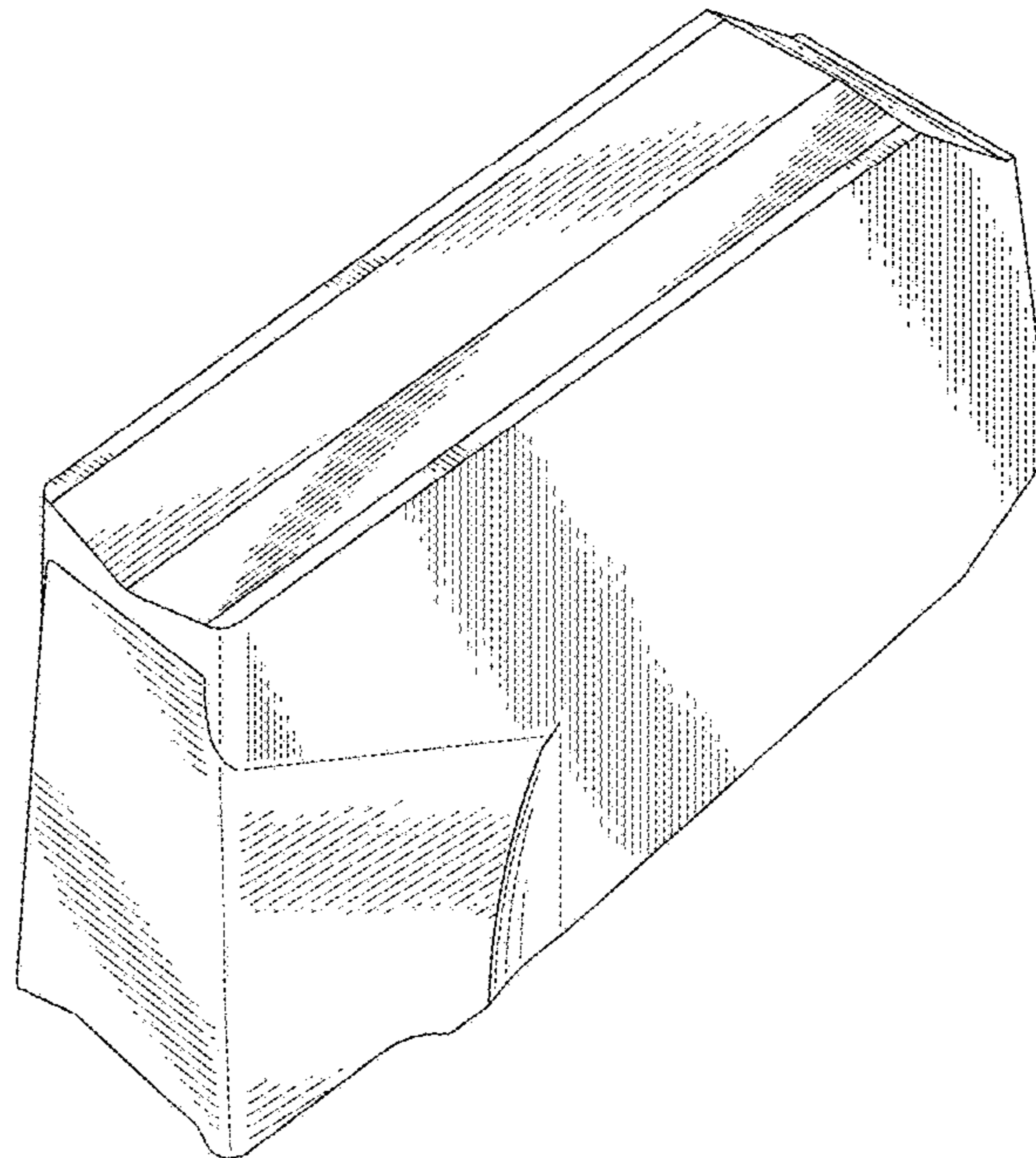


FIG.12

