



US00D861753S

(12) **United States Design Patent**  
**Saltzman et al.**

(10) **Patent No.:** **US D861,753 S**

(45) **Date of Patent:** **\*\* Oct. 1, 2019**

(54) **ROLLER FOR FLOATING MAT**  
(71) Applicant: **SEVENTO4, L.L.C.**, Dakota Dunes, SD (US)  
(72) Inventors: **Shennen Sherman Callahan Saltzman**, Dakota Dunes, SD (US); **Kathleen D. Saltzman**, Dakota Dunes, SD (US); **Theodore Sherman Callahan Saltzman**, Dakota Dunes, SD (US); **Claire Therese Saltzman**, Dakota Dunes, SD (US)

(73) Assignee: **SEVENTO4, L.L.C.**, Dakota Dunes, SD (US)

(\*\*) Term: **15 Years**

(21) Appl. No.: **29/635,948**

(22) Filed: **Feb. 5, 2018**

(51) **LOC (12) Cl.** ..... **15-09**

(52) **U.S. Cl.**  
USPC ..... **D15/138**

(58) **Field of Classification Search**  
USPC ..... D6/582, 587; D15/122, 138, 199, 38  
CPC .. B65H 23/16; B65H 23/198; B65H 2551/12; B65H 2402/31; B65H 2404/167; B65H 2404/1522  
See application file for complete search history.

(56) **References Cited**

U.S. PATENT DOCUMENTS

- 4,576,364 A \* 3/1986 O’Fearn ..... E04H 15/003 256/23
- 5,397,043 A \* 3/1995 Blanding ..... B65H 23/038 226/21
- 5,474,248 A \* 12/1995 Bradshaw ..... B65H 23/063 242/421.8

- 5,517,914 A \* 5/1996 Tilton, Sr. .... B41F 13/02 101/226
- 5,520,351 A \* 5/1996 Prospero ..... A61C 15/041 242/153
- 5,758,868 A \* 6/1998 Shea ..... E01F 7/02 256/12.5

(Continued)

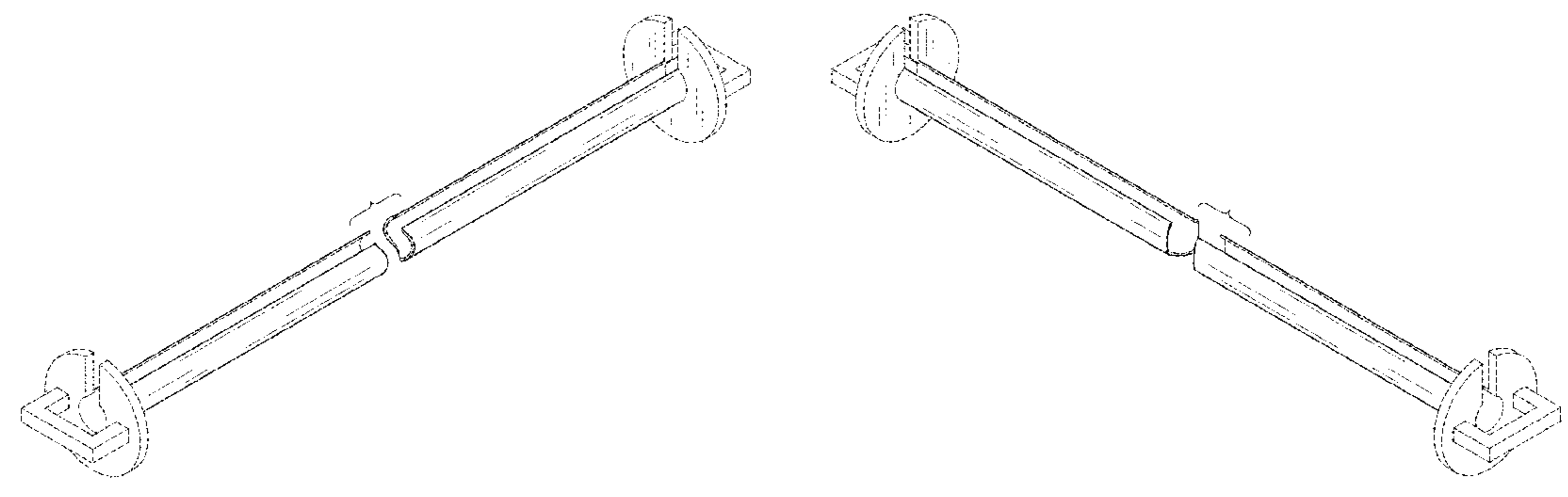
*Primary Examiner* — Patricia A Palasik  
(74) *Attorney, Agent, or Firm* — Rebecca A. Bortolotti; Advent, LLP

(57) **CLAIM**  
The ornamental design for a roller for floating mat, as shown and described.

**DESCRIPTION**

FIG. 1 is a top plan view of a roller for floating mat.  
 FIG. 2 is a bottom view of the roller for floating mat of FIG. 1.  
 FIG. 3 is a front elevation view of the roller for floating mat of FIG. 1.  
 FIG. 4 is a rear elevation view of the roller for floating mat of FIG. 1.  
 FIG. 5 is a right side elevation view of the roller for floating mat of FIG. 1.  
 FIG. 6 is a left side elevation view of the roller for floating mat of FIG. 1.  
 FIG. 7 is an isometric view of the roller for floating mat of FIG. 1.  
 FIG. 8 is another isometric view of the roller for floating mat of FIG. 1.  
 FIG. 9 is an environmental isometric view of the roller for floating mat of FIG. 1; and,  
 FIG. 10 is another environmental isometric view of the roller for floating mat of FIG. 1.  
 Portions of FIGS. 1 through 10 and the floating mats in FIGS. 9 and 10 are shown in broken and dash-dot-dot-dash lines illustrating portions of the article and environmental subject matter that form no part of the claimed design. The appearance of any portion of the roller for floating mat between the break lines forms no part of the claimed design.

**1 Claim, 10 Drawing Sheets**



(56)

References Cited

U.S. PATENT DOCUMENTS

5,911,382	A *	6/1999	Wilson	B65H 23/16	2011/0180651	A1 *	7/2011	Akpan	B65H 18/22
				101/228					242/535.1
5,964,390	A *	10/1999	Børresen	B65H 23/025	2012/0119011	A1 *	5/2012	Balcan	B65H 23/16
				226/118.2					242/419.8
5,964,461	A *	10/1999	Ende	B65H 5/16	2012/0119012	A1 *	5/2012	Tai	B65H 23/042
				198/732					242/534
6,012,669	A *	1/2000	Tharpe, Jr.	B65H 20/32	2014/0116854	A1 *	5/2014	Shih	G07D 11/0021
				226/118.3					198/780
6,062,930	A *	5/2000	Smith	A47C 15/006	2015/0022606	A1 *	1/2015	Hasegawa	B41J 15/16
				441/125					347/104
6,068,254	A *	5/2000	Olexy	B65H 3/0833	2015/0028539	A1 *	1/2015	Dinnissen	B65H 31/38
				271/106					271/221
6,092,449	A *	7/2000	Ward	B26D 7/32	2015/0054895	A1 *	2/2015	Suzuki	B41J 15/165
				83/155.1					347/104
D538,494	S *	3/2007	Varga	D32/42	2016/0001519	A1 *	1/2016	Winkens	B65H 19/29
7,648,449	B1 *	1/2010	Detert	A47C 27/081	2016/0083211	A1 *	3/2016	Pellengo Gatti	B65H 23/195
				441/129					425/317
8,985,570	B1 *	3/2015	Fang	B65H 1/04	2016/0114501	A1 *	4/2016	Carson	B29C 31/008
				271/121					225/2
D830,153	S *	10/2018	Sadofsky	D8/354	2016/0136980	A1 *	5/2016	Kobayashi	B41J 15/04
2009/0260322	A1 *	10/2009	Fischer	B41J 2/16585					347/104
				53/167	2016/0214816	A1 *	7/2016	Sugiyama	B65H 5/062
					2016/0318321	A1 *	11/2016	Takahashi	B31D 1/027
					2017/0106683	A1 *	4/2017	Watanabe	B65H 23/16

\* cited by examiner

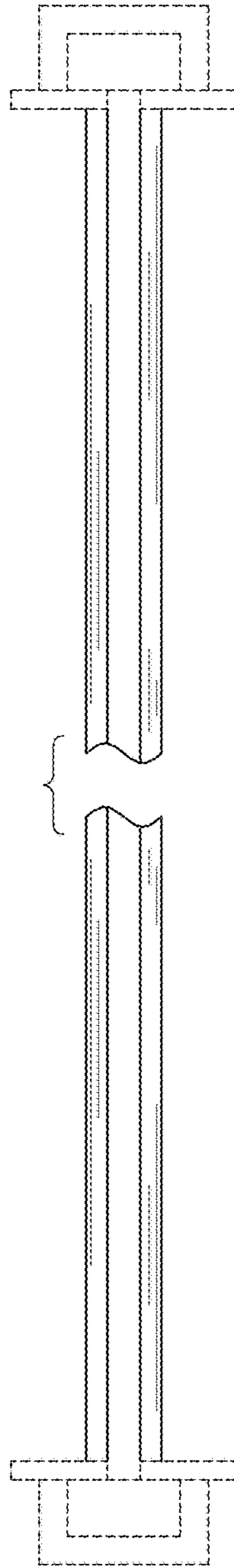


FIG. 1

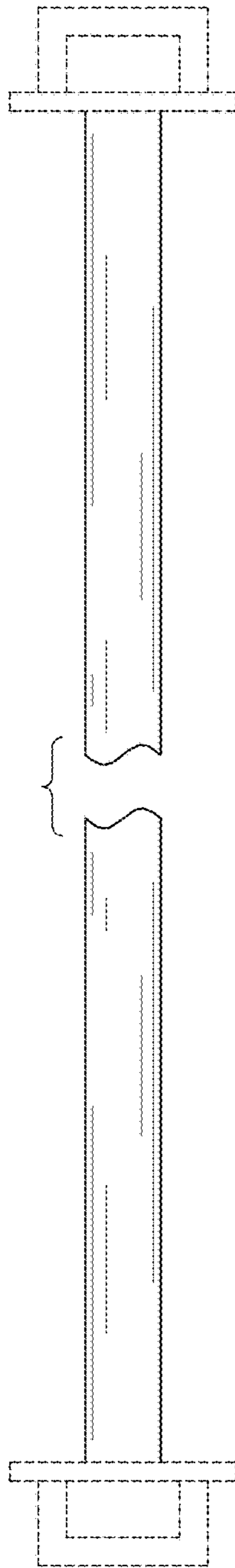


FIG. 2

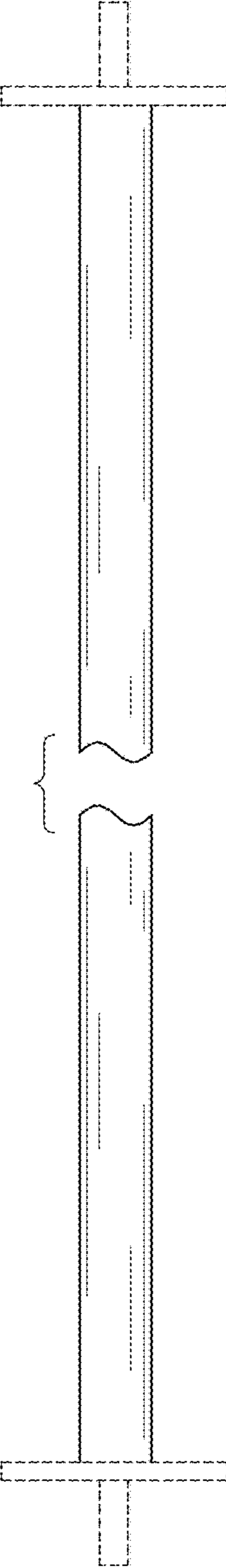


FIG. 3

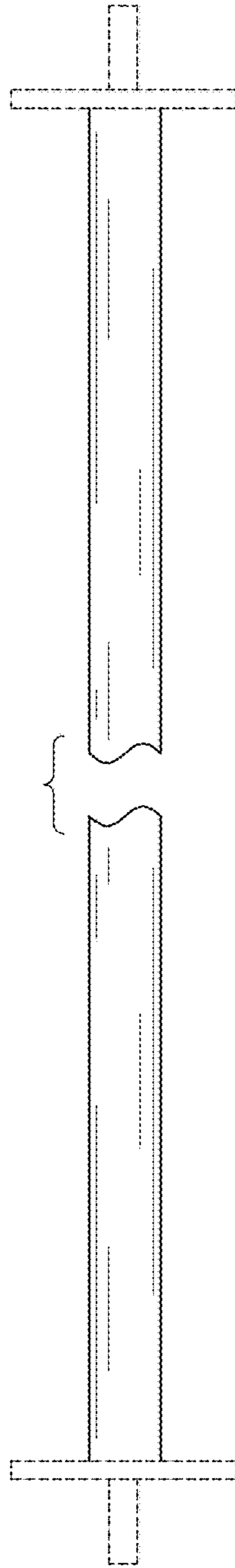
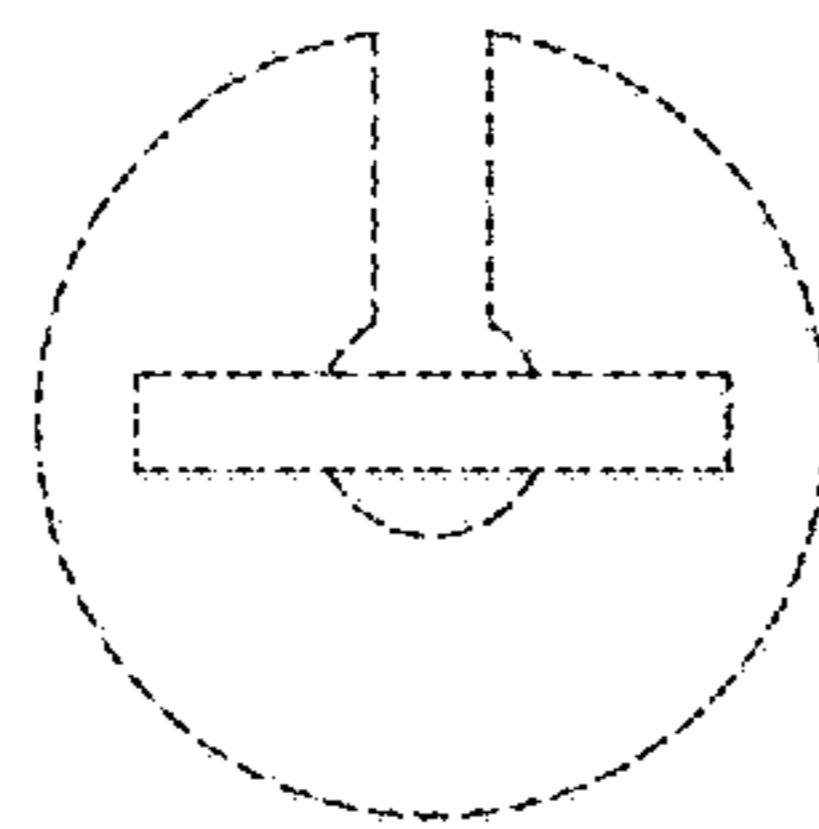
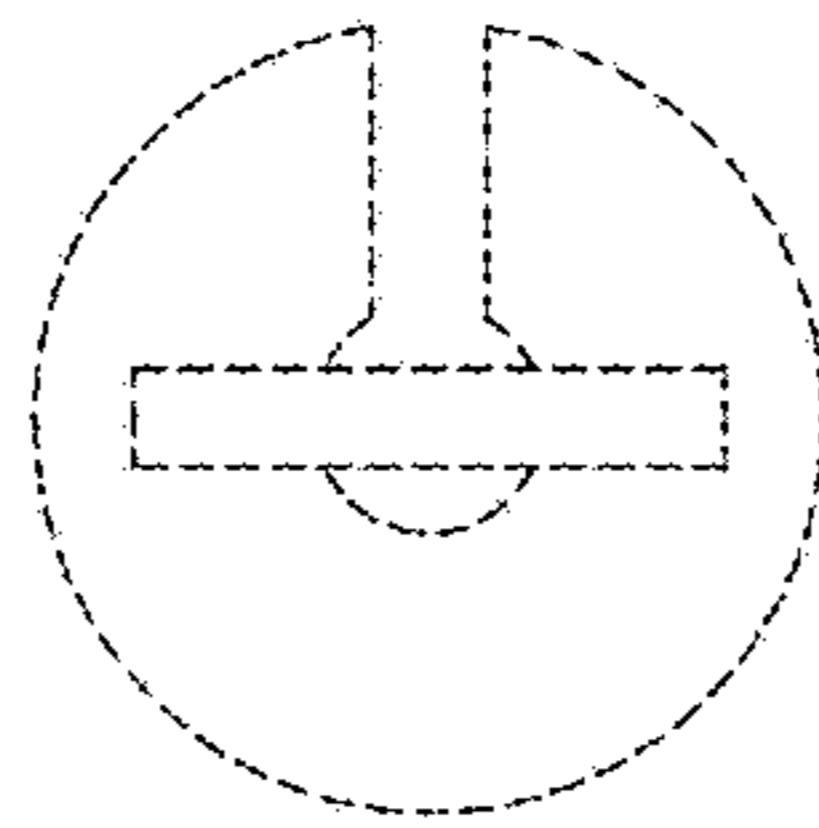


FIG. 4



**FIG. 5**



**FIG. 6**



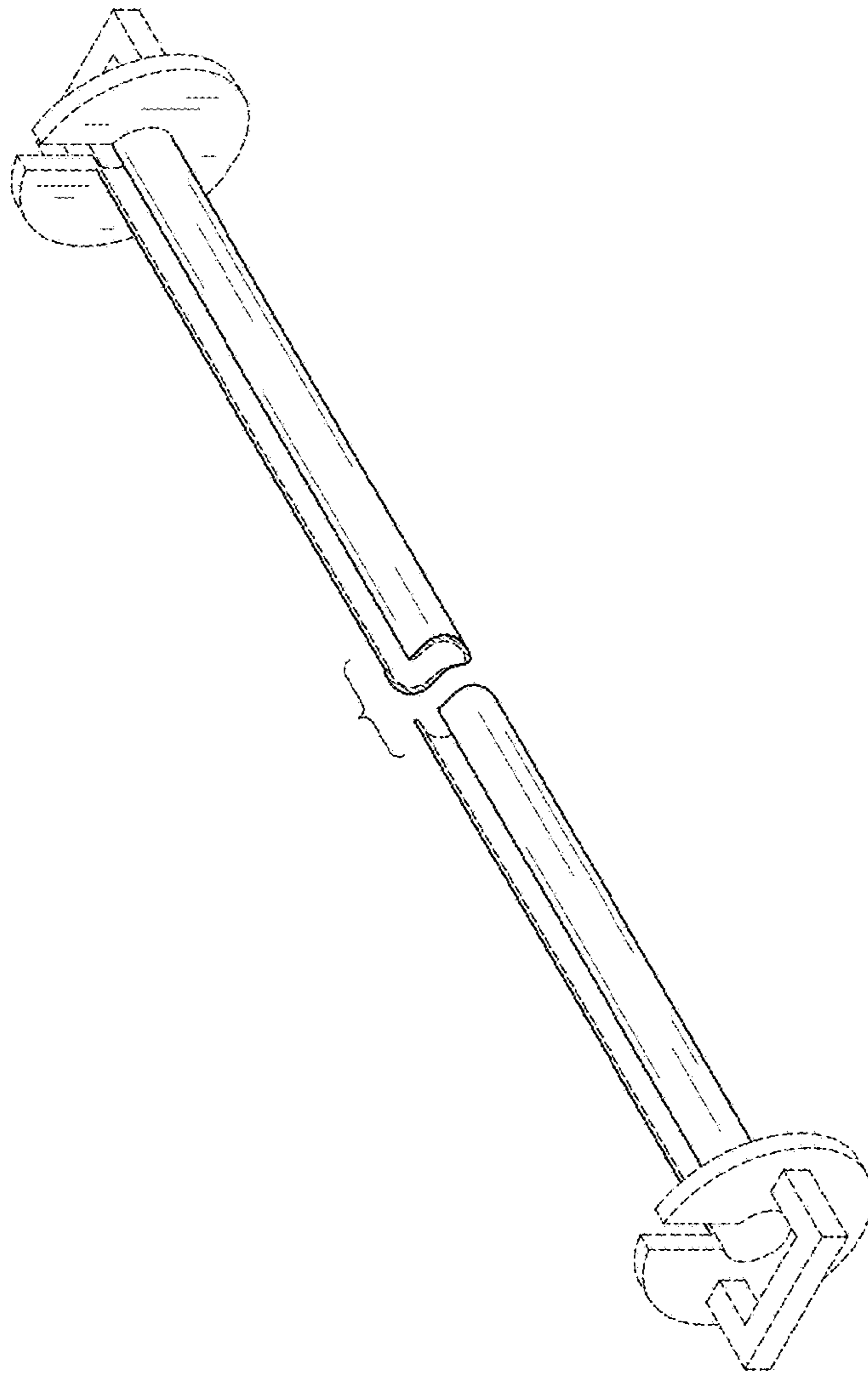


FIG. 7

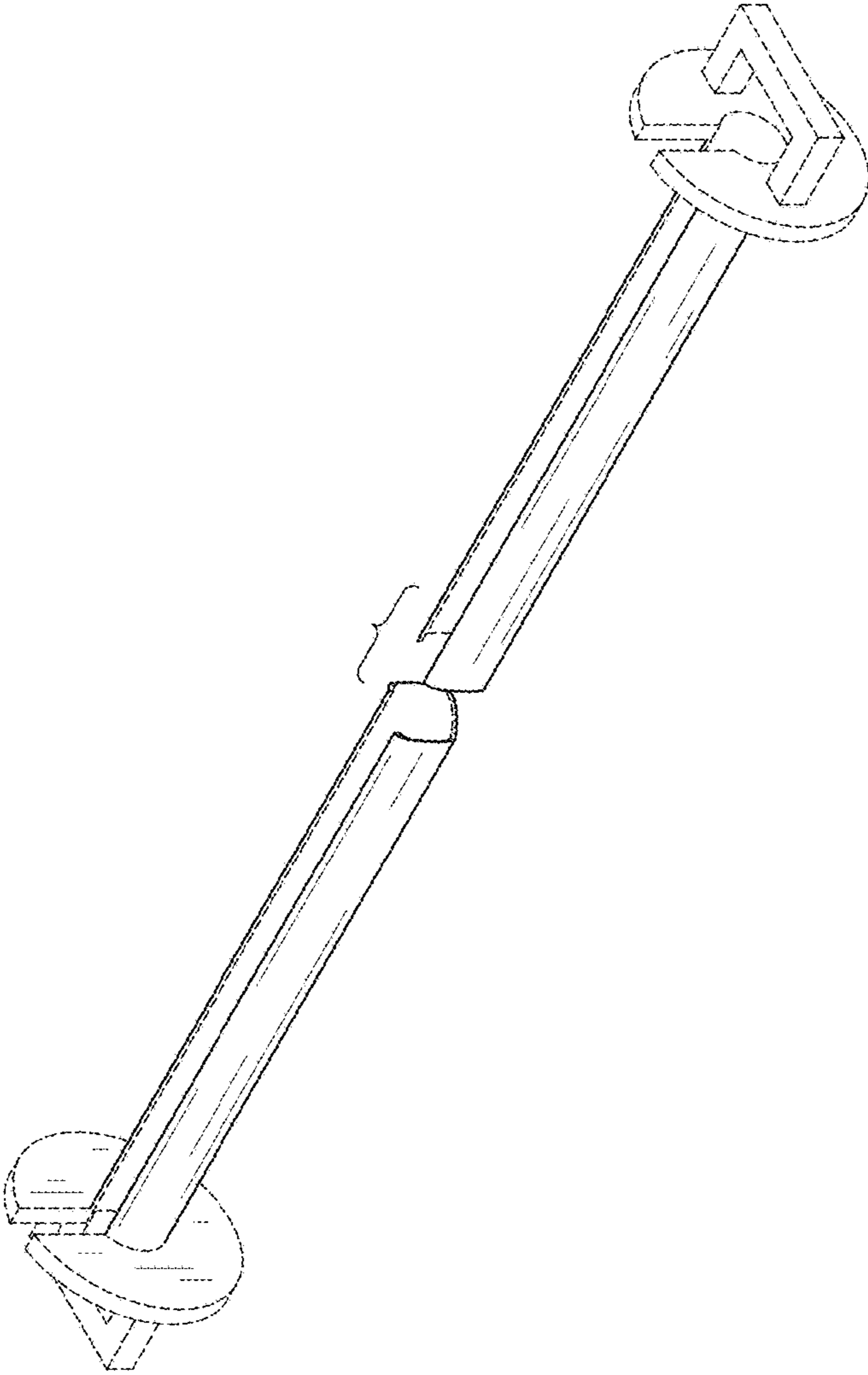


FIG. 8

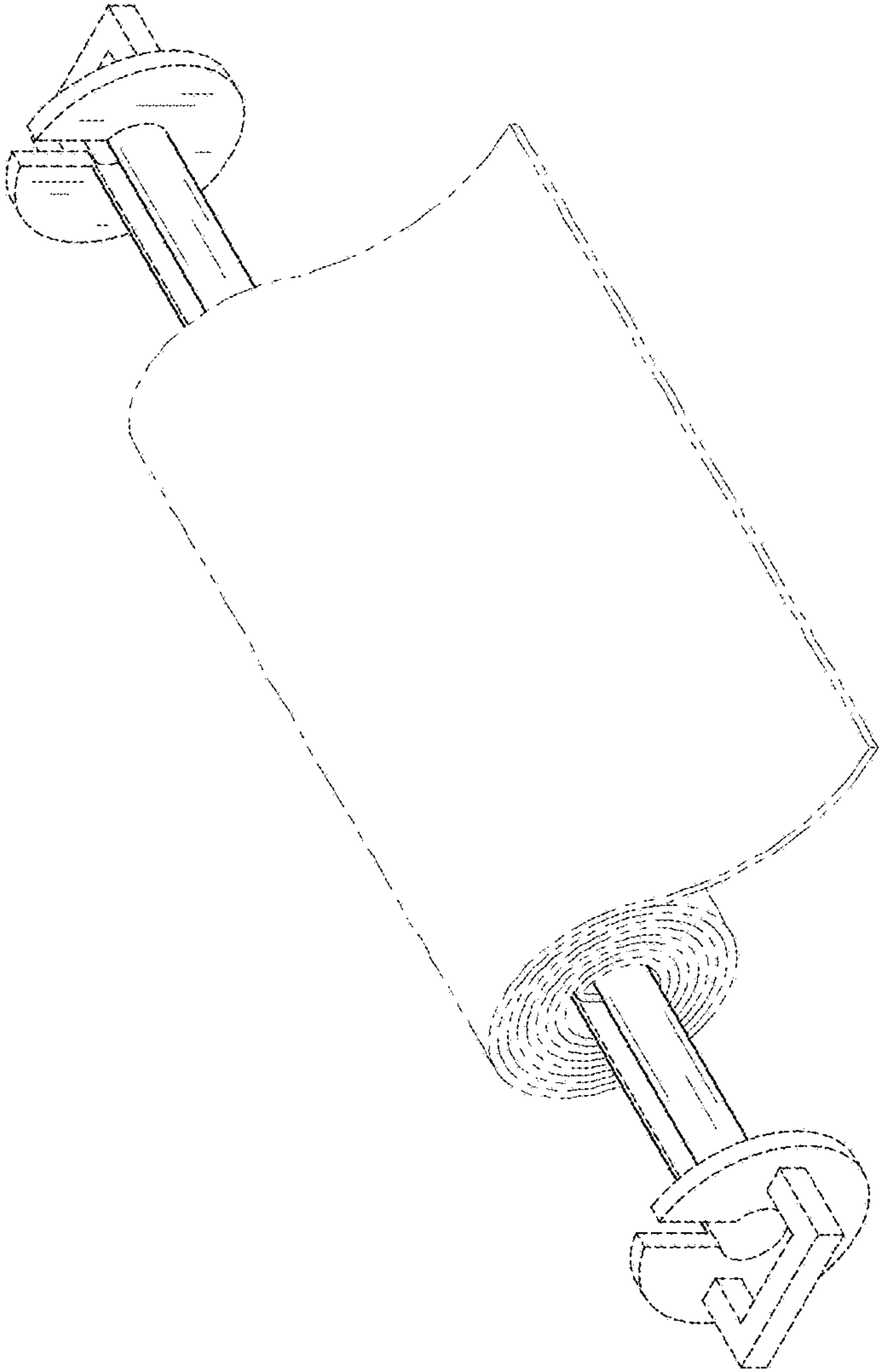


FIG. 9



FIG. 10