



US00D861751S

(12) **United States Design Patent** (10) **Patent No.:** **US D861,751 S**
Bertash et al. (45) **Date of Patent:** **** Oct. 1, 2019**

(54) **CARTRIDGE MAKER**
(71) Applicant: **MB2 CUP DEVELOPMENT LLC**,
Centerport, NY (US)
(72) Inventors: **Michael Bertash**, Centerport, NY (US);
Morgan Bertash, Centerport, NY (US)
(73) Assignee: **MB2 CUP DEVELOPMENT LLC**,
Centerport, NY (US)
(**) Term: **15 Years**
(21) Appl. No.: **29/647,663**
(22) Filed: **May 15, 2018**
(51) **LOC (12) Cl.** **15-09**
(52) **U.S. Cl.**
USPC **D15/122; D15/145**
(58) **Field of Classification Search**
USPC D7/309, 311, 412; D15/122, 145, 146
CPC A47J 31/407; B65B 1/04; B65B 7/2807;
B65B 7/2878; B65B 29/02; B65B 29/022;
B65B 43/50; B65B 51/10; B65B 57/02;
B65B 61/005; B65D 65/466; B65D
85/8046
See application file for complete search history.

8,584,901 B2 * 11/2013 Dooley A47J 31/401
222/129.4
D762,750 S * 8/2016 Jiang D15/122
D768,214 S * 10/2016 Cho D15/122
D824,210 S * 7/2018 Kim D7/378
2005/0073066 A1 * 4/2005 Victorov A61J 3/07
264/40.1
2013/0247470 A1 * 9/2013 Zhong A47J 31/4407
49/383
2015/0327712 A1 * 11/2015 Samsó Besora A47J 31/38
426/425
2016/0106255 A1 * 4/2016 Gordon A47J 31/407
426/590
2017/0096324 A1 * 4/2017 Dresser A47F 1/085
2017/0283101 A1 * 10/2017 Gorbatenko B65D 85/8043
2017/0325622 A1 * 11/2017 Rossetto A47J 31/44
2017/0348896 A1 * 12/2017 Wabnig B29C 69/02
(Continued)

Primary Examiner — Patricia A Palasik
(74) *Attorney, Agent, or Firm* — Andrew F. Young, Esq.;
Lackebach Siegel, LLP

(57) **CLAIM**

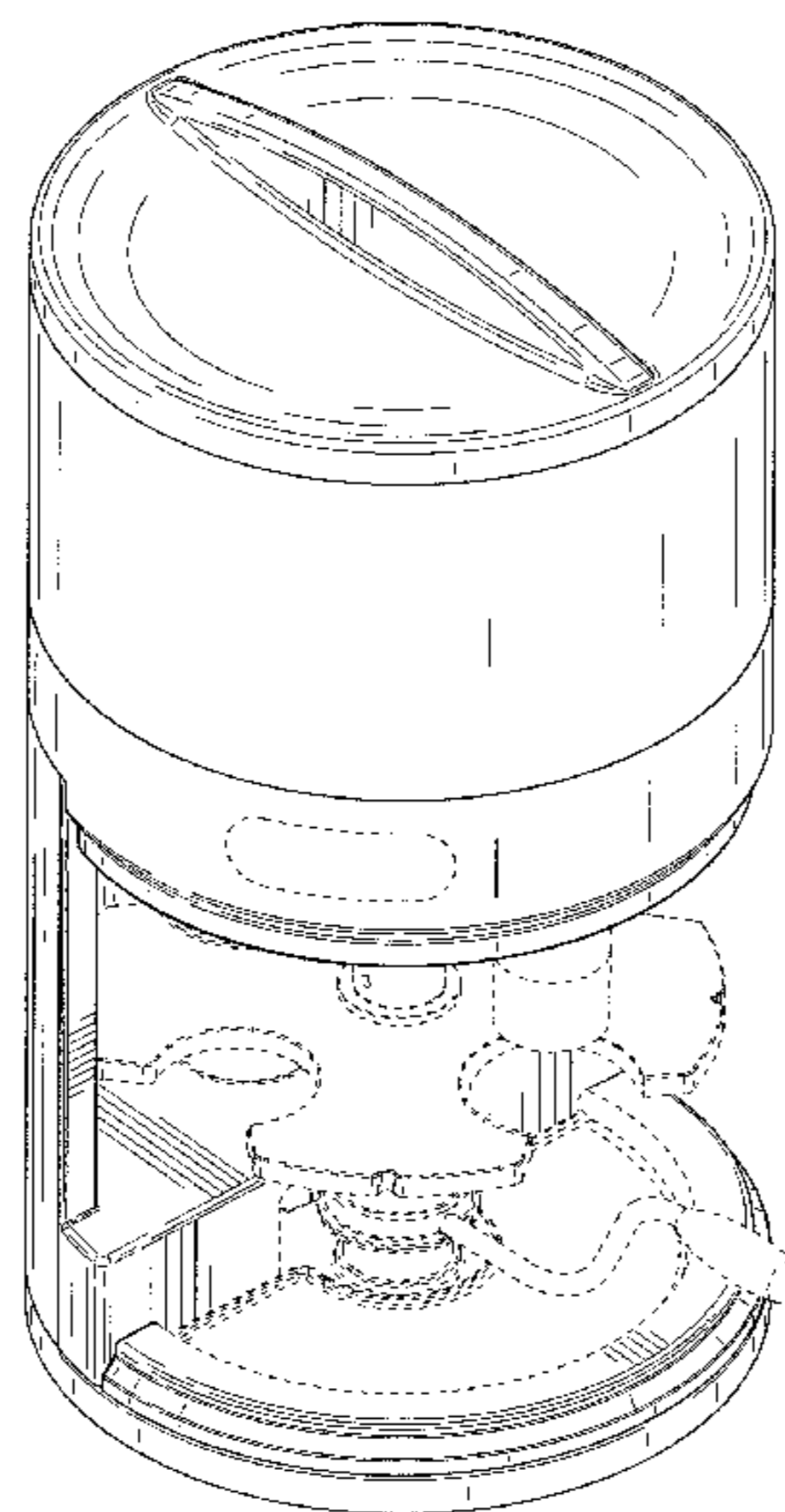
The ornamental design for a cartridge maker, as shown and described.

DESCRIPTION

This application relates to, but does not claim priority from, Ser. No.: PCT/US2016/063702 filed Nov. 23, 2016. FIG. 1 is a top front perspective view of our invention for a cartridge maker of present invention. FIG. 2 is a front elevation view thereof. FIG. 3 is a rear elevation view thereof. FIG. 4 is a right side elevation view thereof. FIG. 5 is a left side elevation view thereof. FIG. 6 is a top plan view thereof; and, FIG. 7 is a bottom plan view thereof. The dash-dash broken lines indicate portions of the cartridge maker which form no part of the claimed design.

1 Claim, 7 Drawing Sheets

(56) **References Cited**
U.S. PATENT DOCUMENTS
2,860,817 A * 11/1958 Bell B65G 59/102
221/11
3,092,944 A * 6/1963 Wise A23G 9/283
53/276
4,194,341 A * 3/1980 Kihnke B65B 7/16
141/174
4,195,561 A * 4/1980 Castanis A23C 9/1226
116/216
4,397,133 A * 8/1983 Hume B65B 7/2807
53/313
4,465,111 A * 8/1984 Nalbach B65B 1/22
141/165



(56)

References Cited

U.S. PATENT DOCUMENTS

2018/0148250 A1* 5/2018 Schaude B65D 85/8043
2018/0303159 A1* 10/2018 Ghiotti A24F 47/006
2019/0038067 A1* 2/2019 Dos Santos A47J 31/407
2019/0045967 A1* 2/2019 Briere A47J 31/405
2019/0090680 A1* 3/2019 Urciuoli A47J 31/46
2019/0100376 A1* 4/2019 Rondelli B65D 85/8043
2019/0135466 A1* 5/2019 Gorbatenko B65B 29/022
2019/0142209 A1* 5/2019 Bellman A47J 31/41

* cited by examiner

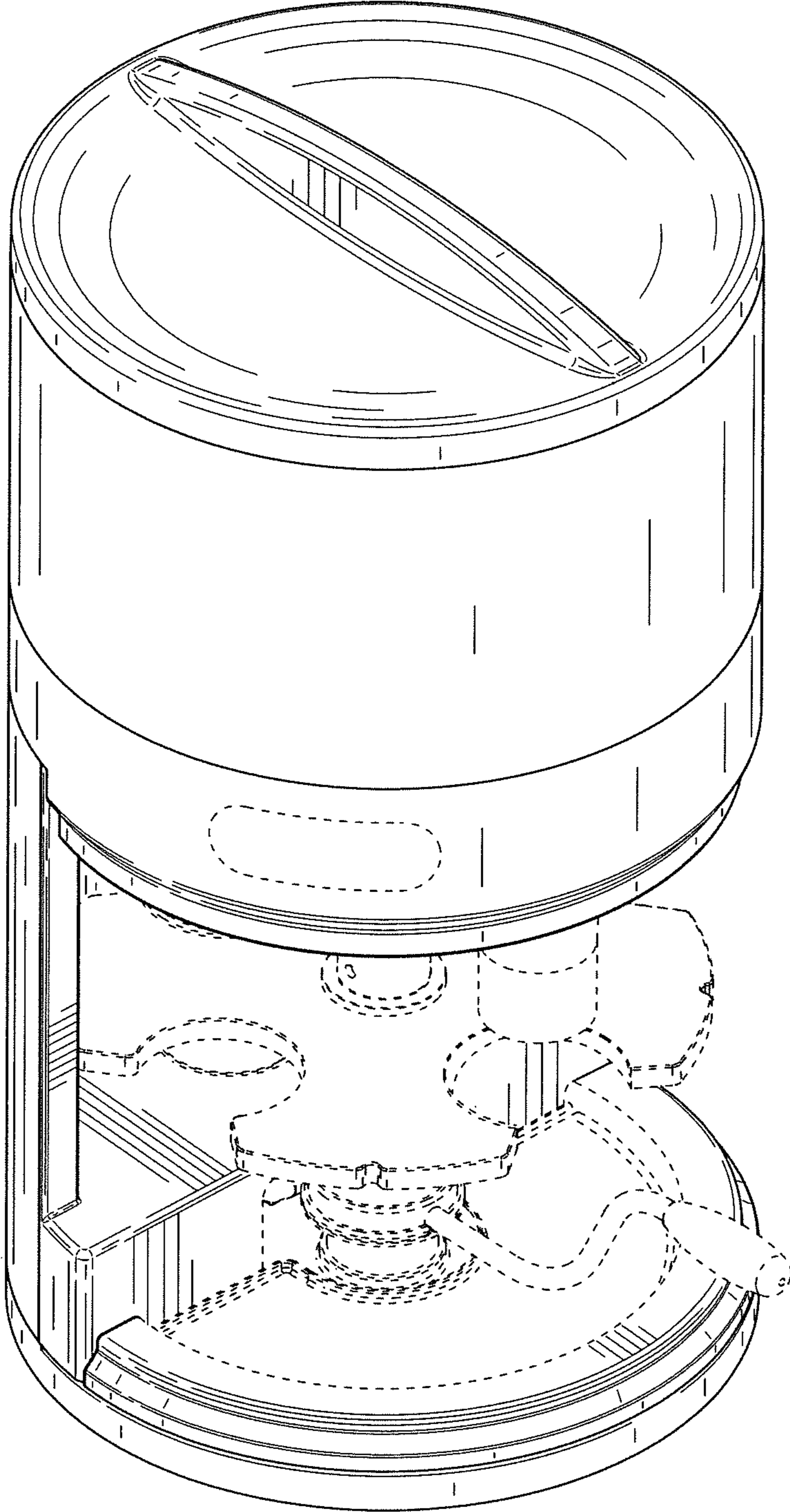


FIG. 1

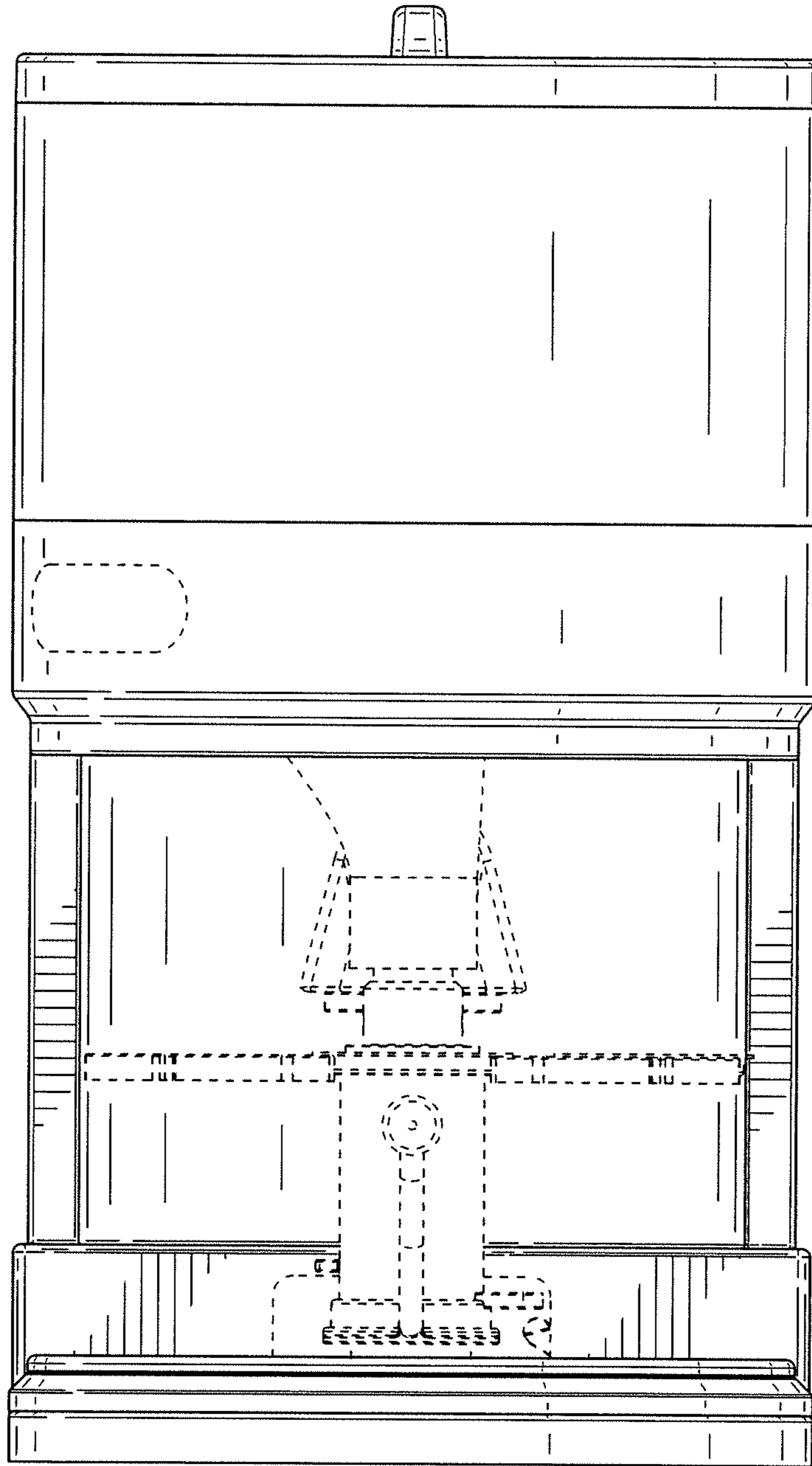


FIG. 2

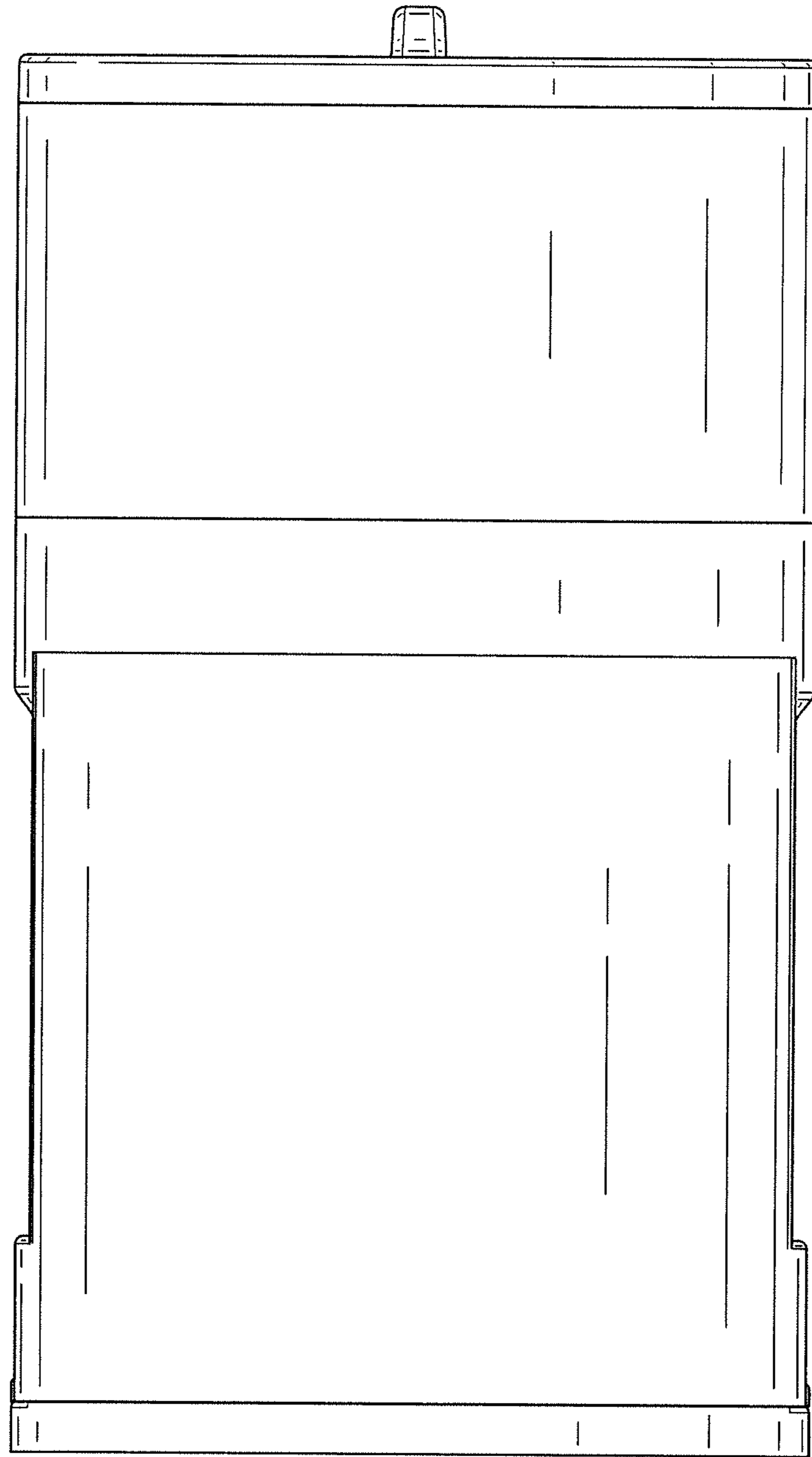


FIG. 3

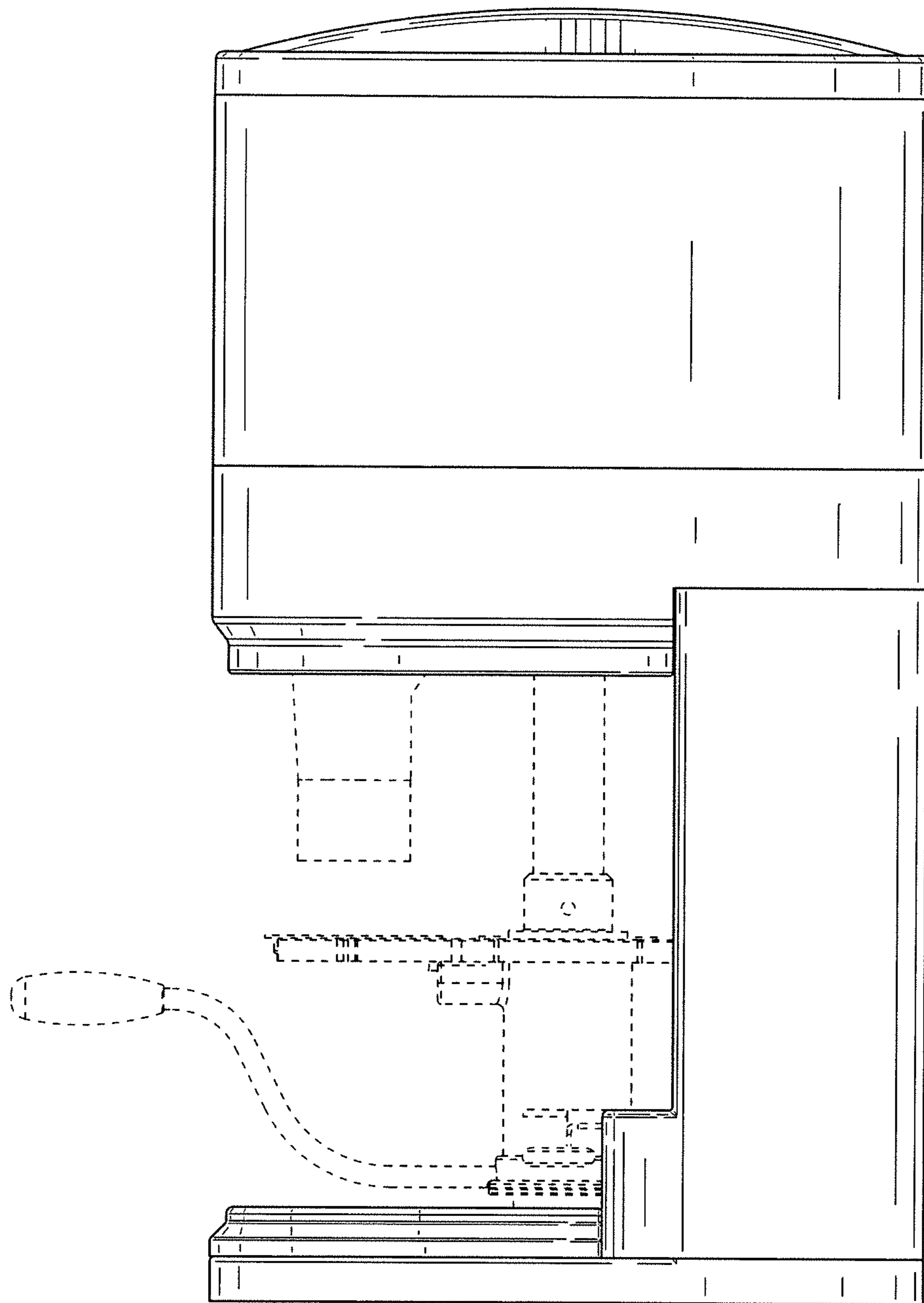


FIG. 4

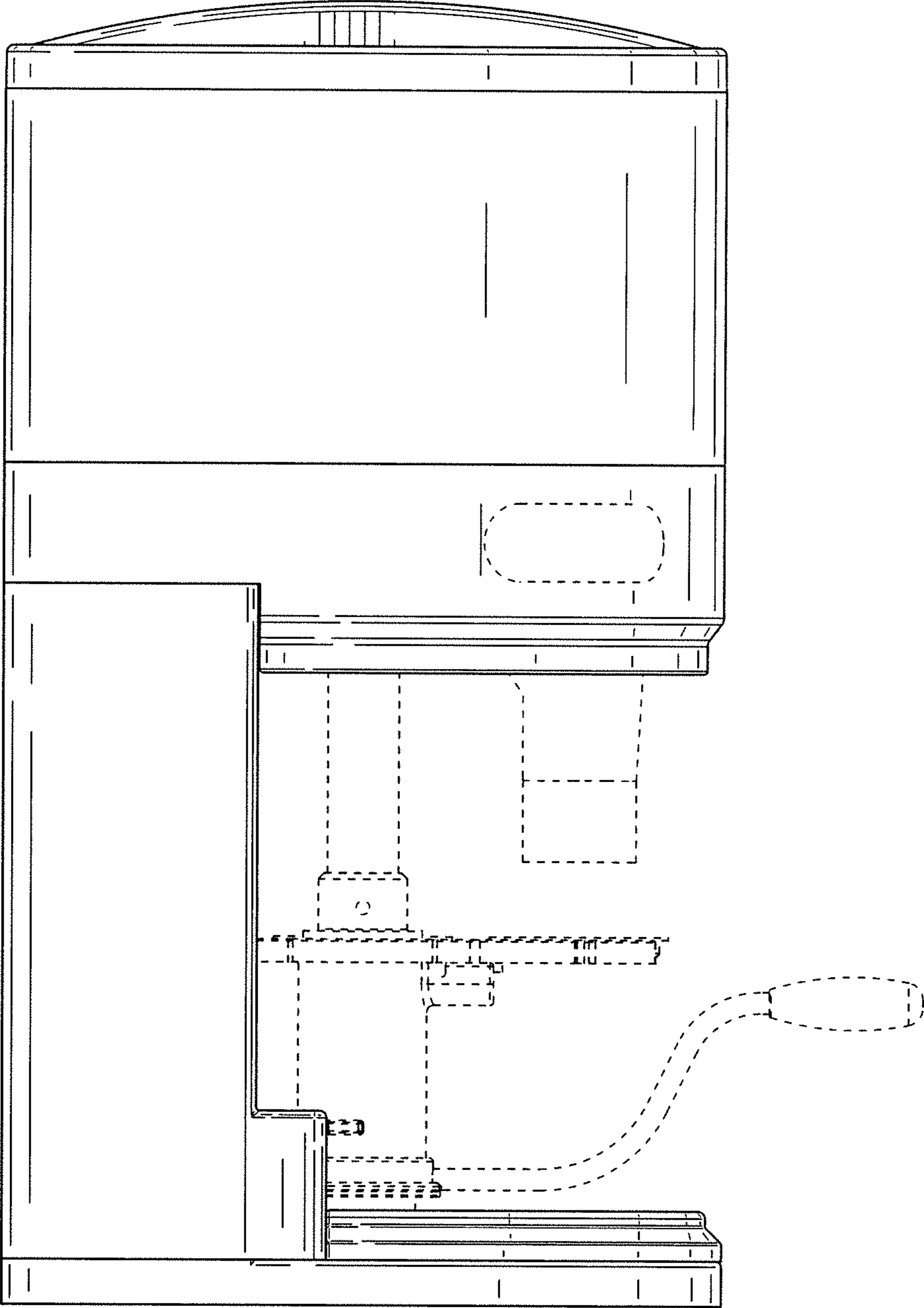


FIG. 5

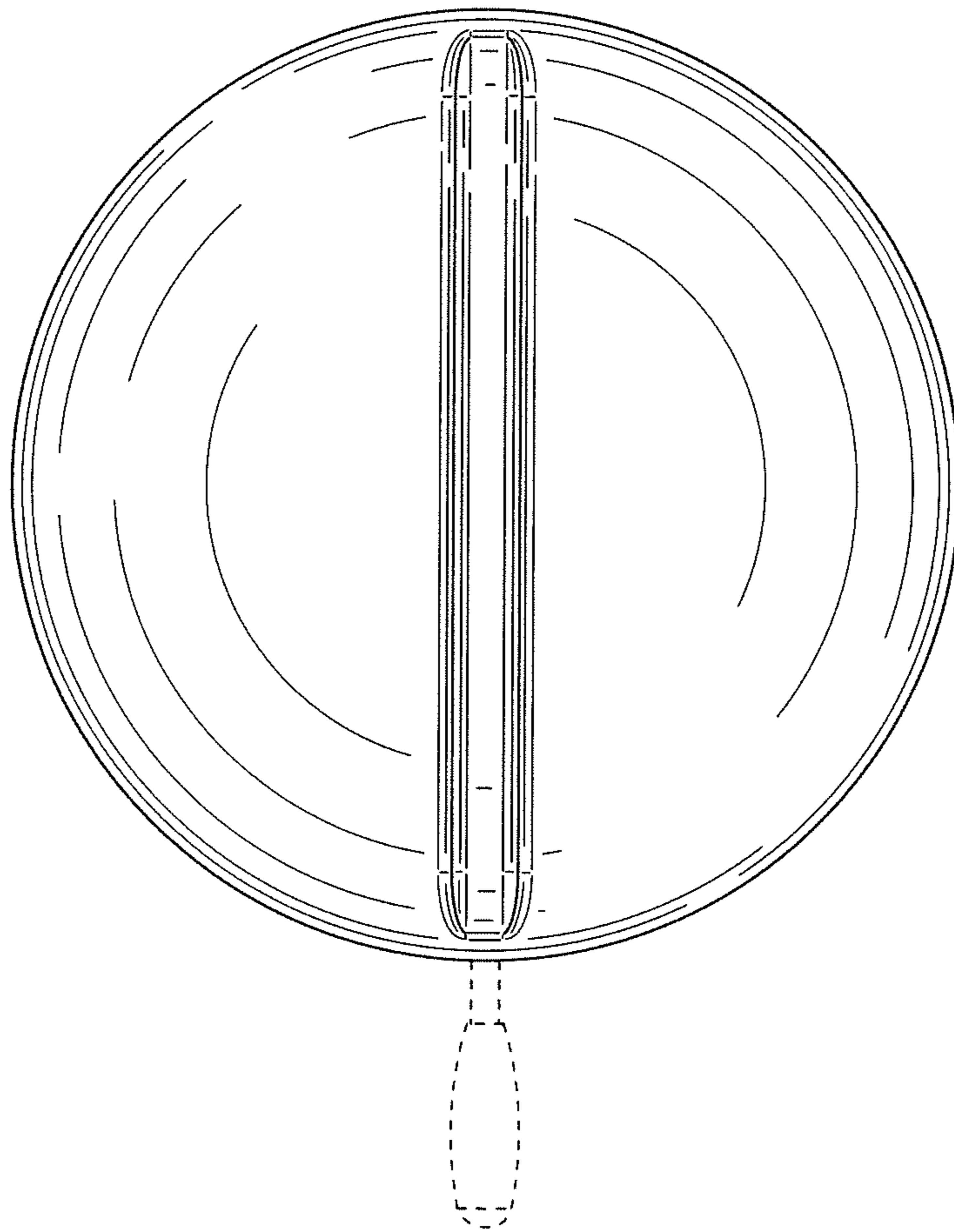


FIG. 6

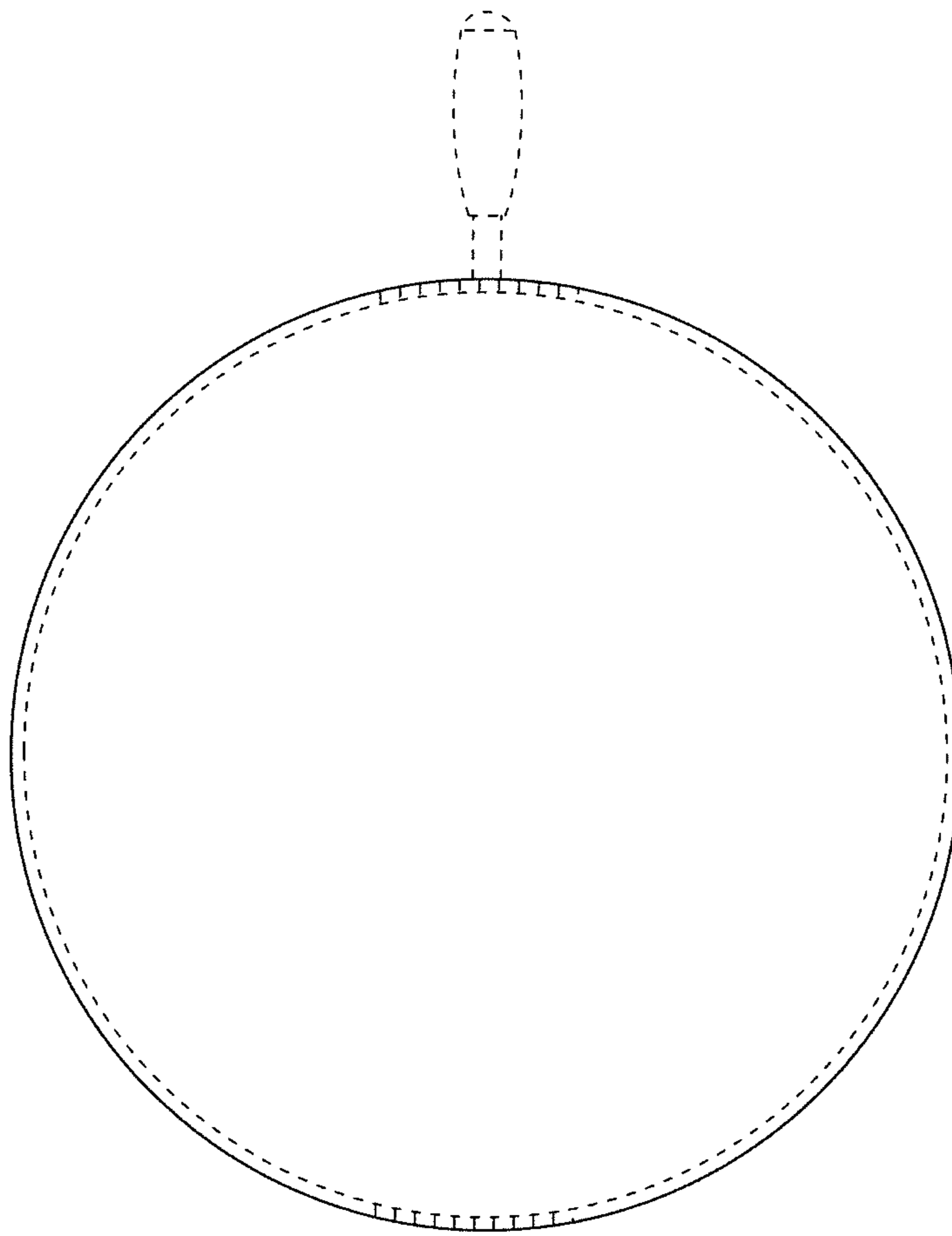


FIG. 7