

US00D861749S

(12) **United States Design Patent** (10) **Patent No.:** **US D861,749 S**
Besim et al. (45) **Date of Patent:** **** Oct. 1, 2019**

(54) **THREE DIMENSIONAL PRINTER**
(71) Applicants: **Bulent Besim**, Melbourne (AU);
Stephen Weatherly, Miami, FL (US)
(72) Inventors: **Bulent Besim**, Melbourne (AU);
Stephen Weatherly, Miami, FL (US)

(**) Term: **15 Years**

(21) Appl. No.: **29/645,523**

(22) Filed: **Apr. 27, 2018**

(51) **LOC (12) Cl.** **15-09**

(52) **U.S. Cl.**
USPC **D15/122**

(58) **Field of Classification Search**
USPC D15/122, 135, 138, 145, 146; D18/6-7,
D18/14, 19, 50, 54, 54.1, 55, 59
CPC .. B29C 47/12; B29C 67/0059; B29C 67/6659
See application file for complete search history.

(56) **References Cited**

U.S. PATENT DOCUMENTS

4,465,111 A * 8/1984 Nalbach B65B 1/22
141/165
5,885,511 A * 3/1999 Heller B29C 41/36
264/308
5,939,008 A * 8/1999 Comb B33Y 10/00
264/308
7,168,935 B1 * 1/2007 Taminger B23K 15/0073
219/121.12
8,252,223 B2 * 8/2012 Medina B33Y 70/00
264/401
D739,885 S * 9/2015 Lee D15/122

D765,745 S * 9/2016 Cheung D15/122
D786,950 S * 5/2017 Armani D15/122
D791,203 S * 7/2017 Zhang D15/122
D799,568 S * 10/2017 Cesar D15/122
D835,690 S * 12/2018 Issa D15/122
10,195,778 B2 * 2/2019 Wolf B33Y 30/00
2015/0079217 A1 * 3/2015 Oudsen B29C 67/0059
425/375
2015/0321426 A1 * 11/2015 Lee B33Y 40/00
264/40.7
2016/0096323 A1 * 4/2016 Fry B29C 67/0059
264/308
2016/0221261 A1 * 8/2016 Yamamoto B29C 64/40

* cited by examiner

Primary Examiner — Patricia A Palasik

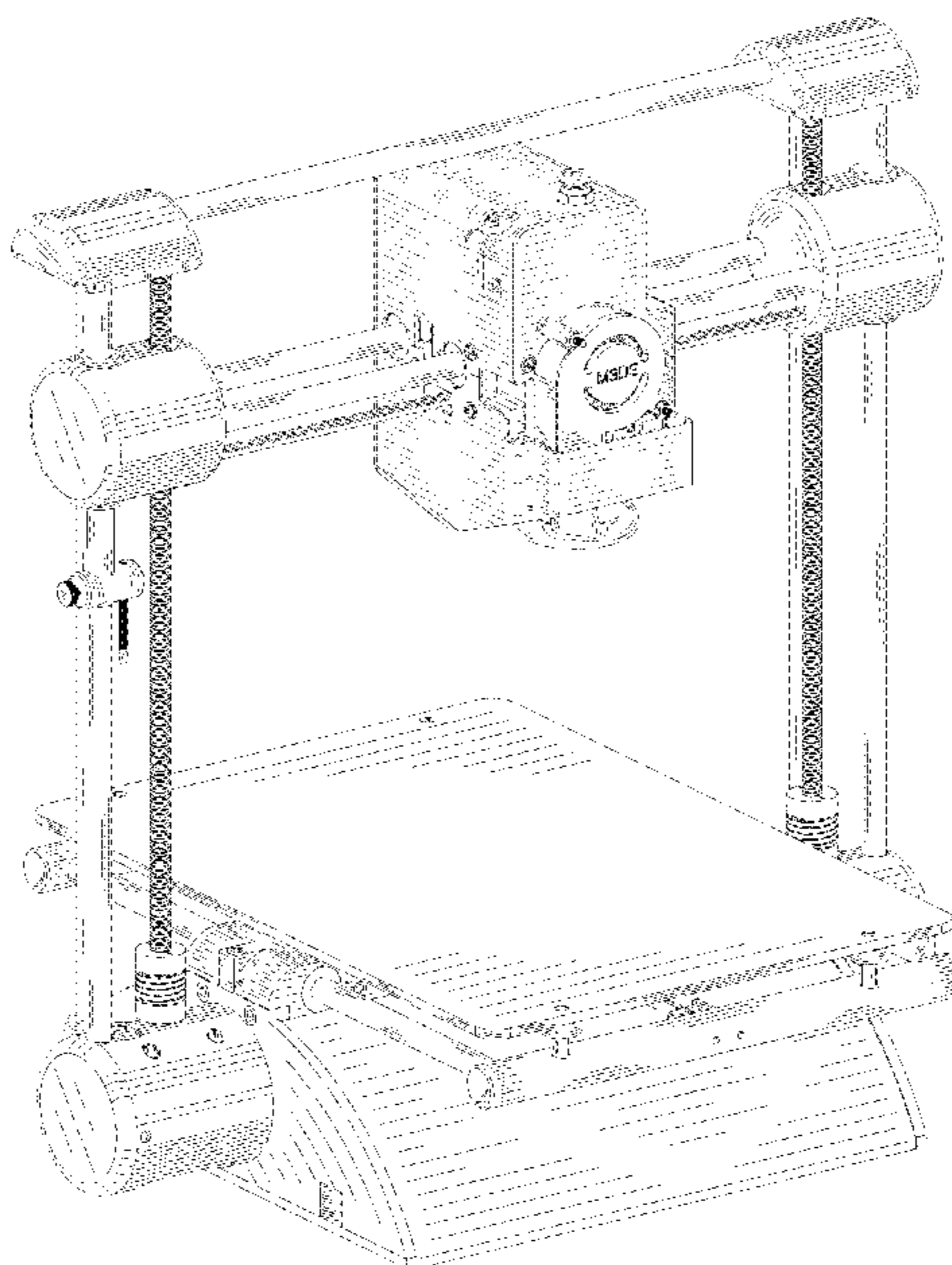
(57) **CLAIM**

The ornamental design for a three-dimensional printer, as shown and described.

DESCRIPTION

FIG. 1 is an Isometric Front View of a display structure showing the claimed design;
FIG. 2 is an Isometric Back View thereof;
FIG. 3 is a top view thereof;
FIG. 4 is a bottom view thereof;
FIG. 5 is a front view thereof;
FIG. 6 is a rear view thereof;
FIG. 7 is a left view thereof; and,
FIG. 8 is a right view thereof.
The broken lines in the figures show portions of the three dimensional printer that form no part of the claimed design.

1 Claim, 8 Drawing Sheets



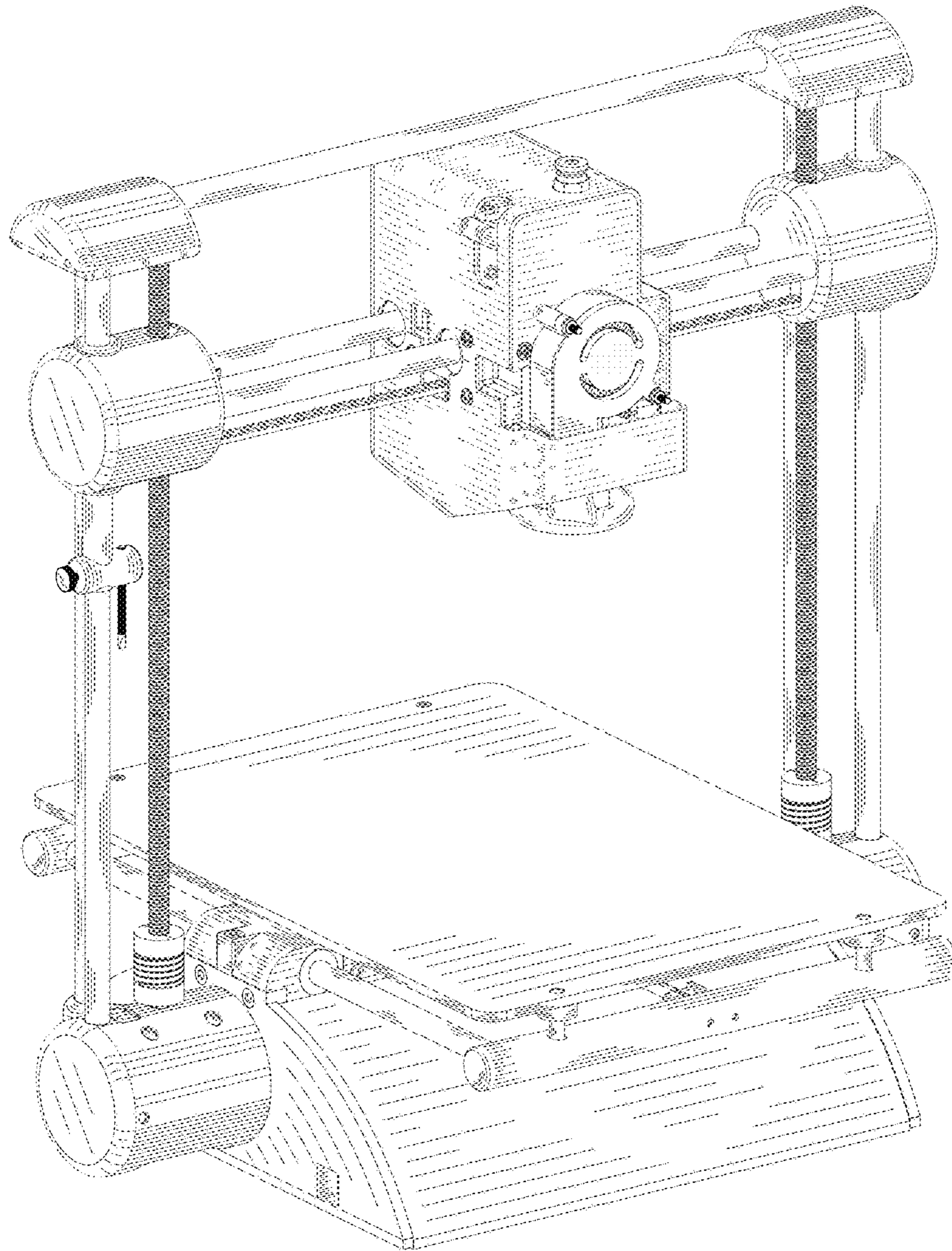


FIG 1

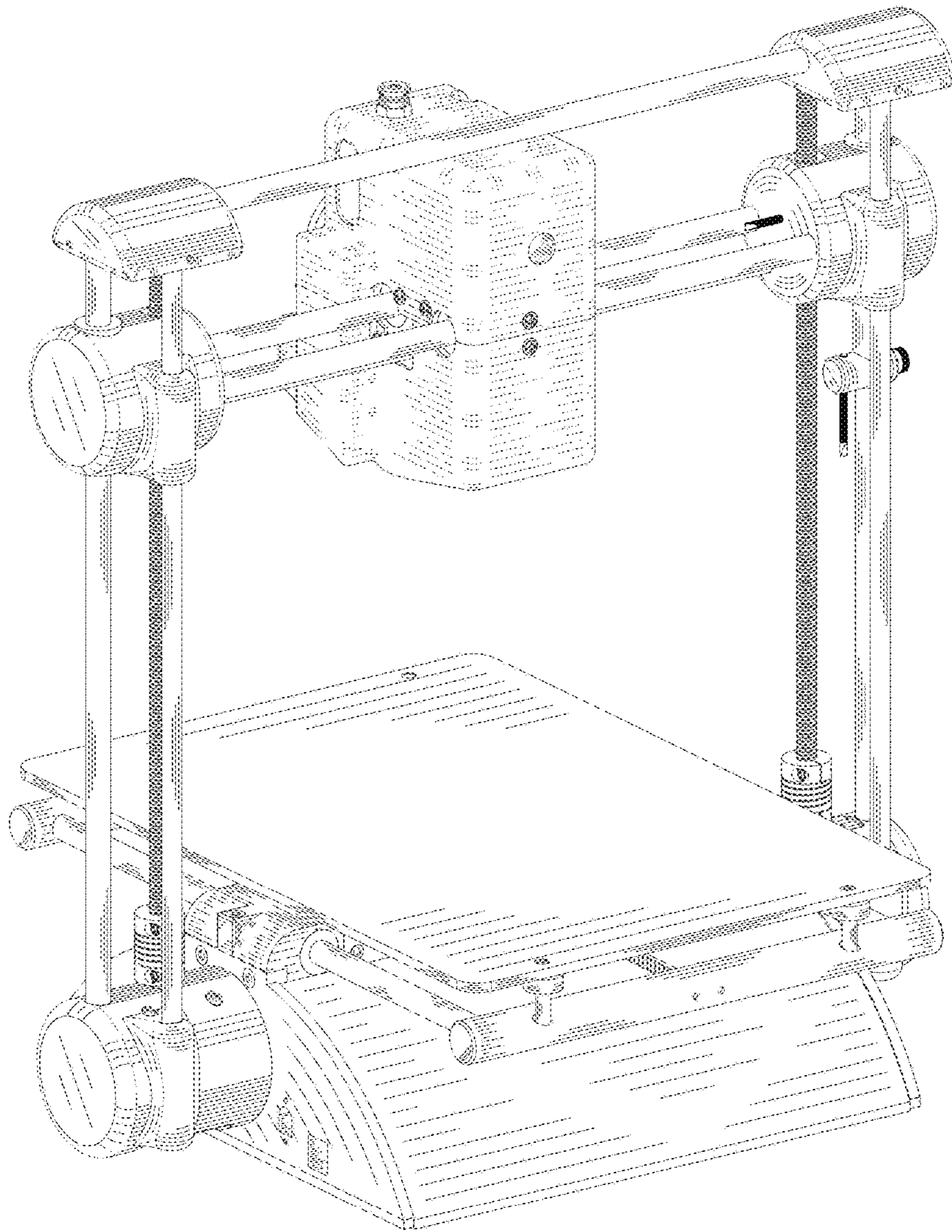


FIG 2

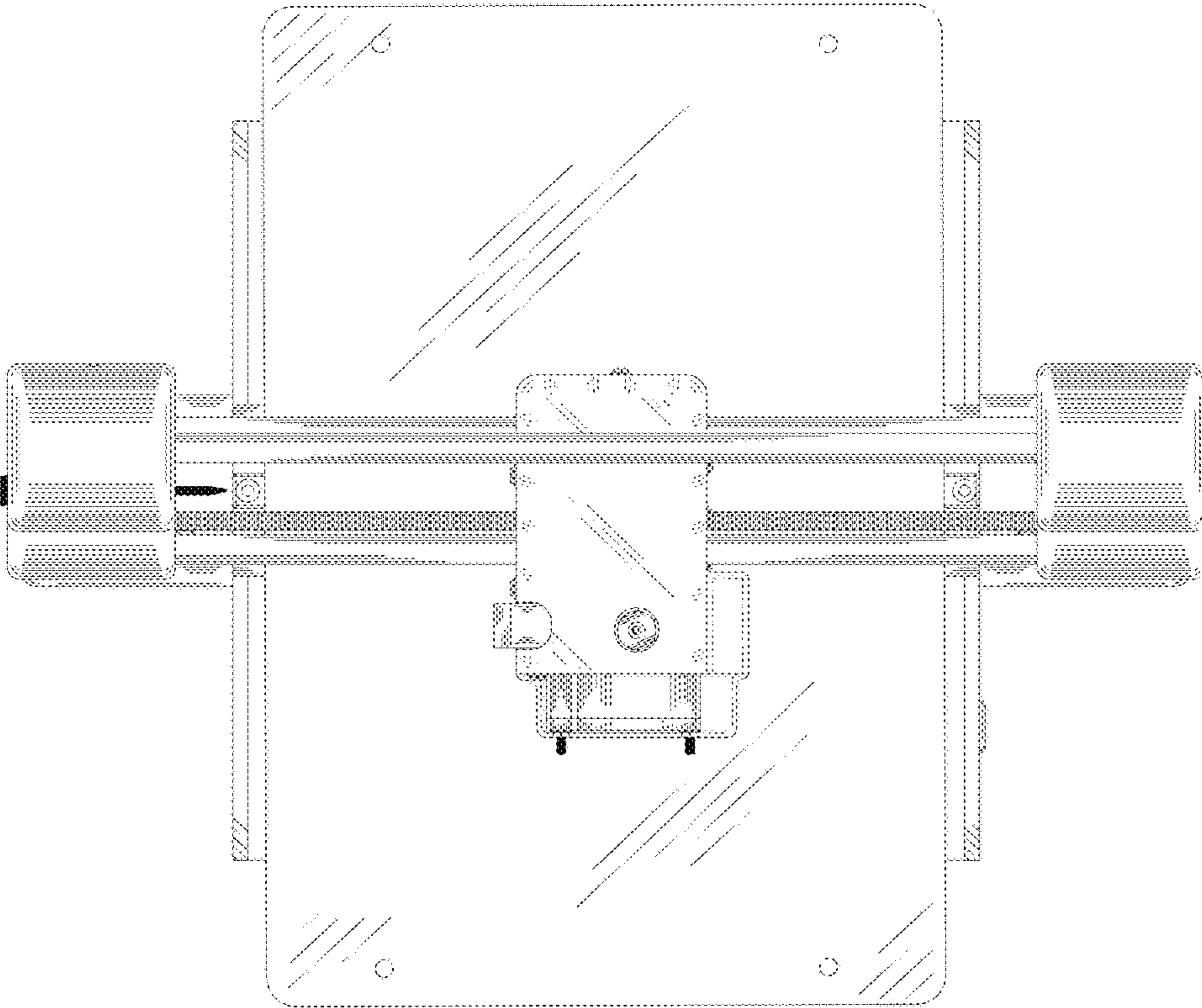


FIG 3

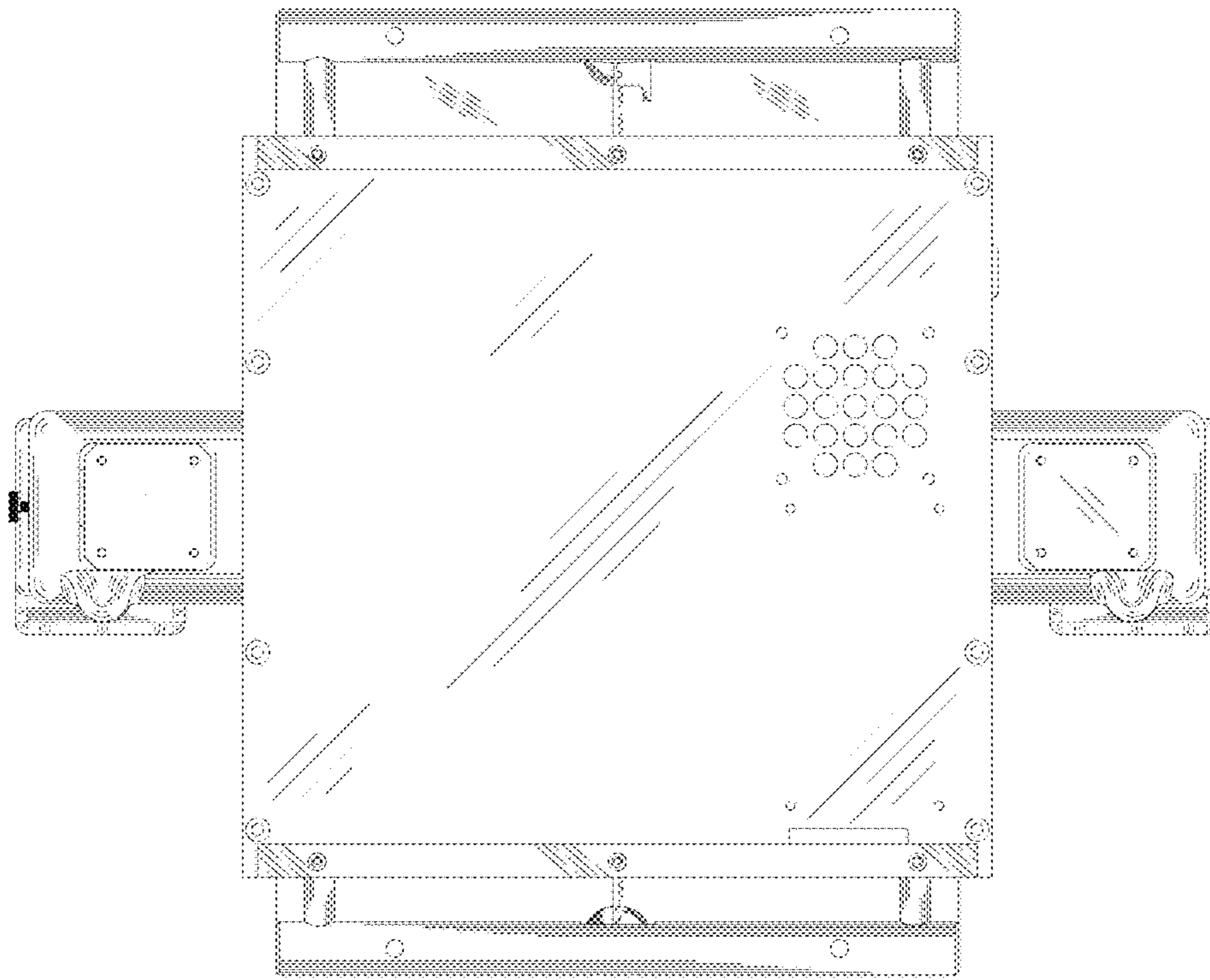


FIG 4

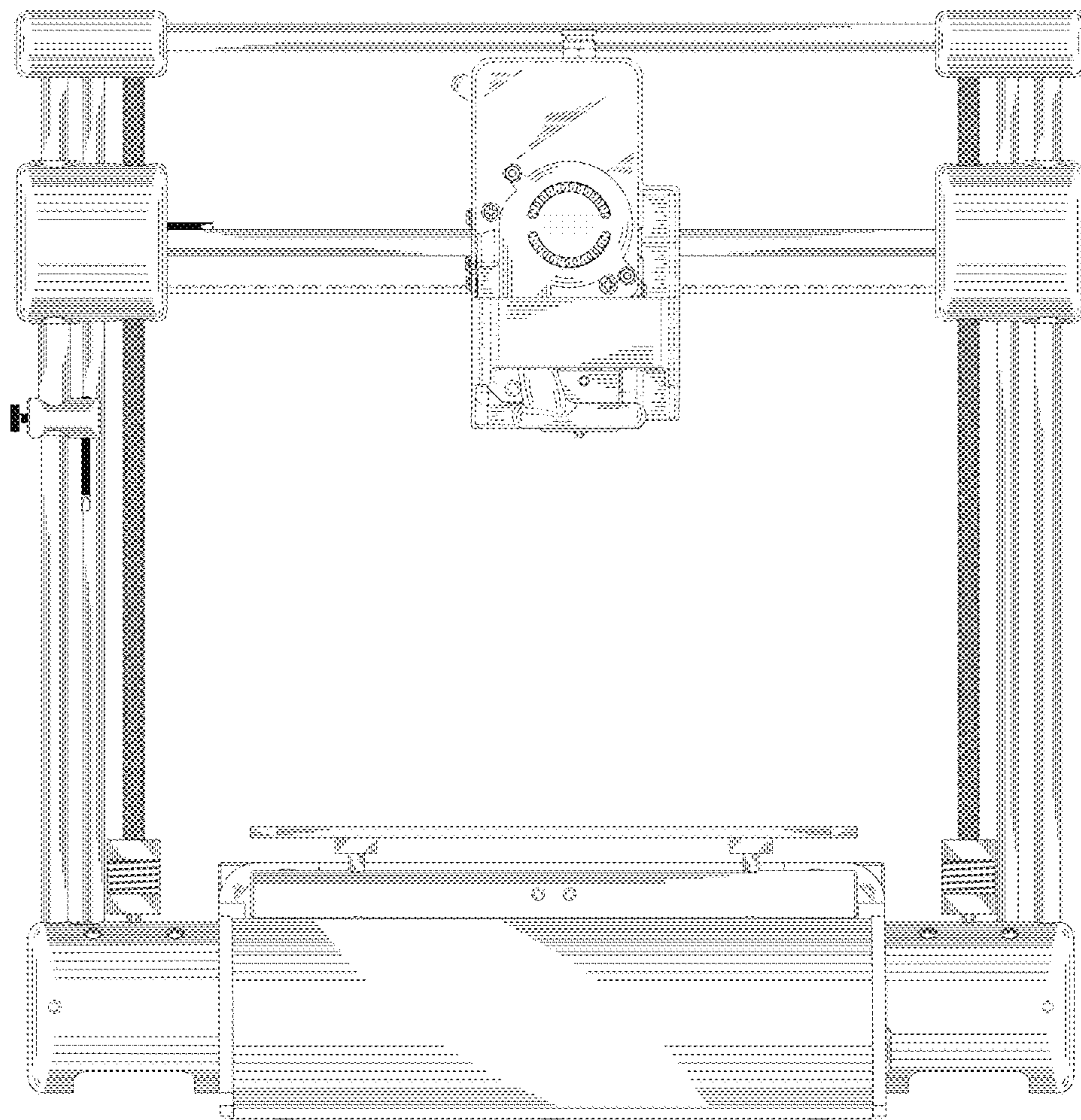


FIG 5

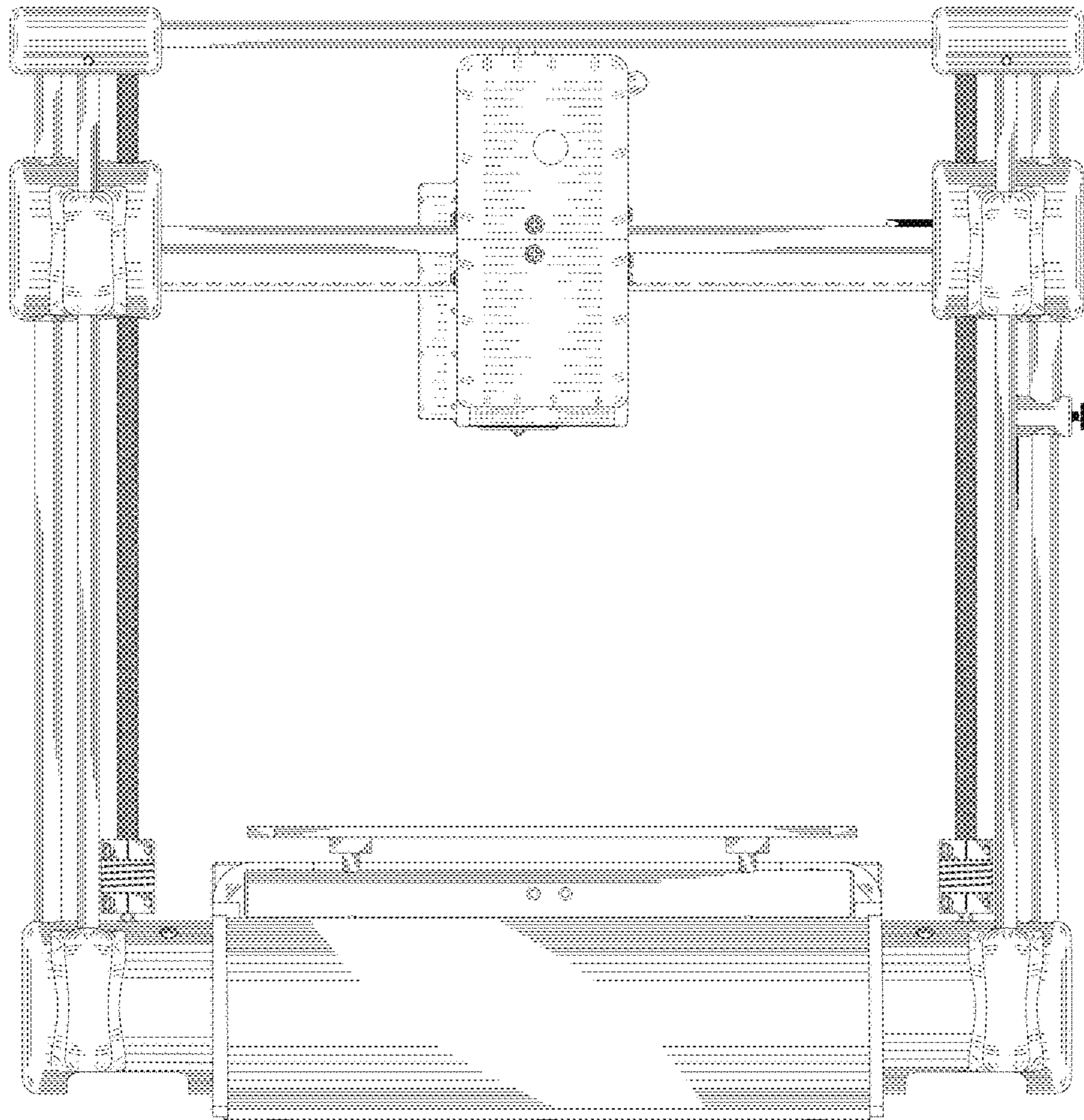


FIG 6

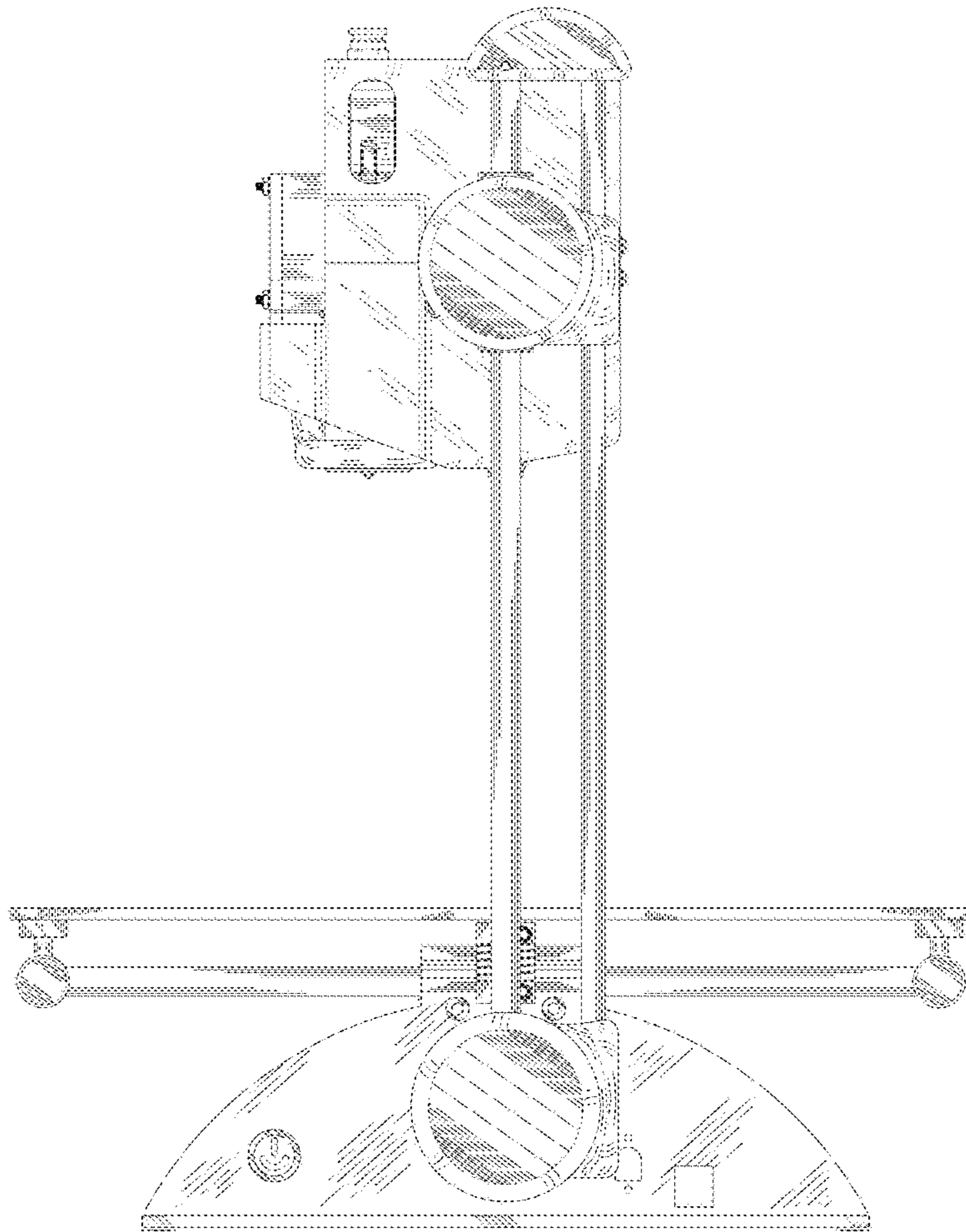


FIG 7

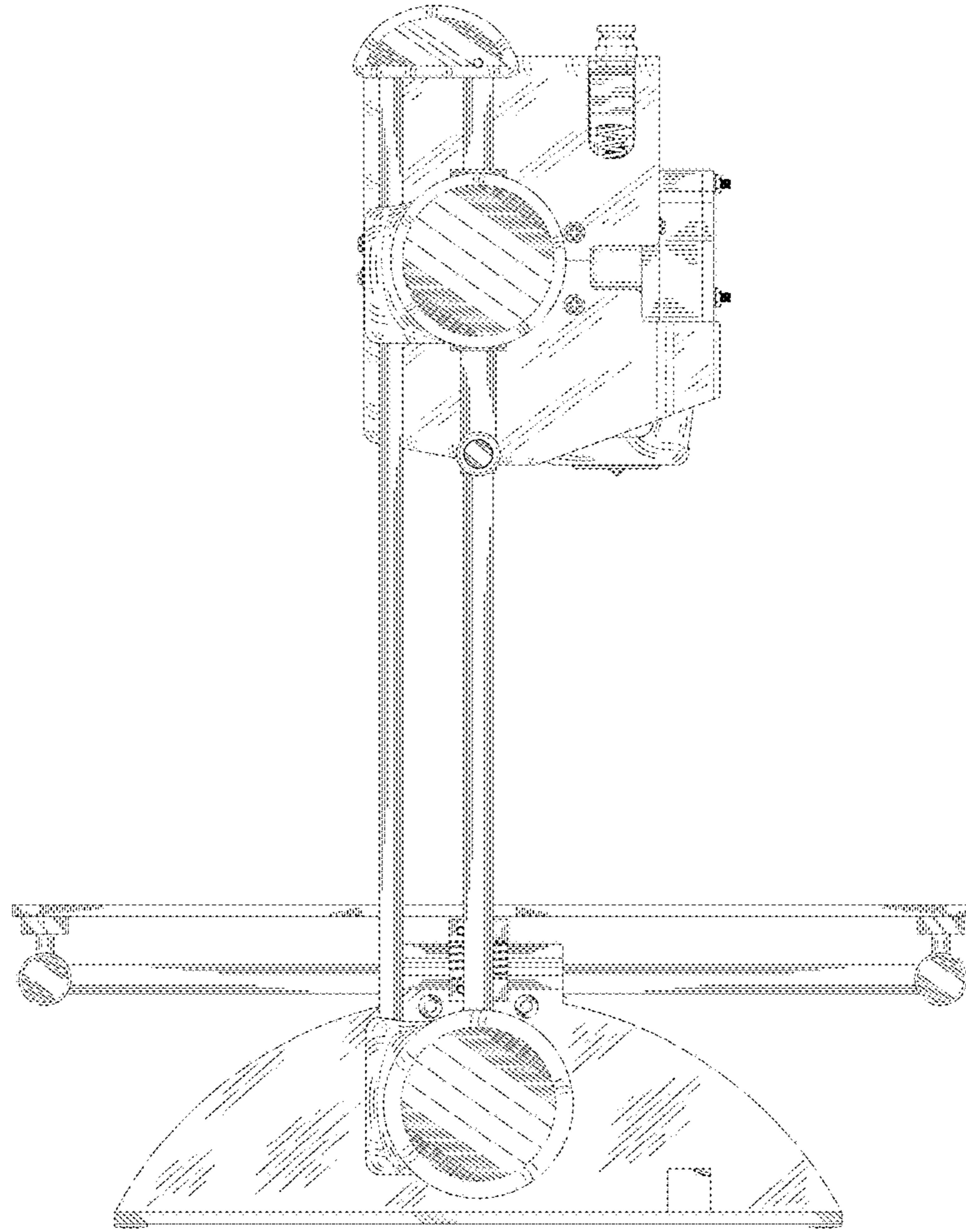


FIG 8