

US00D861748S

(12) **United States Design Patent** (10) **Patent No.:** **US D861,748 S**
Chen (45) **Date of Patent:** **** Oct. 1, 2019**

(54) **3D PRINTER**
(71) Applicant: **Hangzhou Weibin Technology Co., Ltd.**, Zhejiang (CN)
(72) Inventor: **Liang Chen**, Chengdu (CN)
(**) Term: **15 Years**
(21) Appl. No.: **29/615,972**
(22) Filed: **Sep. 1, 2017**
(51) **LOC (12) Cl.** **15-09**
(52) **U.S. Cl.**
USPC **D15/122**
(58) **Field of Classification Search**
USPC D14/301, 303, 420-425, 462-470;
D15/122, 135, 138; D18/6, 7, 35, 46-50,
D18/54, 54.1, 55, 56, 57, 59; D34/1, 6,
D34/7, 8, 11
CPC B28B 1/001; B29C 64/00; B29C 64/20;
B29C 64/124; B29C 64/153; B29C
67/0051; B33Y 30/00
See application file for complete search history.

(56) **References Cited**
U.S. PATENT DOCUMENTS
D732,586 S * 6/2015 Chen D15/122
D732,587 S * 6/2015 Hsu D15/122
D738,410 S * 9/2015 Liu D15/122
D739,885 S * 9/2015 Lee D15/122
D744,813 S * 12/2015 Filo D8/354
D765,745 S * 9/2016 Cheung D15/122

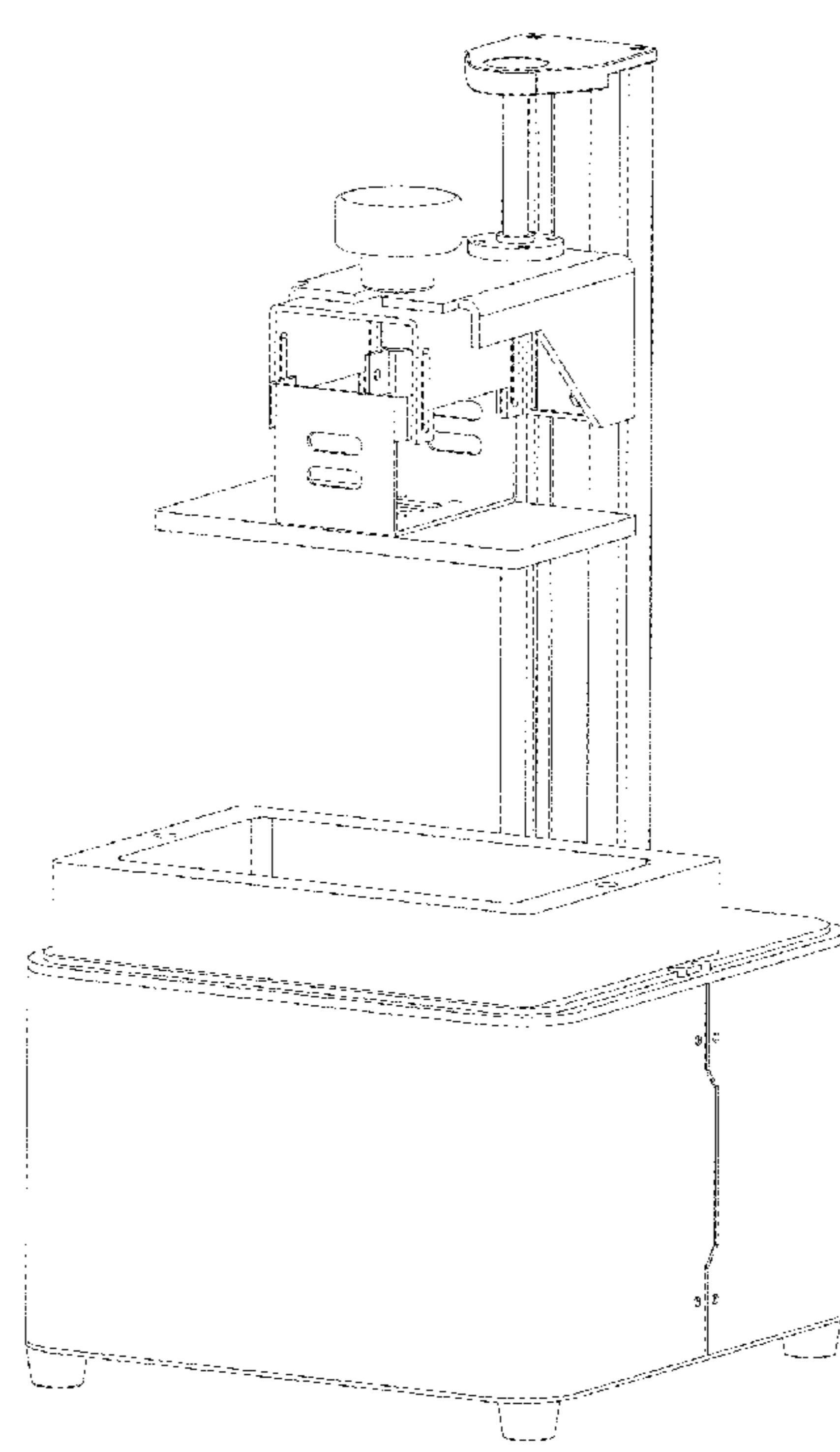
D766,998 S * 9/2016 Kao D15/122
D768,768 S * 10/2016 Takahashi D18/50
D777,227 S * 1/2017 Kao D15/122
D777,809 S * 1/2017 Wu D15/122
D792,487 S * 7/2017 Cruz D15/122
9,878,470 B2 * 1/2018 Livingston B29C 35/0888
2017/0043538 A1 * 2/2017 Chang B33Y 30/00
2017/0045556 A1 * 2/2017 Chen G01R 19/2513
2017/0361528 A1 * 12/2017 Busato B29C 64/124

* cited by examiner
Primary Examiner — Garth Rademaker
Assistant Examiner — Fritzgerald L Butac
(74) *Attorney, Agent, or Firm* — Prakash Nama; Global IP Services, PLLC

(57) **CLAIM**
The ornamental design for a 3D printer, as shown and described.

DESCRIPTION
FIG. 1 is a front elevational view of a 3D printer showing my new design;
FIG. 2 is a rear elevational view thereof;
FIG. 3 is a left side view thereof;
FIG. 4 is a right side view thereof;
FIG. 5 is a top plan view thereof;
FIG. 6 is a bottom plan view thereof;
FIG. 7 is a perspective view thereof; and,
FIG. 8 is another perspective view thereof.
The broken lines show portions of a 3D printer and form no part of the claimed design.

1 Claim, 7 Drawing Sheets



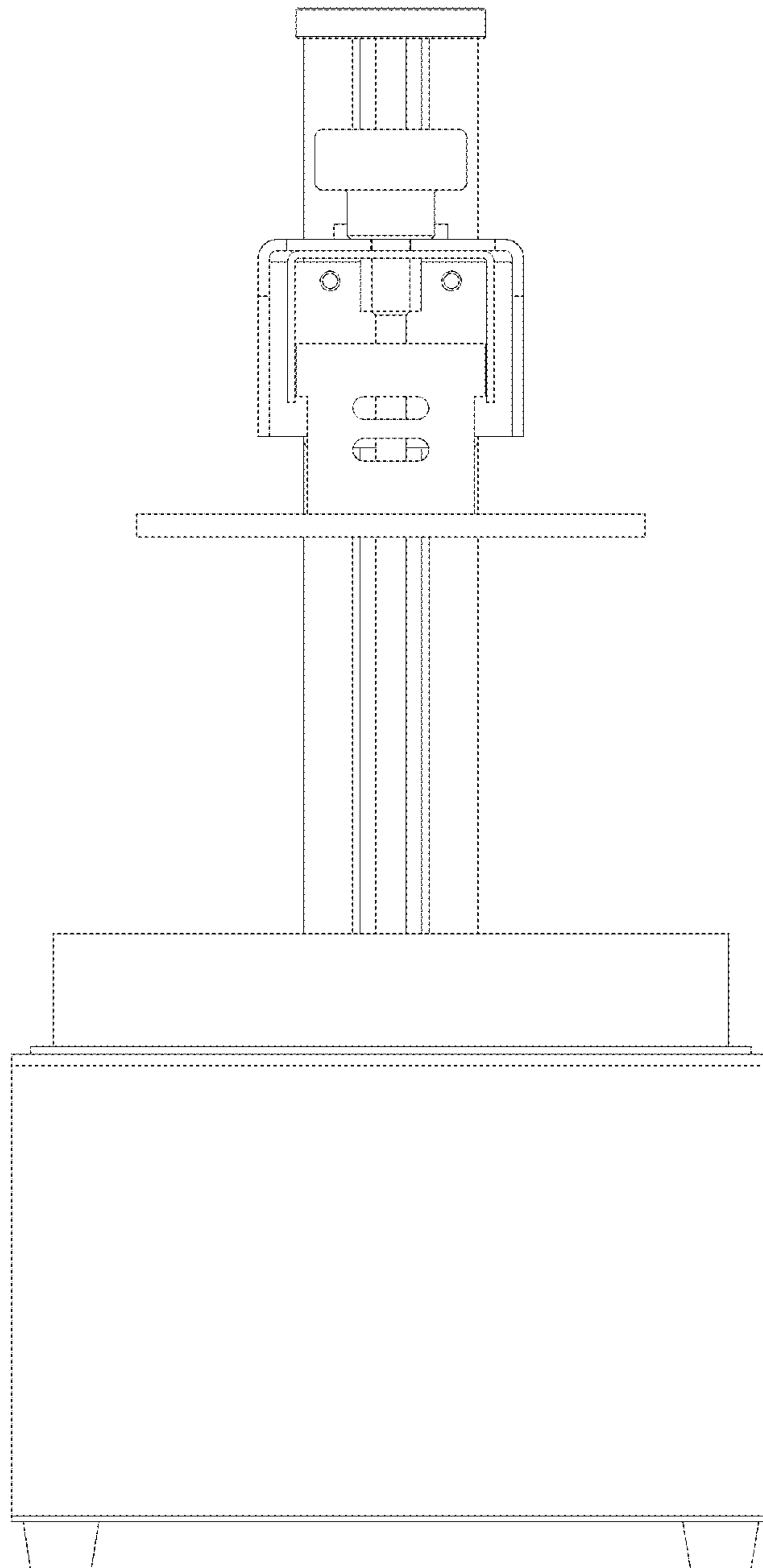


Fig. 1

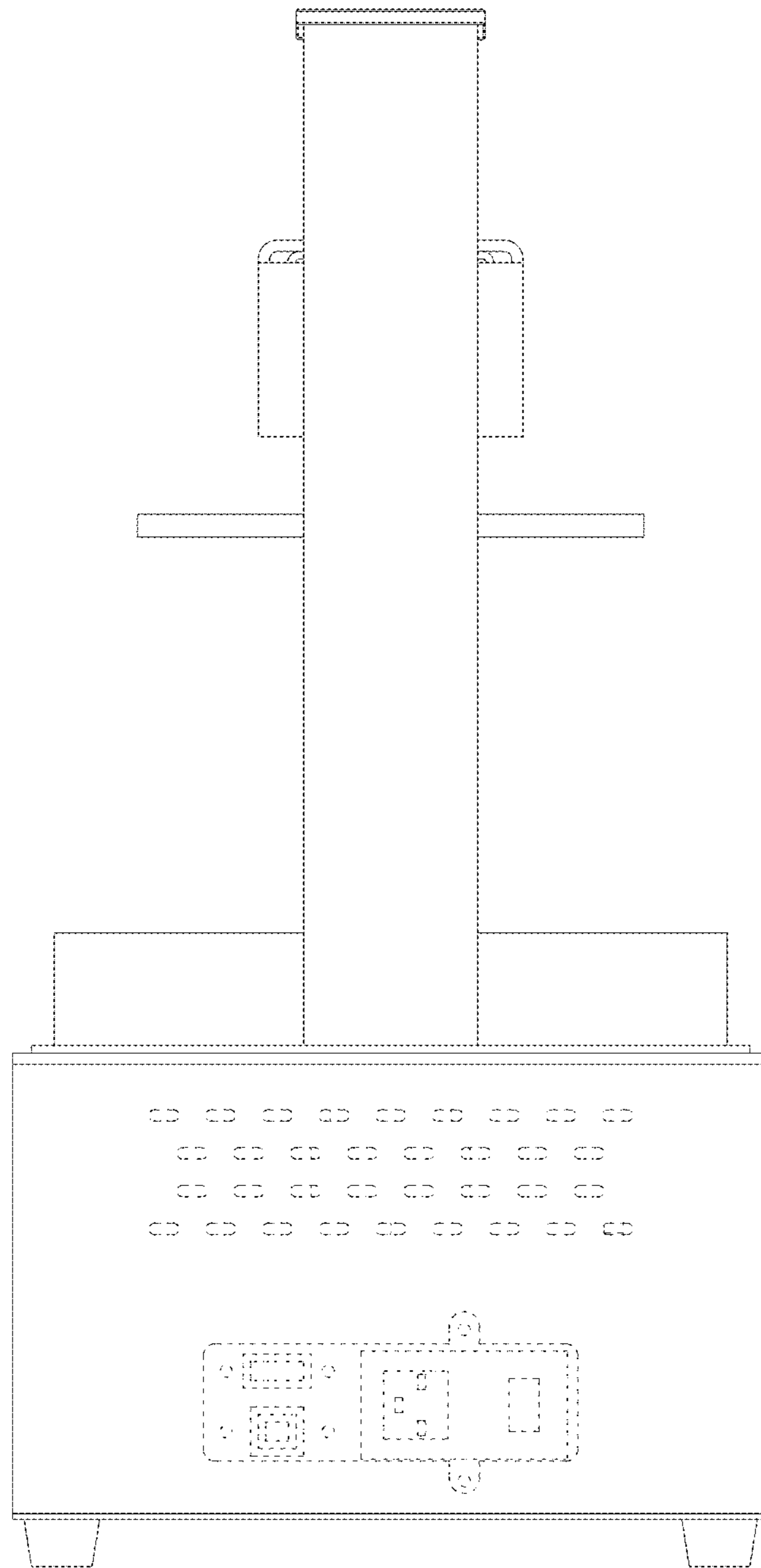


Fig. 2

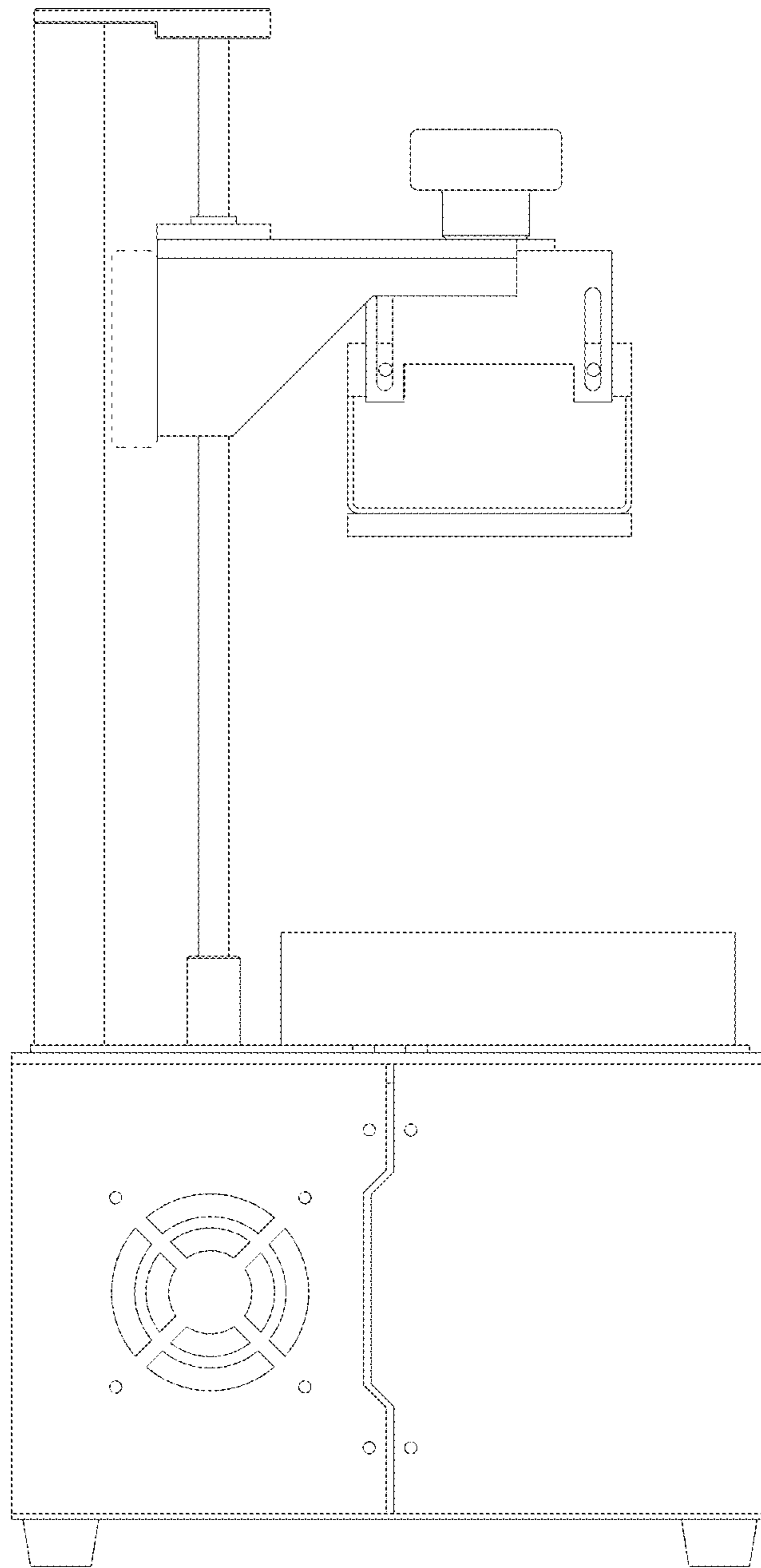


Fig. 3

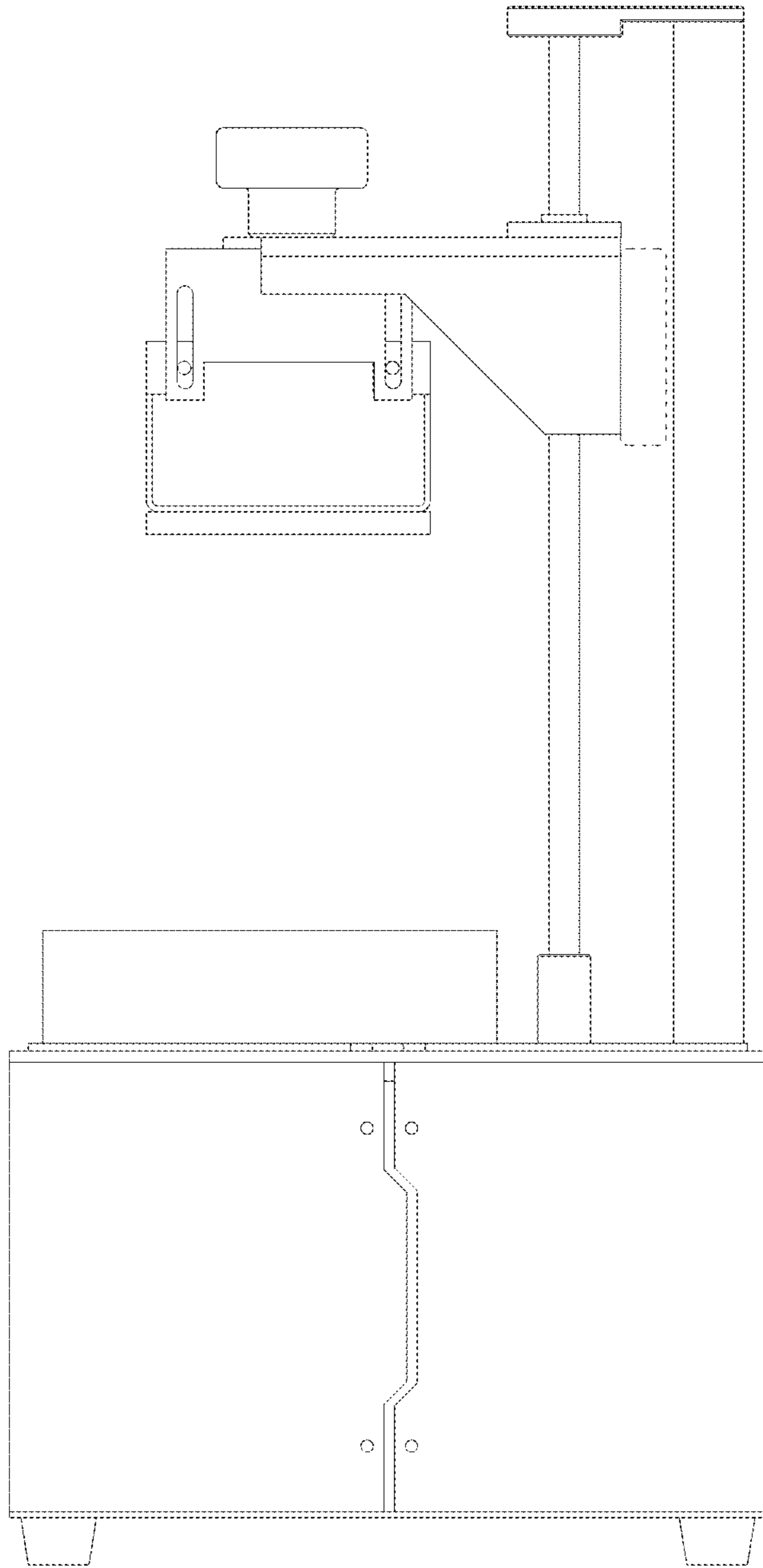


Fig. 4

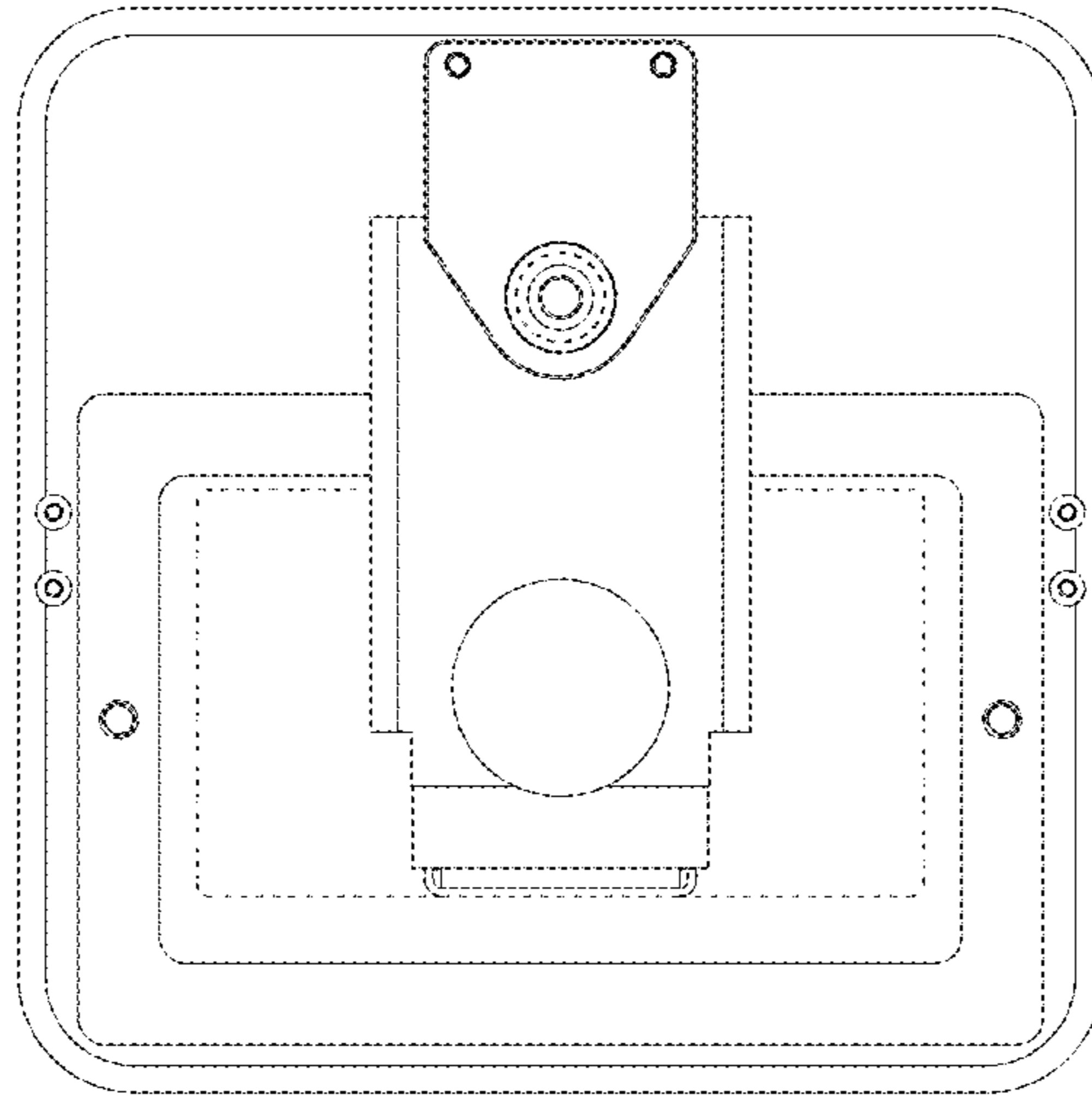


Fig. 5

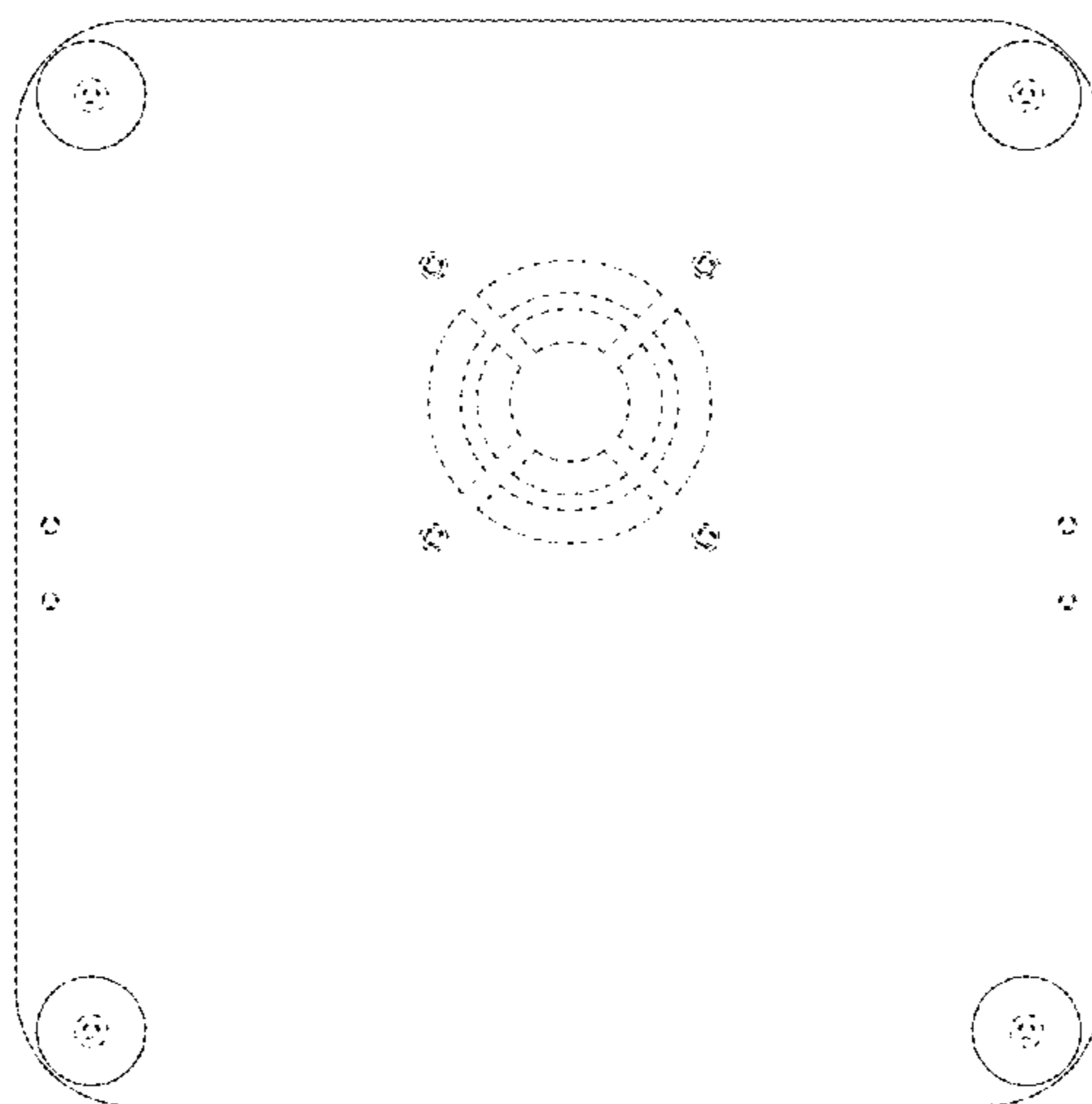


Fig. 6

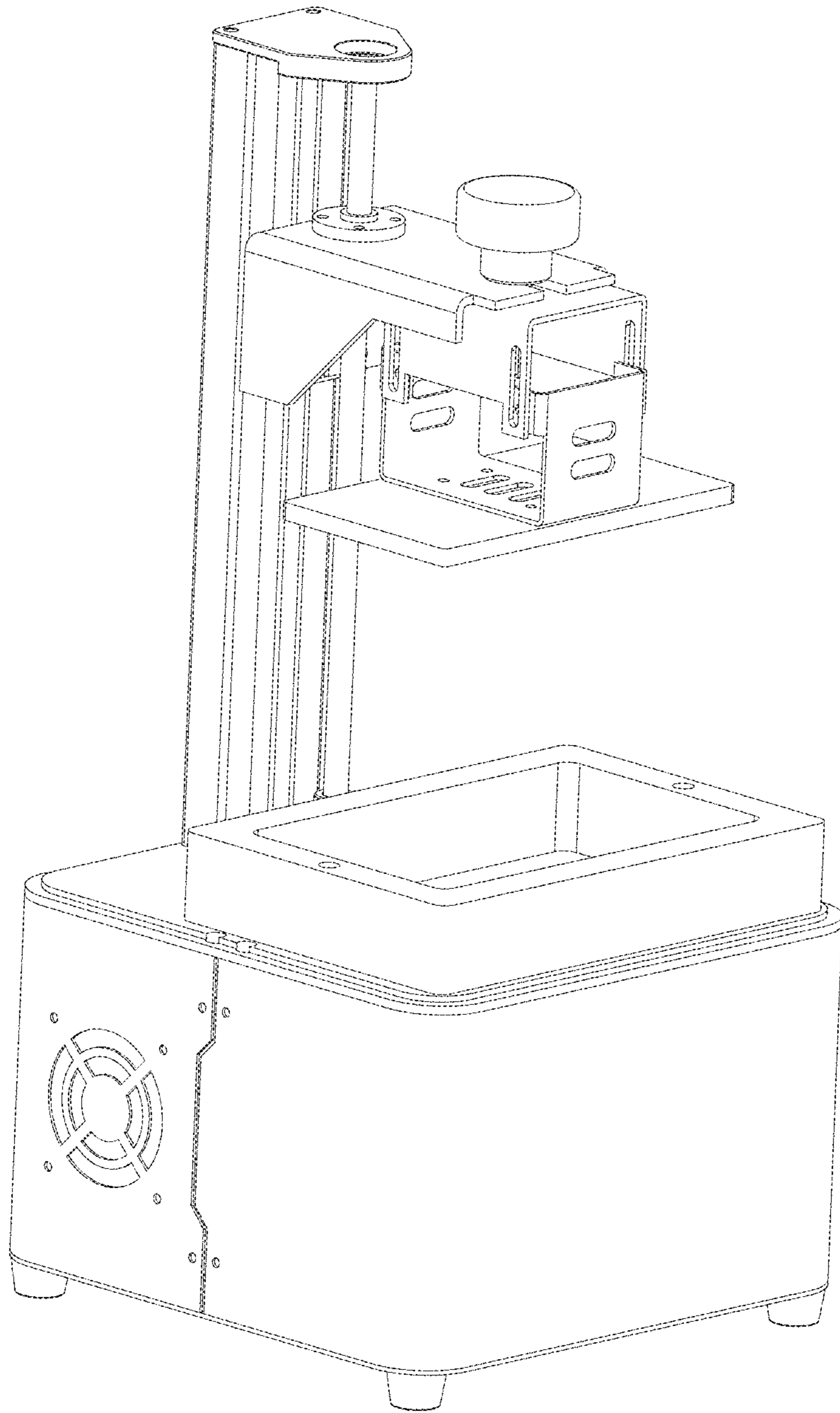


Fig. 7

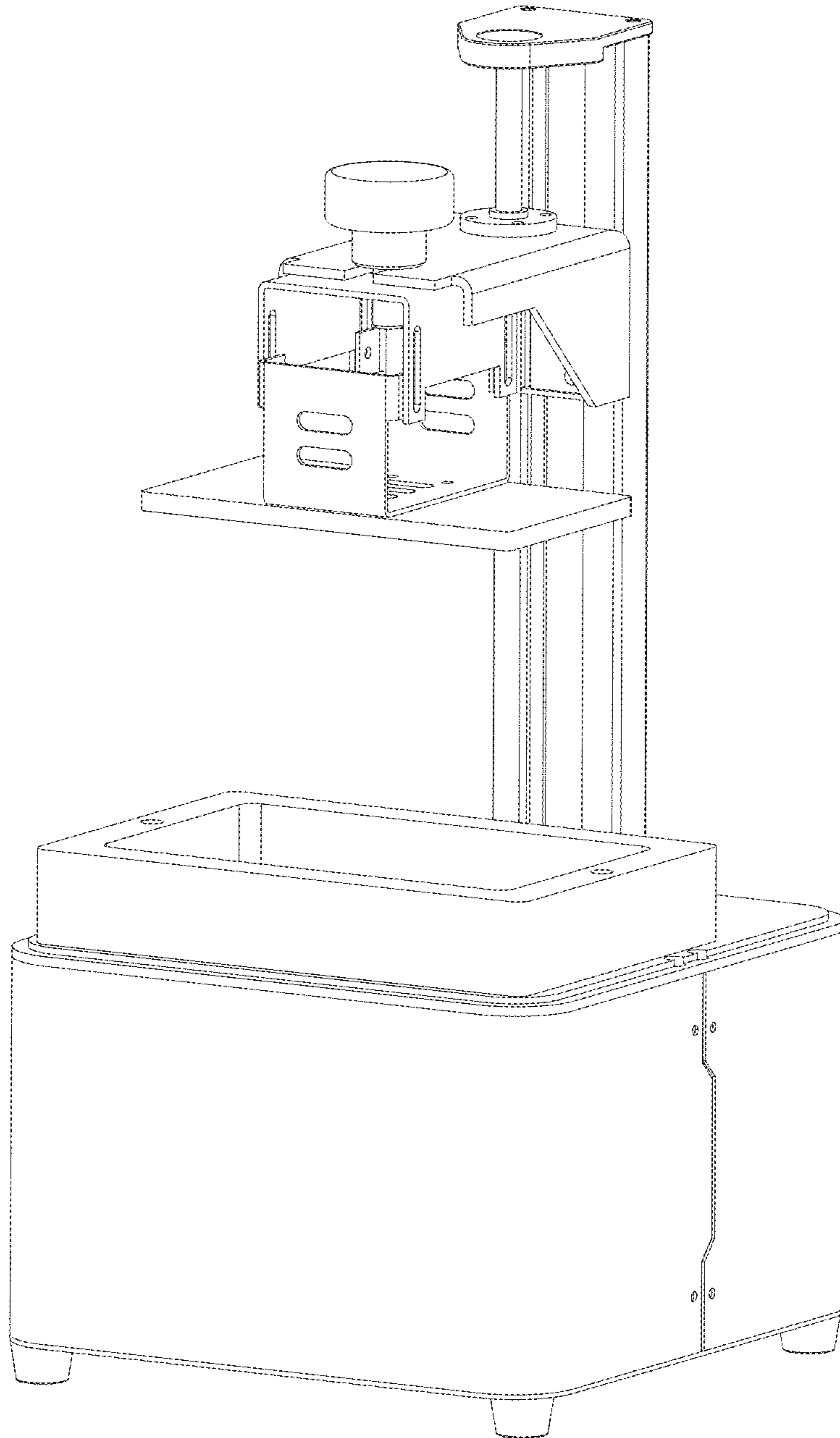


Fig. 8